



US00D807484S

(12) **United States Design Patent** (10) **Patent No.:** **US D807,484 S**  
**Sevy** (45) **Date of Patent:** **\*\* Jan. 9, 2018**

(54) **RAPID RELOADING, DROP-IN MODULAR DIFFUSER**

D491,258 S 6/2004 Sevy  
D492,020 S 6/2004 Sevy  
D509,893 S 9/2005 Sevy

(Continued)

(71) Applicant: **Earl Vaughn Sevy**, Cedar City, UT (US)

FOREIGN PATENT DOCUMENTS

(72) Inventor: **Earl Vaughn Sevy**, Cedar City, UT (US)

DE 202013105614 U1 \* 2/2014 ..... A61L 2/00  
FR 2873587 A1 \* 2/2006 ..... A61L 9/12

(\*\*) Term: **15 Years**

OTHER PUBLICATIONS

(21) Appl. No.: **29/555,066**

Tetra Whisper Aquarium Air Pump 300, Aquarium Guys, Oct. 8, 2008 p. 1, <http://www.aquariumguys.com/tetraairpump4.html>.

(22) Filed: **Feb. 18, 2016**

(Continued)

(51) **LOC (11) Cl.** ..... **23-04**

(52) **U.S. Cl.**

USPC ..... **D23/366**

(58) **Field of Classification Search**

USPC ..... D23/356-369, 341, 354, 213, 316, 386, D23/388, 209; D31/31; D9/435; 261/DIG. 17, DIG. 42, DIG. 65, DIG. 88, 261/DIG. 89

CPC ... A61L 9/00; A61L 9/02; A61L 9/022; A61L 9/03; A61L 9/032; A61L 9/035; A61L 9/037; A61L 9/04; A61L 9/12; A61L 9/127; A61L 9/14; B05B 7/06; B05B 7/30; B05B 7/32; B05B 1/28; B05B 17/04; A61M 11/00; E21B 43/00; E21B 43/34; E21B 43/38

See application file for complete search history.

*Primary Examiner* — Sheryl Lane

*Assistant Examiner* — Samantha N Wood

(74) *Attorney, Agent, or Firm* — Pate Baird, PLLC

(57) **CLAIM**

The ornamental design for a rapid reloading, drop-in, modular diffuser, as shown and described.

**DESCRIPTION**

FIG. 1 is a top, perspective, exploded view of the rapid reloading, drop-in modular diffuser in accordance with the design, shown without any other outer housing;

FIG. 2 is a top perspective, assembled view thereof;

FIG. 3 is a bottom perspective view thereof;

FIG. 4 is a top plan view thereof;

FIG. 5 is a bottom plan view thereof;

FIG. 6 is a front elevation view thereof;

FIG. 7 is a rear elevation view thereof;

FIG. 8 is a left side elevation view thereof; and,

FIG. 9 is a right side elevation view thereof.

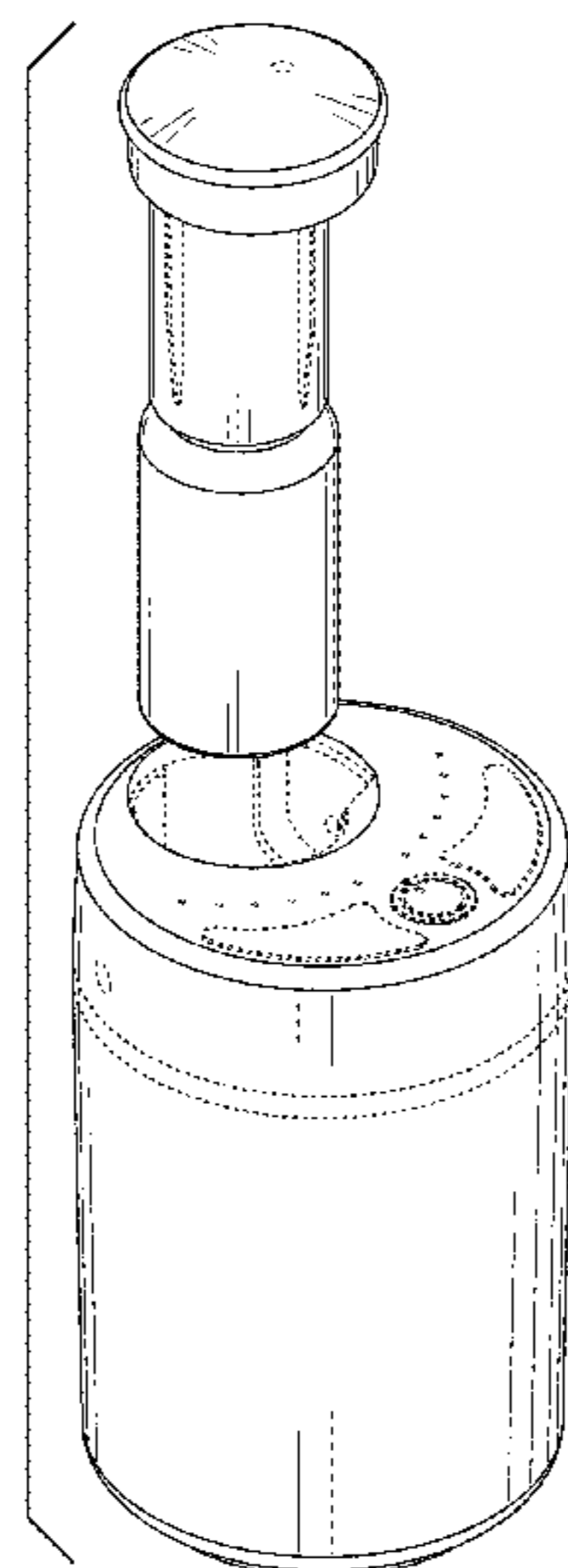
The broken line showing portions of the rapid reloading, drop-in modular diffuser are included for the purpose of illustrating portions of the article and forms no part of the claimed design.

(56) **References Cited**

U.S. PATENT DOCUMENTS

3,641,757 A 2/1972 Rehn  
D282,283 S \* 1/1986 Weigl ..... D24/129  
5,137,432 A 8/1992 Tsai  
5,314,529 A 5/1994 Tilton et al.  
D350,190 S \* 8/1994 Clawson ..... D23/358  
D434,843 S \* 12/2000 Zaragoza ..... D23/366  
6,168,392 B1 1/2001 Takano  
6,217,281 B1 4/2001 Jeng et al.  
6,364,637 B1 4/2002 Hase et al.

**1 Claim, 5 Drawing Sheets**



(56)

References Cited

U.S. PATENT DOCUMENTS

D520,129	S	5/2006	Sevy	
D526,710	S	8/2006	Sevy	
7,407,118	B2	8/2008	Sevy	
D582,533	S *	12/2008	Bodine	..... D23/366
7,476,870	B2 *	1/2009	Hopaluk	..... C02F 1/325 210/748.1
D590,931	S *	4/2009	Kennedy	..... D23/366
7,712,683	B2	5/2010	Robert et al.	
7,878,418	B2	2/2011	Sevy	
7,930,068	B2	4/2011	Robert et al.	
D639,386	S *	6/2011	Cummings	..... D23/213
D682,909	S *	5/2013	Kim	..... 24/115 R
D697,605	S *	1/2014	Anderson, Jr.	..... D23/399
D716,427	S *	10/2014	Lim	..... D23/364
2007/0159422	A1 *	7/2007	Blandino	..... A01M 1/2033 345/82
2008/0031784	A1 *	2/2008	Bistrizky	..... A01M 1/2033 422/124

OTHER PUBLICATIONS

Optima Air Pump A807, Aquarium Guys, Oct. 8, 2008, p. 1, <http://www.aquariumguys.com/optimaairpump.html>.  
 Silent Air X-4 Air Pump, Aquarium Guys, Oct. 8, 2008, p. 1, <http://www.aquariumguys.com/silentairpump4.html>.  
 Whisper 60 Aquarium Air Pump, Aquarium Guys, Oct. 8, 2008, p. 1, <http://www.aquariumguys.com/tetra-whisper60-air-pump.html>.  
 Rena Air 400 Air Pump 702E, Aquarium Guys, Oct. 8, 2008, p. 1, <http://www.aquariumguys.com/renaairpump4.html>.

Tom Stellar Air Pumps S-30, Fish Tanks Direct, Oct. 8, 2008, p. 1, <http://www.fishtanksdirect.com/index.asp?PageAction=Viewprod&ProdID=2102>.  
 Aroma-Globe™ Essential Oil Diffuser/Nebulizer Diffuser World, Oct. 08, 2008, p. 1 <http://www.diffuserworld.com/aromaglobATM-essential-oil-diffusernebulizer-p-10.html>.  
 Nebulizing Diffuser, Betterherbs, Oct. 8, 2008, <http://betterherbs.serrahost.com/Detail.bok?no=397>.  
 Auroma Nebulizer for the House, Shop.com, Oct. 8, 2008, p. 1 [http://www.shop.com/Auroma\\_Nebulizer\\_for\\_the\\_House\\_diffuser-46805905-p!.shtml](http://www.shop.com/Auroma_Nebulizer_for_the_House_diffuser-46805905-p!.shtml).  
 Aura Cacia Electric Diffuser House Model, Shop.com, Oct. 8, 2008, p. 1, [http://www.shop.com/Aura\\_Cacia\\_Electric\\_Diffuser\\_House\\_Model\\_diffuser-46805768-p!.shtml](http://www.shop.com/Aura_Cacia_Electric_Diffuser_House_Model_diffuser-46805768-p!.shtml).  
 Essential Air Room Diffusers, Leyden House, Oct. 8, 2008, p. 1 <http://www.leydenhouse.com/diffusers.html>.  
<http://www.air-aroma.com/diffusers>, Mar. 21, 2013.  
[http://www.prolitec.com/appliances\\_commercial.htm](http://www.prolitec.com/appliances_commercial.htm), Mar. 21, 2013.  
<http://scentair.com/why-scentair-solutions/>, Mar. 21, 2013.  
<http://www.brandaroma.com/products/>, Mar. 21, 2013.  
<http://www.e2aroma.com/appliances/smart-air-maxi/>, Mar. 21, 2013.  
<http://www.scentaustralia.com.au/index.php/products/scent-diffuser-zephyr>, Mar. 21, 2013.  
<http://www.voitair.com/scent-systems>, Mar. 21, 2013.  
<http://www.fragrancemachine.com/>, Mar. 21, 2013.  
 Spa Room Purilizer Assortment with instructions, <http://www.sparoom.com/catalog>, webpage, Sep. 1, 2015.  
 Floracopeia, Inc., S3 Nebulizing Diffuser, User Manual Apr. 2015.  
 Shenzhen Jing Xin, Sharing Together Pure Aromatic Fresh Air Catalog, Apr. 2015.

\* cited by examiner

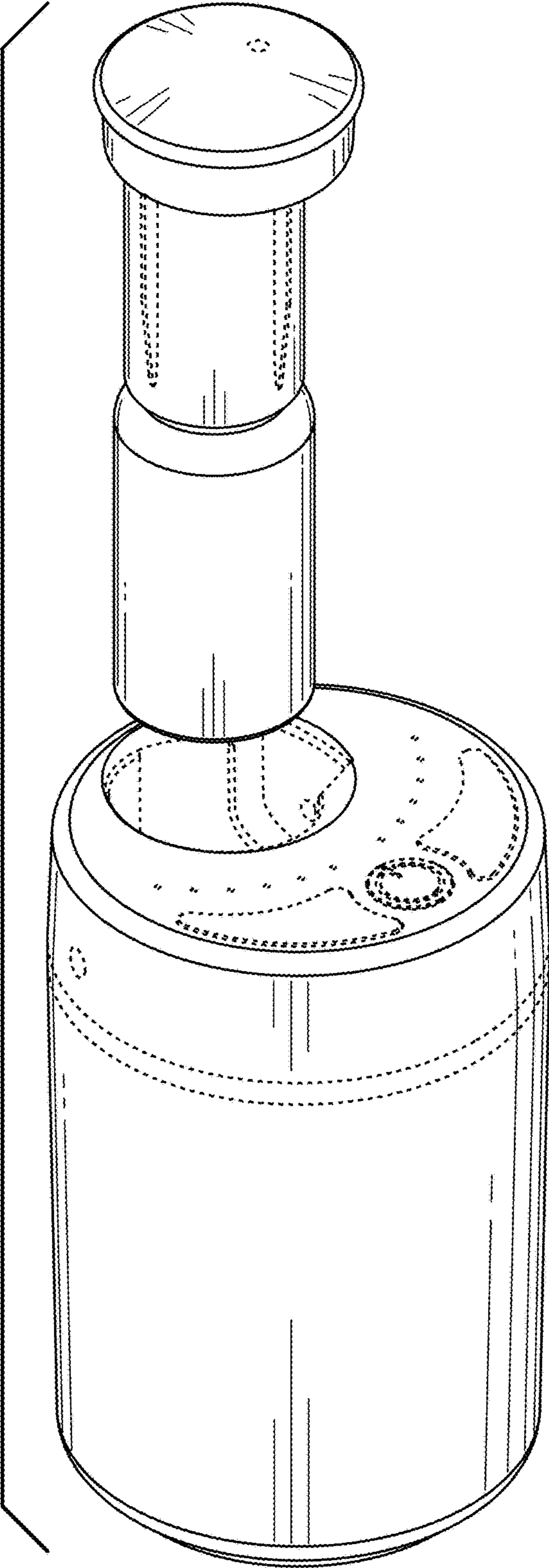


FIG. 1

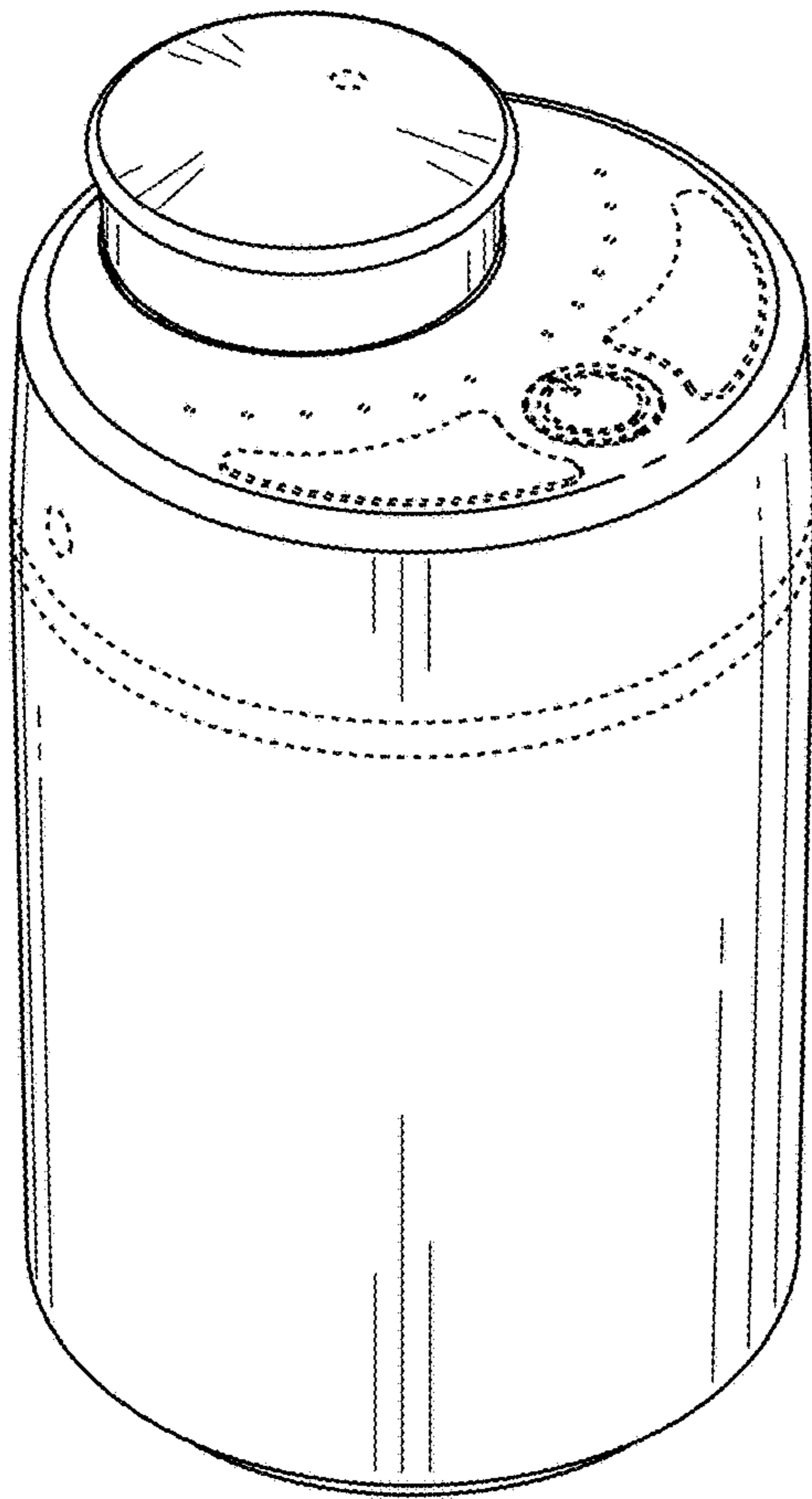


FIG. 2

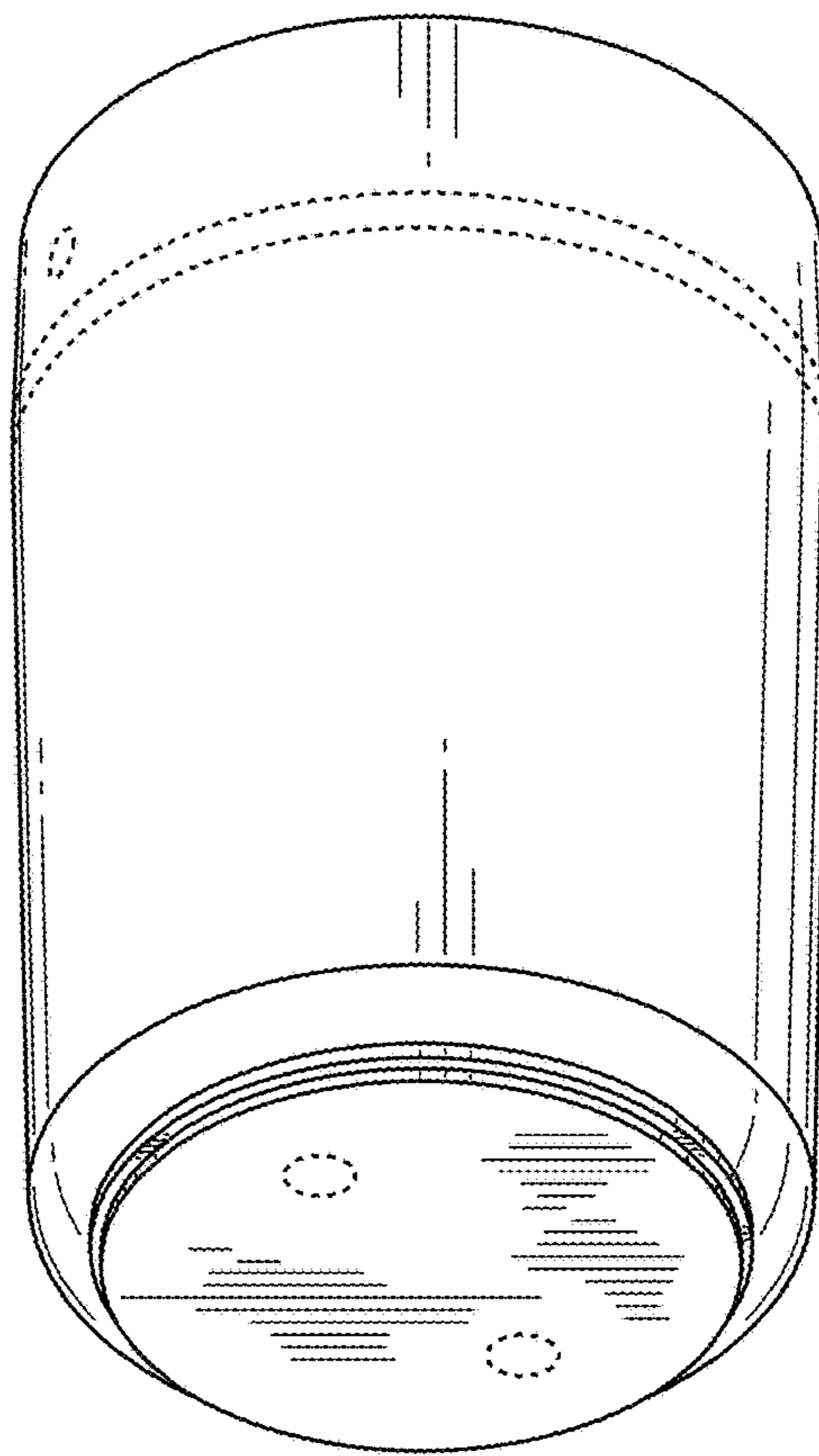


FIG. 3

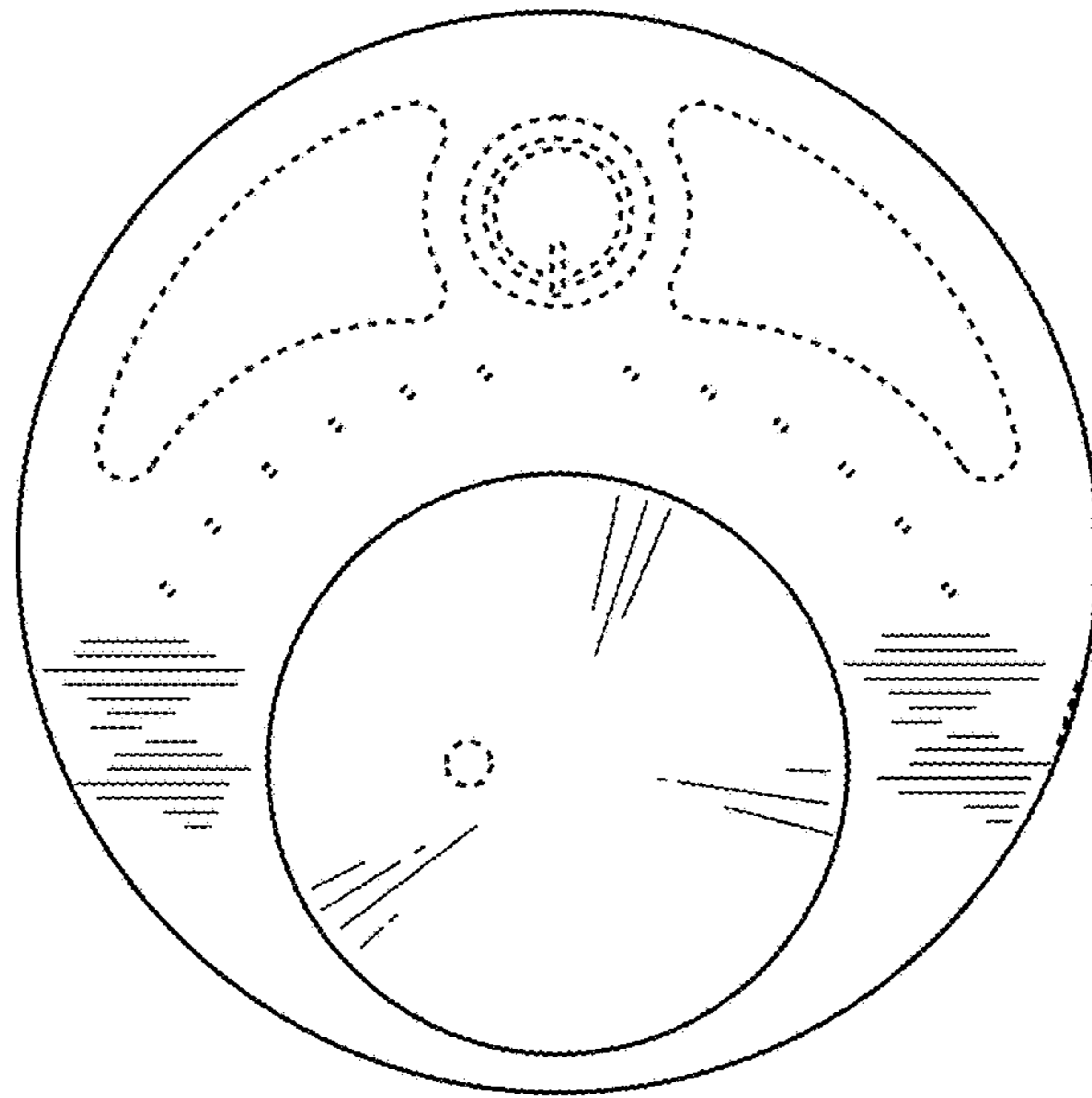


FIG. 4

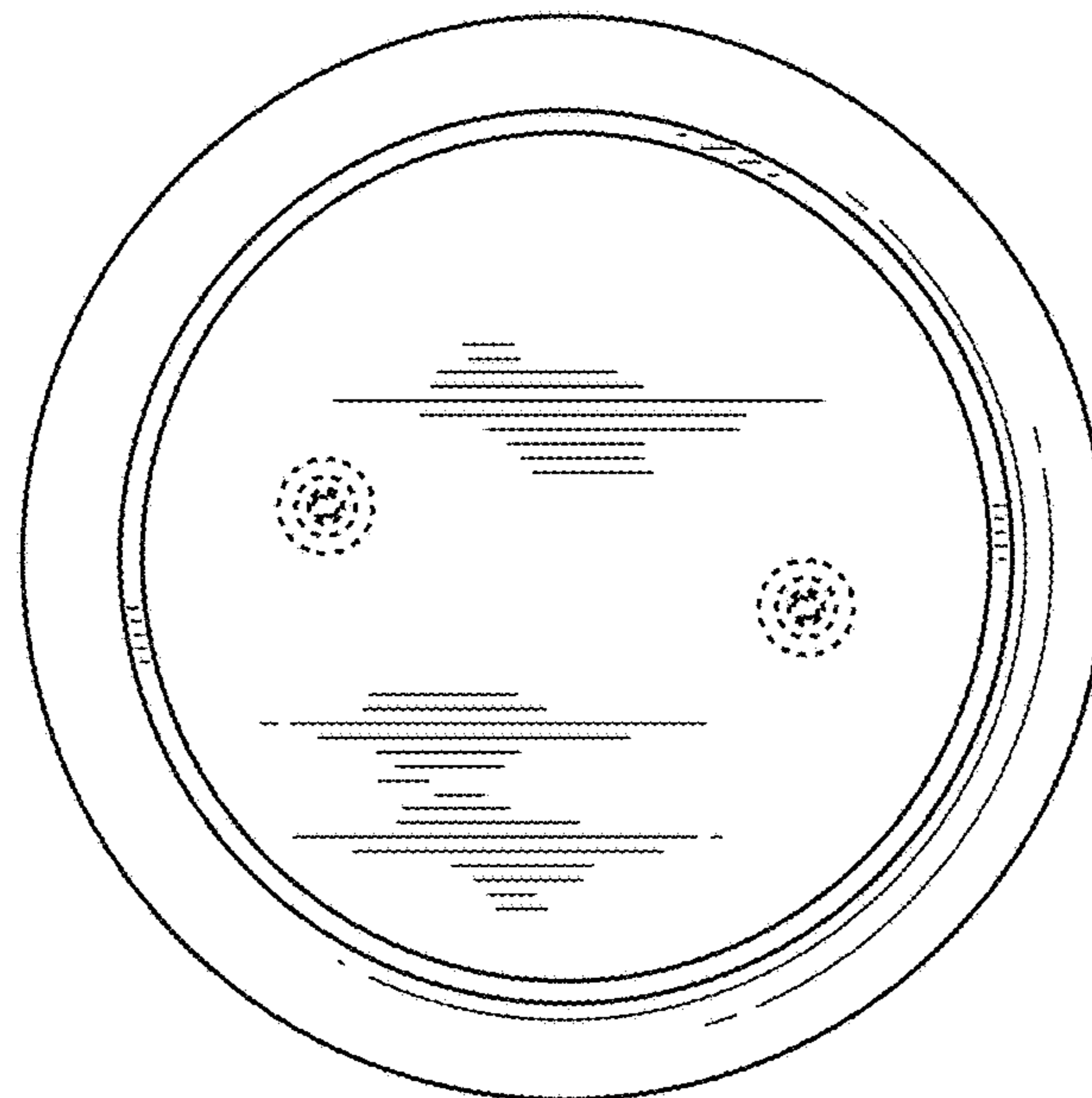


FIG. 5

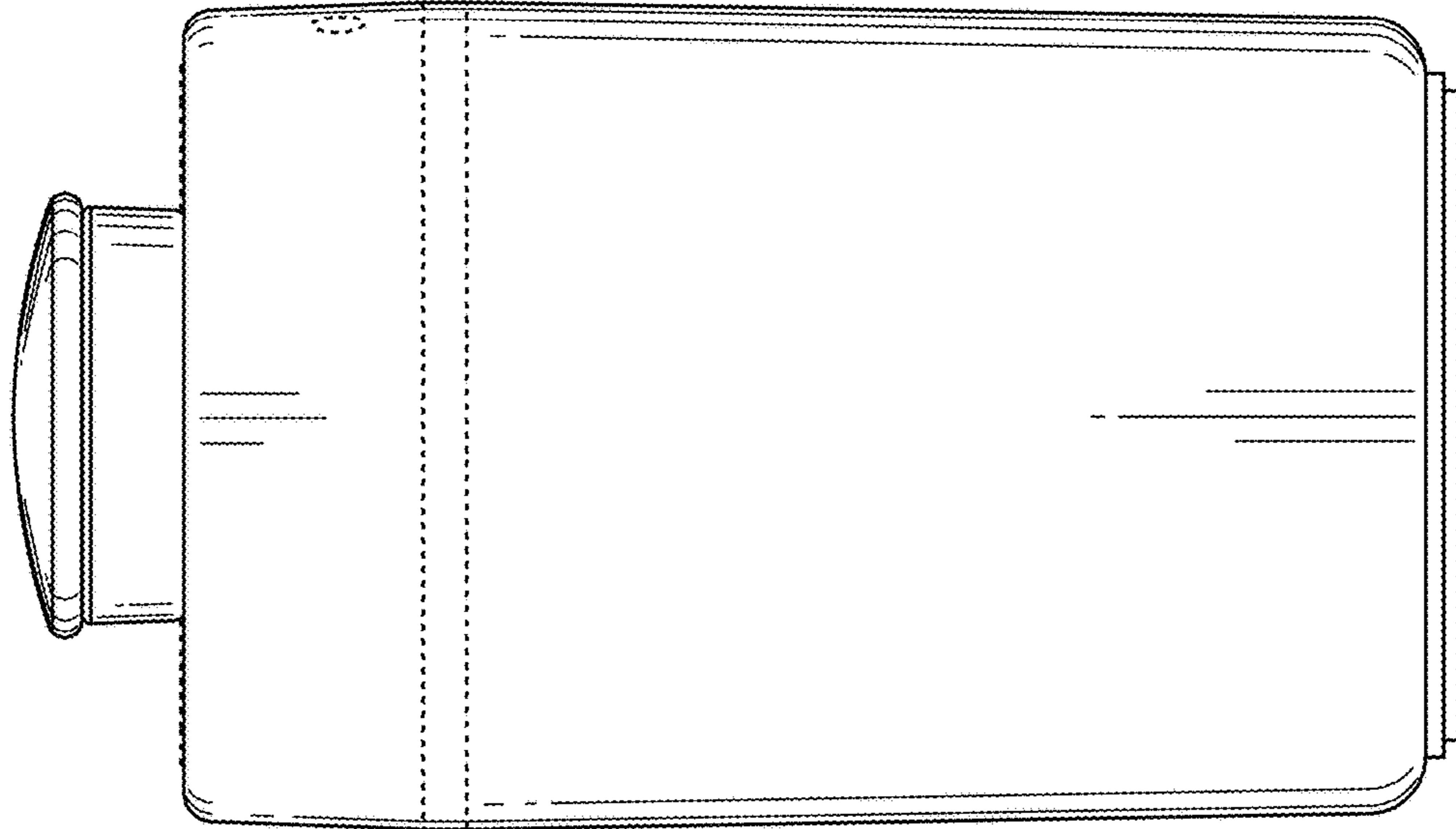


FIG. 7

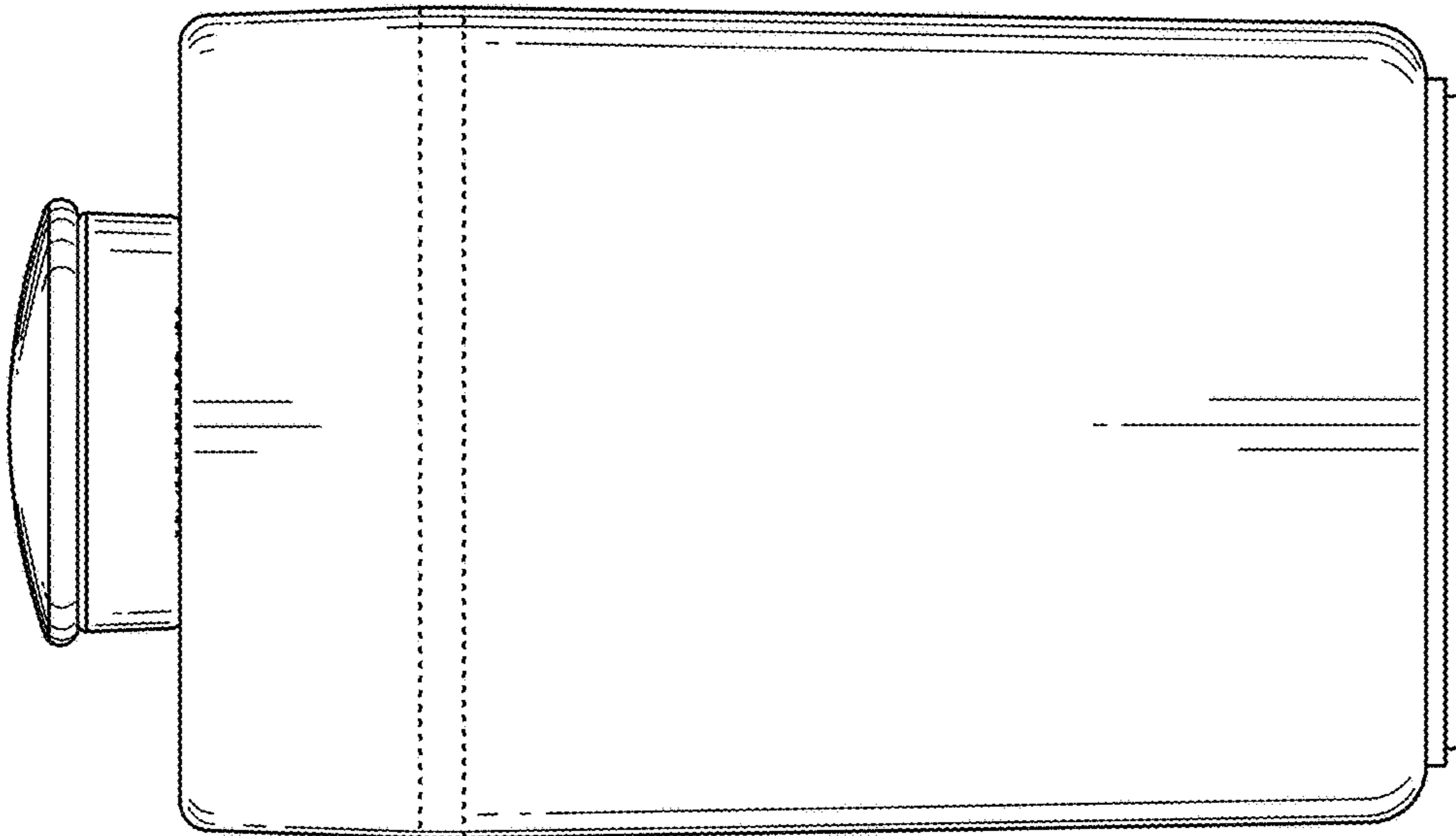


FIG. 6

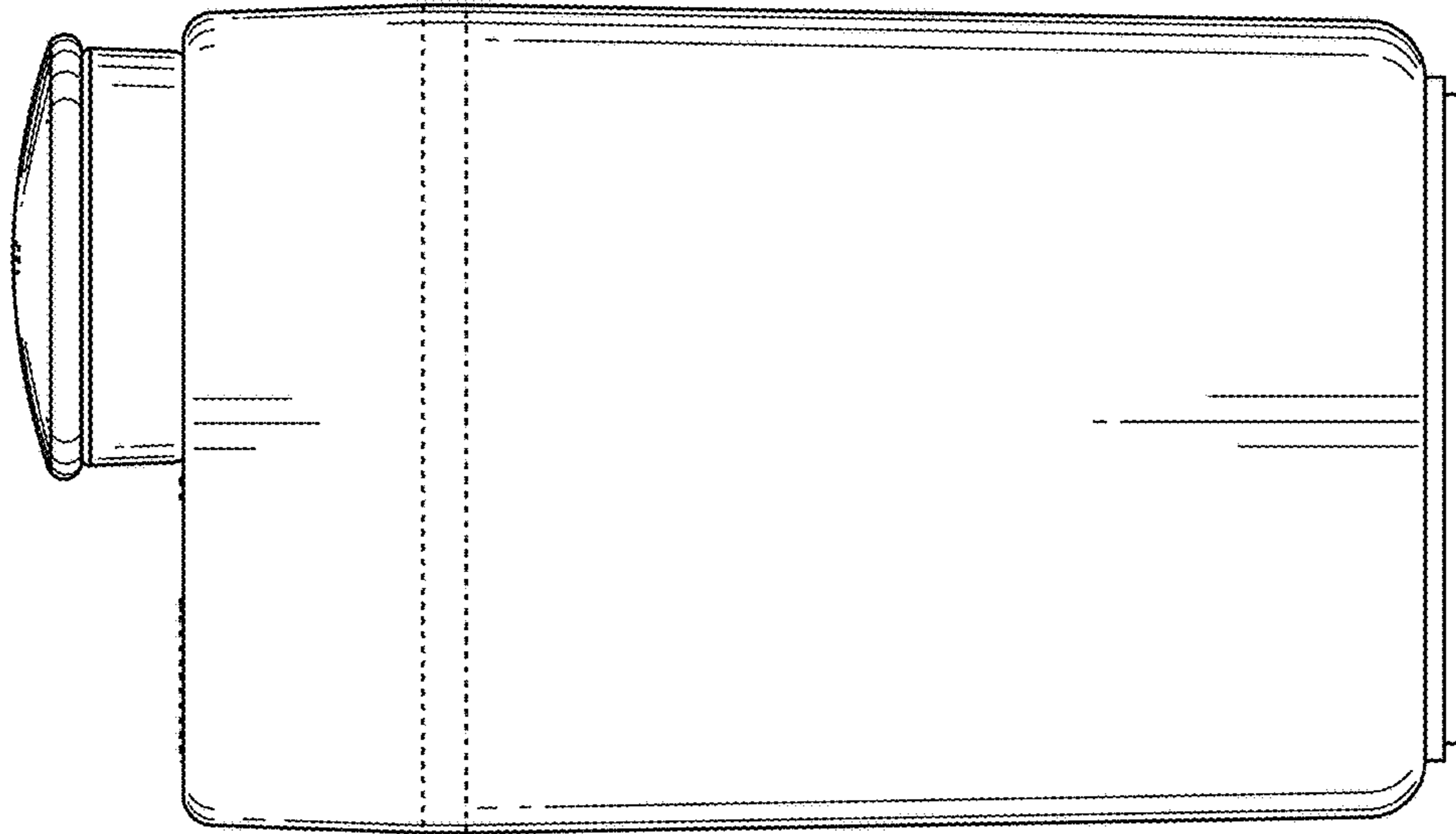


FIG. 9

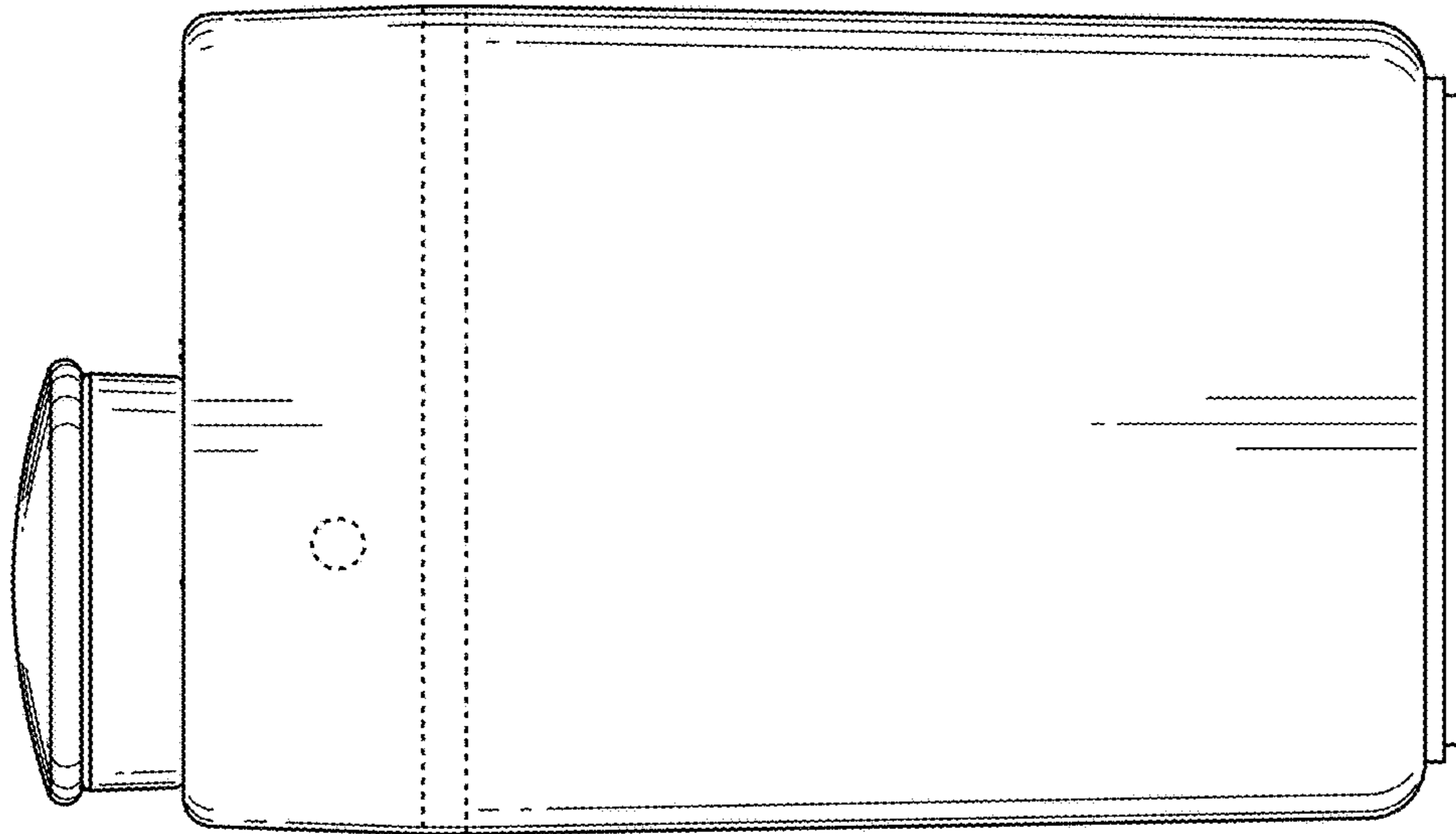


FIG. 8