



US00D807483S

(12) **United States Design Patent**  
**Combs et al.**

(10) **Patent No.:** **US D807,483 S**  
(45) **Date of Patent:** **\*\* Jan. 9, 2018**

(54) **AIR PURIFIER**

(71) Applicant: **SPRIMO, INC.**, Santa Clara, CA (US)

(72) Inventors: **Raymond C Combs**, San Jose, CA (US); **Chunxiao Han**, Dublin, CA (US); **Daniel Kendall Harden**, Palo Alto, CA (US); **Cole Justin Derby**, East Palo Alto, CA (US)

(73) Assignee: **Sprimo, Inc.**, Santa Clara, CA (US)

(\*\*) Term: **15 Years**

(21) Appl. No.: **29/550,697**

(22) Filed: **Jan. 6, 2016**

(51) **LOC (11) Cl.** ..... **23-04**

(52) **U.S. Cl.**  
USPC ..... **D23/364**

(58) **Field of Classification Search**  
USPC ..... D23/332-336, 342, 351, 352, 355-366,  
D23/369, 370; D14/168, 170-172, 188,  
D14/496; D26/36

CPC .... A62B 21/00; B01D 46/0002; B01D 46/10;  
F02M 35/04; F24F 13/20

See application file for complete search history.

(56) **References Cited**

U.S. PATENT DOCUMENTS

D58,776 S *	8/1921	Lapidus	.....	D26/36
D539,402 S *	3/2007	Blateri	.....	D23/336
D639,993 S *	6/2011	Mier-Langner	.....	F21S 8/02
				D26/74
D658,327 S *	4/2012	Meise	.....	D26/74
D666,350 S *	8/2012	Lee	.....	D26/89
D672,024 S *	12/2012	Fitton	.....	D23/370

D678,993 S *	3/2013	Kung-Hua	.....	D23/370
D717,484 S *	11/2014	Rozot	.....	D26/85
D725,764 S *	3/2015	Bisla	.....	D23/370
D729,373 S *	5/2015	Dos Reis	.....	D23/370
D779,647 S *	2/2017	Burton	.....	D23/370
D783,402 S *	4/2017	Martini	.....	D9/434
2004/0025697 A1 *	2/2004	Endo	.....	B01D 46/0023
				96/222

OTHER PUBLICATIONS

Sprimo Air Purifier found online [May 1, 2017] <http://www.whip-saw.com/2426-2/>.\*

\* cited by examiner

*Primary Examiner* — Robert M. Spear

*Assistant Examiner* — John A Voytek

(57) **CLAIM**

The ornamental design for an air purifier, as shown and described.

**DESCRIPTION**

FIG. 1 is a top, front, right side perspective view of an air purifier of the new design;

FIG. 2 is a top, rear, right side perspective view thereof.

FIG. 3 is a front elevation view thereof.

FIG. 4 is a rear elevation view thereof.

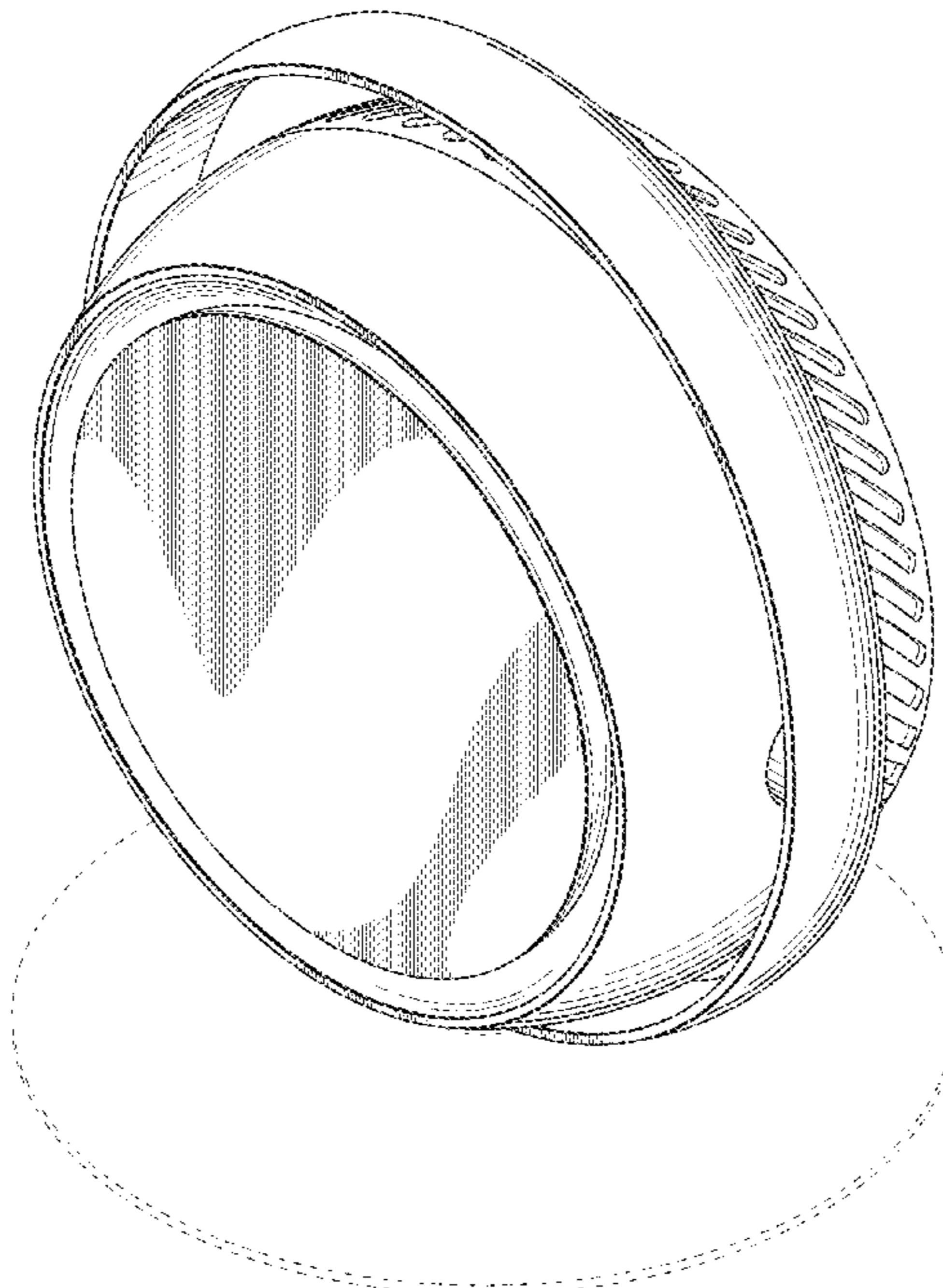
FIG. 5 is a left-side elevation view thereof, the right side elevation view being a mirror image.

FIG. 6 is a top plan view thereof; and,

FIG. 7 is a bottom plan view thereof.

The broken lines represent environment structure forming no part of the claimed design; the broken lines immediately adjacent shaded surfaces represent claim boundaries forming no part of the claim.

**1 Claim, 7 Drawing Sheets**



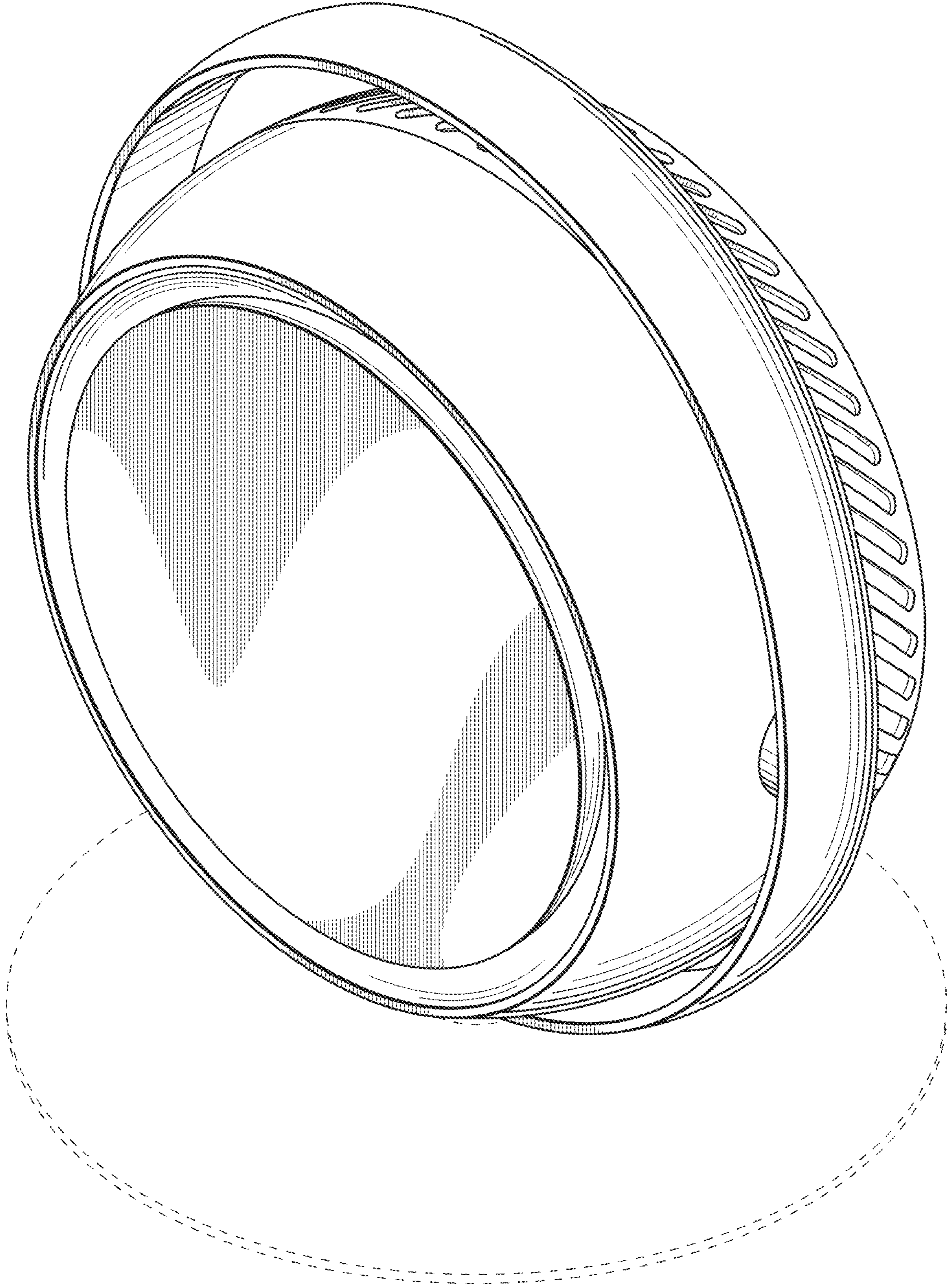


FIG. 1

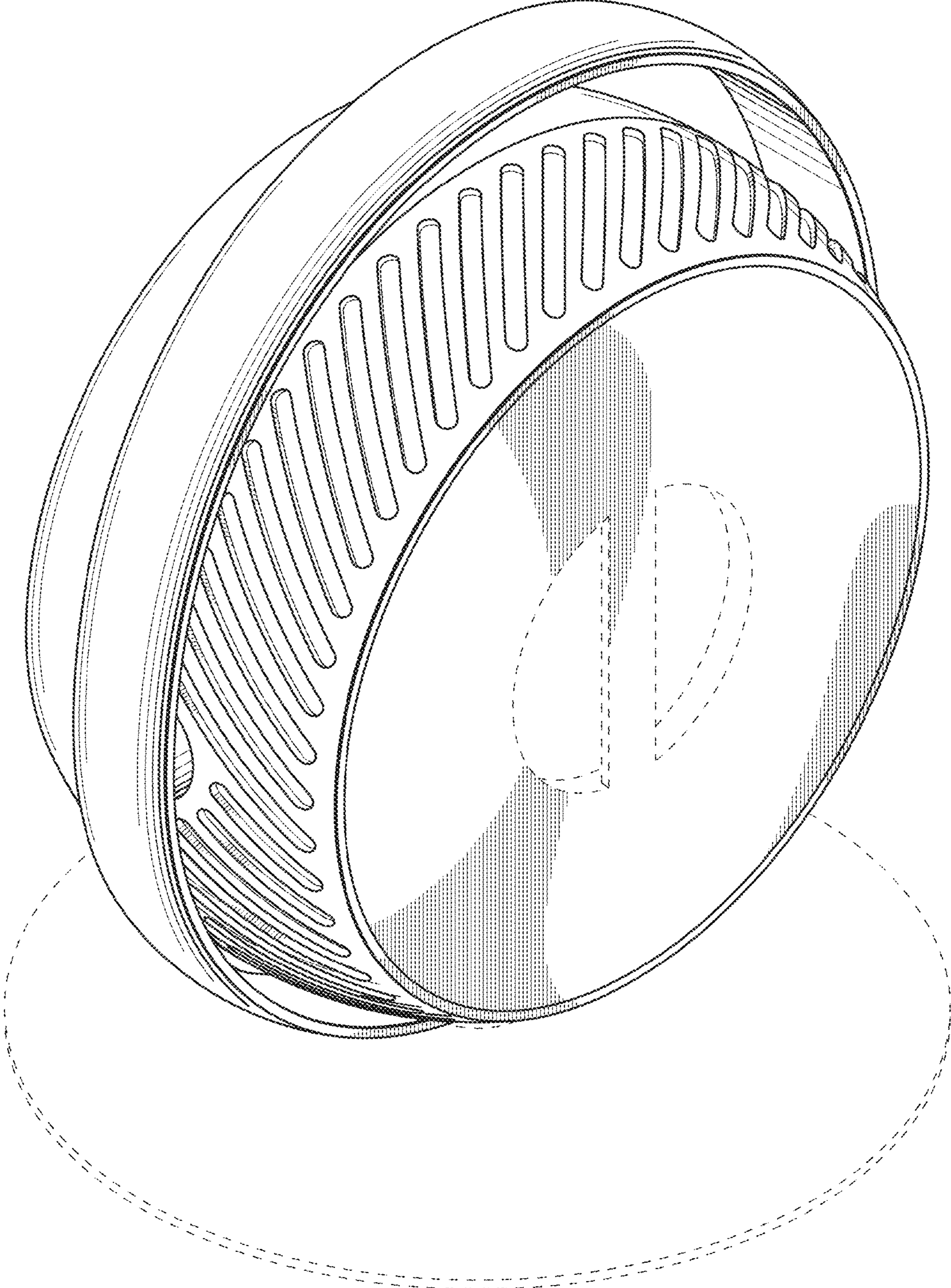


FIG. 2

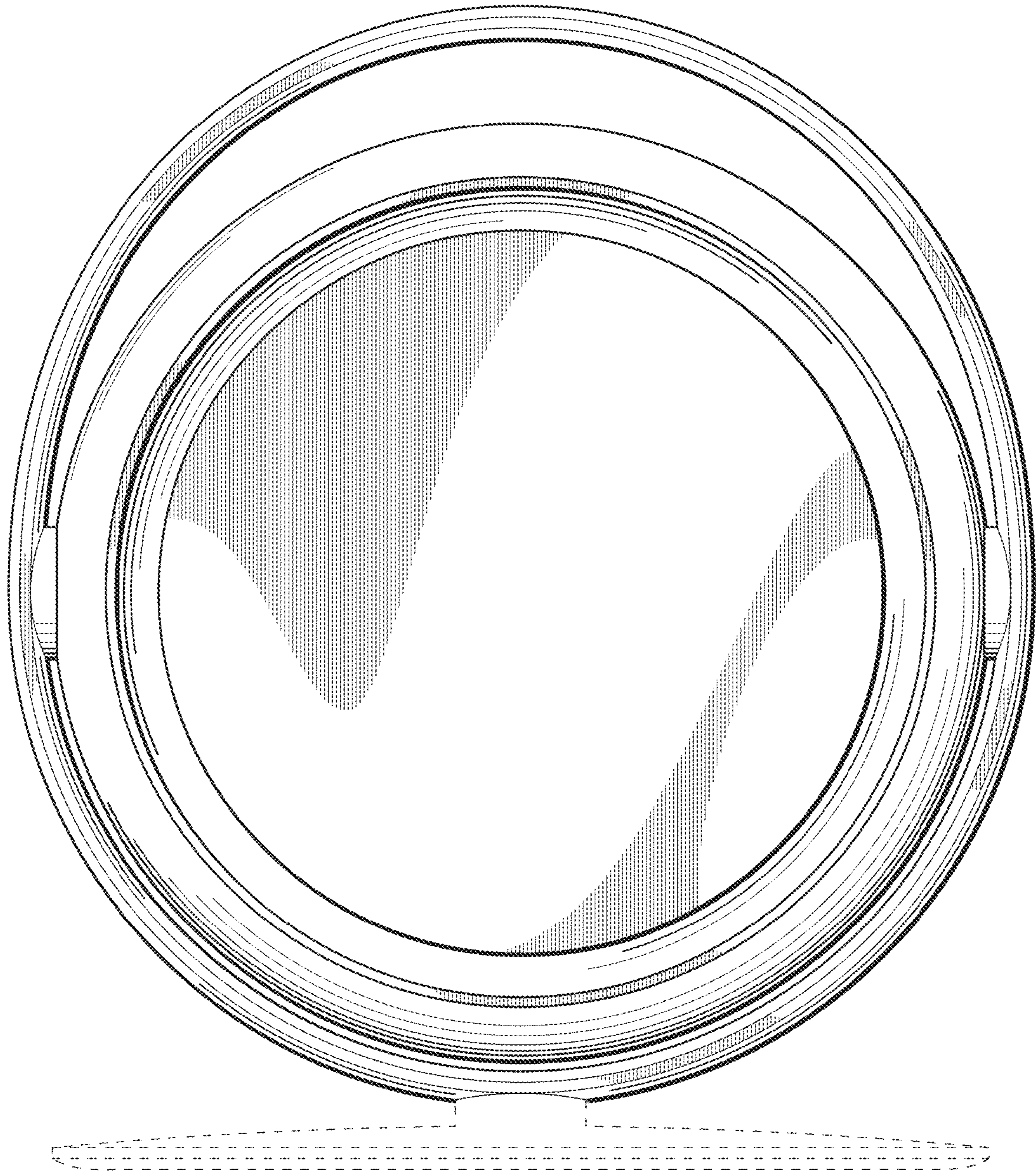


FIG. 3

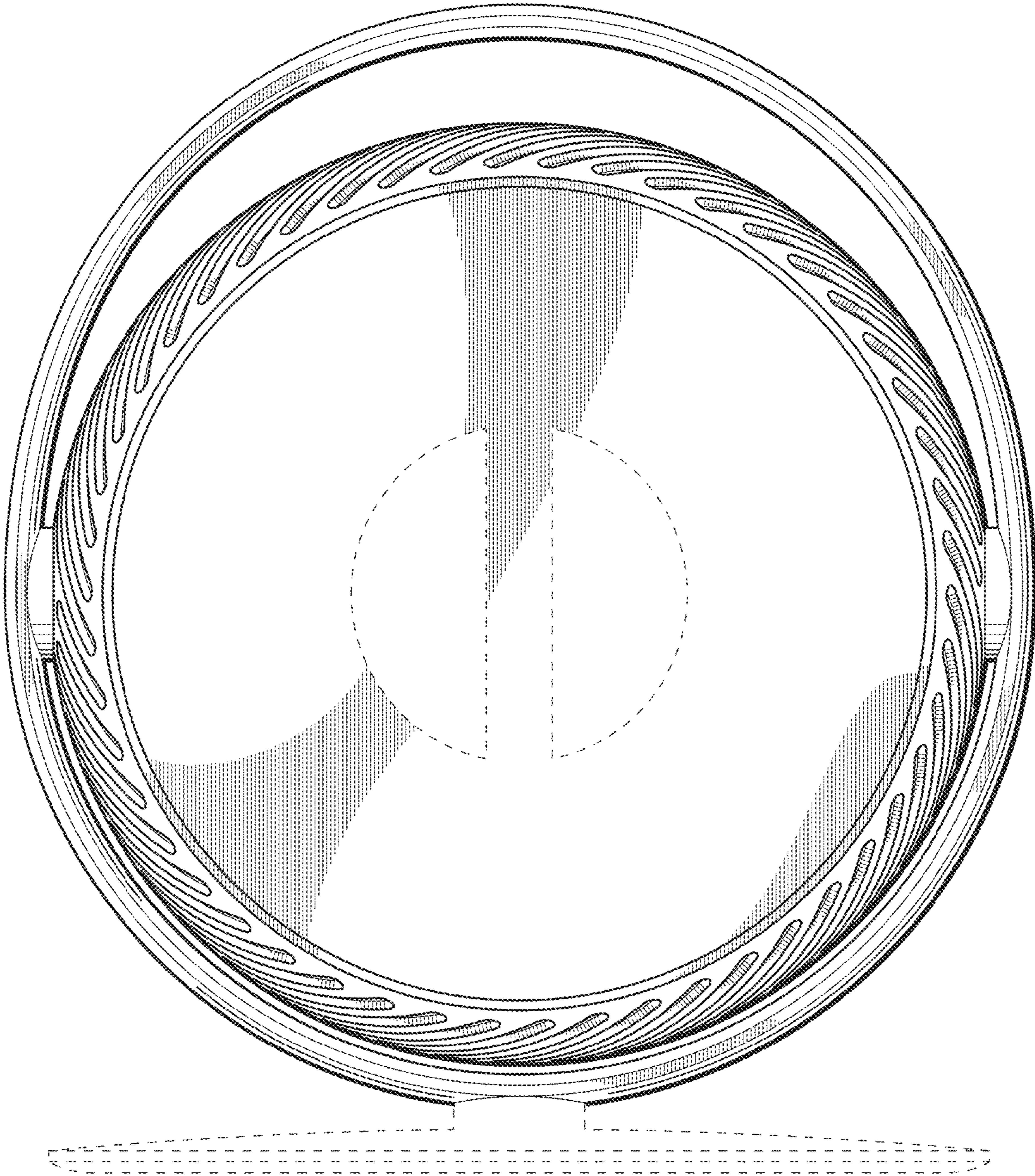


FIG. 4

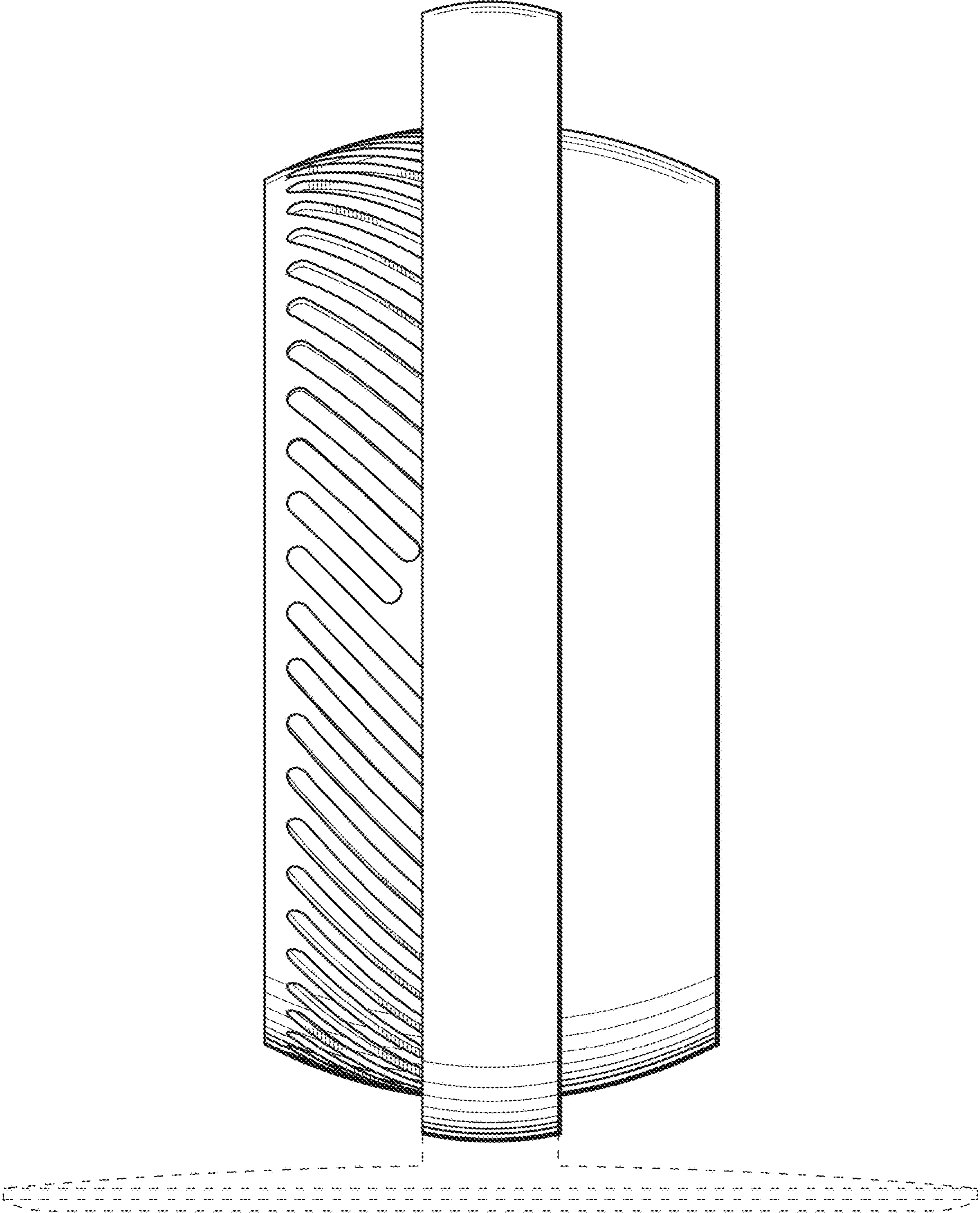


FIG. 5

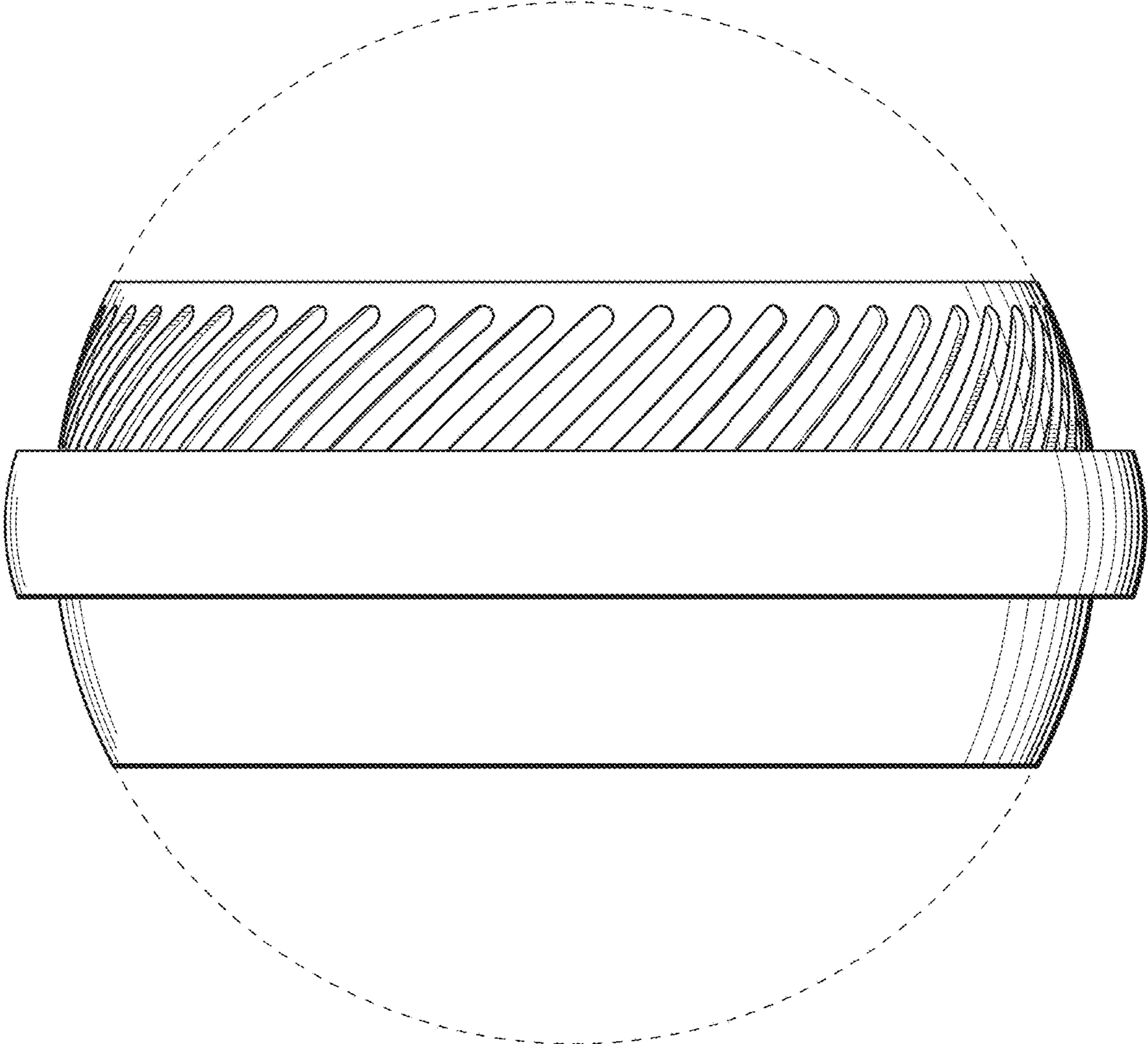


FIG. 6

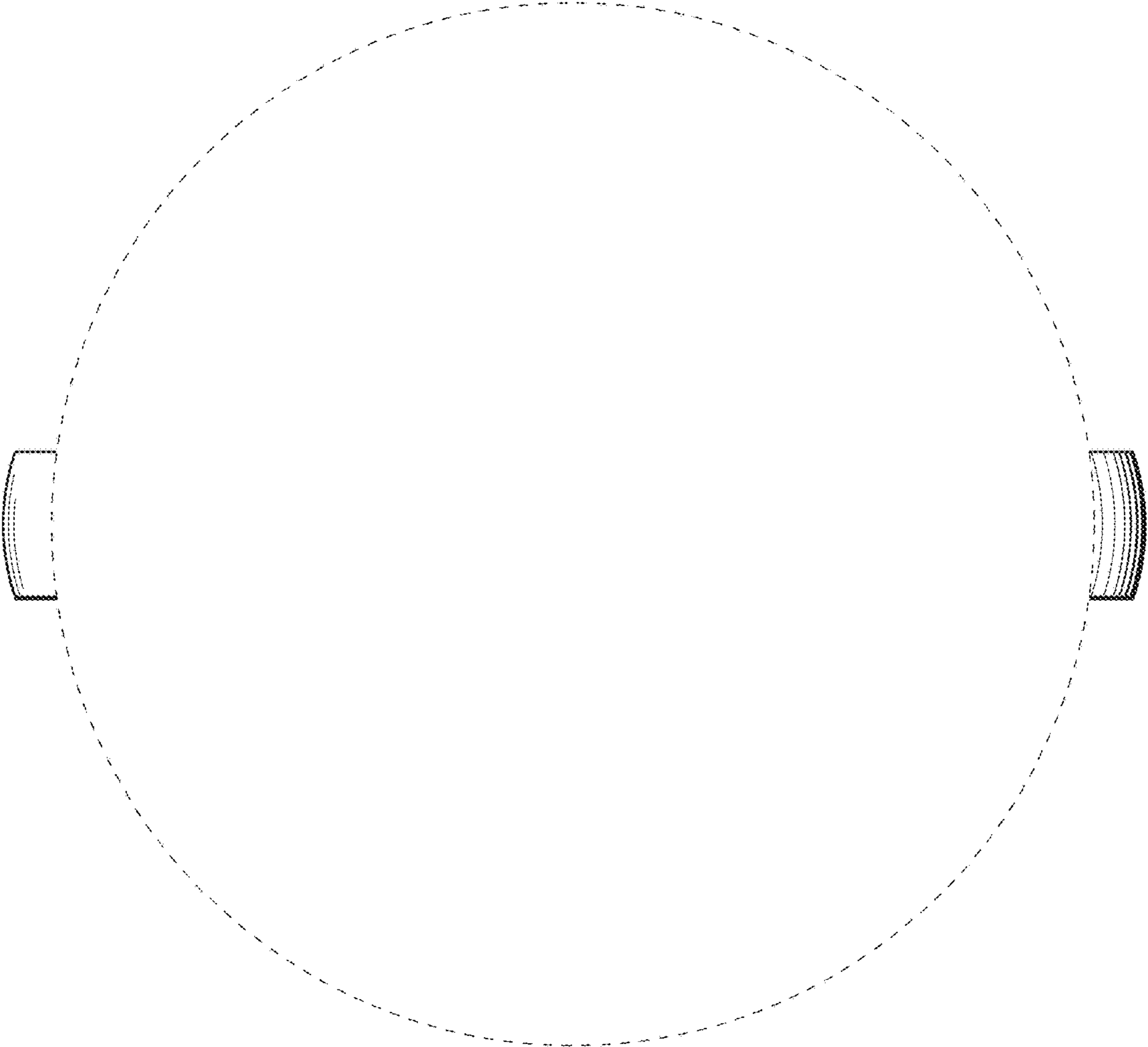


FIG. 7