



US00D807481S

(12) **United States Design Patent** (10) **Patent No.:** **US D807,481 S**
Iu et al. (45) **Date of Patent:** **** Jan. 9, 2018**

(54) **PATTERNED HEATER PEDESTAL**

FOREIGN PATENT DOCUMENTS

(71) Applicant: **Applied Materials, Inc.**, Santa Clara, CA (US)

CN 2013304342023 2/2014
CN 201410416939 8/2016

(72) Inventors: **Dongming Iu**, Union City, CA (US);
Mehran Behdjat, San Jose, CA (US)

OTHER PUBLICATIONS

(73) Assignee: **APPLIED MATERIALS, INC.**, Santa Clara, CA (US)

CPSC, Basketball and Flower Tables Recalled by Avon Products Due to Violation of Lead Paint Standard, Apr. 2008, CPSC [online], noted for basketball table, Retrieved Mar. 28, 2017 from <URL:https://www.cpsc.gov/Recalls/2008/basketball-and-flower-tables-recalled-by-avon-products-due-to-violation-of-lead-paint>.*

(**) Term: **15 Years**

(Continued)

(21) Appl. No.: **29/560,668**

(22) Filed: **Apr. 8, 2016**

Primary Examiner — Sheryl Lane

(51) **LOC (11) Cl.** **23-03**

Assistant Examiner — Calvin E Vansant

(52) **U.S. Cl.**
USPC **D23/314**

(74) *Attorney, Agent, or Firm* — Patterson + Sheridan LLP

(58) **Field of Classification Search**
USPC D13/182; D15/122, 144.1, 138; D9/454;
D23/233, 259–263, 269; D6/688, 688.1,
D6/692–692.3, 698
CPC H01L 21/67115; H05B 3/0047; F27B
17/0025; C23C 16/4584; C23C 16/4586
See application file for complete search history.

(57) **CLAIM**

The ornamental design for a patterned heater pedestal, as shown and described.

(56) **References Cited**

DESCRIPTION

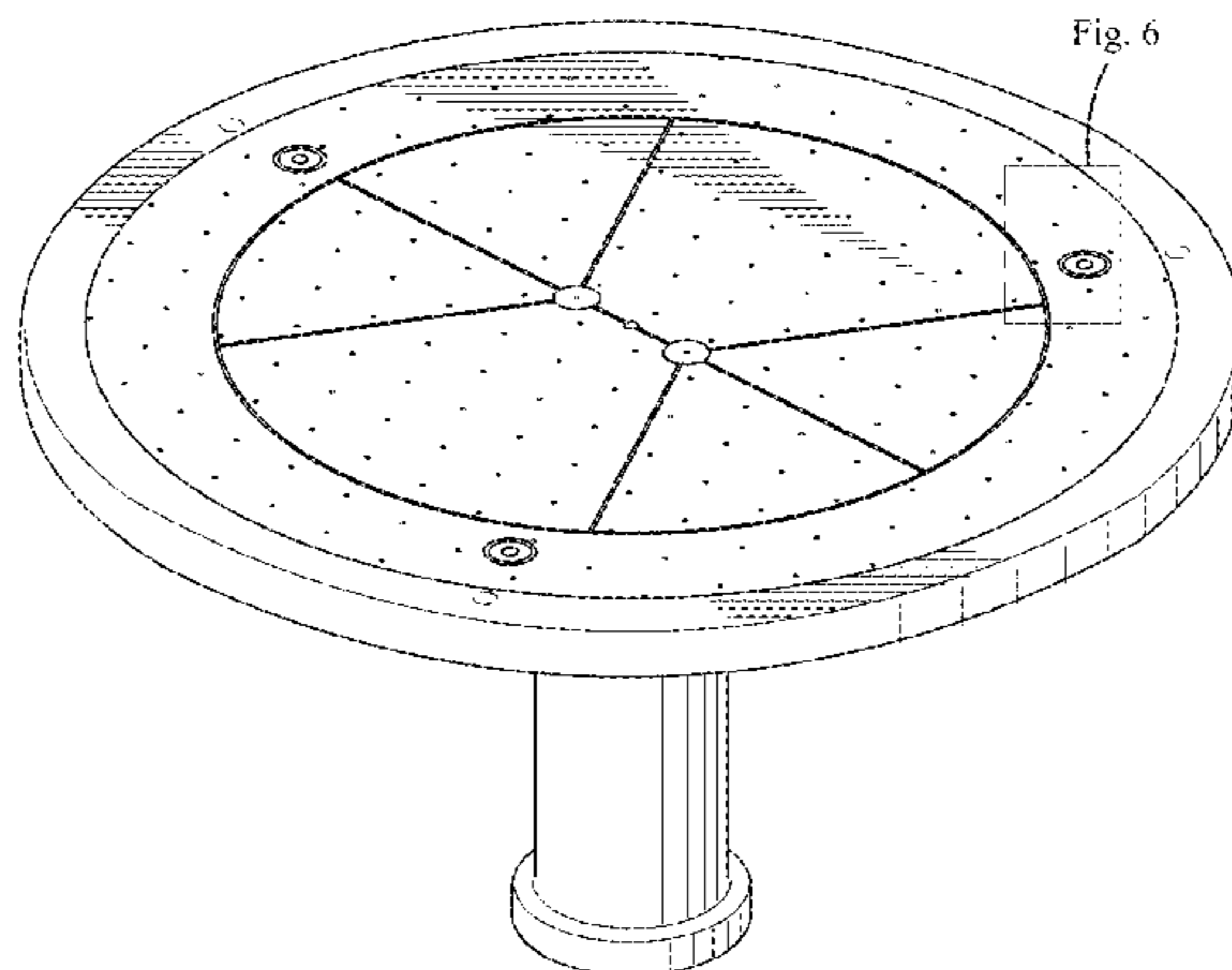
U.S. PATENT DOCUMENTS

609,592	A *	8/1898	Shultz	A47B 3/12
					108/150
D93,968	S *	12/1934	Brower	D6/692.3
D236,301	S *	8/1975	Berkel-Enschot	D6/692.3
D263,774	S *	4/1982	Deconinck	D6/692.1
D280,580	S *	9/1985	Appel	D6/692.1
D286,002	S *	10/1986	Brix	D7/332
5,331,905	A *	7/1994	Hammers	A47B 3/12
					108/150
5,375,370	A *	12/1994	Zimmerman	A47G 7/07
					248/188
5,474,614	A *	12/1995	Robbins	B25B 11/002
					118/728
D442,073	S *	5/2001	Lyndon	D6/323
6,907,924	B2 *	6/2005	Moslehi	C23C 14/50
					118/724

FIG. 1 is an isometric top view of a patterned heater pedestal showing my new design.
FIG. 2 is an isometric bottom view thereof.
FIG. 3 is a top plan view thereof.
FIG. 4 is a bottom plan view thereof.
FIG. 5 is a side elevational view thereof, the opposite side elevational view being a mirror image; and,
FIG. 6 is an enlarged view of a portion of FIG. 1.
The dash-dot-dot-dash broken lines depict the boundary of an enlarged view of the patterned heater pedestal only and form no part of the claim.
Portions of the article shown in broken lines, such as the dash-dash circles located near the periphery of FIG. 3, form no part of the claimed design.

(Continued)

1 Claim, 6 Drawing Sheets



(56)

References Cited

U.S. PATENT DOCUMENTS

D562,599 S * 2/2008 Everson D6/692.3
D581,705 S * 12/2008 Li D6/692.3
D721,526 S * 1/2015 Bosman D6/692.3
D732,644 S * 6/2015 Yamagishi D23/261
2009/0235866 A1 * 9/2009 Kataigi C23C 16/45521
118/725
2011/0300297 A1 * 12/2011 Celaru C23C 16/4584
427/255.5
2017/0009342 A1 * 1/2017 Xiang C23C 16/52

OTHER PUBLICATIONS

Notice of Allowance in related application TW 105305593 dated
Mar. 22, 2017.

* cited by examiner

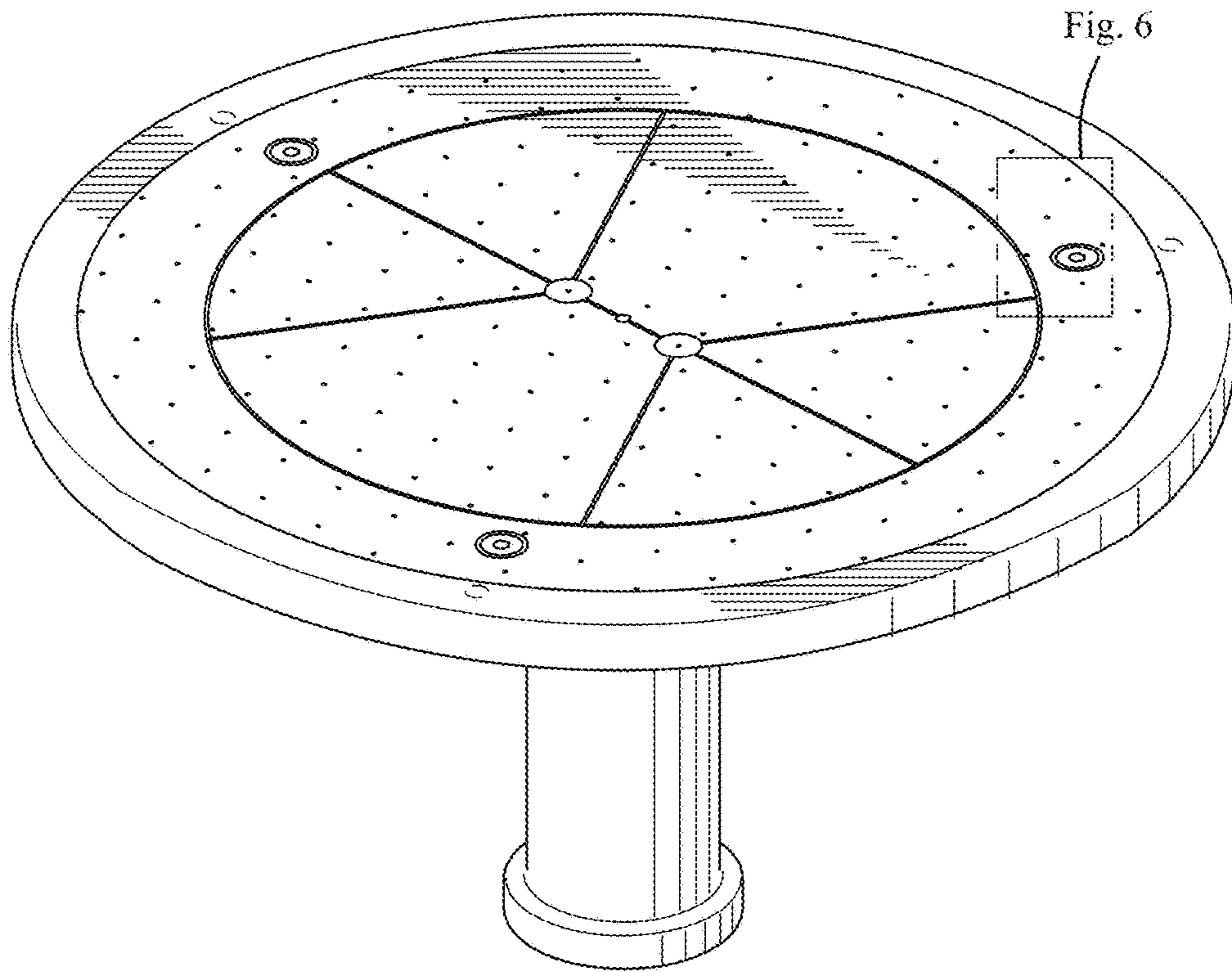


Fig. 1

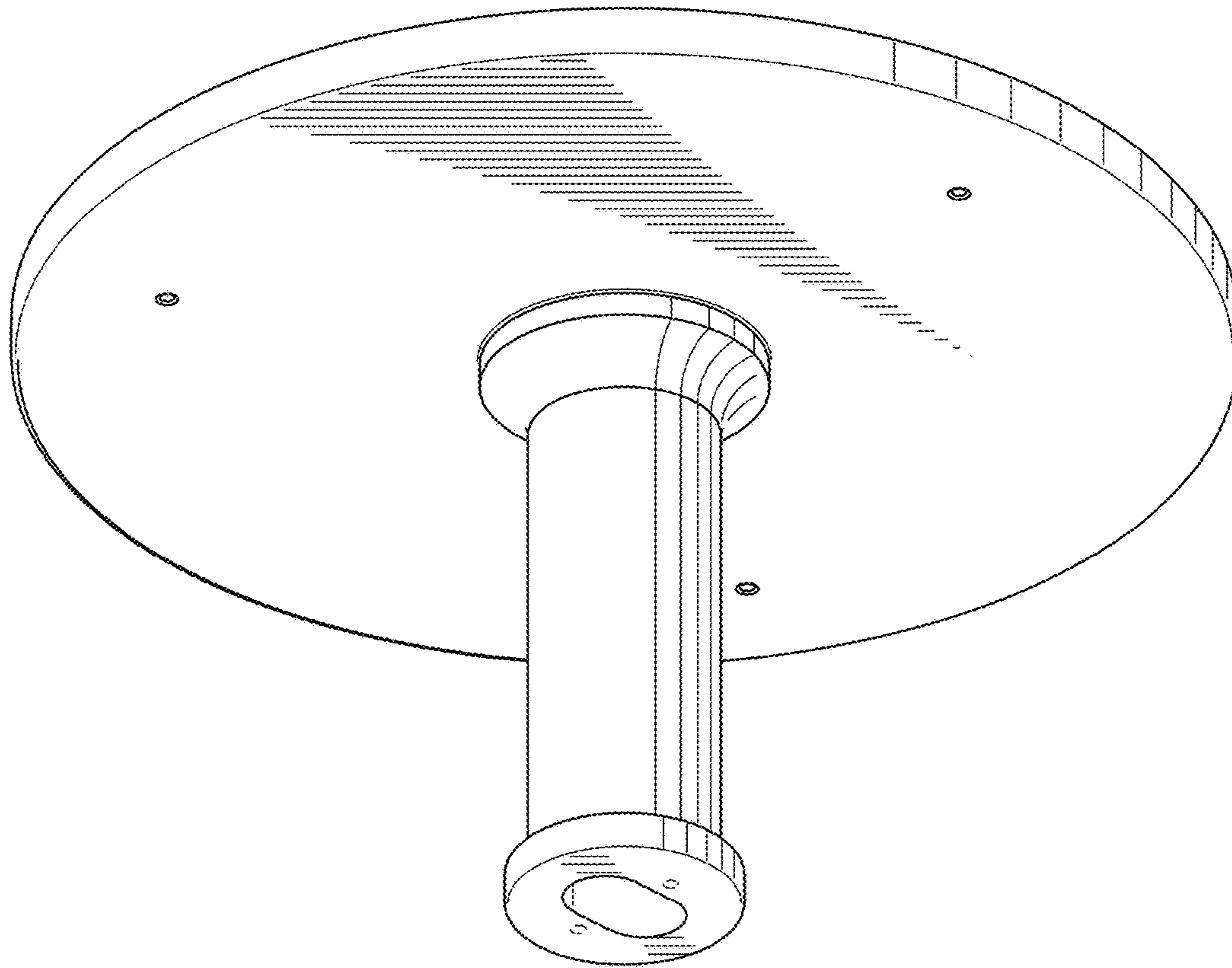


Fig. 2

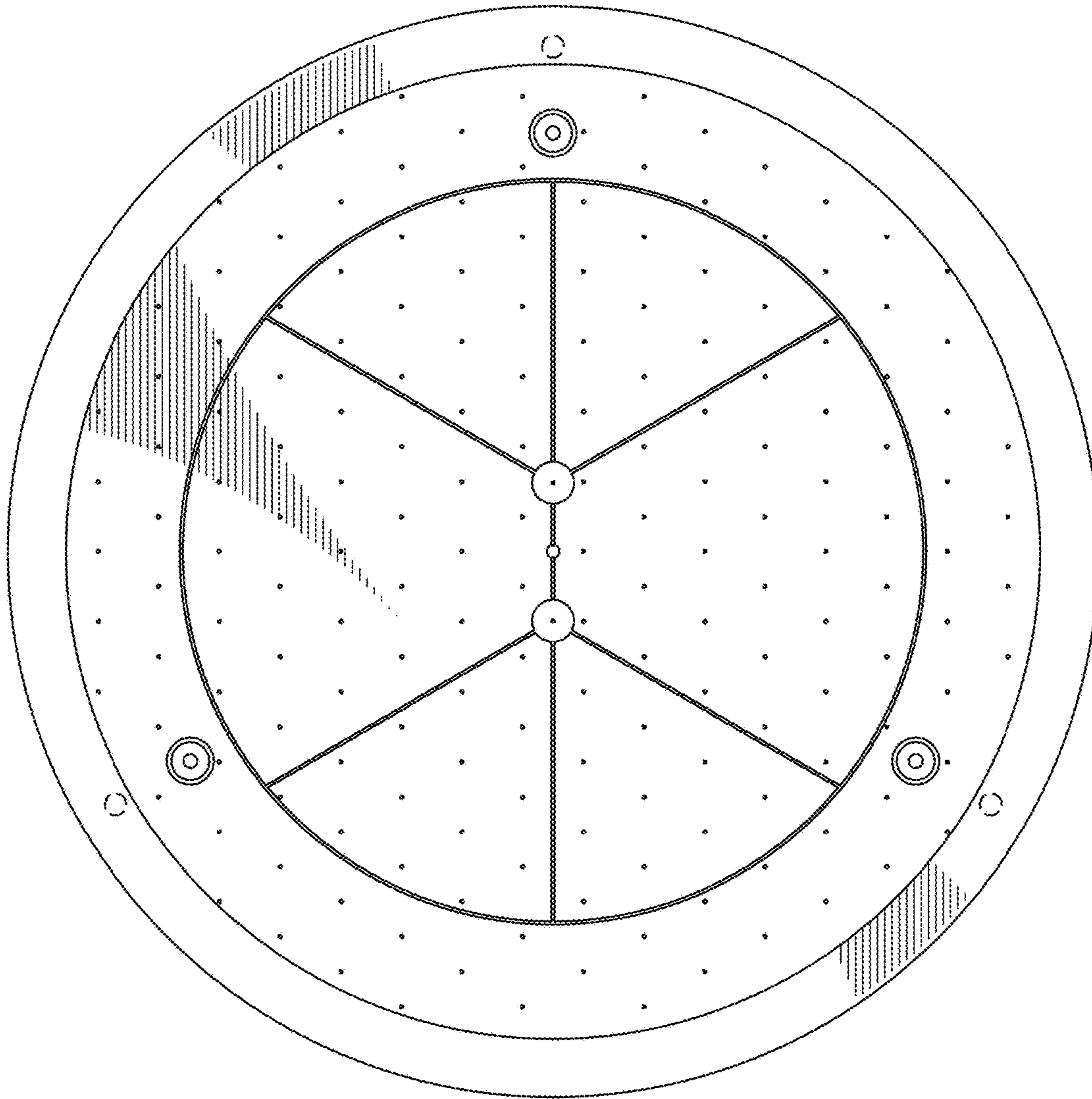


Fig. 3

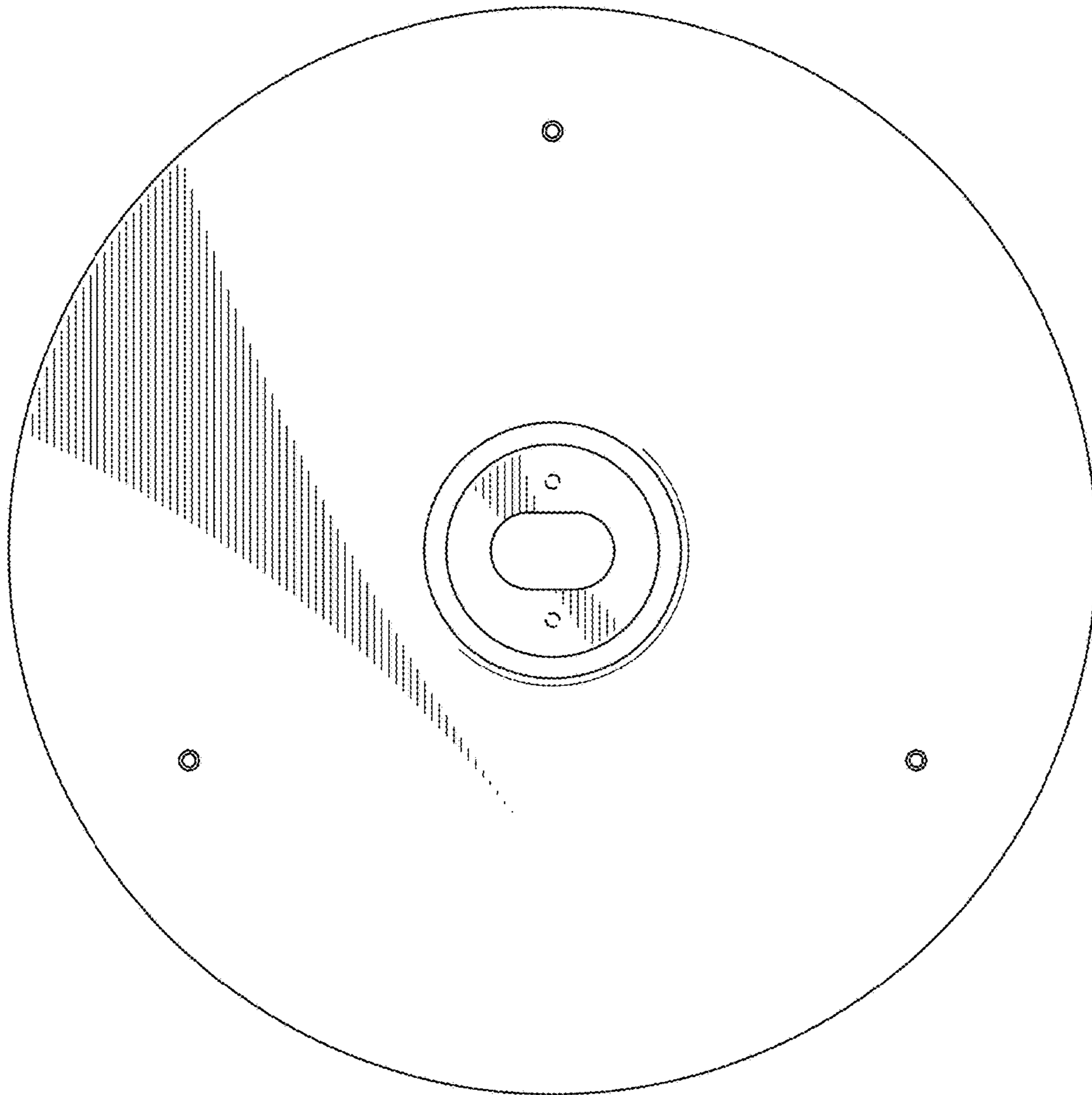


Fig. 4

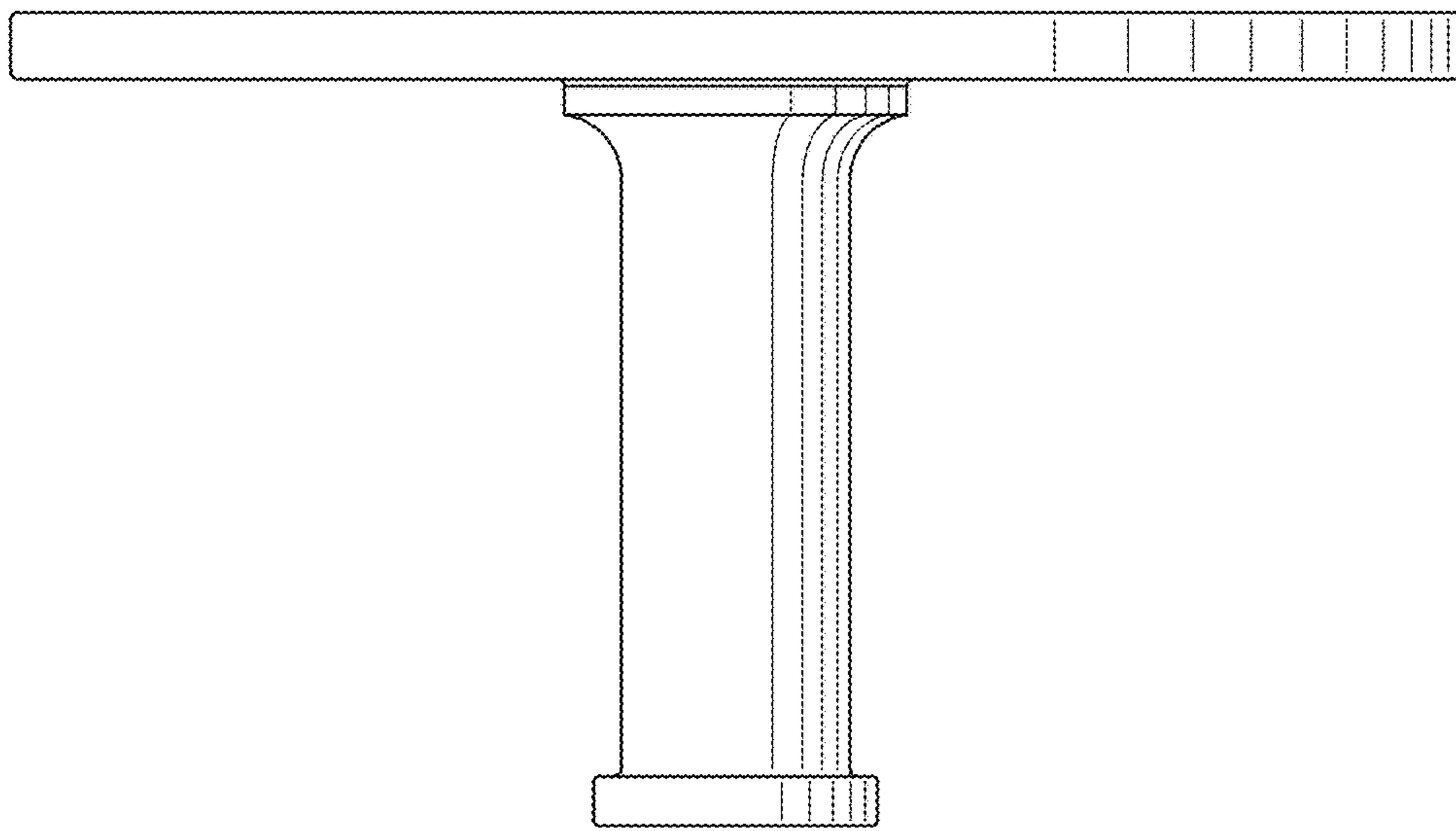


Fig. 5

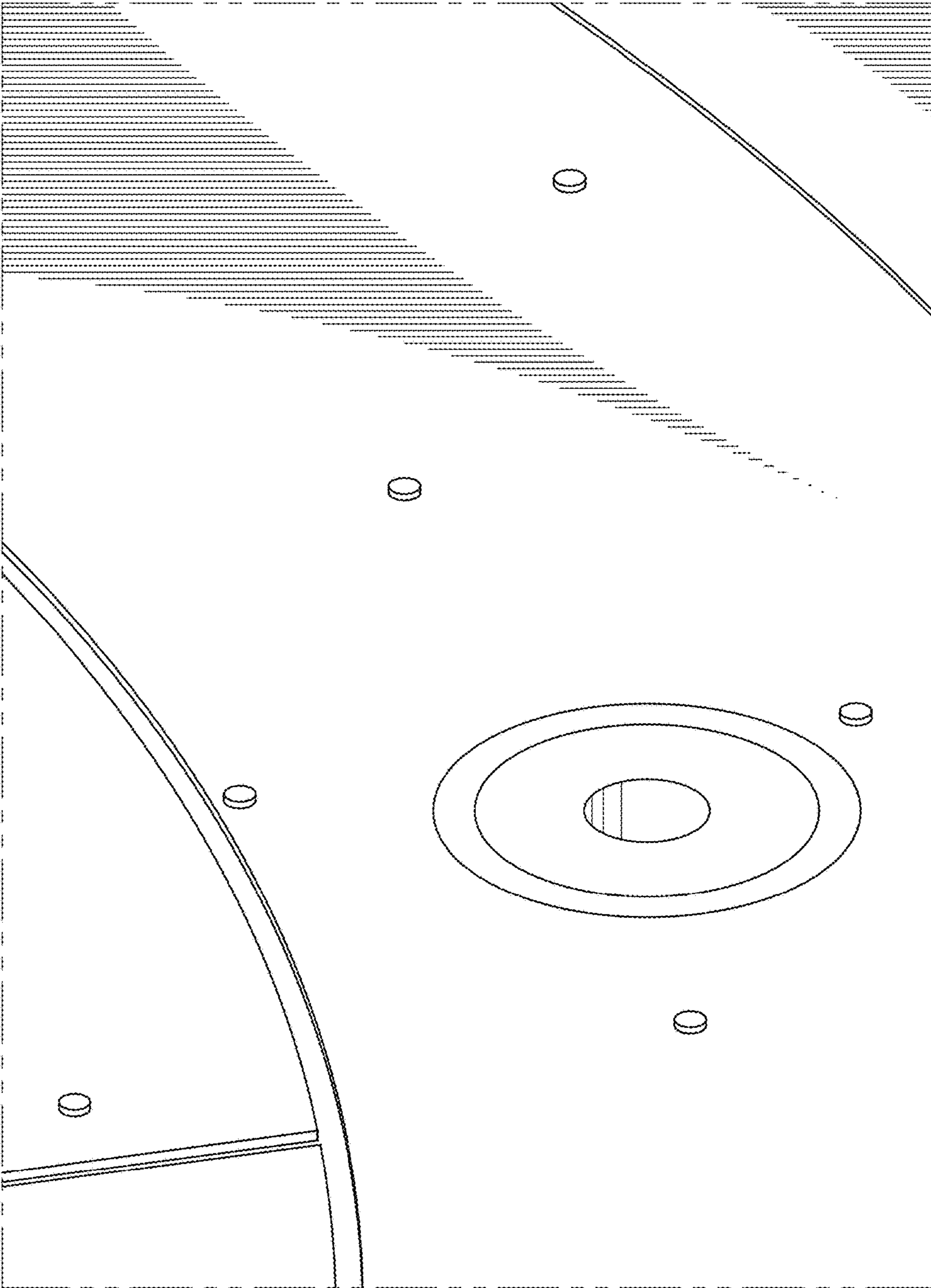


Fig. 6