



US00D807479S

(12) **United States Design Patent** (10) **Patent No.:** **US D807,479 S**
Chuk et al. (45) **Date of Patent:** **** Jan. 9, 2018**

(54) **TOILET**

(71) Applicant: **Icera LLC**, Santa Ana, CA (US)

(72) Inventors: **Charles Chuk**, Santa Ana, CA (US);
Robin Huang, Wuxi (CN); **Haihe Cheng**, Wuxi (CN)

(73) Assignee: **Icera LLC**, Santa Ana, CA (US)

(**) Term: **15 Years**

(21) Appl. No.: **29/595,537**

(22) Filed: **Feb. 28, 2017**

Related U.S. Application Data

(60) Division of application No. 29/563,738, filed on May 6, 2016, now Pat. No. Des. 785,751, which is a continuation-in-part of application No. 29/539,693, filed on Sep. 16, 2015, now Pat. No. Des. 764,033.

(51) **LOC (11) Cl.** **23-02**

(52) **U.S. Cl.**
USPC **D23/301**

(58) **Field of Classification Search**
USPC D23/311, 303, 295, 300-301
CPC A47K 13/00; A47K 13/24; E03D 1/00;
E03D 1/01; E03D 1/012; E03D 1/26;
E03D 1/28

See application file for complete search history.

(56) **References Cited**

U.S. PATENT DOCUMENTS

D531,288 S *	10/2006	Soulier	D23/295
D582,530 S *	12/2008	Cummings	D23/301
D594,943 S *	6/2009	Starck	D23/301
D594,944 S *	6/2009	Starck	D23/301
D603,945 S *	11/2009	Bucher	D23/301
D624,165 S *	9/2010	Yokoyama	D23/301
D624,997 S *	10/2010	Schonherr	D23/301
D645,126 S *	9/2011	Bucher	D23/301
D652,493 S *	1/2012	Bucher	D23/301
D764,033 S *	8/2016	Chuk	D23/301

* cited by examiner

Primary Examiner — Robert A Delehanty

(74) *Attorney, Agent, or Firm* — LKP Global Law, LLP

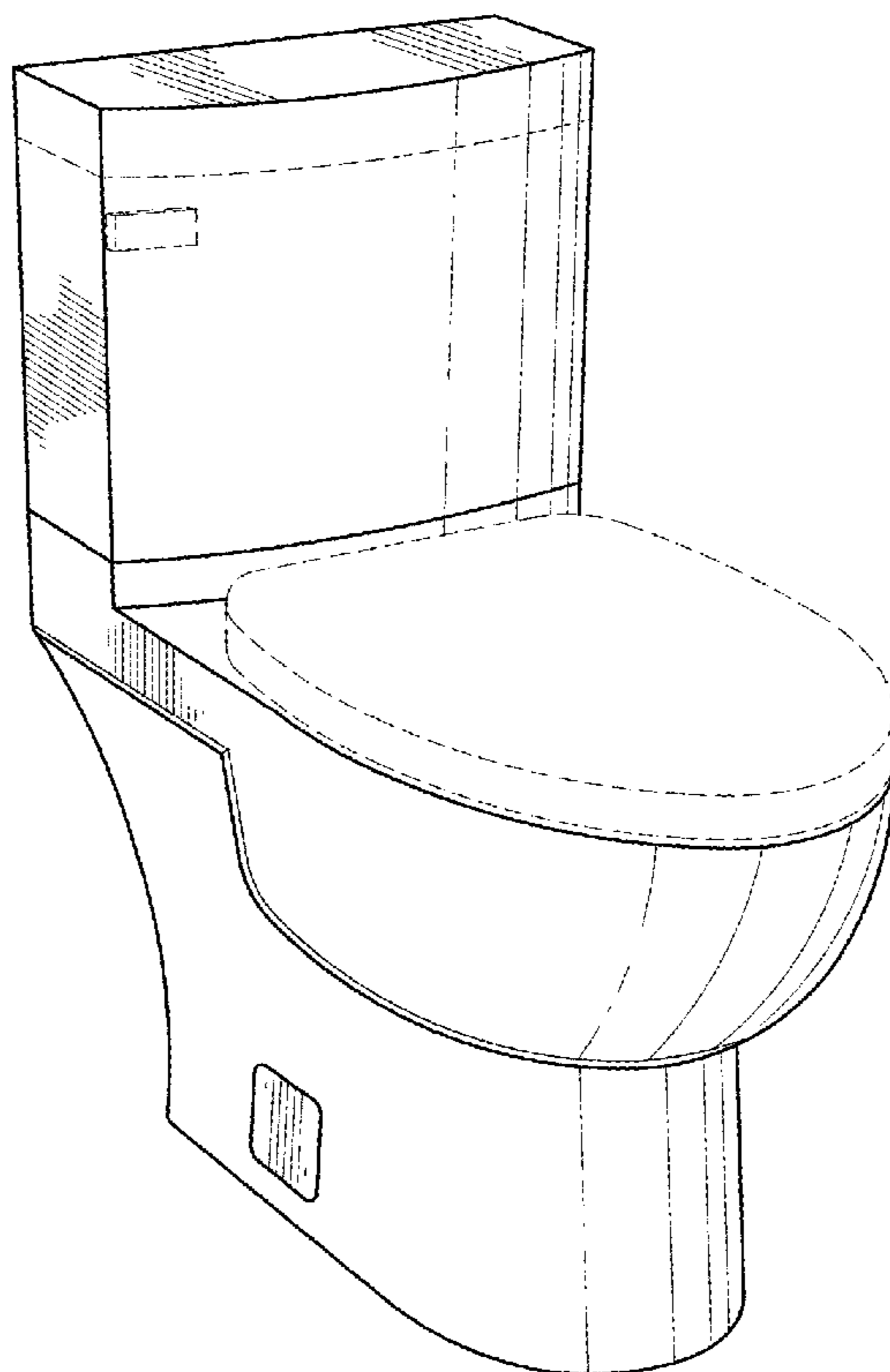
(57) **CLAIM**

The ornamental design for a toilet, as shown and described.

DESCRIPTION

FIG. 1 is a perspective view of a toilet;
FIG. 2 is a top view of the toilet taken from FIG. 1;
FIG. 3 is a left side view of the toilet of FIG. 1;
FIG. 4 is a right side view of the toilet of FIG. 1;
FIG. 5 is a front view of the toilet of FIG. 1; and,
FIG. 6 is a back view of the toilet of FIG. 1.
The dash-dash-dash-dash type broken lines are for illustrative purposes only and form no part of the claimed design.

1 Claim, 3 Drawing Sheets



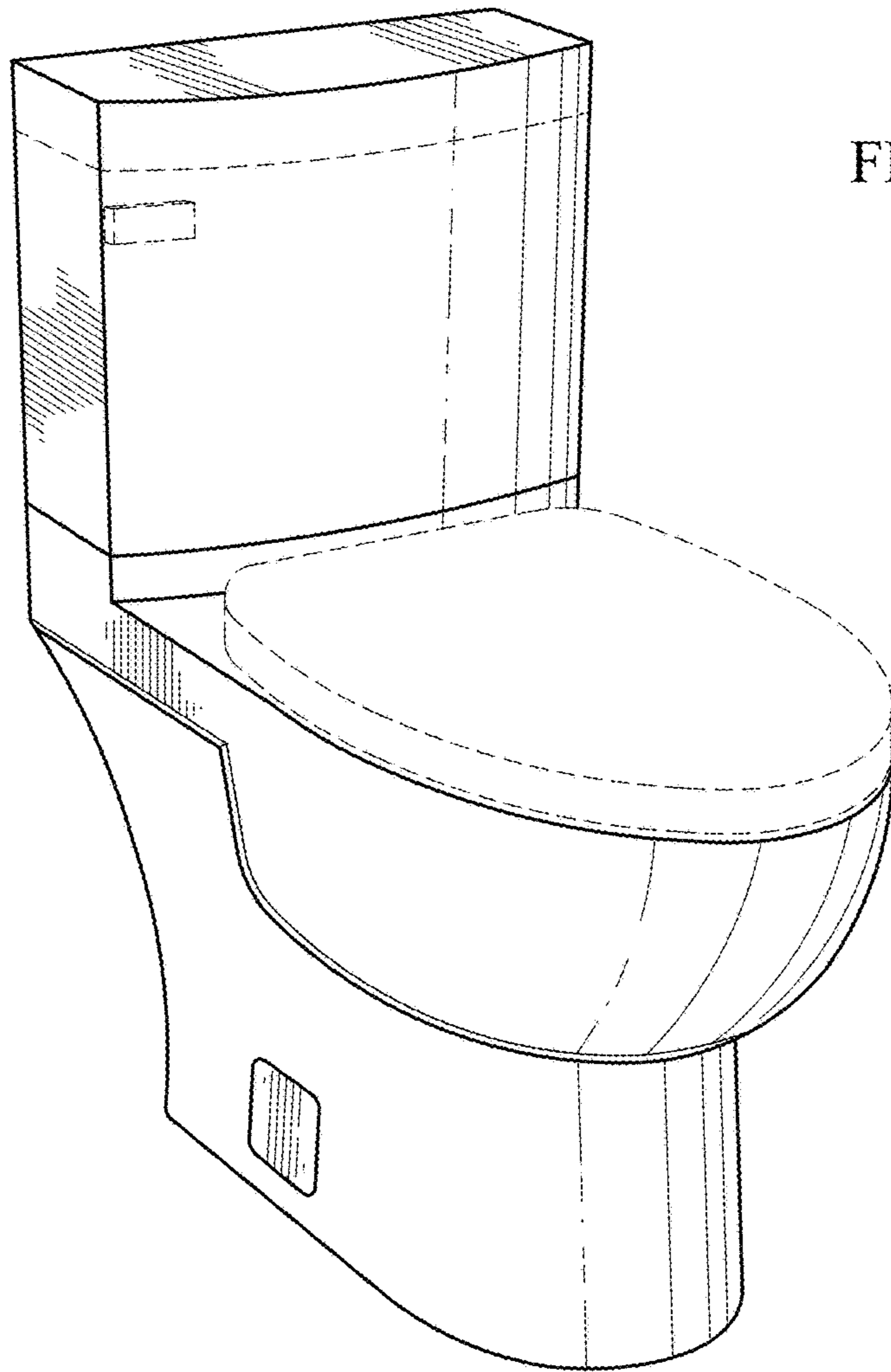


FIG. 1

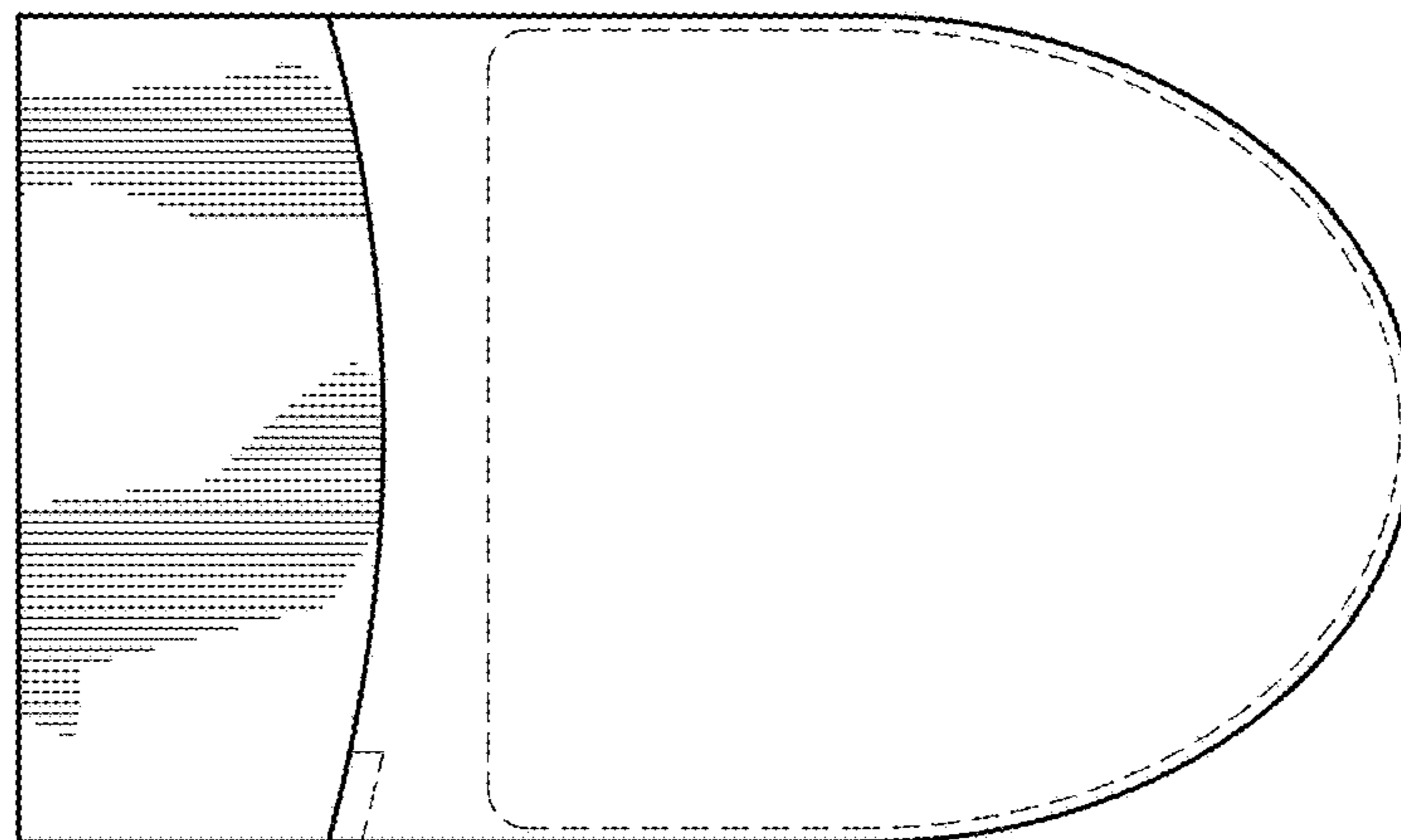
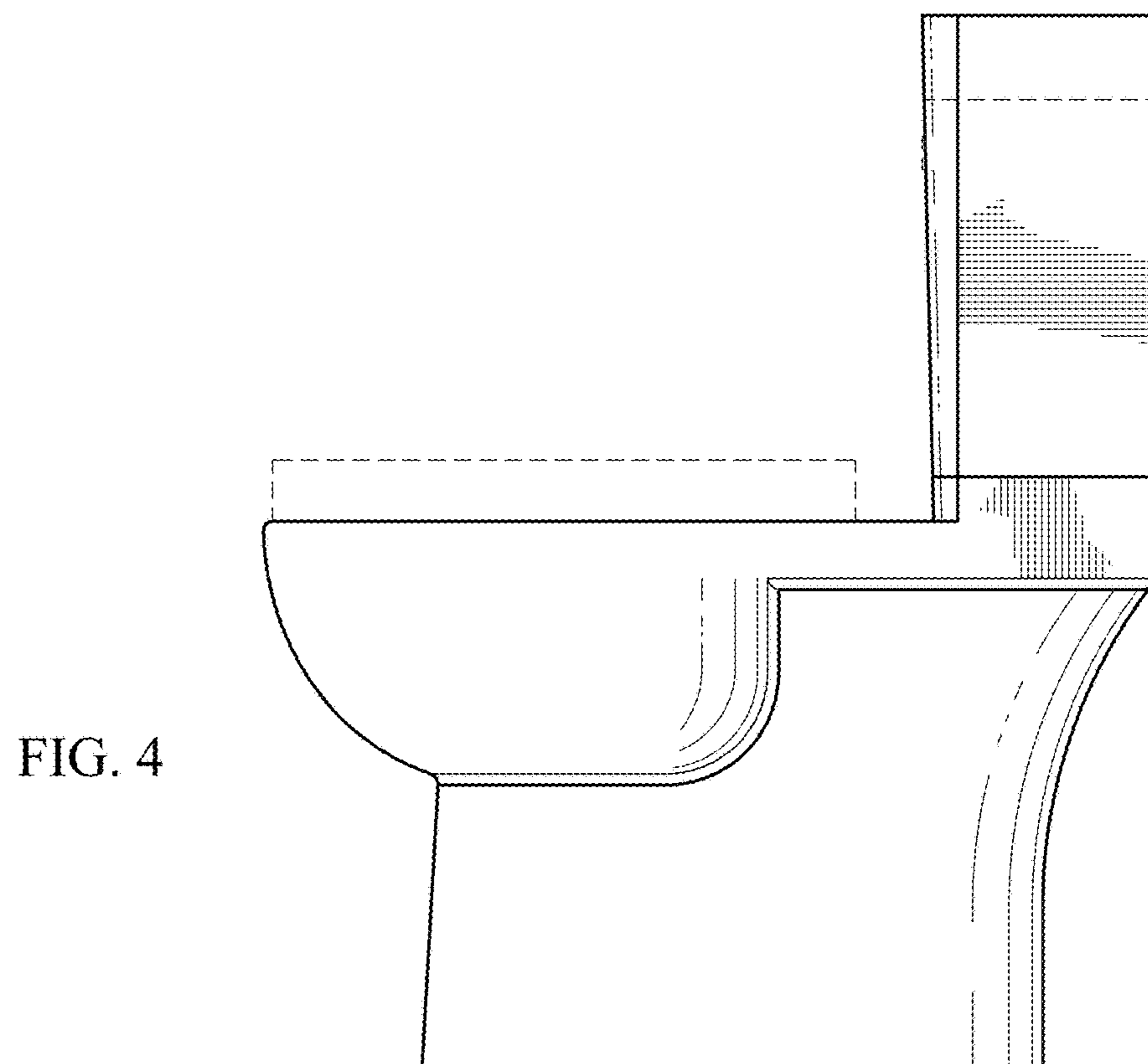
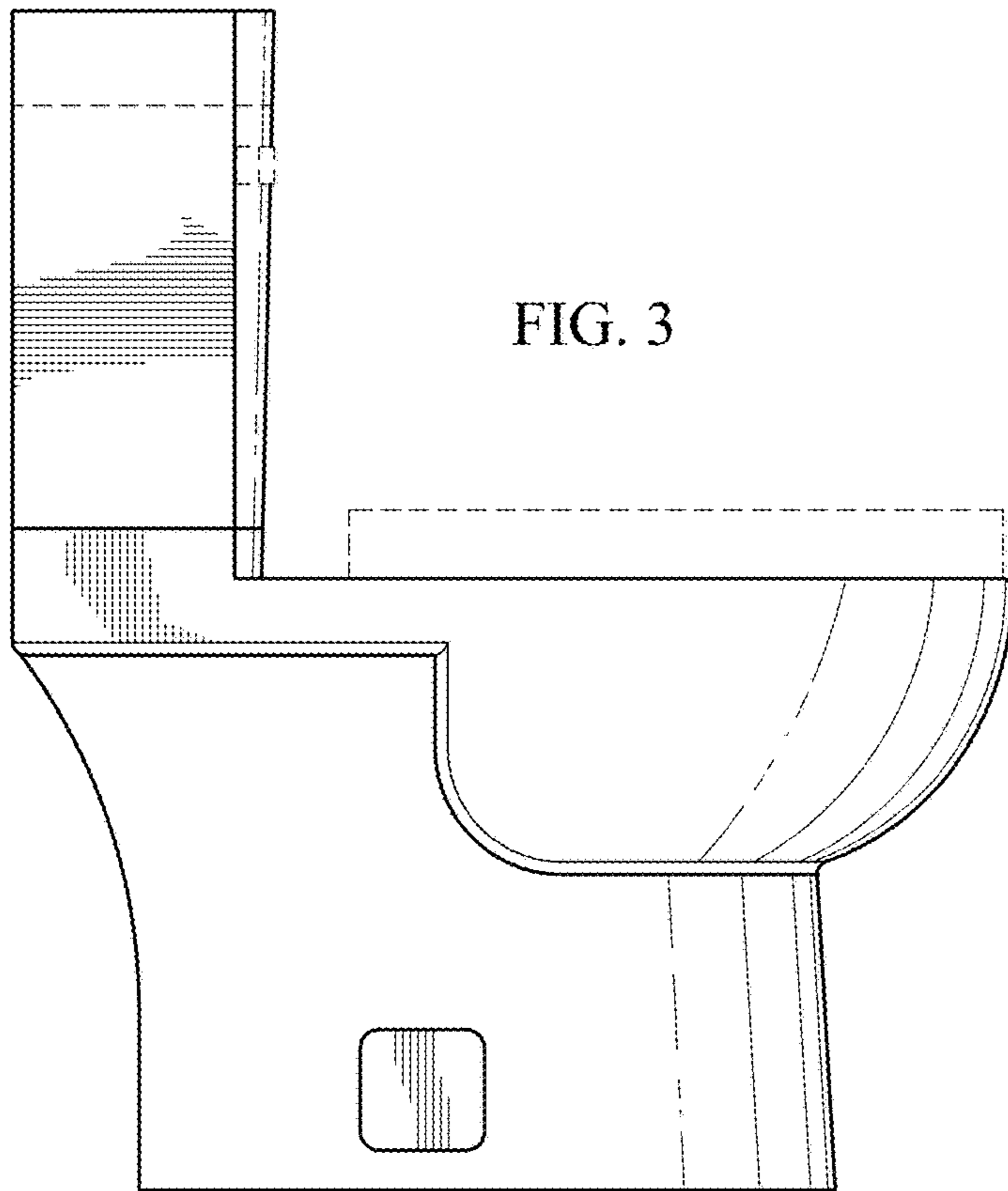


FIG. 2



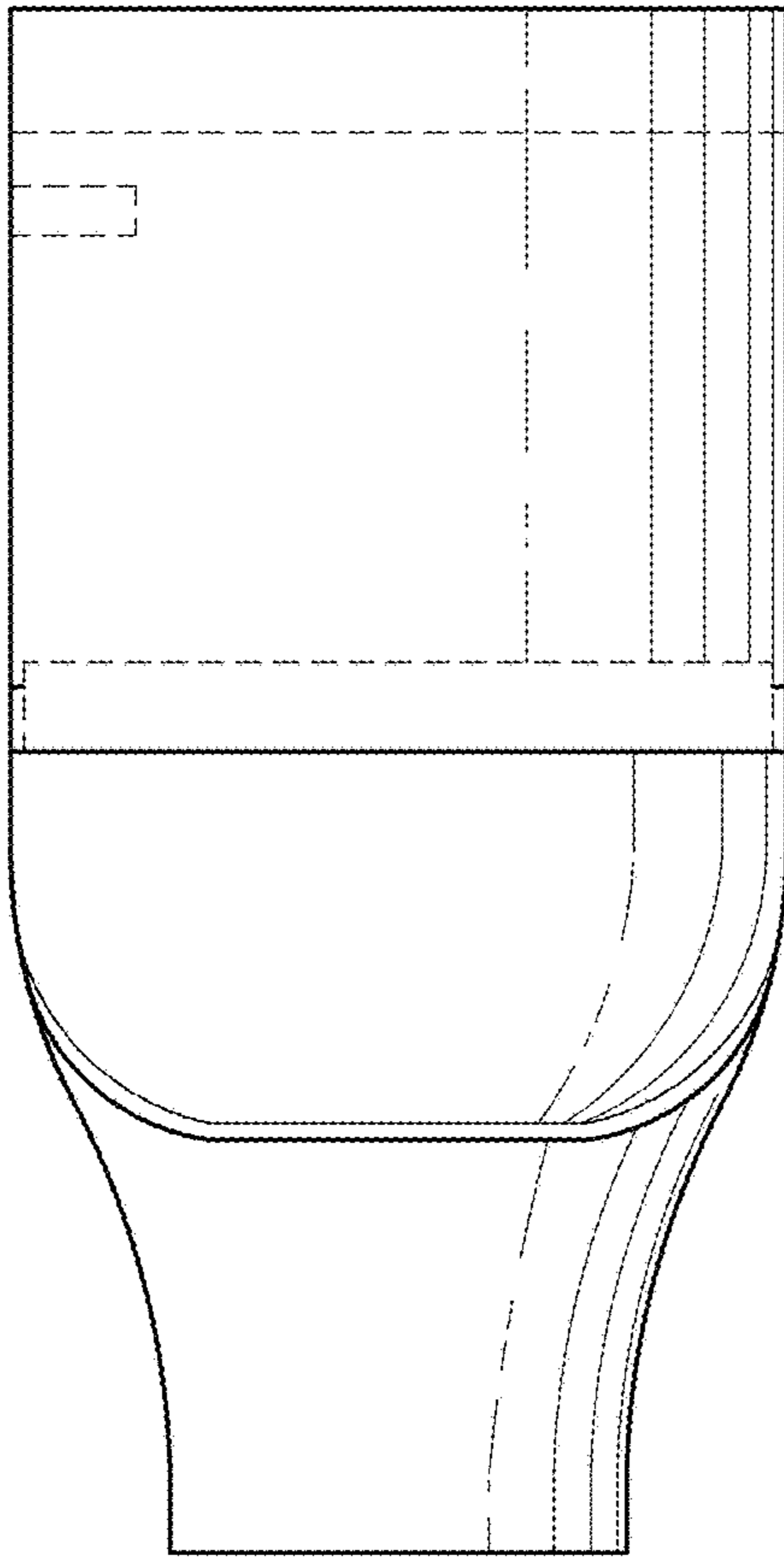


FIG. 5

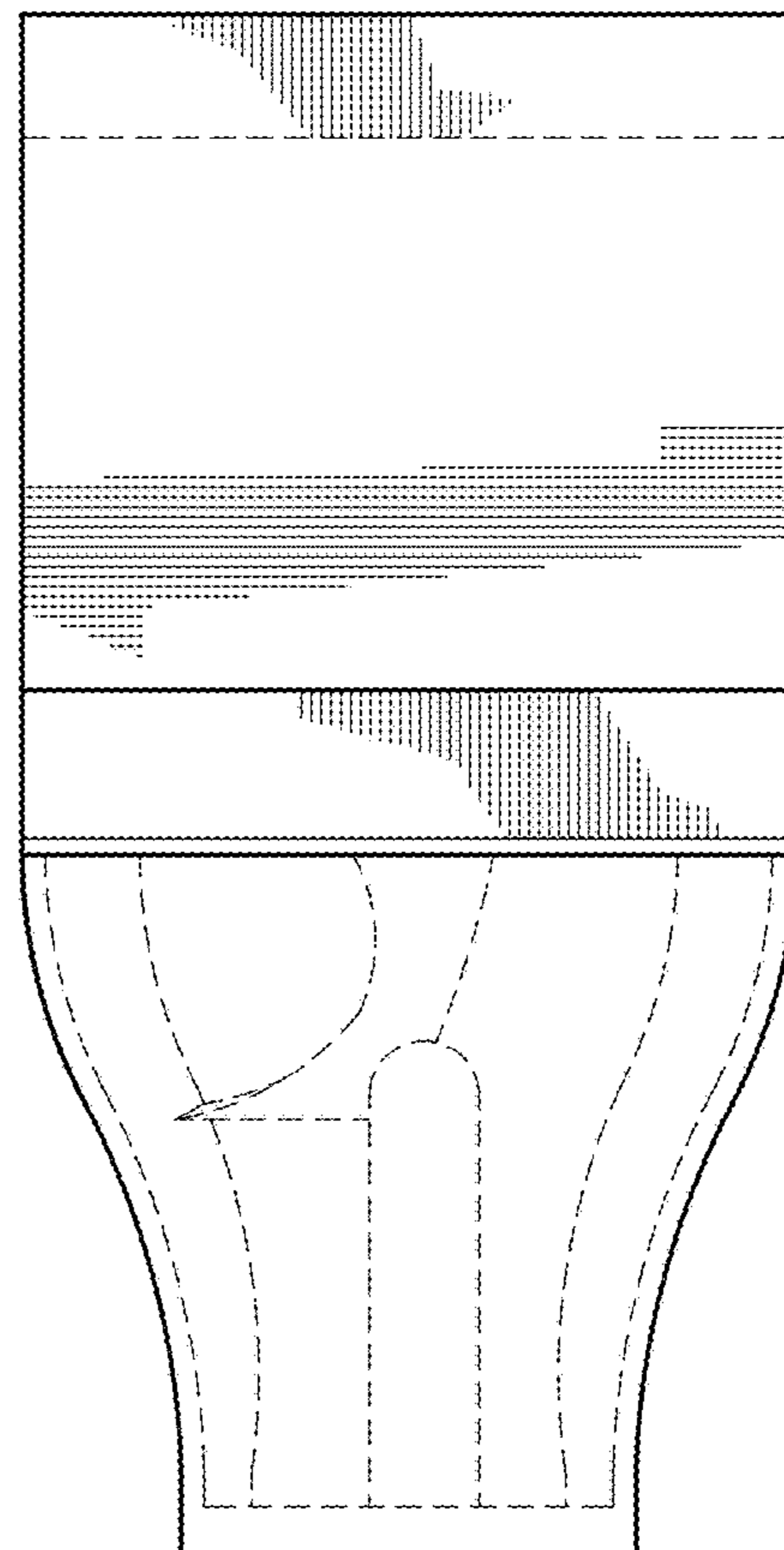


FIG. 6