

US00D807477S

(12) **United States Design Patent**
Papai et al.

(10) **Patent No.:** **US D807,477 S**
(45) **Date of Patent:** **** Jan. 9, 2018**

(54) **WATER SUPPLY THROUGHWAY FOR A URINAL**

(71) Applicant: **Sloan Valve Company**, Franklin Park, IL (US)

(72) Inventors: **Richard Papai**, Franklin Park, IL (US);
Allan A. Foytik, Addison, IL (US);
Martin Marcichow, Schaumburg, IL (US)

(73) Assignee: **Sloan Valve Company**, Franklin Park, IL (US)

(**) Term: **15 Years**

(21) Appl. No.: **29/559,267**

(22) Filed: **Mar. 25, 2016**

(51) **LOC (11) Cl.** **23-01**

(52) **U.S. Cl.**
USPC **D23/266**

(58) **Field of Classification Search**
USPC D23/238, 255–257, 259, 262–263, 266, D23/302–303; 138/103, 105, 120–123, 138/118, 118.1, 126, 128, 137, 141, 157, 138/40, 44; 285/39, 47, 83, 124.1, 124.5, 285/134.1, 179, 222.1, 242, 245–246, 285/256, 260, 276, 382.4; 4/675; 137/801
CPC .. F16L 11/21; F16L 21/06; F16L 11/16; F16L 9/22; F16L 39/00; F16L 37/148; F16L 43/001; F16L 43/002; B29D 13/001; E03C 1/20; E03C 1/22; E03C 1/2306; B05B 1/3006

See application file for complete search history.

(56) **References Cited**

U.S. PATENT DOCUMENTS

D31,553 S * 9/1899 Glauber D23/263
D229,409 S * 11/1973 Luckenbill et. al. D23/263

D354,553 S * 1/1995 Lange D23/263
D434,478 S * 11/2000 Sanders D23/266
6,270,126 B1 * 8/2001 Juedes B21D 15/06
285/246
D461,538 S * 8/2002 Gottwald D23/255
D461,539 S * 8/2002 Gottwald D23/255
D517,168 S * 3/2006 Marcichow D23/238
D598,985 S * 8/2009 Smith D23/259
D676,533 S * 2/2013 Clarke D23/263
D695,881 S * 12/2013 Aldana D23/324
D729,357 S * 5/2015 Ball E03C 1/20
D23/263
D739,509 S * 9/2015 Bazemore D23/263
D755,935 S * 5/2016 Bahler D23/257
D756,489 S * 5/2016 Bahler D23/257
D783,786 S * 4/2017 Madireddi D23/263
2004/0046386 A1 * 3/2004 Chien F16L 37/148
285/276
2013/0139923 A1 * 6/2013 Stokely E03L 37/095
138/103

* cited by examiner

Primary Examiner — Eric L Goodman

Assistant Examiner — Amy C Wierenga

(74) *Attorney, Agent, or Firm* — Banner & Witcoff, Ltd.

(57) **CLAIM**

The ornamental design for a water supply throughway for a urinal, as shown and described.

DESCRIPTION

FIG. 1 is a top, front, left perspective view of a water supply throughway for a urinal showing our new design;

FIG. 2 is a top view thereof;

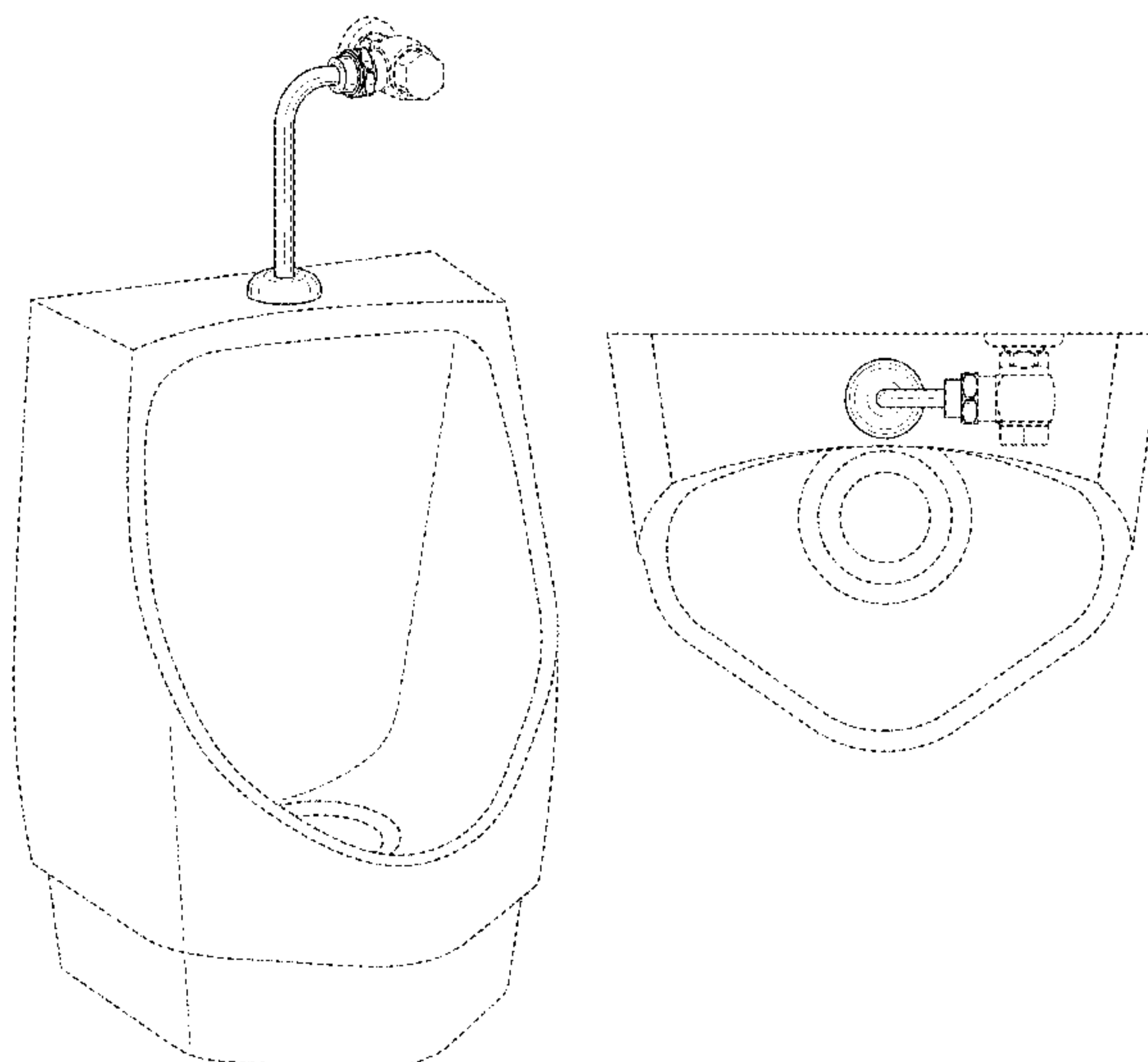
FIG. 3 is a front view thereof;

FIG. 4 is a left side view thereof; and,

FIG. 5 is a right side view thereof.

The broken lines immediately adjacent to the shaded area represent unclaimed boundaries of the design. The broken lines shown in the remainder of the drawings depict environment only that forms no part claim.

1 Claim, 5 Drawing Sheets



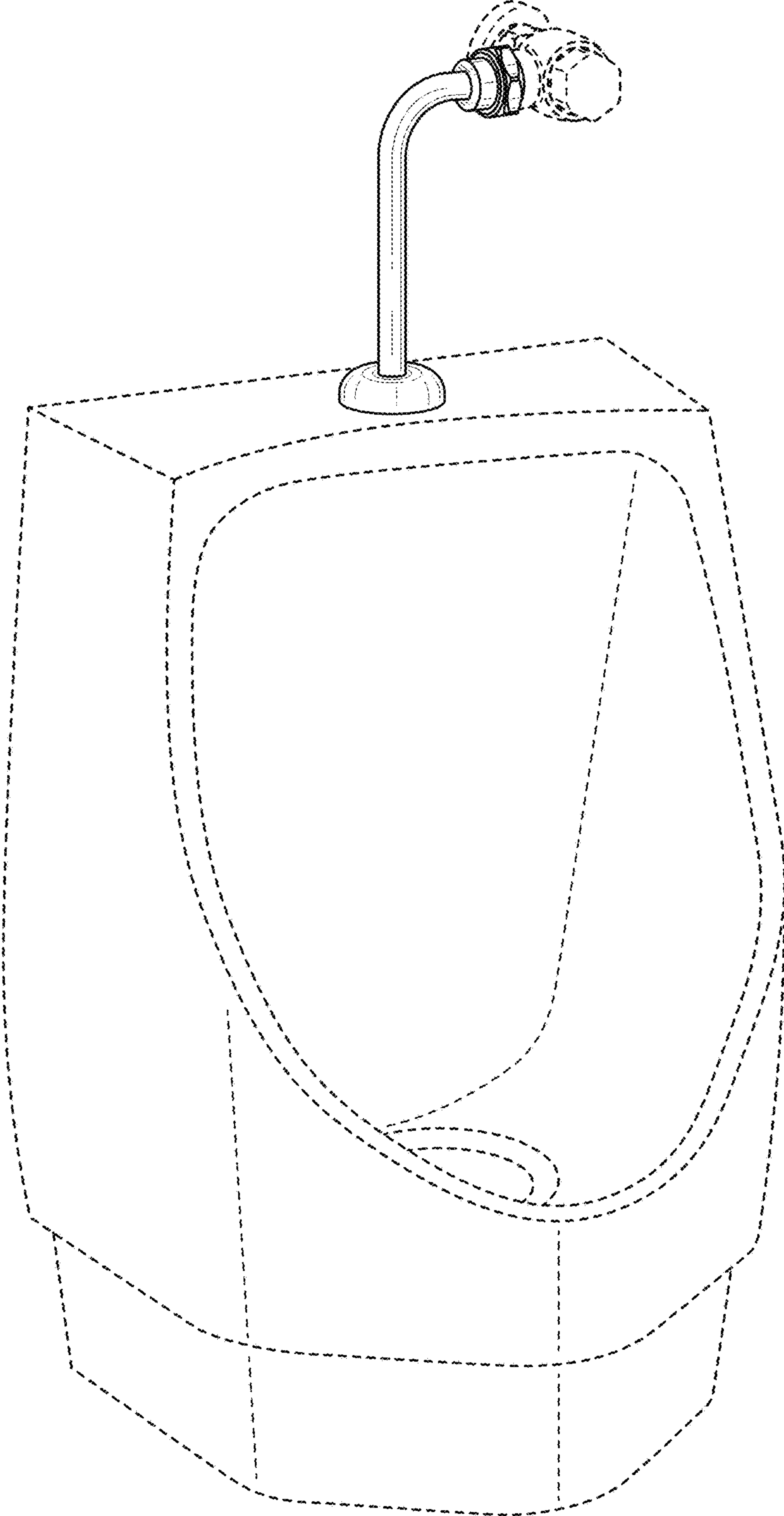


FIG. 1

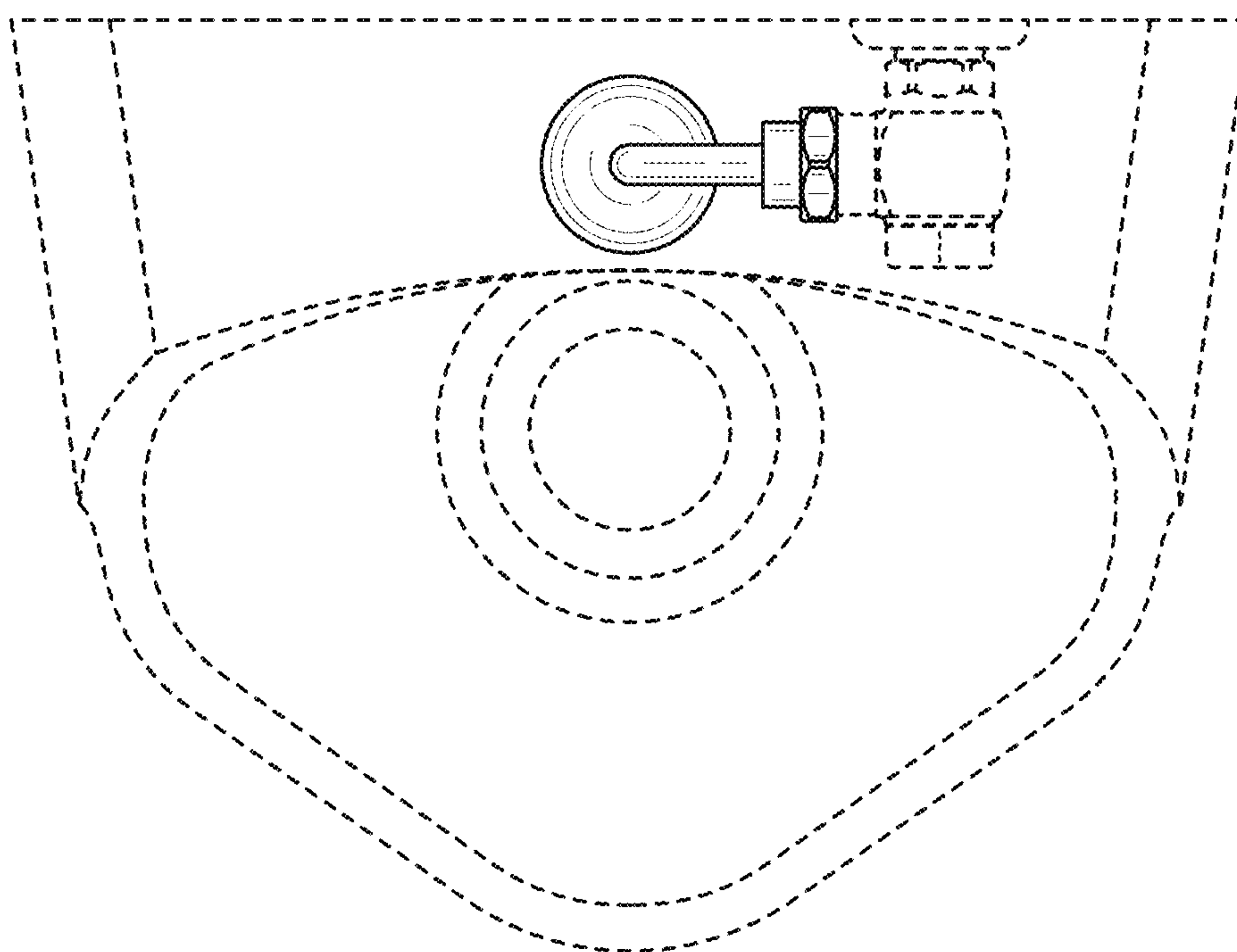


FIG. 2

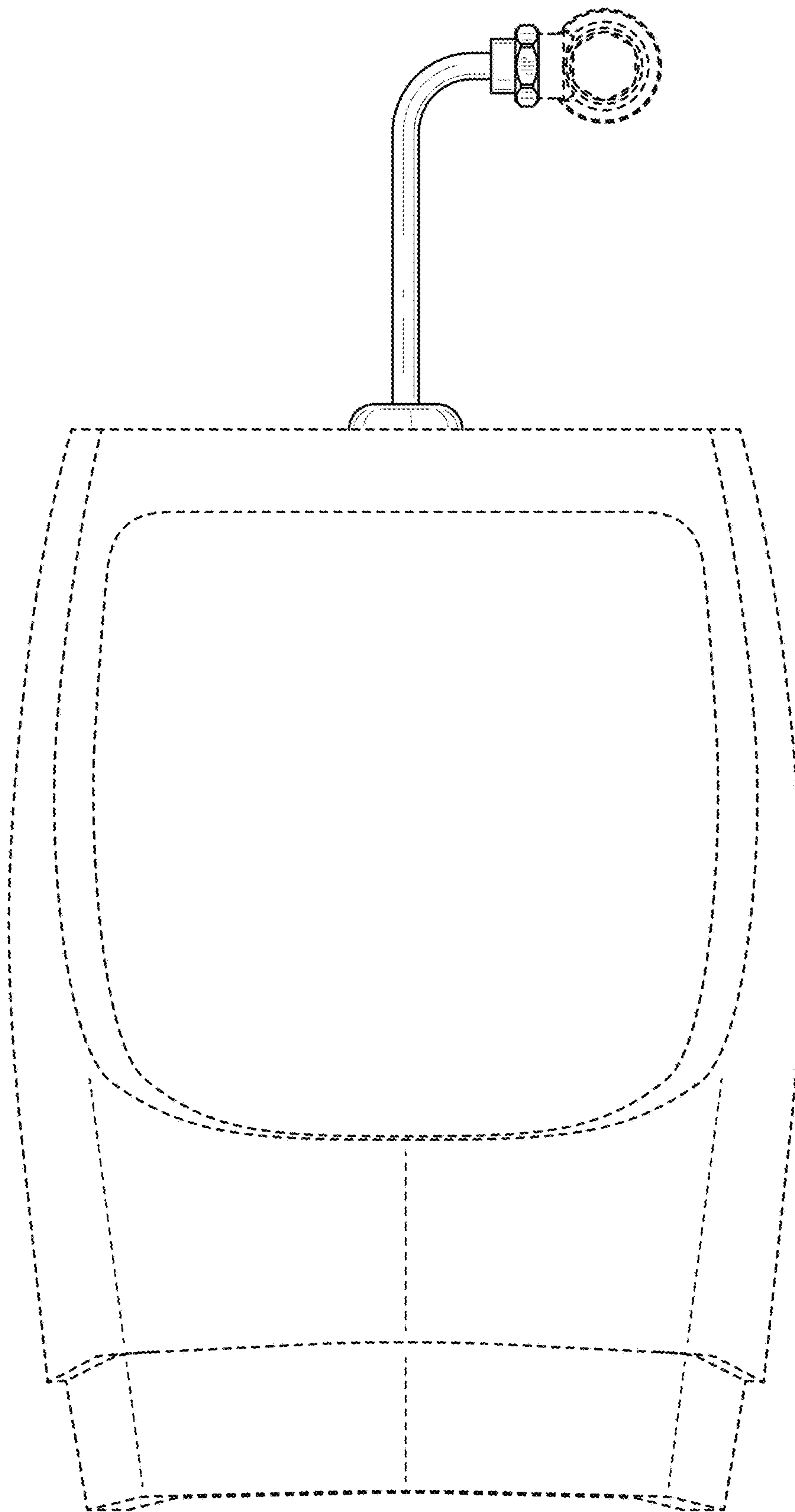


FIG. 3

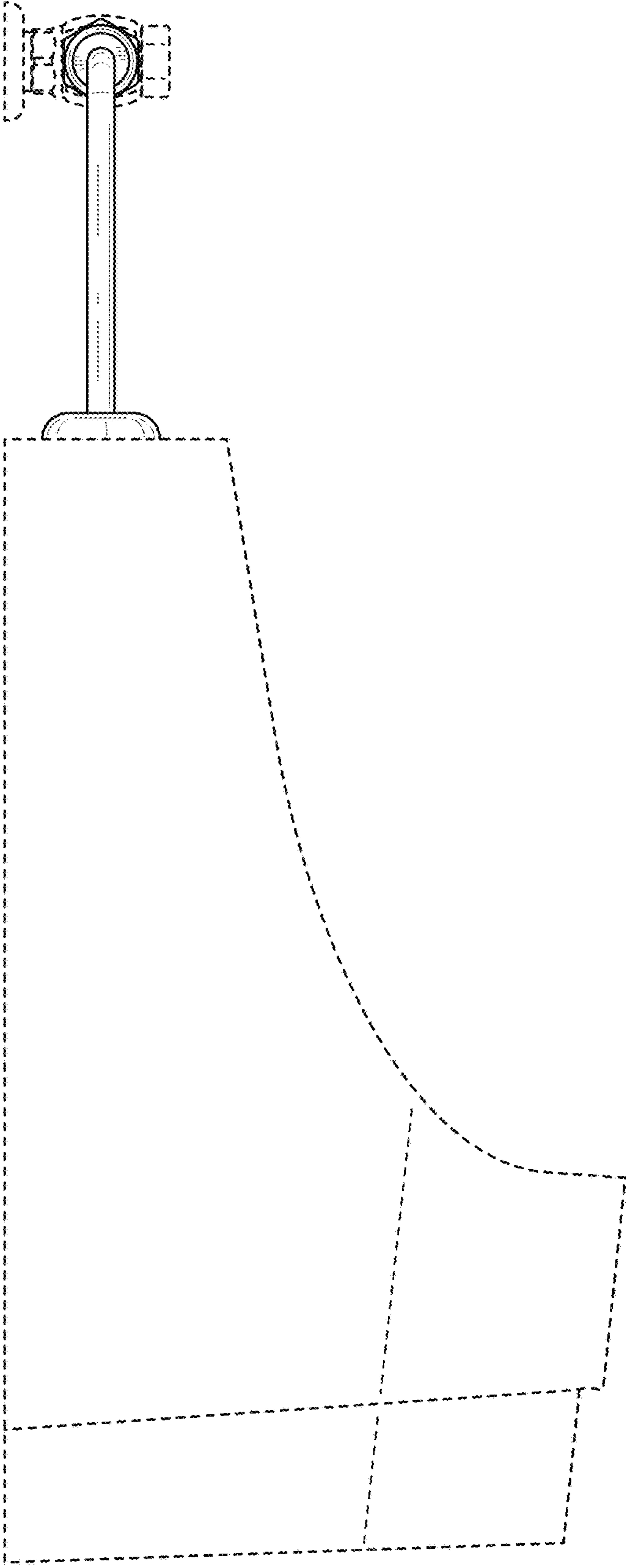


FIG. 4

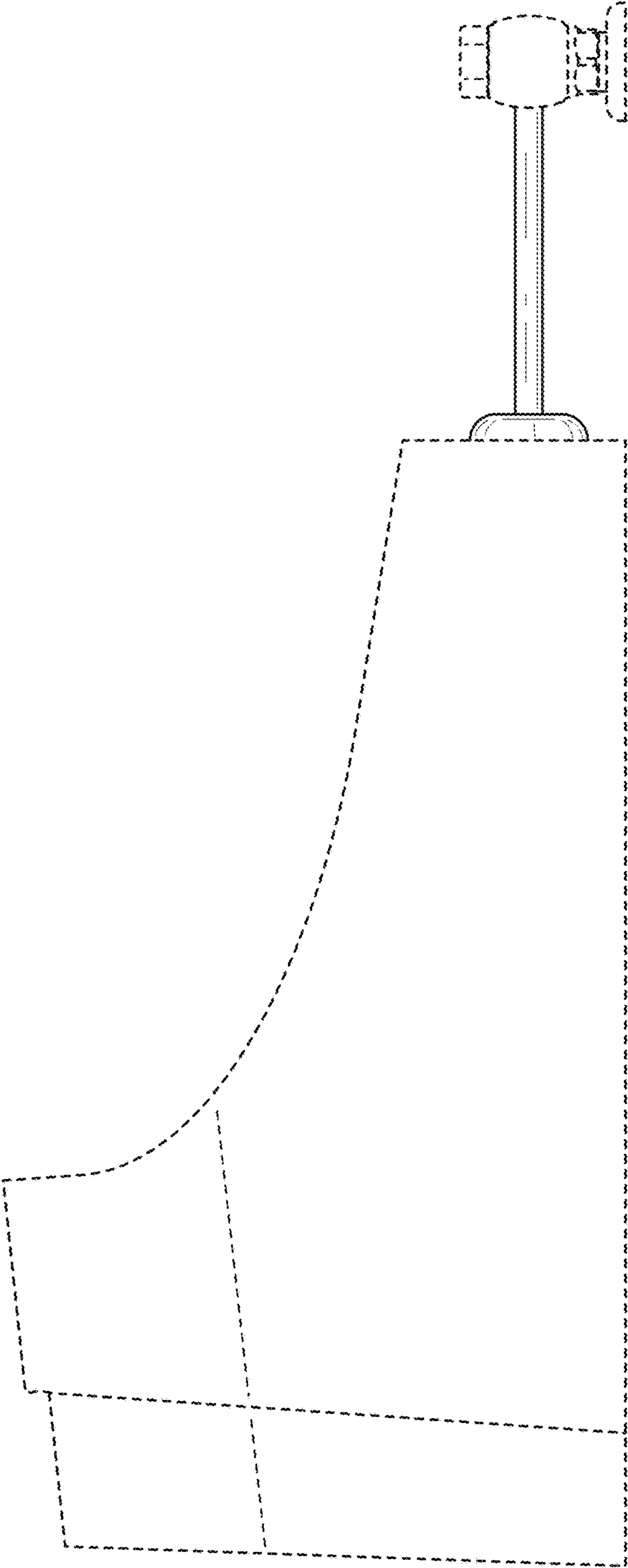


FIG. 5