



US00D807475S

(12) **United States Design Patent**  
**Rodriguez et al.**

(10) **Patent No.:** **US D807,475 S**  
(45) **Date of Patent:** **\*\* Jan. 9, 2018**

(54) **OSCILLATING SPRINKLER**

**DESCRIPTION**

(71) Applicant: **Orbit Irrigation Products, Inc.**, North Salt Lake, UT (US)

(72) Inventors: **Hugo Rodriguez**, South Salt Lake, UT (US); **Jeffrey C. Thurgood**, Severance, CO (US); **Amy Marie Yamasaki**, Fruit Heights, UT (US)

(73) Assignee: **Orbit Irrigation Products, Inc.**, North Salt Lake, UT (US)

(\*\*) Term: **15 Years**

(21) Appl. No.: **29/575,126**

(22) Filed: **Aug. 22, 2016**

(51) **LOC (11) Cl.** ..... **23-01**

(52) **U.S. Cl.**  
USPC ..... **D23/216**

(58) **Field of Classification Search**  
USPC ..... D23/214-216, 221; 239/201, 203, 263.3, 239/240

(Continued)

(56) **References Cited**

**U.S. PATENT DOCUMENTS**

D178,782 S \* 9/1956 Jepson ..... D23/216  
D282,769 S \* 2/1986 Lemkin ..... D23/216

(Continued)

**OTHER PUBLICATIONS**

Preliminary Amendment, U.S. Appl. No. 29/575,121, Dated Nov. 4, 2016 (shown in attachment 19).

(Continued)

*Primary Examiner* — Robin V Webster

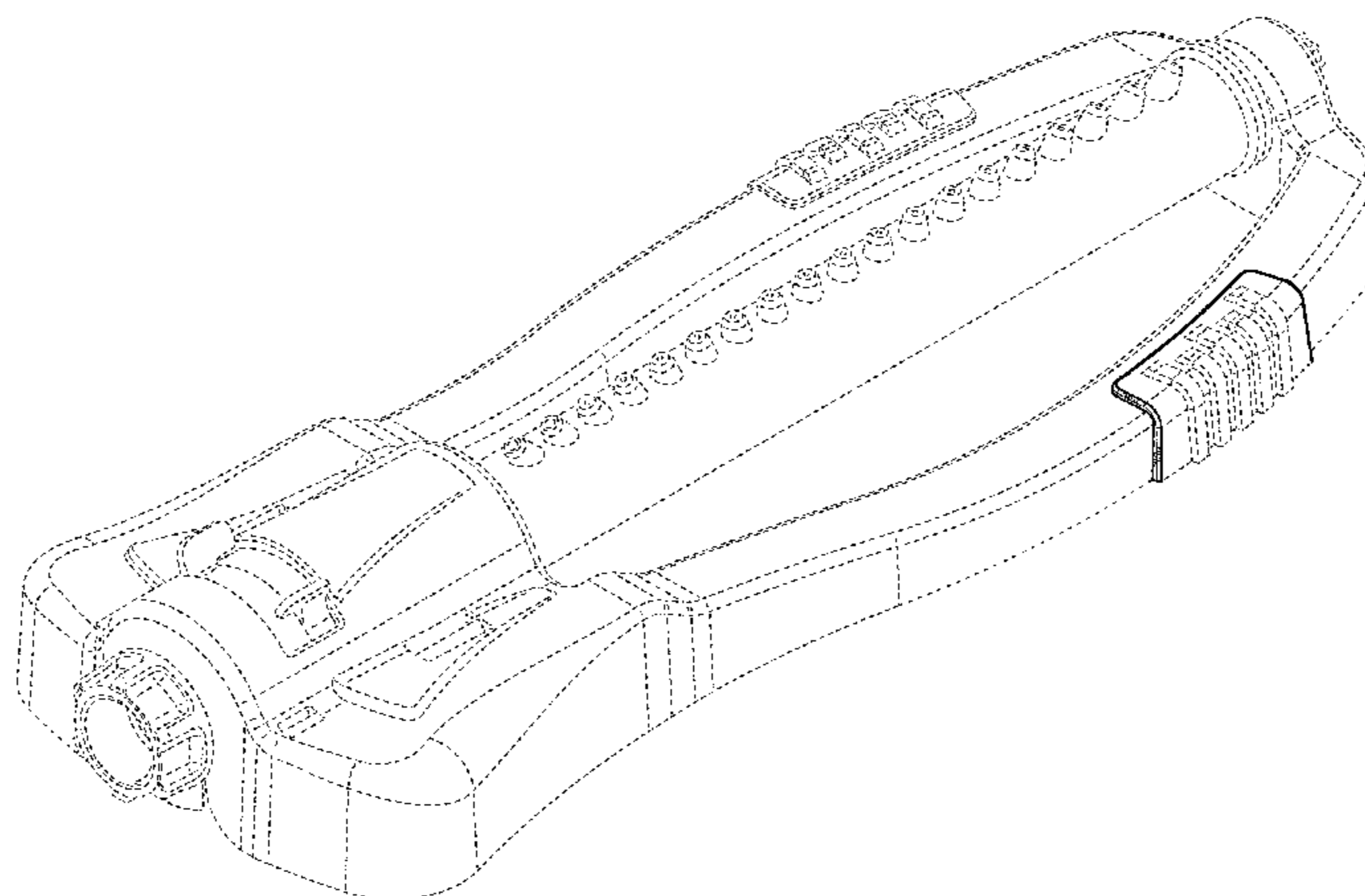
(74) *Attorney, Agent, or Firm* — Austin Rapp

(57) **CLAIM**

The ornamental design for an oscillating sprinkler, as shown and described.

FIG. 1 is a top perspective view of a first embodiment of an oscillating sprinkler, according to our new design;  
FIG. 2 is a bottom perspective view of the oscillating sprinkler shown in FIG. 1;  
FIG. 3 is a right side elevational view of the oscillating sprinkler shown in FIG. 1;  
FIG. 4 is a left side elevational view of the oscillating sprinkler shown in FIG. 1;  
FIG. 5 is a front side elevational view of the oscillating sprinkler shown in FIG. 1;  
FIG. 6 is a rear side elevational view of the oscillating sprinkler shown in FIG. 1;  
FIG. 7 is a top view of the oscillating sprinkler shown in FIG. 1;  
FIG. 8 is a bottom view of the oscillating sprinkler shown in FIG. 1;  
FIG. 9 is a top perspective view of a second embodiment of an oscillating sprinkler, according to our new design;  
FIG. 10 is a bottom perspective view of the oscillating sprinkler shown in FIG. 9;  
FIG. 11 is a right side elevational view of the oscillating sprinkler shown in FIG. 9;  
FIG. 12 is a left side elevational view of the oscillating sprinkler shown in FIG. 9;  
FIG. 13 is a front side elevational view of the oscillating sprinkler shown in FIG. 9;  
FIG. 14 is a rear side elevational view of the oscillating sprinkler shown in FIG. 9;  
FIG. 15 is a top side view of the oscillating sprinkler shown in FIG. 9; and,  
FIG. 16 is a bottom side view of the oscillating sprinkler shown in FIG. 9.  
The broken lines showing portions of the sprinkler are included for purposes of illustrating environmental structure and form no part of the claimed design.

**1 Claim, 12 Drawing Sheets**



(58) **Field of Classification Search**

CPC ..... A01G 25/00; B05B 15/10; B05B 1/34;  
B05B 3/044

See application file for complete search history.

(56) **References Cited**

U.S. PATENT DOCUMENTS

D371,596	S *	7/1996	Simonetti	.....	D23/214
D383,193	S *	9/1997	Heren	.....	D23/216
D440,629	S *	4/2001	Guo	.....	D23/216
D470,218	S *	2/2003	Alkalay	.....	D23/216
7,252,246	B2 *	8/2007	Heren	.....	B05B 1/1654 239/225.1
7,607,590	B2 *	10/2009	Nies	.....	B05B 3/044 239/242
D613,371	S *	4/2010	Nies	.....	D23/216
D618,308	S *	6/2010	Nies	.....	D23/216
D652,483	S *	1/2012	Nies	.....	D23/221
D652,484	S *	1/2012	Nies	.....	D23/221
D652,486	S *	1/2012	Nies	.....	D23/221
8,534,573	B2 *	9/2013	Wang	.....	B05B 3/044 239/227
D702,814	S *	4/2014	Vedantam	.....	D23/221
9,346,065	B2 *	5/2016	Su	.....	B05B 1/205

OTHER PUBLICATIONS

U.S. Appl. No. 29/575,121, filed Aug. 22, 2016, Orbit Irrigation Products, Inc.

Orbit Irrigation Products, Inc., Product No. 56133, shown in attachment 1, was sold or offered for sale at least by Jul. 21, 2015.

Orbit Irrigation Products, Inc., Product No. 58303, shown in attachment 2, was sold or offered for sale at least by Jul. 21, 2015.

Orbit Irrigation Products, Inc., Product No. 58893, shown in attachment 3, was sold or offered for sale at least by Jul. 21, 2015.

Orbit Irrigation Products, Inc., Product No. 58895, shown in attachment 4, was sold or offered for sale at least by Jul. 21, 2015.

Orbit Irrigation Products, Inc., Product No. 58294, shown in attachment 5, was sold or offered for sale at least by Jul. 21, 2015.

Orbit Irrigation Products, Inc., Product No. 58631, shown in attachment 6, was sold or offered for sale at least by Jul. 21, 2015.

Orbit Irrigation Products, Inc., Product No. 58897, shown in attachment 7, was sold or offered for sale at least by Jul. 21, 2015.

Orbit Irrigation Products, Inc., Product No. 56058, shown in attachment 8, was sold or offered for sale at least by Jul. 21, 2015.

Gardena (Brand Name), Product No. 1980-U, shown in attachment 9, was apparently sold or offered for sale at least by Jul. 21, 2015.

Gardena (Brand Name), Product No. 34000, shown in attachment 10, was apparently sold or offered for sale at least by Jul. 21, 2015.

Gardena (Brand Name), Product No. 35012, shown in attachment 11, was apparently sold or offered for sale at least by Jul. 21, 2015.

Melnor, Inc., Product No. 204-933, shown in attachment 12, was apparently sold or offered for sale at least by Jul. 21, 2015.

Melnor, Inc., Product No. 172-849, shown in attachment 13, was apparently sold or offered for sale at least by Jul. 21, 2015.

Gilmour (Brand Name), Product No. 8830NGF, shown in attachment 14, was apparently sold or offered for sale at least by Jul. 21, 2015.

Gilmour (Brand Name), Product No. 7800pm, shown in attachment 15, was apparently sold or offered for sale at least by Jul. 21, 2015.

Gilmour (Brand Name), Product No. 7900pm, shown in attachment 16, was apparently sold or offered for sale at least by Jul. 21, 2015.

Yardsmith (Brand Name), Product No. 8833, shown in attachment 17, was apparently sold or offered for sale at least by Jul. 21, 2015.

Ray Padula (Brand Name), Product No. RP-OSCD4Q, shown in attachment 18, was apparently sold or offered for sale at least by Jul. 21, 2015.

Notice of Allowance and Fee(s) Due (including a Notice of Allowability for a Design Application section, and an Examinees Amendment section), U.S. Appl. No. 29/575,121, dated Aug. 30, 2017.

\* cited by examiner

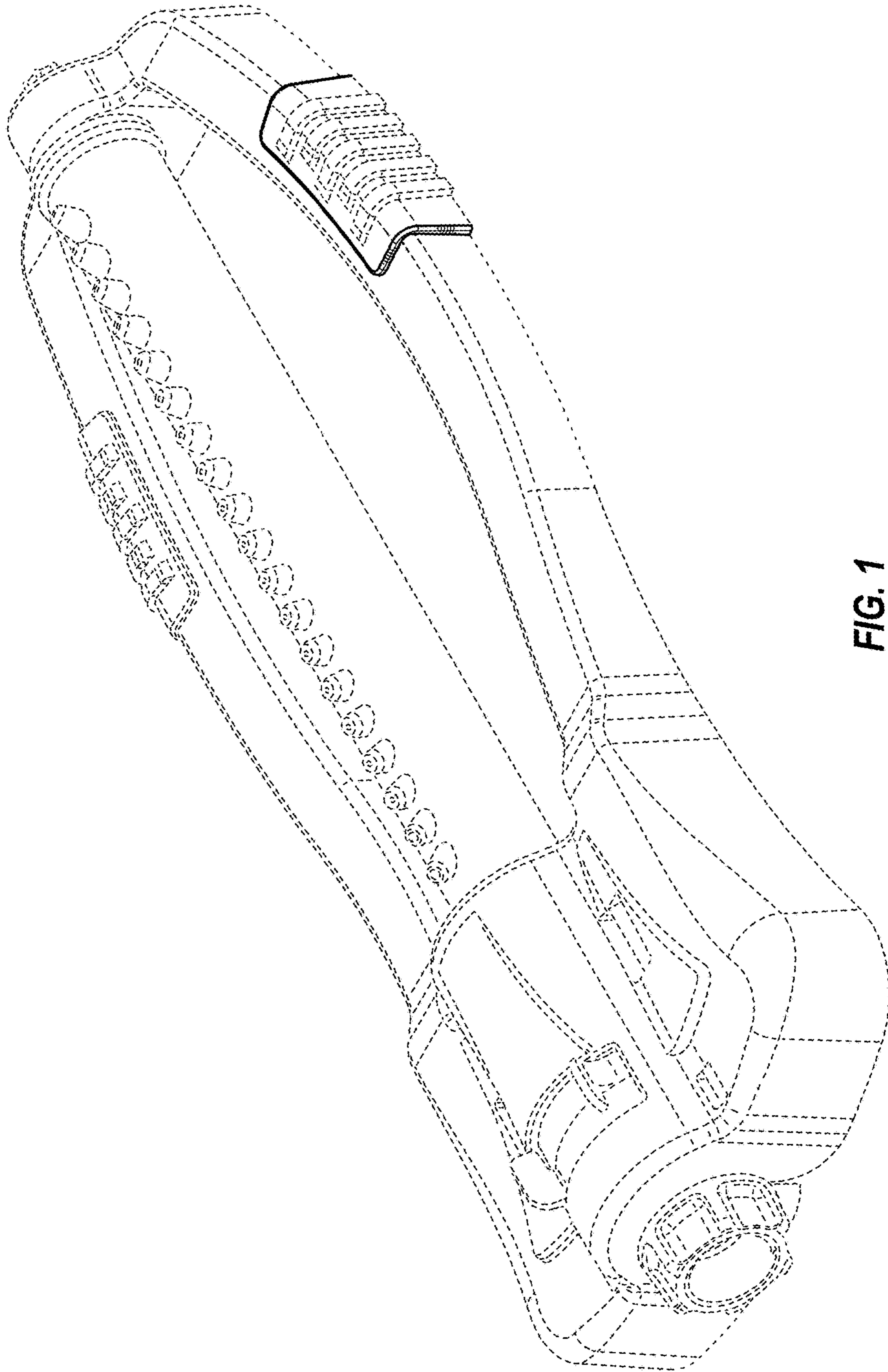


FIG. 1

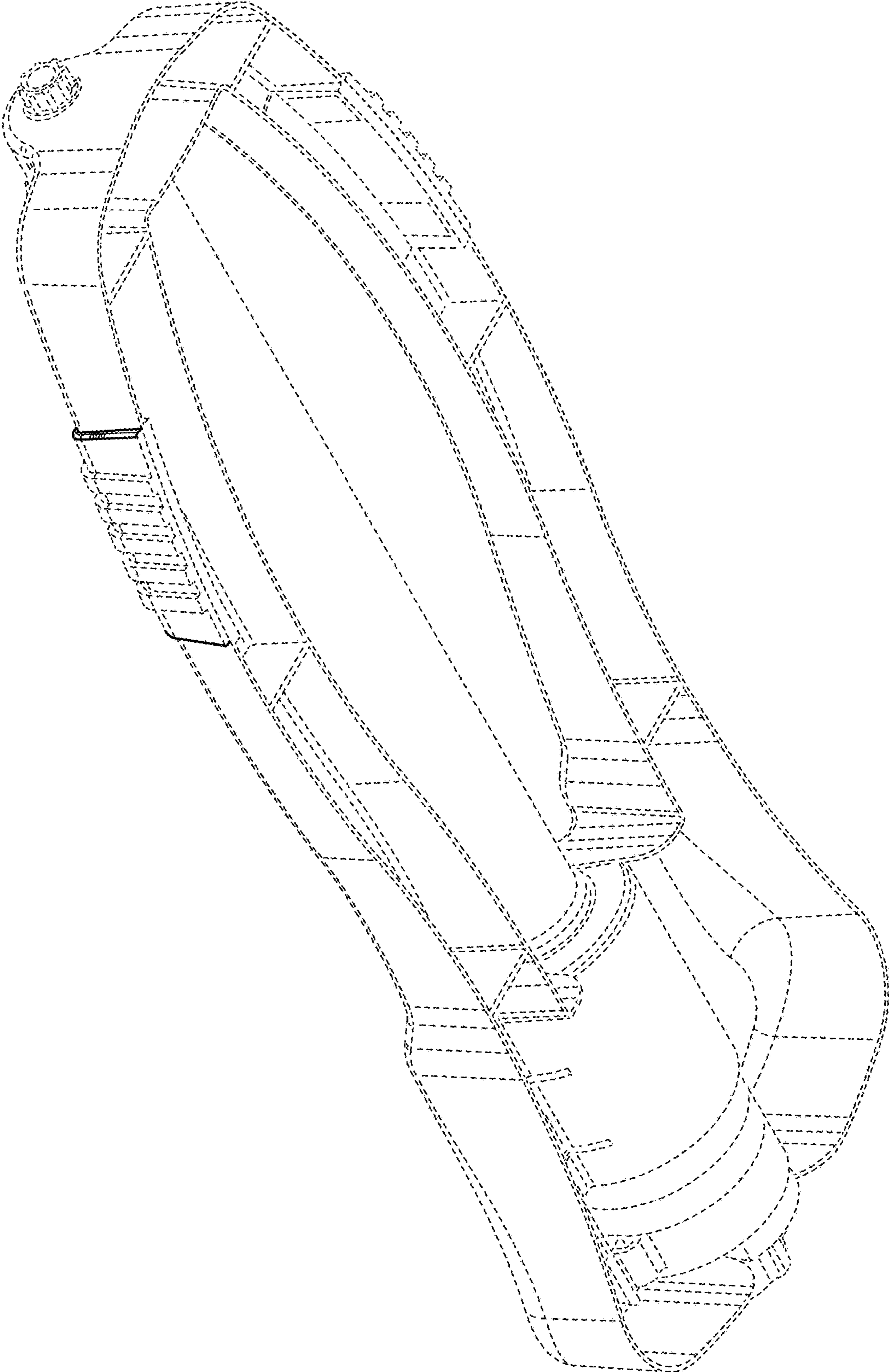


FIG. 2

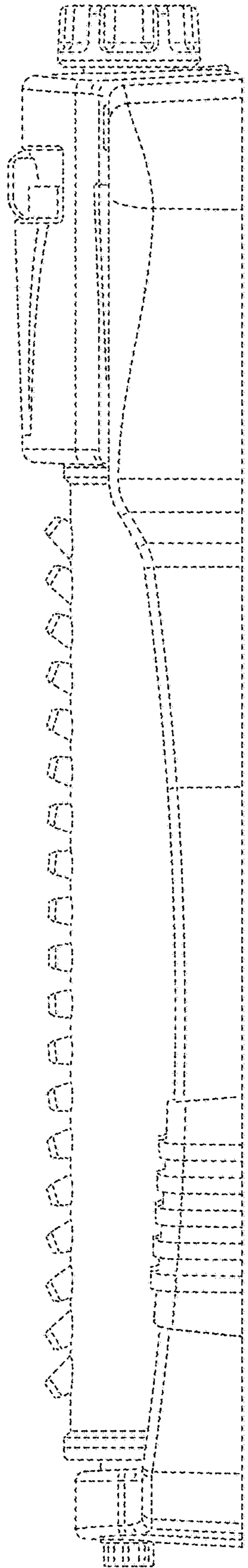


FIG. 3

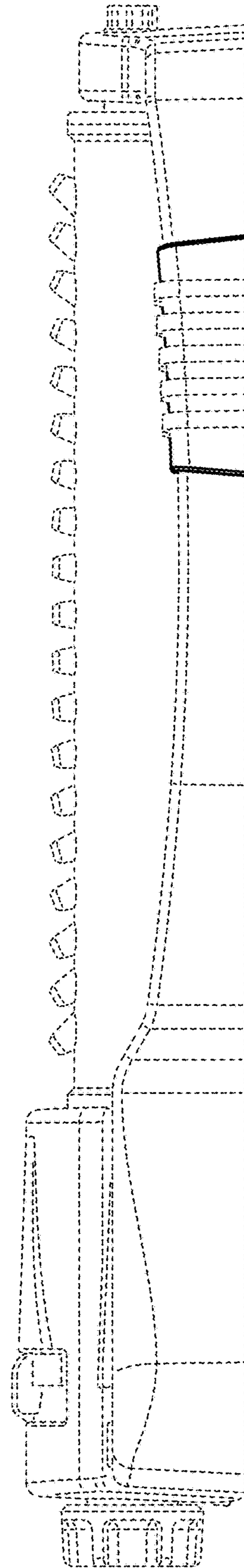
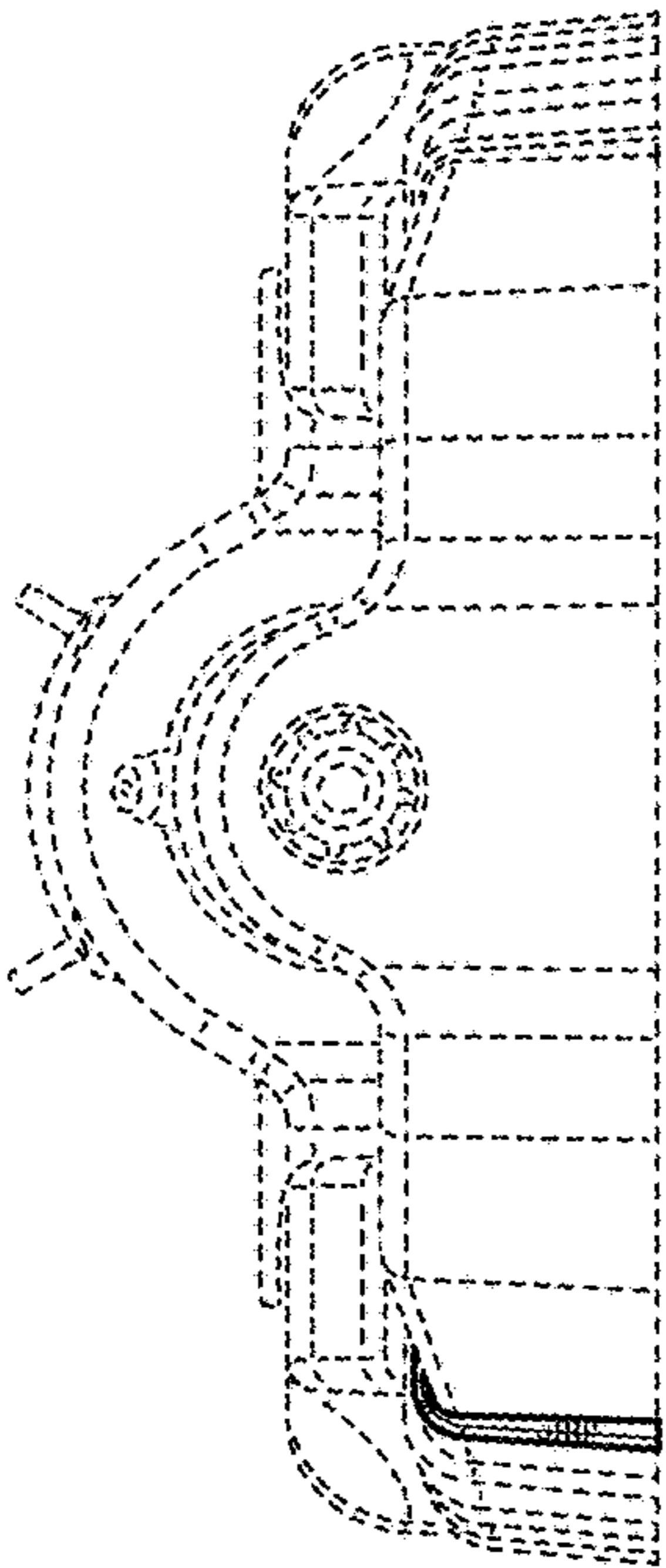
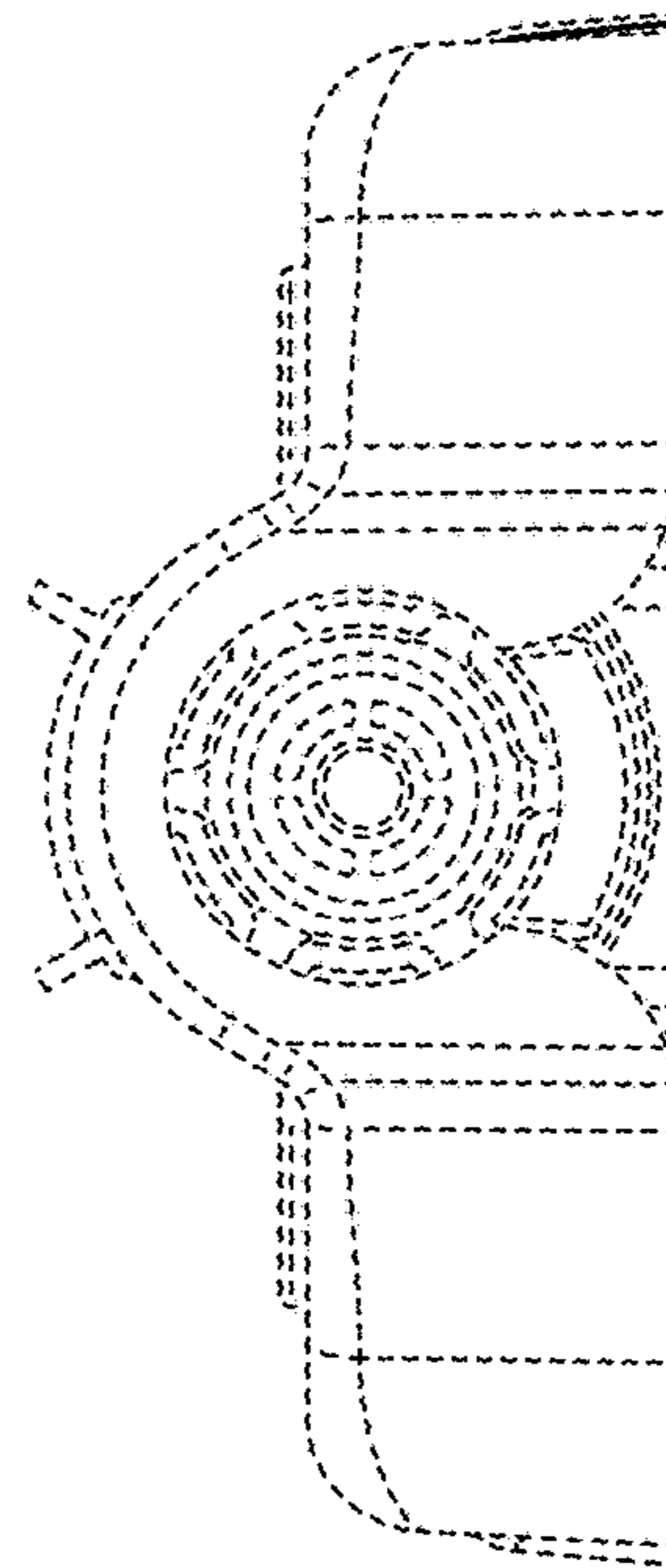


FIG. 4



**FIG. 5**



**FIG. 6**

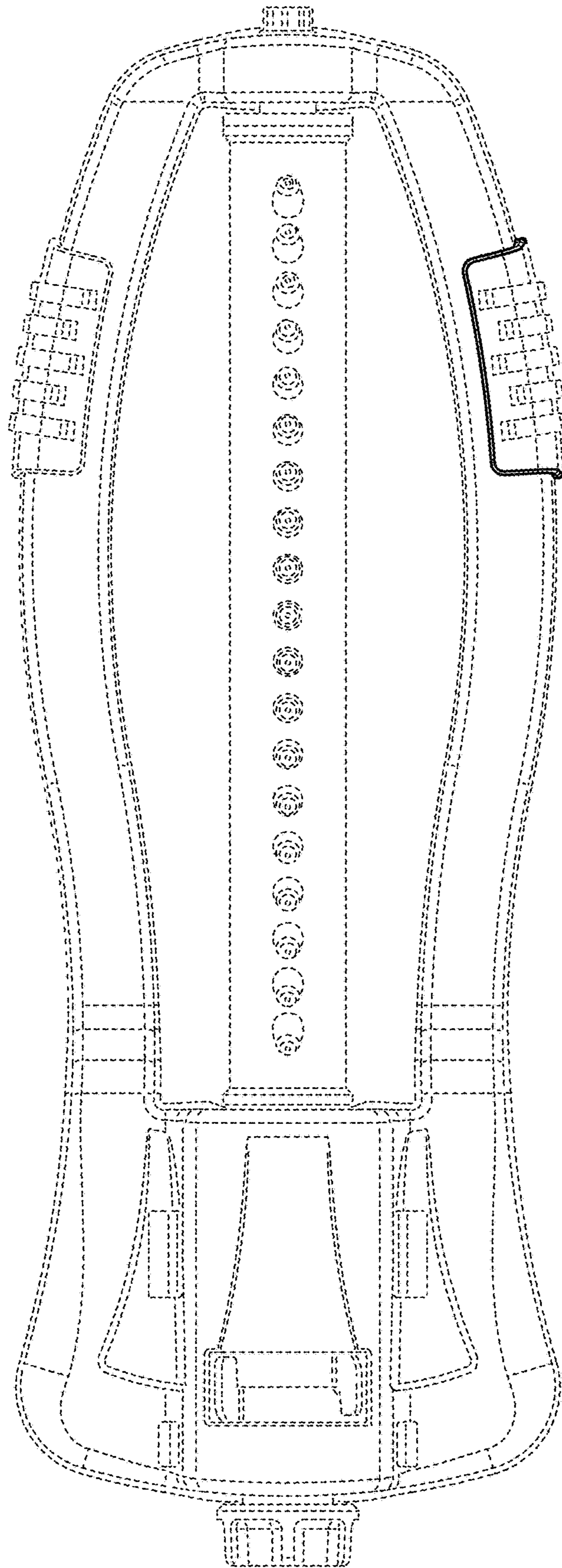


FIG. 7

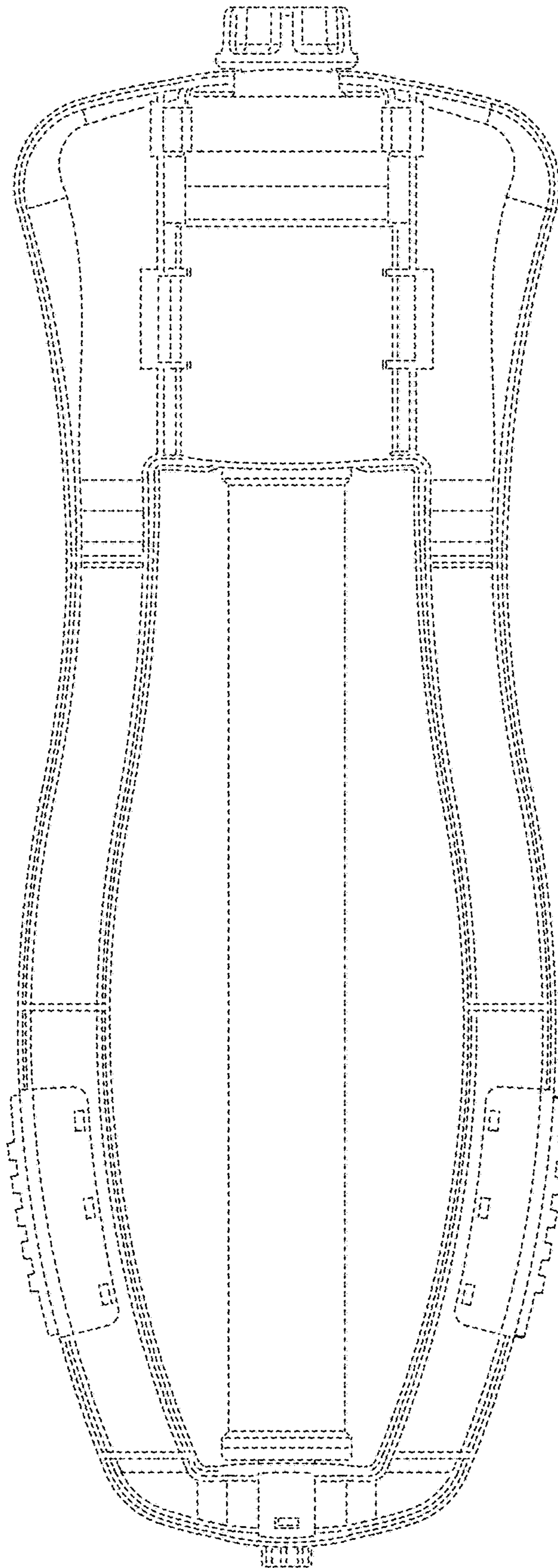


FIG. 8



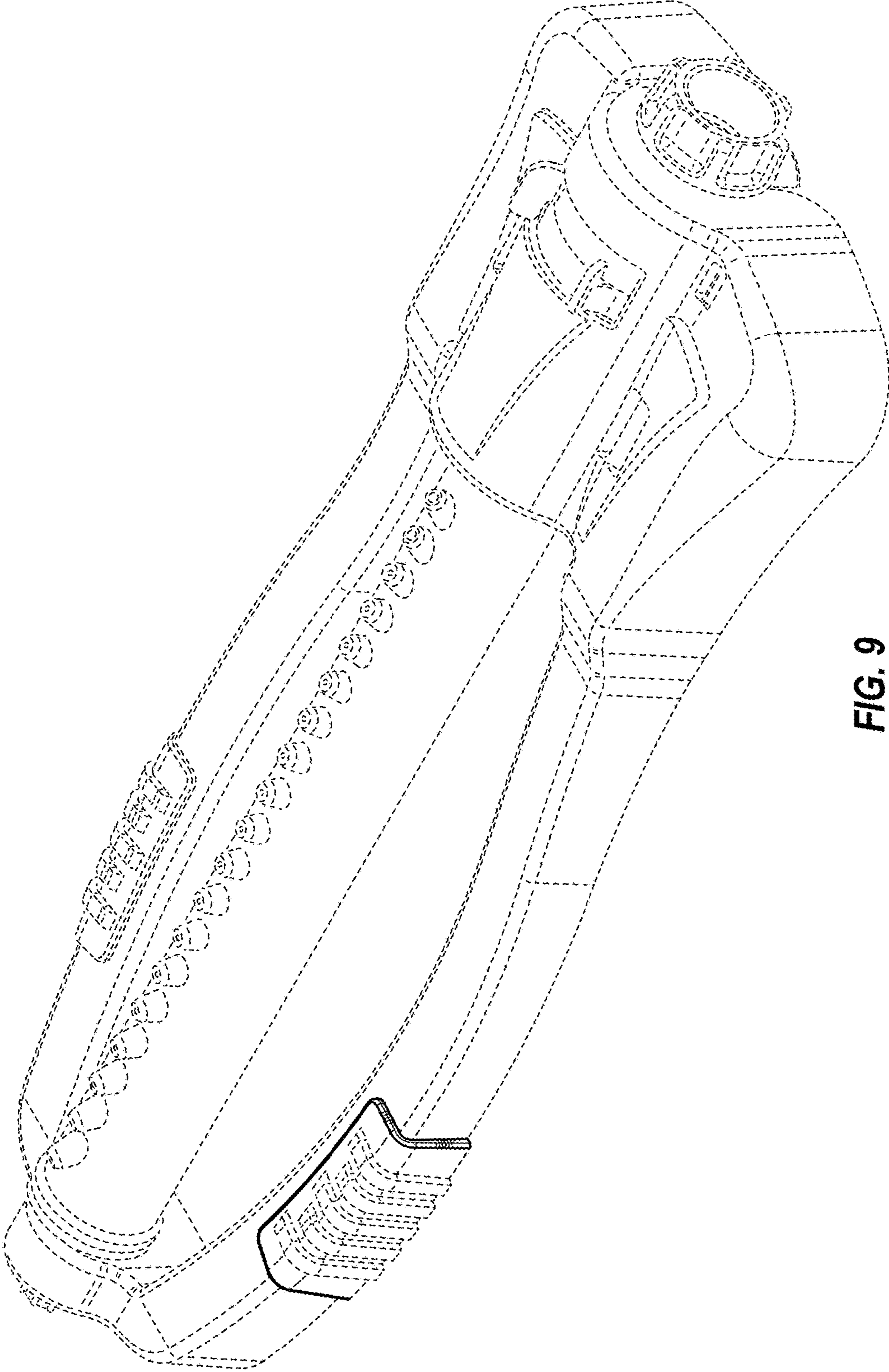
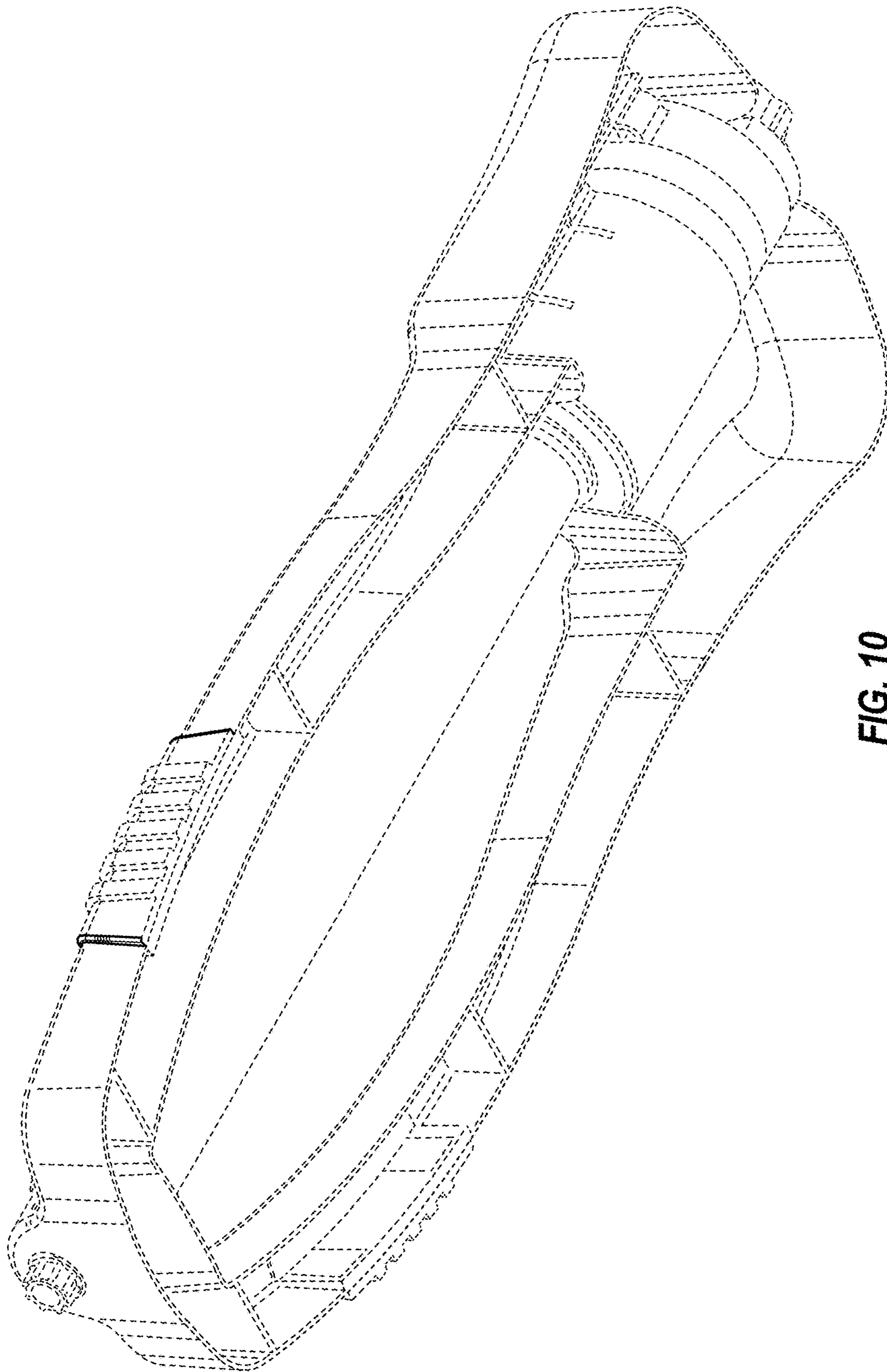


FIG. 9



**FIG. 10**

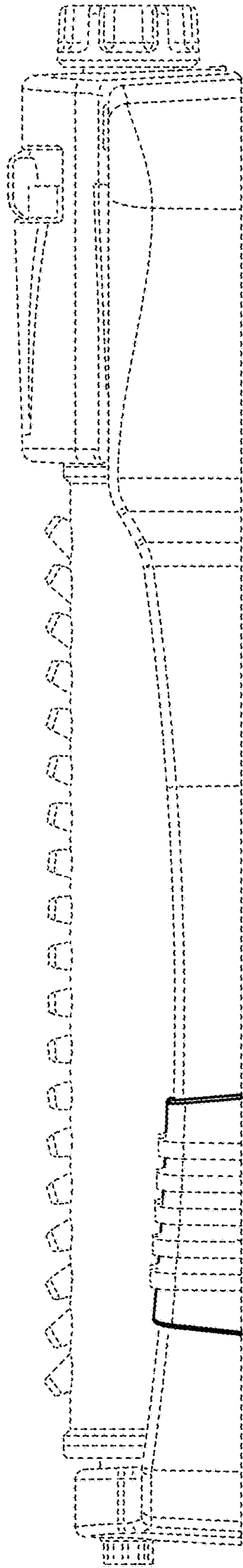


FIG. 11

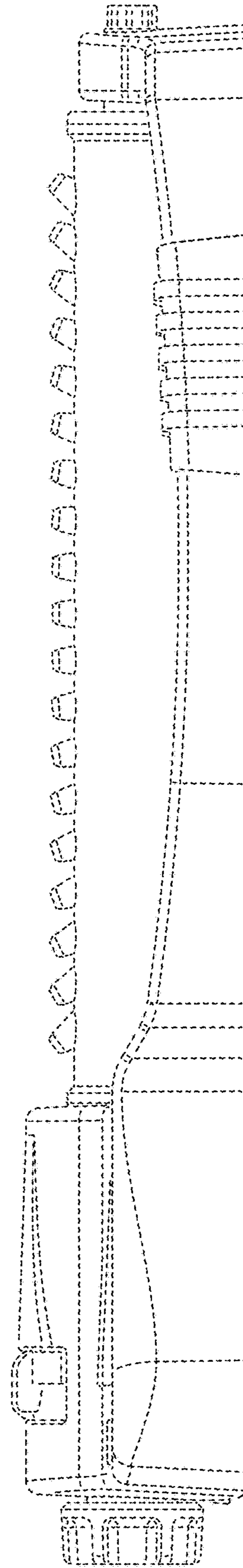
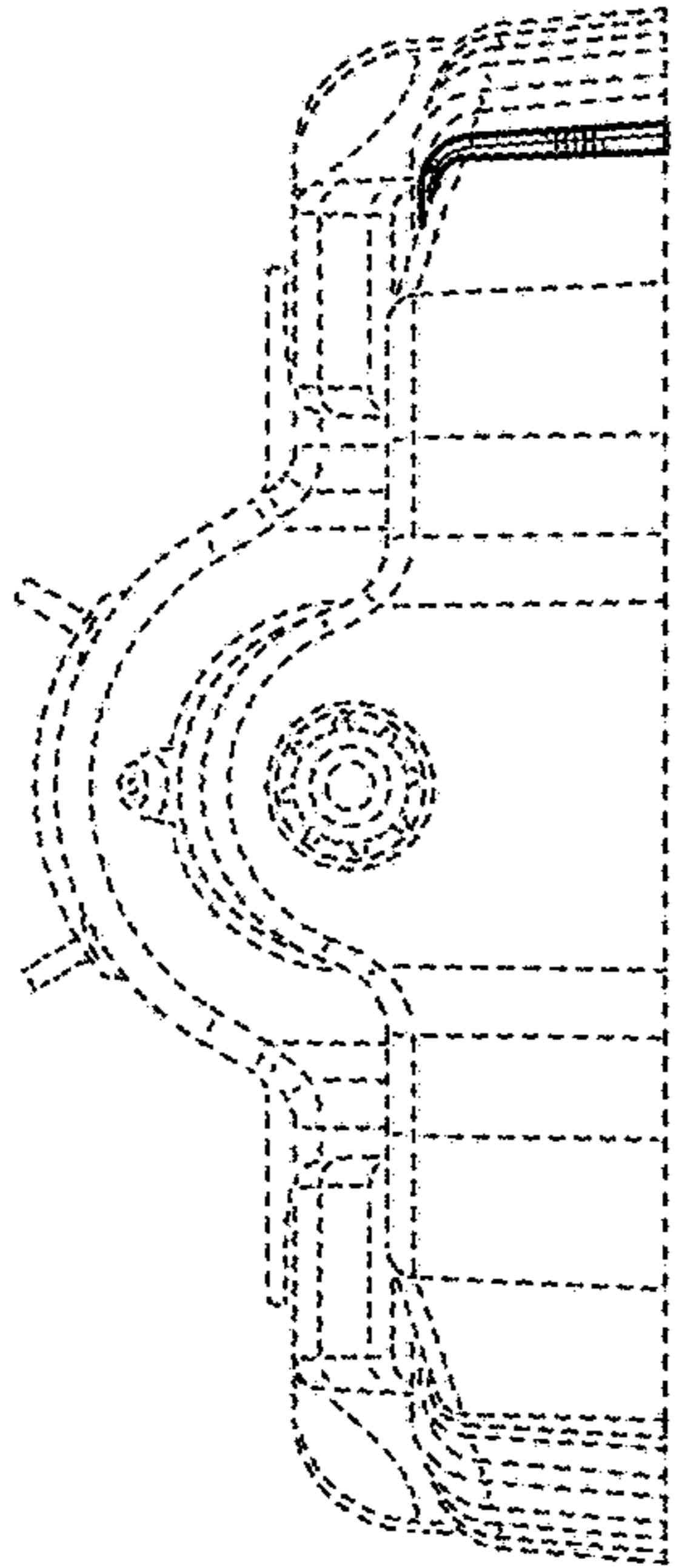
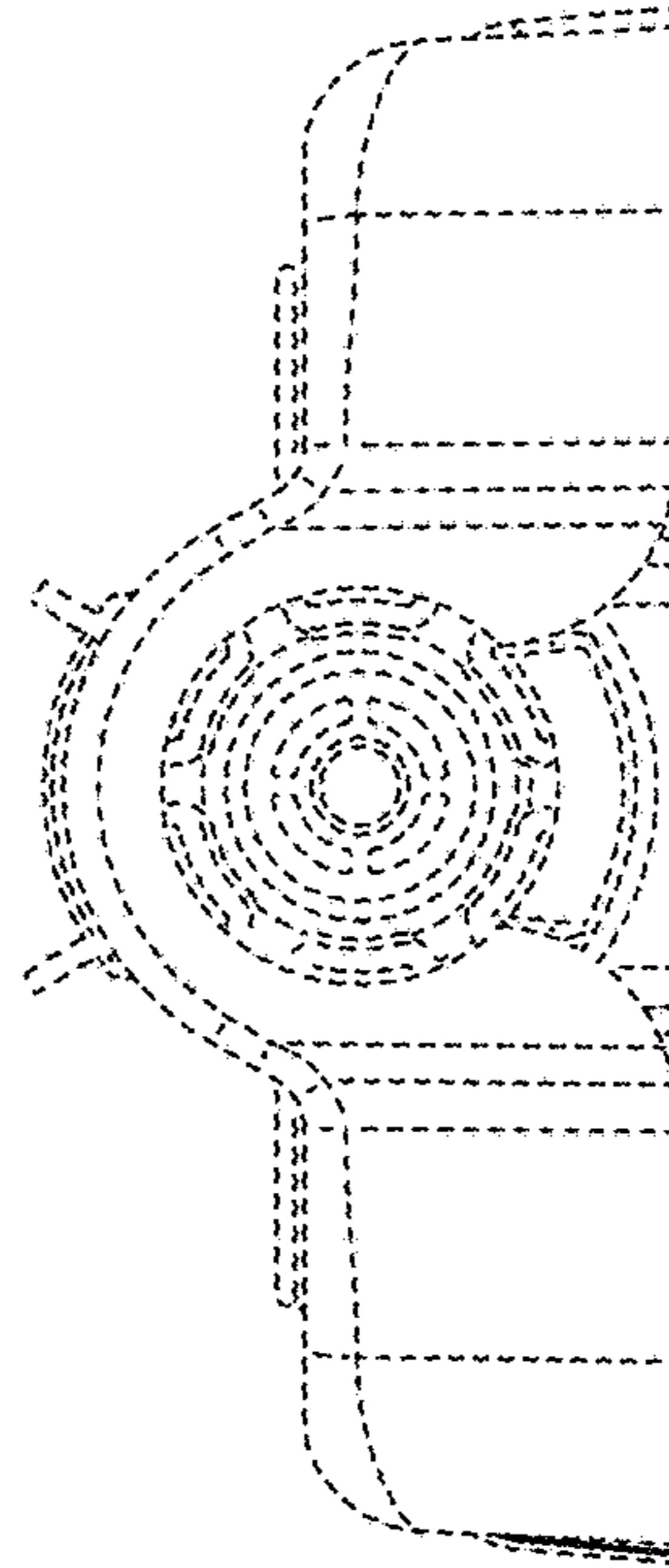


FIG. 12



**FIG. 13**



**FIG. 14**

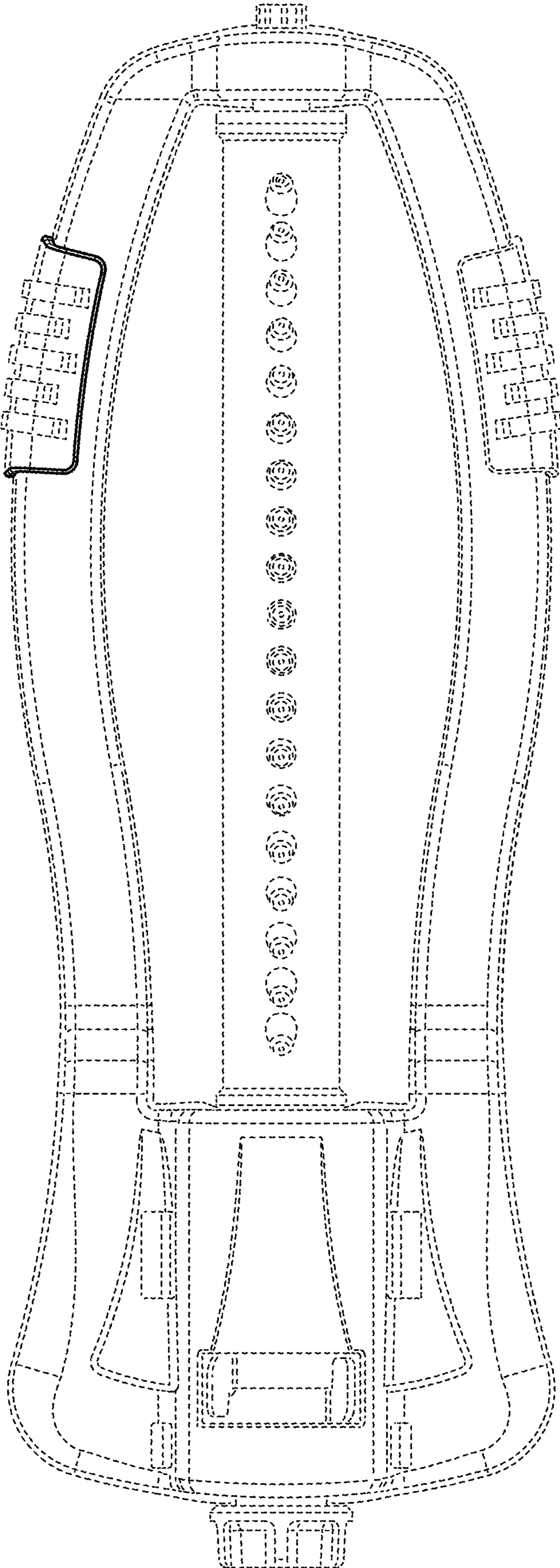


FIG. 15

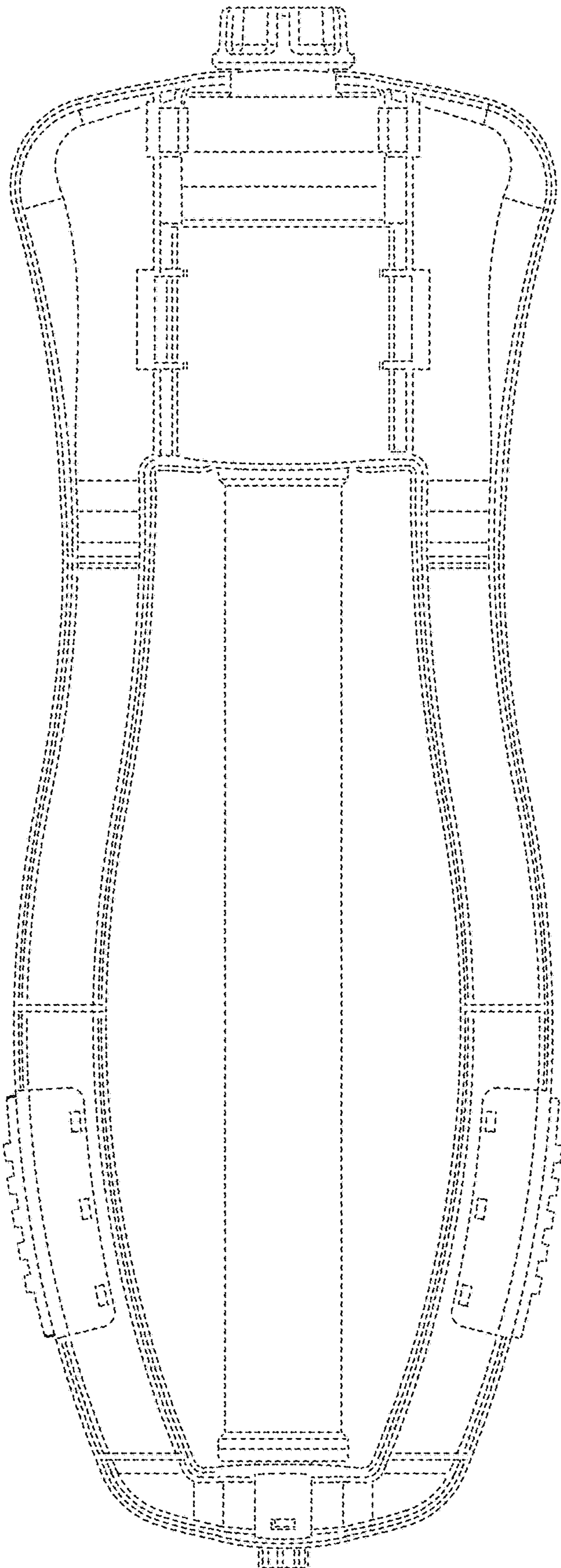


FIG. 16