

US00D807471S

(12) **United States Design Patent**
Peralta

(10) **Patent No.:** **US D807,471 S**
(45) **Date of Patent:** **** Jan. 9, 2018**

(54) **APPARATUS TO OZONIZE WATER**

(71) Applicant: **Alejo Segura Peralta**, Benito Juarez
(MX)

(72) Inventor: **Alejo Segura Peralta**, Benito Juarez
(MX)

(**) Term: **15 Years**

(21) Appl. No.: **29/573,228**

(22) Filed: **Aug. 3, 2016**

(51) **LOC (11) Cl.** **23-01**

(52) **U.S. Cl.**
USPC **D23/207**

(58) **Field of Classification Search**
USPC D23/209; 210/232, 234, 282, 223, 435,
210/241; 202/81, 83
CPC C02F 1/003; C02F 1/42; B01D 19/0031;
B01D 35/30; B01D 35/12; B01D 35/14
See application file for complete search history.

(56) **References Cited**

U.S. PATENT DOCUMENTS

D128,276 S * 7/1941 Butler D23/207
D128,277 S * 7/1941 Butler D23/207

D128,278 S * 7/1941 Butler D23/207
D672,008 S * 12/2012 Underwood D14/218
9,149,745 B2 * 10/2015 Senninger B01D 35/02

* cited by examiner

Primary Examiner — Robin V Webster
(74) *Attorney, Agent, or Firm* — Charter IP, LLC;
Matthew J. Lattig

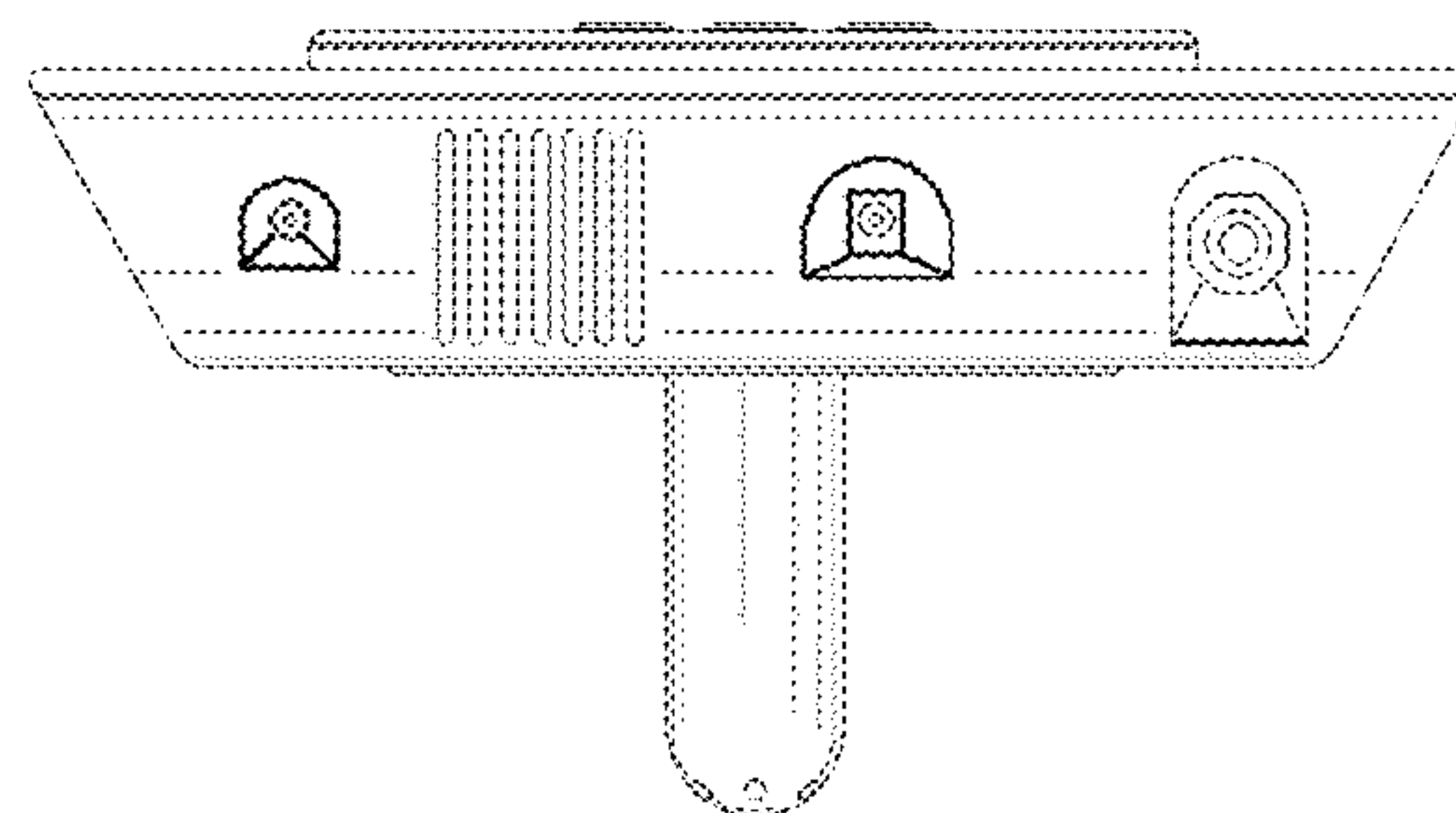
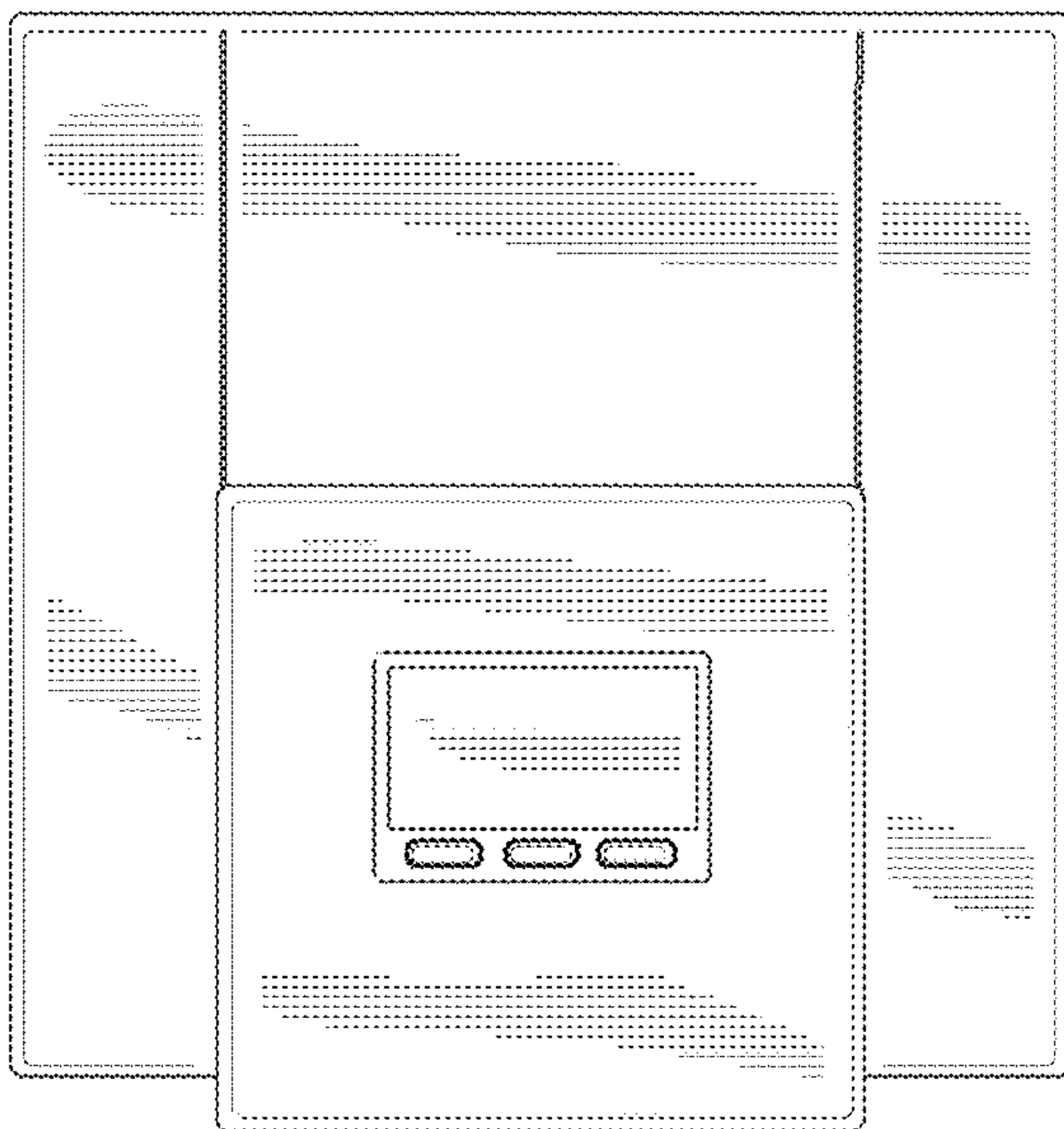
(57) **CLAIM**

The ornamental design for an apparatus to ozonize water, as shown and described.

DESCRIPTION

FIG. 1 is a top plan view of an apparatus to ozonize water showing my new design.
FIG. 2 is a bottom plan view thereof.
FIG. 3 is a front elevational view thereof.
FIG. 4 is a rear elevational view thereof.
FIG. 5 is a right side view thereof; and,
FIG. 6 is a left side view thereof.

1 Claim, 3 Drawing Sheets



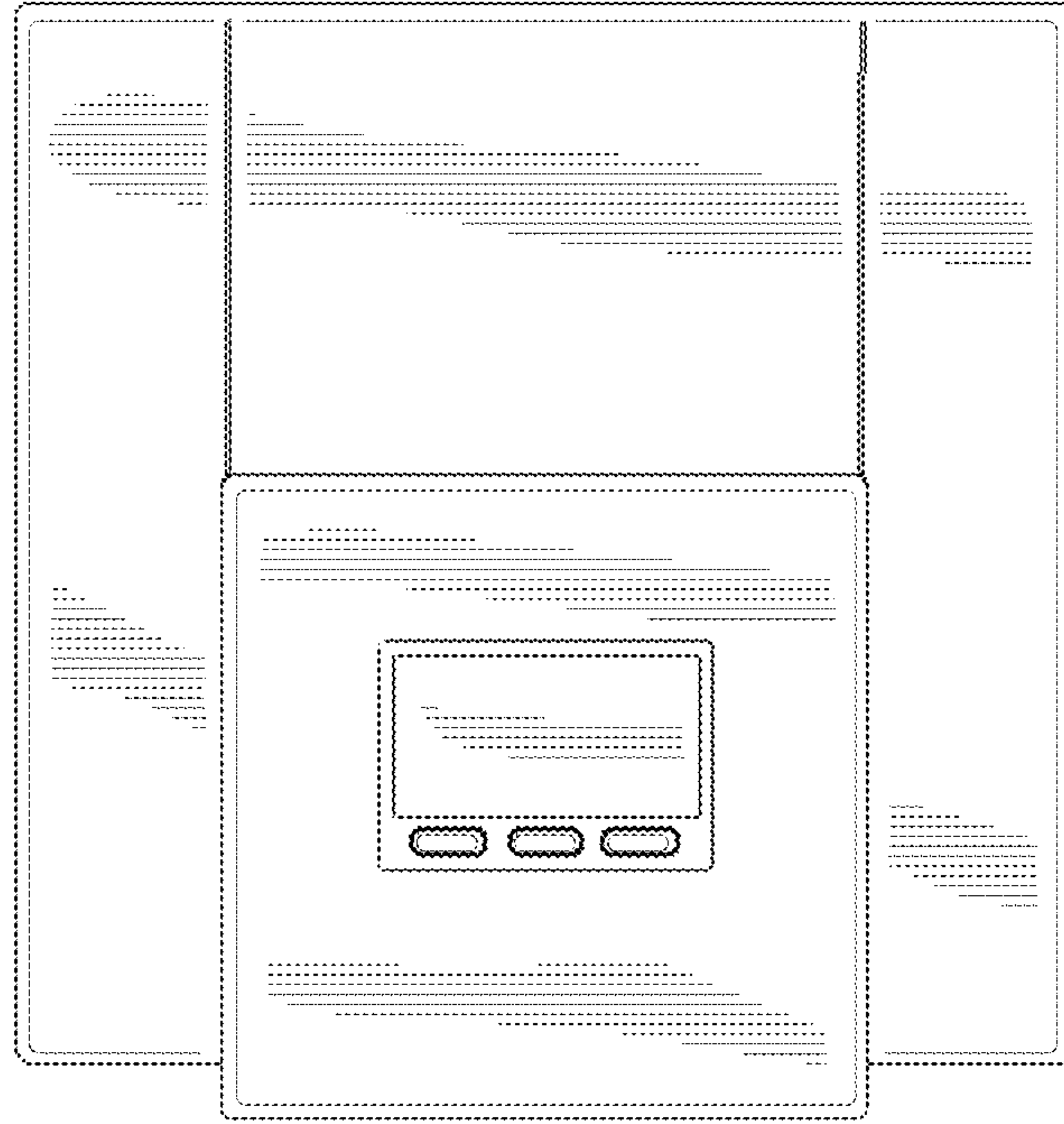


FIG. 1

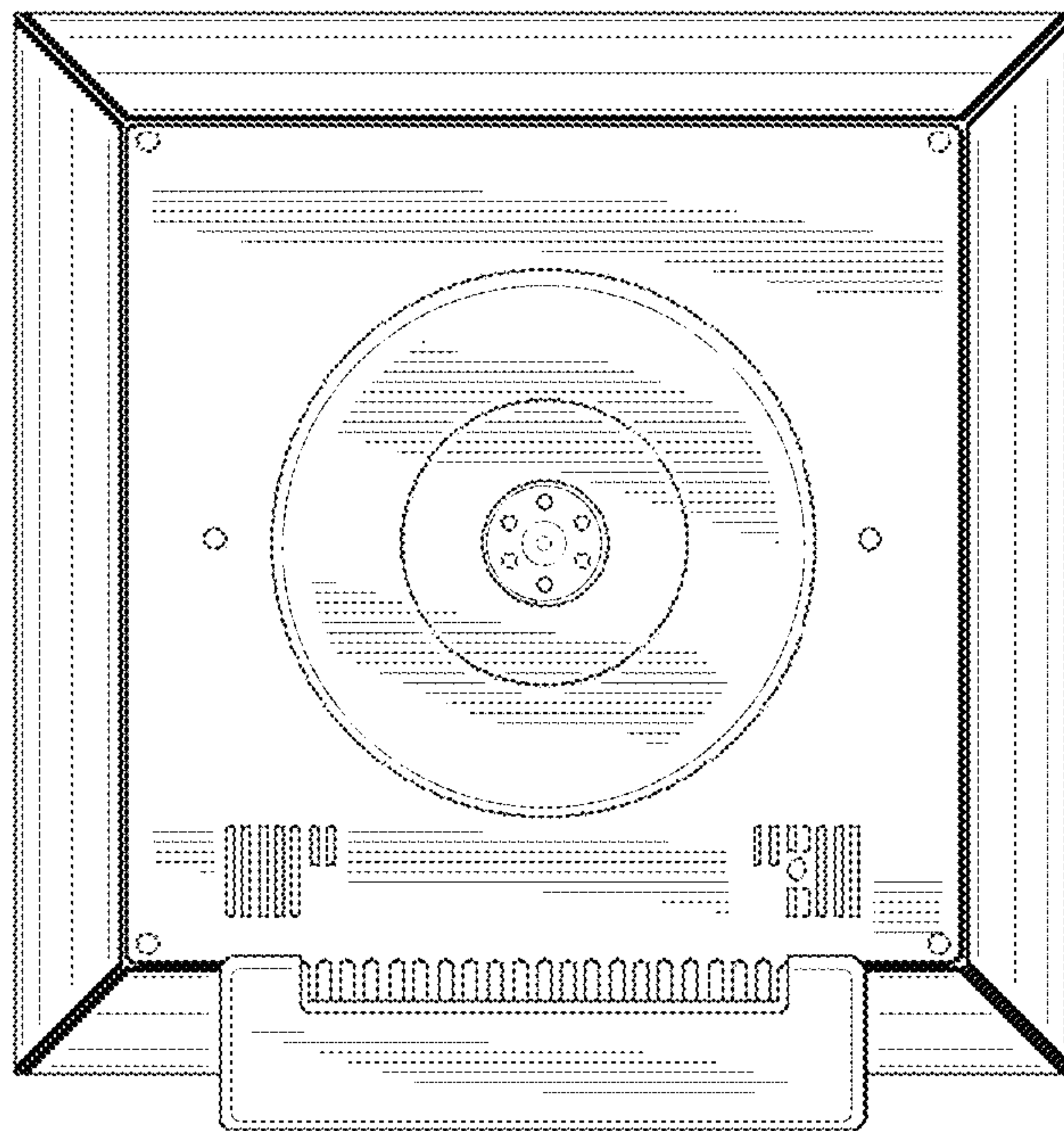


FIG. 2

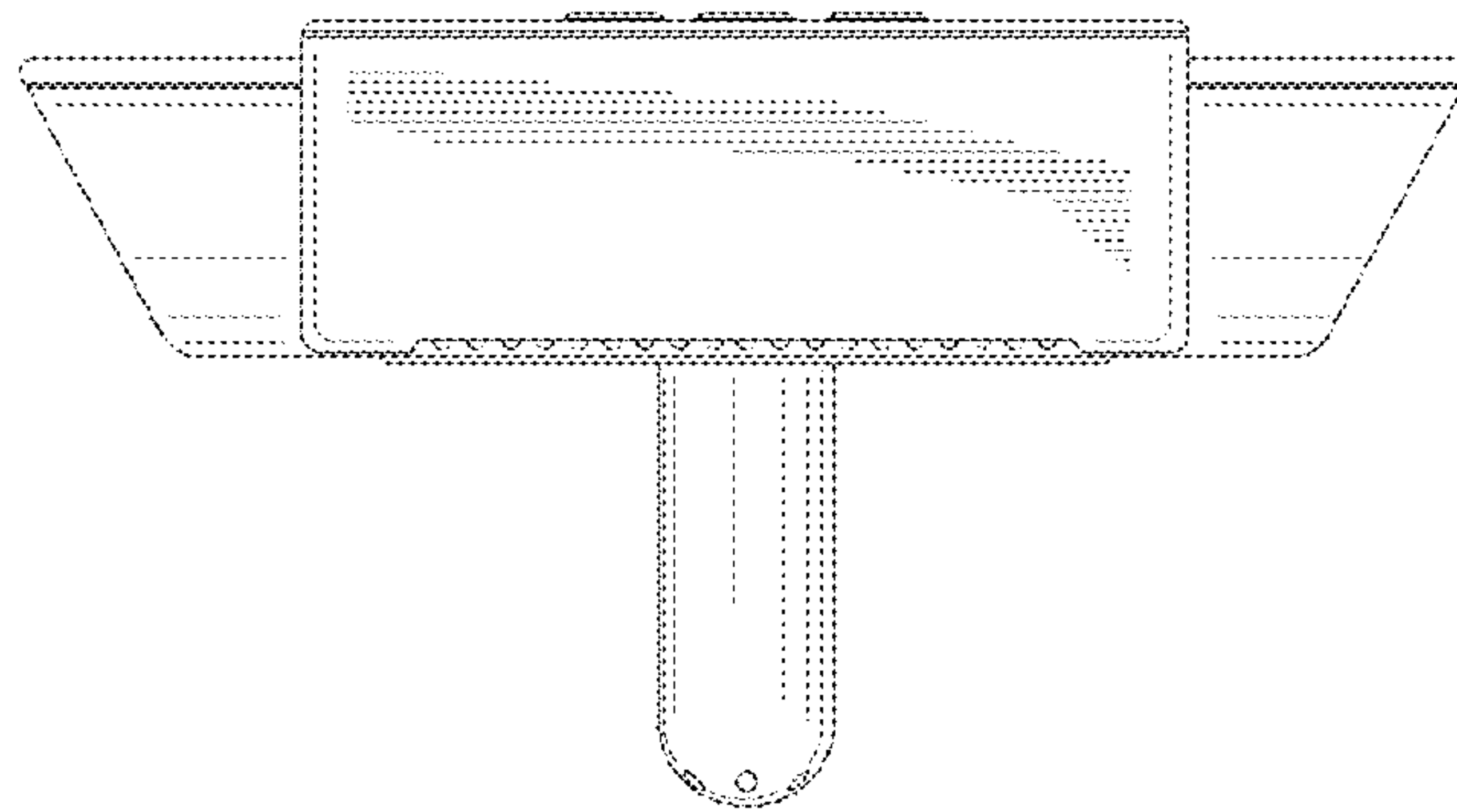


FIG. 3

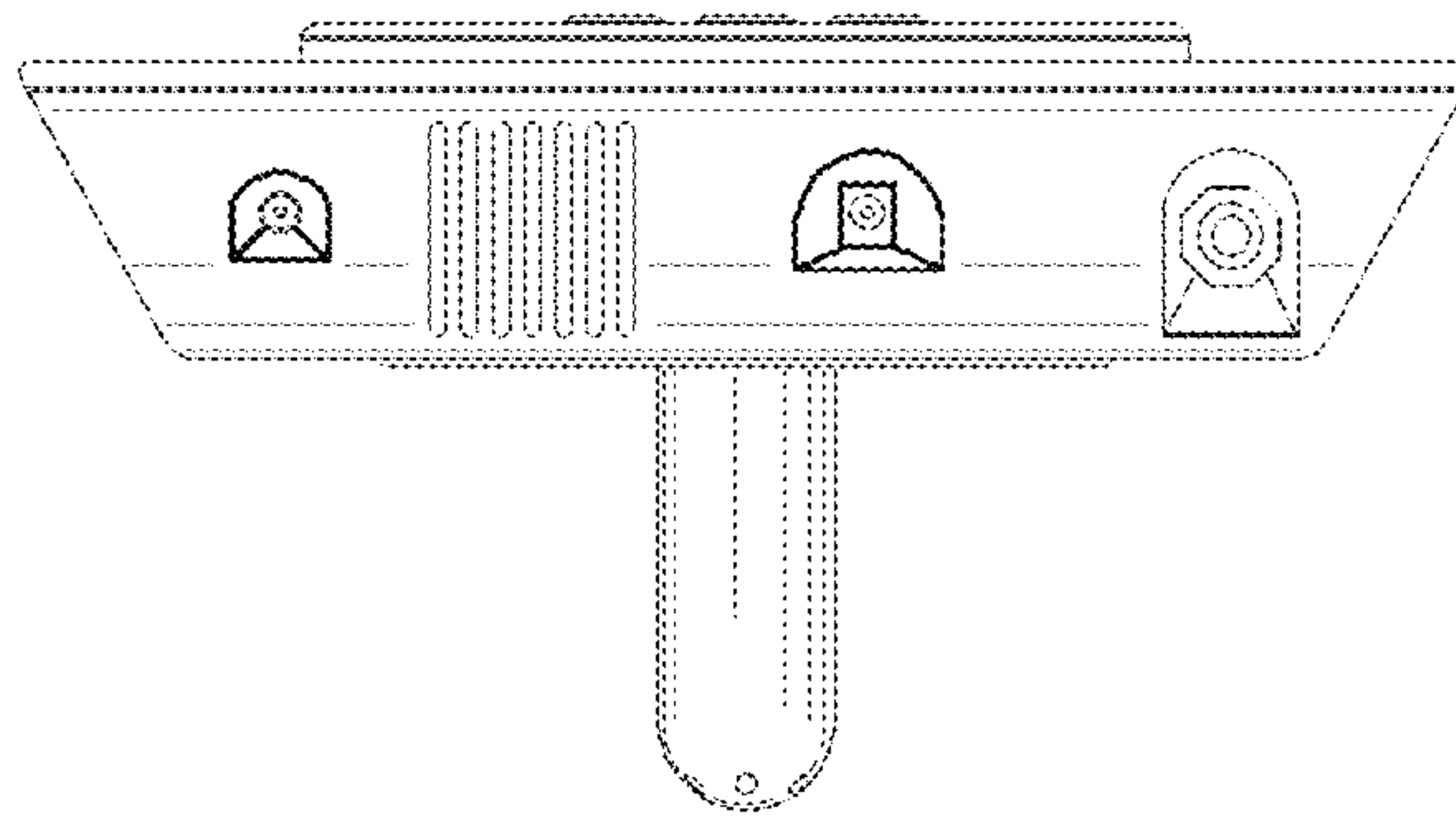


FIG. 4

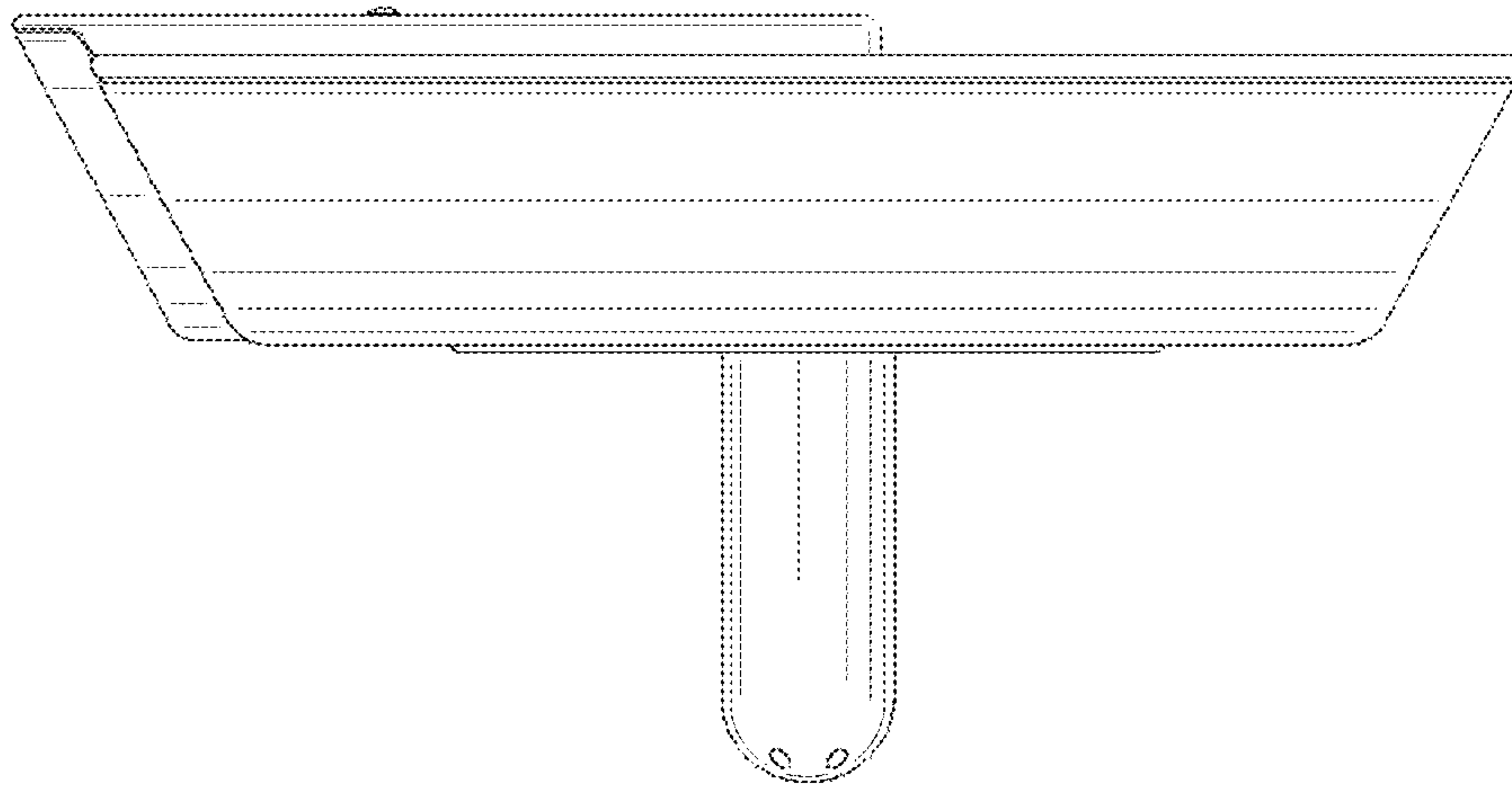


FIG. 5

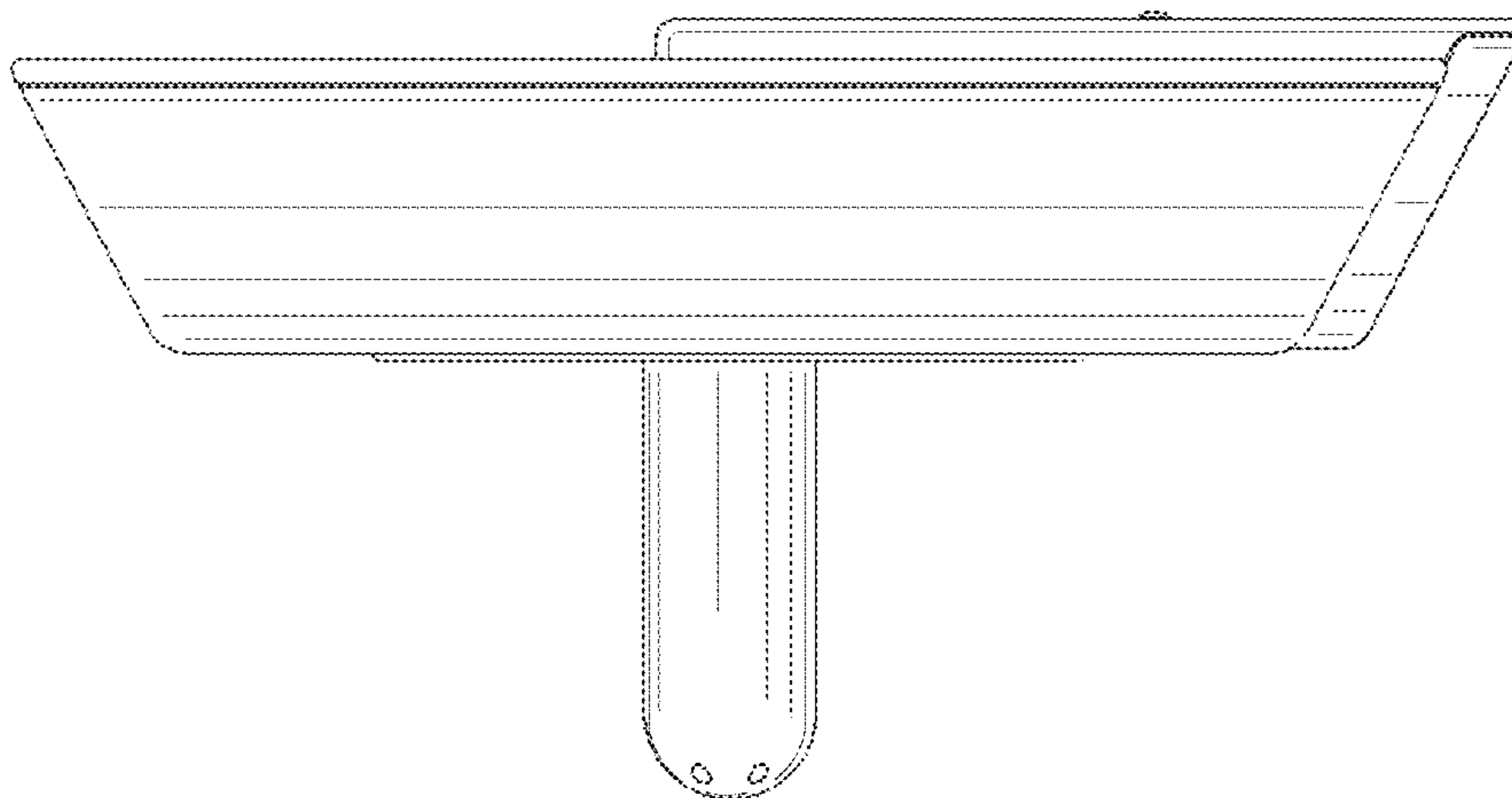


FIG. 6