



US00D807469S

(12) **United States Design Patent** (10) **Patent No.:** **US D807,469 S**
Amash (45) **Date of Patent:** **** Jan. 9, 2018**

(54) **JUMBO TELESCOPIC FLY SWATTER**
 (71) Applicant: **Charles Amash Imports, Inc.**,
 Wayland, MI (US)
 (72) Inventor: **Elias Amash**, Caledonia, MI (US)
 (73) Assignee: **CHARLES AMASH IMPORTS,**
INC., Wayland, MI (US)

2,891,347 A * 6/1959 Swint A01M 3/02
 43/137
 2,911,250 A * 11/1959 Lossius A01M 3/02
 43/137
 2,934,851 A * 5/1960 Grish A01M 3/02
 43/137
 D260,960 S 9/1981 Malia, Jr.
 5,401,071 A 3/1995 Tummino et al.
 D366,196 S 1/1996 Gulu et al.
 D392,457 S * 3/1998 Smith D3/4
 (Continued)

(**) Term: **14 Years**

(21) Appl. No.: **29/526,077**

(22) Filed: **May 6, 2015**

(51) **LOC (11) Cl.** **22-06**

(52) **U.S. Cl.**
 USPC **D22/124**

(58) **Field of Classification Search**
 USPC D22/124; 43/137; D3/3-4
 CPC A01M 3/02
 See application file for complete search history.

(56) **References Cited**

U.S. PATENT DOCUMENTS

D14,544 S	1/1884	Smith	
998,407 A	7/1911	Schwandt	
1,022,962 A	4/1912	Miller	
1,161,654 A *	11/1915	Gomber	A01M 3/02 43/137
1,170,408 A *	2/1916	Bruen	A01M 3/02 43/137
1,511,545 A	10/1924	Wallin	
1,541,671 A	6/1925	Tomlinson	
1,772,181 A	8/1930	Hightower	
1,861,526 A	6/1932	Gordon	
D91,616 S *	2/1934	Drake	D22/124
1,974,027 A	9/1934	Nick	
D114,893 S	5/1939	Goddeyne	
D130,020 S *	10/1941	Foley	D22/124
2,377,439 A *	6/1945	Mueller	A01M 3/02 43/137

OTHER PUBLICATIONS

A photograph of a telescoping pitchfork sold at least as early as May 5, 2014.

(Continued)

Primary Examiner — Catherine Oliver-Garcia
 (74) *Attorney, Agent, or Firm* — Honigman Miller
 Schwartz and Cohn LLP; Douglas H. Siegel; Jonathan P.
 O'Brien

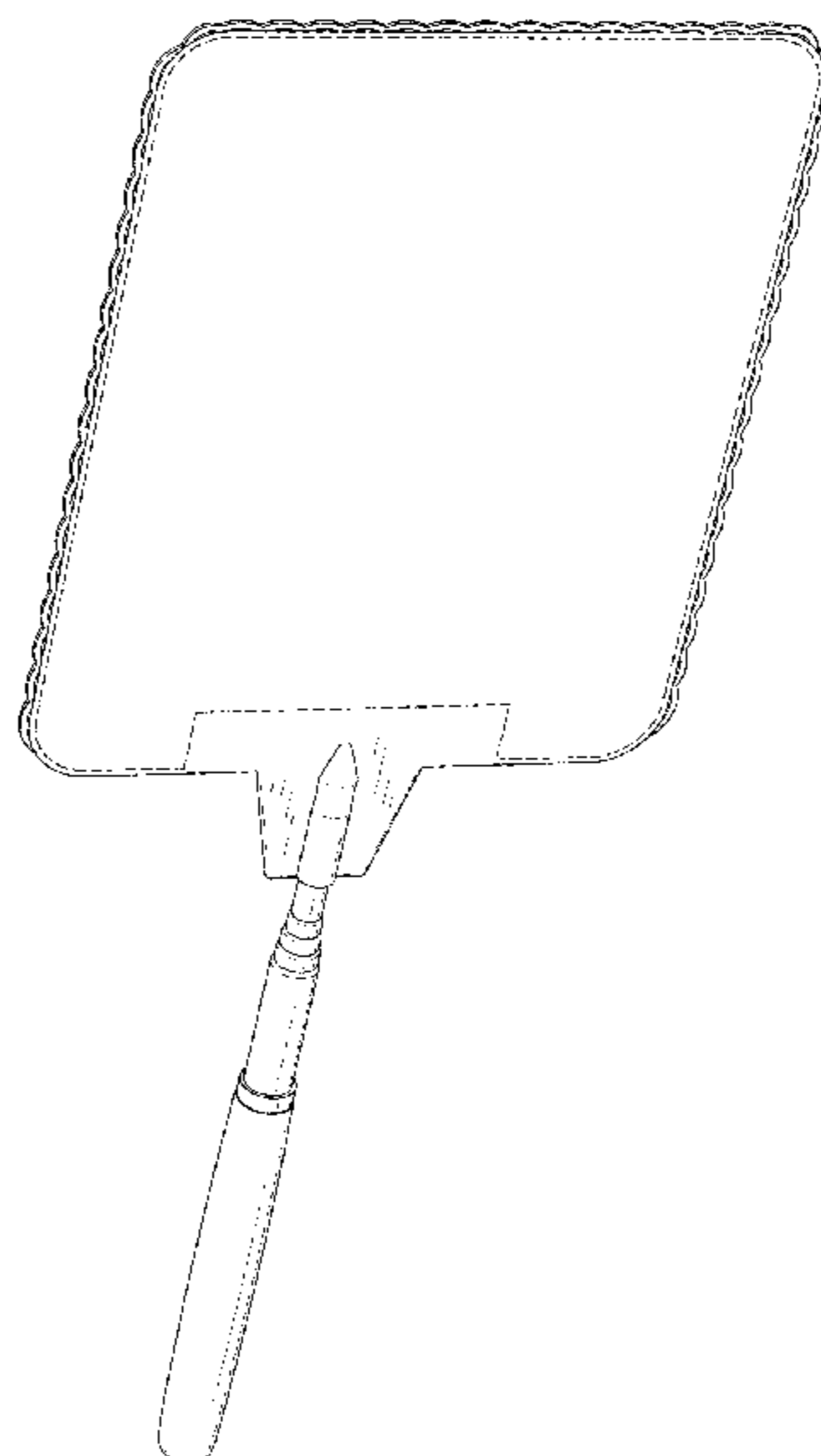
(57) **CLAIM**

The ornamental design for a jumbo telescopic fly swatter, as shown and described.

DESCRIPTION

FIG. 1 is a perspective view of a jumbo telescopic fly swatter showing a first embodiment of my new design;
 FIG. 2 is a front elevational view thereof;
 FIG. 3 is a right-side elevational view thereof;
 FIG. 4 is a top plan view thereof;
 FIG. 5 is a bottom plan view thereof;
 FIG. 6 is a perspective view of a second embodiment of the jumbo telescopic fly swatter;
 FIG. 7 is a front elevational view thereof;
 FIG. 8 is a right-side elevational view thereof; and
 FIG. 9 is a top plan view thereof; and,
 FIG. 10 is a bottom plan view thereof.

1 Claim, 6 Drawing Sheets



(56)

References Cited

U.S. PATENT DOCUMENTS

D398,203 S 9/1998 Naccarato et al.
D429,977 S 8/2000 Claxton
D466,280 S * 12/2002 Ko D3/3
D487,680 S 3/2004 Sickler et al.
D565,367 S 4/2008 Buscher
D568,698 S 5/2008 Buscher
D670,150 S 11/2012 Angel et al.
D712,004 S * 8/2014 Palmer D22/124
D721,552 S 1/2015 Vanderwoude

OTHER PUBLICATIONS

Photos of swatter product, believed to have been commercially available before May 6, 2014.
Pending U.S. Appl. No. 29/587,789.
Two Prong Telescoping Pitchfork, offered for sale prior to Nov. 30, 2012.

* cited by examiner

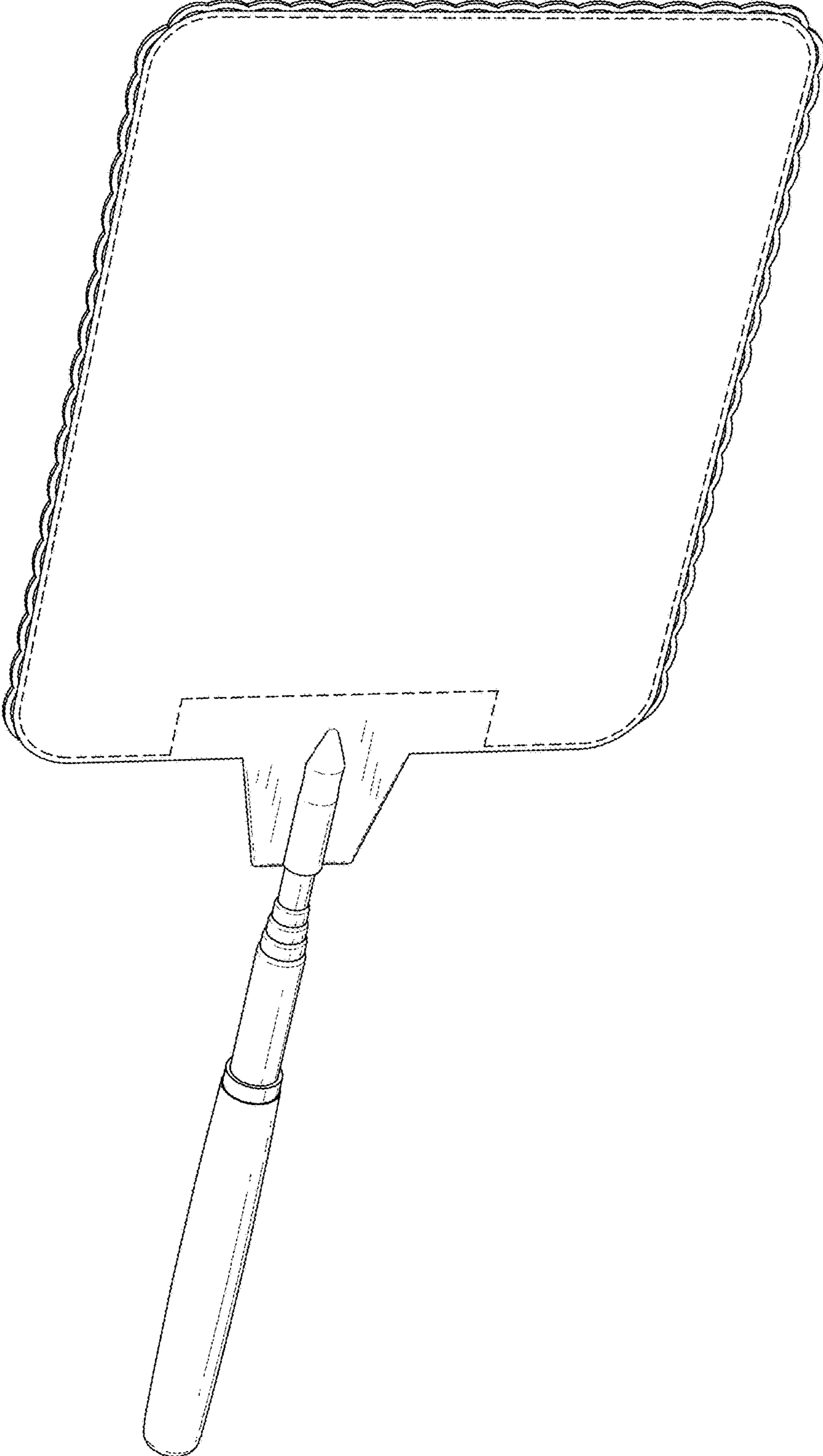


FIG. 1

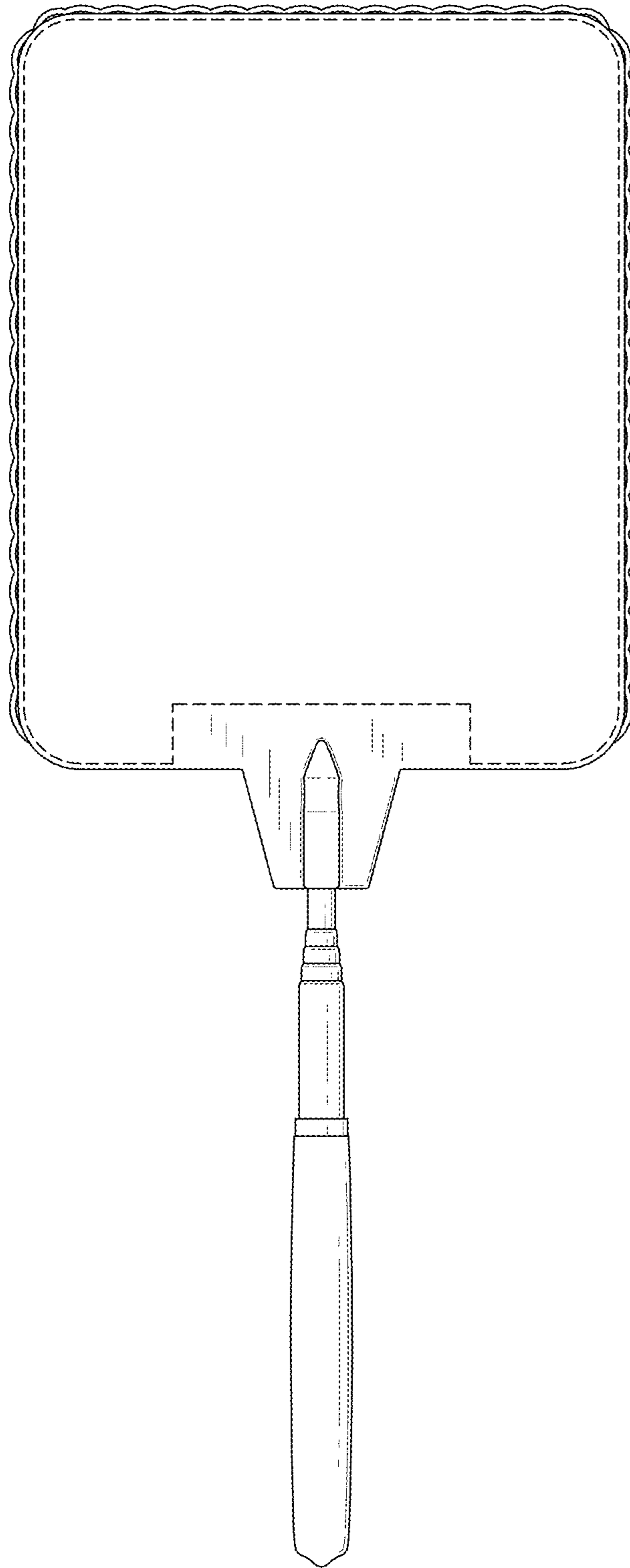


FIG. 2

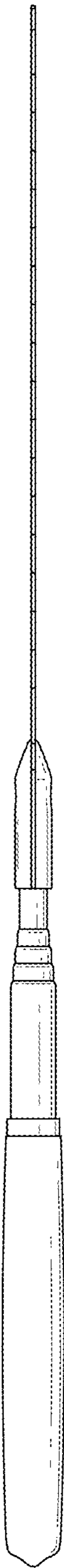


FIG. 3

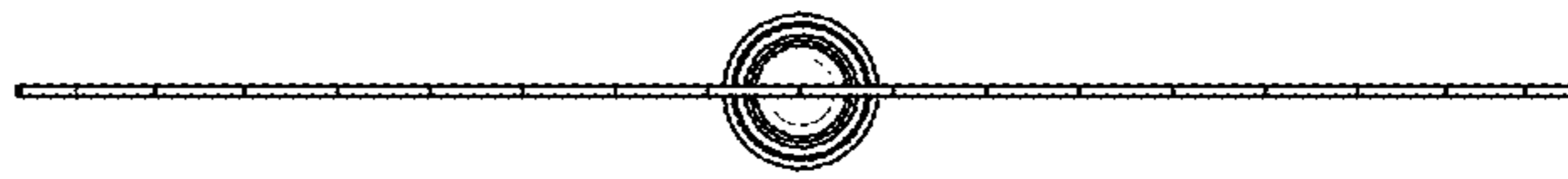


FIG. 4

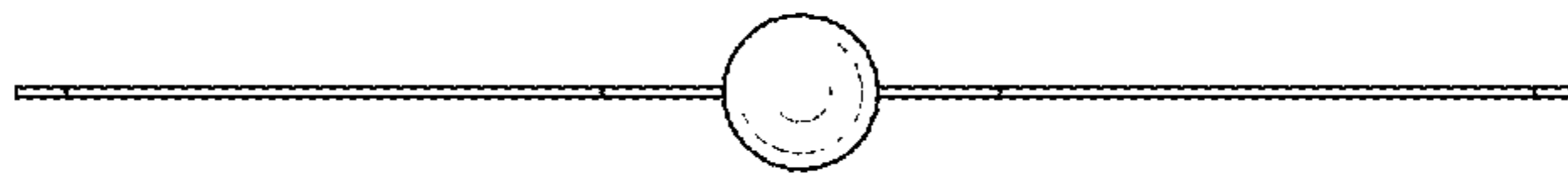


FIG. 5

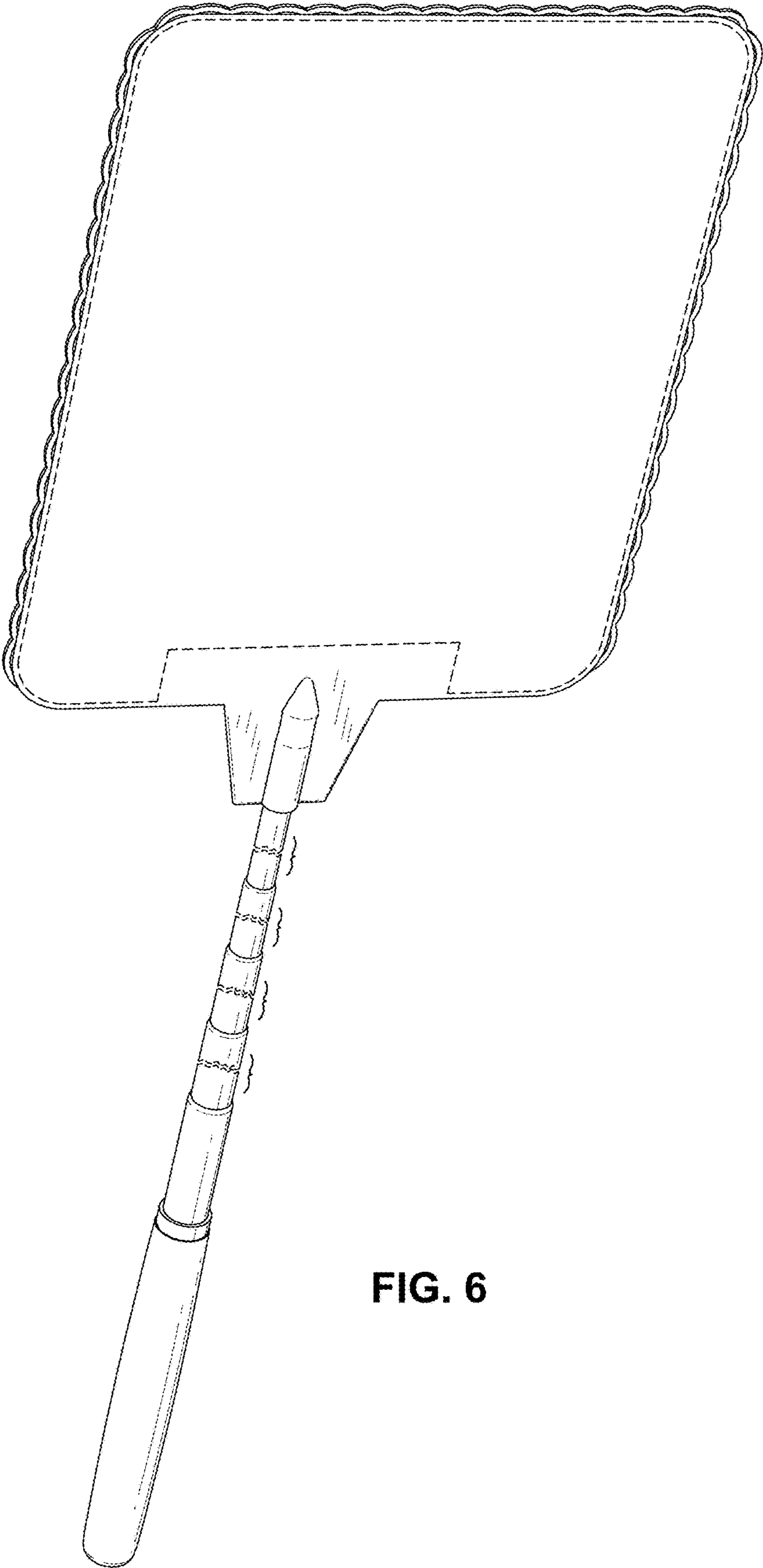


FIG. 6

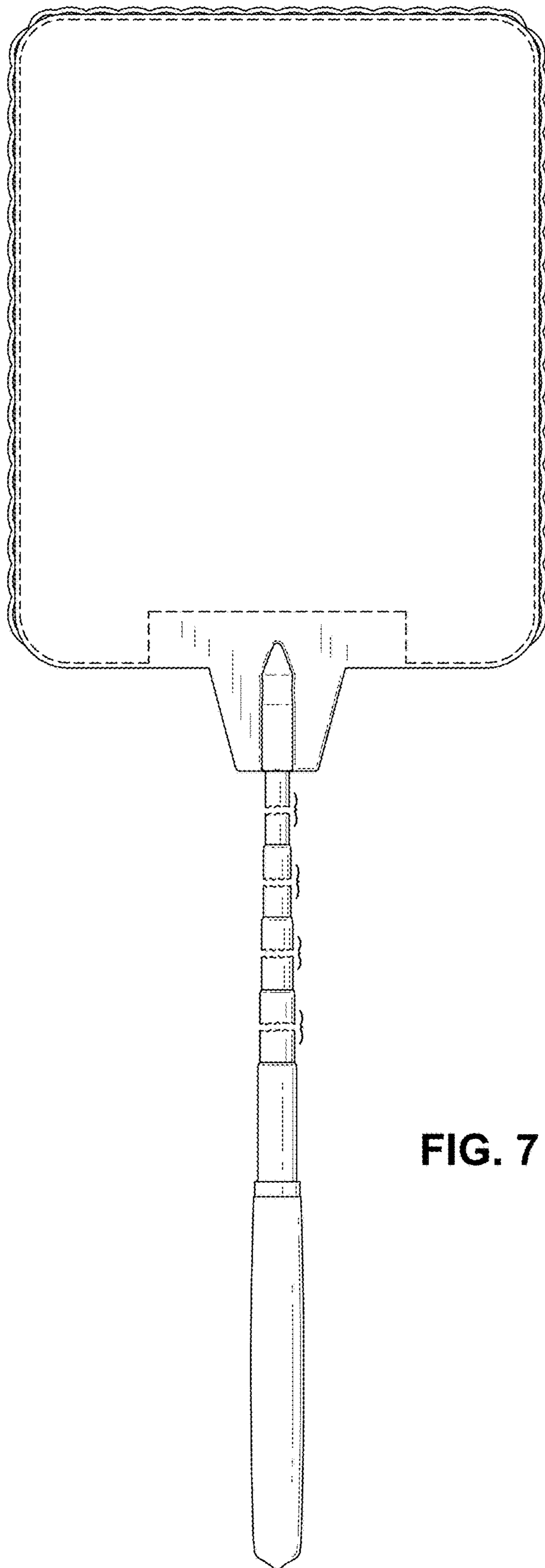


FIG. 7

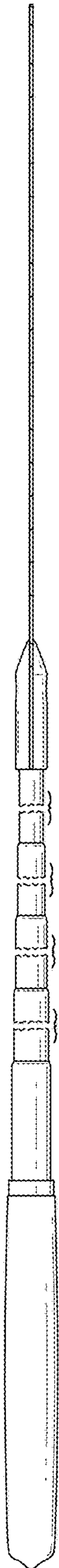


FIG. 8

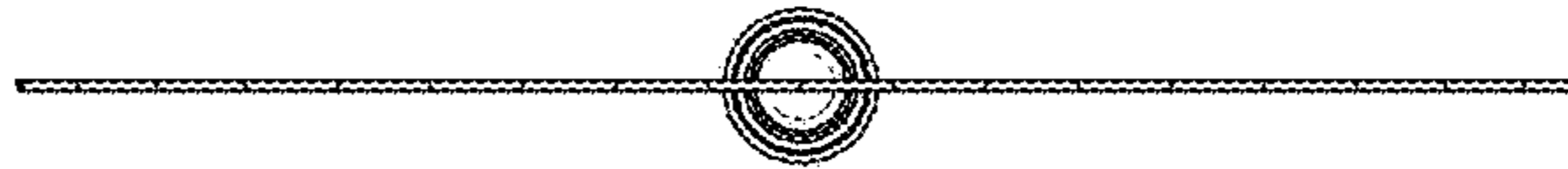


FIG. 9



FIG. 10