



US00D807468S

(12) **United States Design Patent** (10) **Patent No.:** **US D807,468 S**
Kotze (45) **Date of Patent:** **** Jan. 9, 2018**

(54) **BIRD REPELLENT DEVICE**

- (71) Applicant: **Eagle Eye Bird Control Trust,**
Kullsrivier (ZA)
- (72) Inventor: **John Abraham Kotze,** Stellenbosch
(ZA)
- (73) Assignee: **Eagle Eye Bird Control Trust,**
Kullsrivier (ZA)
- (**) Term: **15 Years**

(21) Appl. No.: **29/576,040**

(22) Filed: **Aug. 31, 2016**

(51) **LOC (11) Cl.** **22-06**

(52) **U.S. Cl.**
USPC **D22/120**

(58) **Field of Classification Search**
USPC D22/119-124; D10/59; D13/115
CPC A01M 29/30; A01M 29/32
See application file for complete search history.

(56) **References Cited**

U.S. PATENT DOCUMENTS

4,247,042 A *	1/1981	Schimanski	A01M 1/2044	239/43
D306,476 S *	3/1990	Millard	D22/123	
D370,247 S *	5/1996	Shammas	D22/120	
D551,315 S *	9/2007	Zimmerman	D22/119	
D630,137 S *	1/2011	Noble	D12/160	
D632,619 S *	2/2011	Noble	D12/160	
D700,112 S *	2/2014	Noble	D12/160	
D701,936 S *	4/2014	Kotze	D22/120	

OTHER PUBLICATIONS

Eagle Eye, Environmentally Friendly Bird Control, Publication date unknown, [site visited Jun. 14, 2017], Available on the Internet URL:<<http://www.usaeagleeye.com/>>.*
YouTube-eagleeyebirdcontrol, Eagle Eye Introduction Video, Jul. 21, 2011, [site visited Jun. 14, 2017], Available on the Internet URL:<<https://www.youtube.com/watch?v=L-liawRXnPI>>.*

* cited by examiner

Primary Examiner — Karen S Acker

Assistant Examiner — Steven B Reinholdt, Jr.

(74) *Attorney, Agent, or Firm* — Haugen Law Firm PLLP

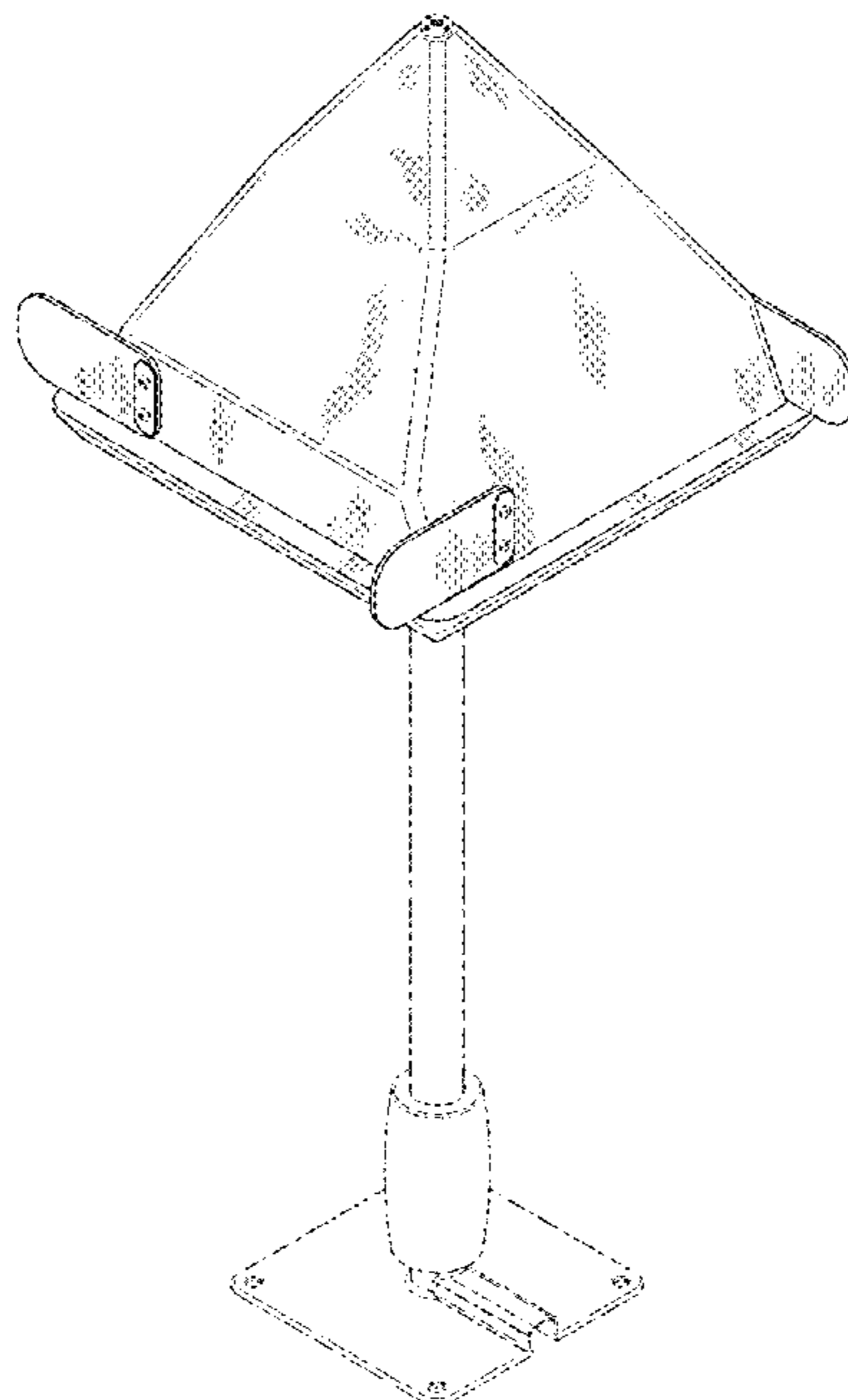
(57) **CLAIM**

The ornamental design for a bird repellent device, as shown and described.

DESCRIPTION

FIG. 1 is a top front perspective view of the bird repellent device;
FIG. 2 is a bottom rear perspective view of the bird repellent device;
FIG. 3 is a front elevational view of the bird repellent device;
FIG. 4 is a rear elevational view of the bird repellent device;
FIG. 5 is a left side elevational view of the bird repellent device;
FIG. 6 is a right side elevational view of the bird repellent device;
FIG. 7 is a top plan view of the bird repellent device; and,
FIG. 8 is a bottom plan view of the bird repellent device.
The dashed broken lines represent portions of the bird repellent device that form no part of the claimed design. The environmental structure drawn in the dot-dash-dot broken lines below the solid lines of the bird repellent device is included to show the article in a position of use and forms no part of the claimed design.

1 Claim, 7 Drawing Sheets



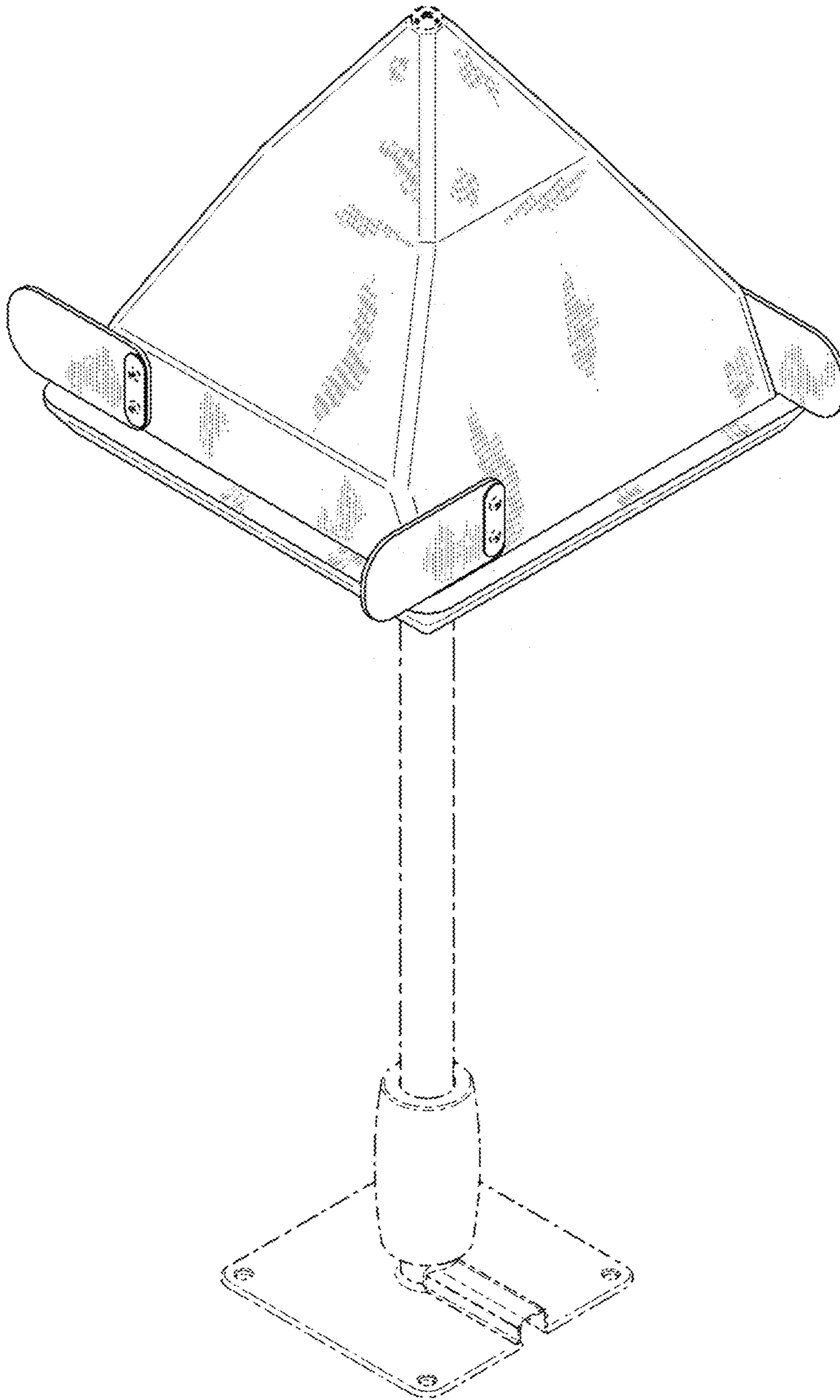


FIG. 1

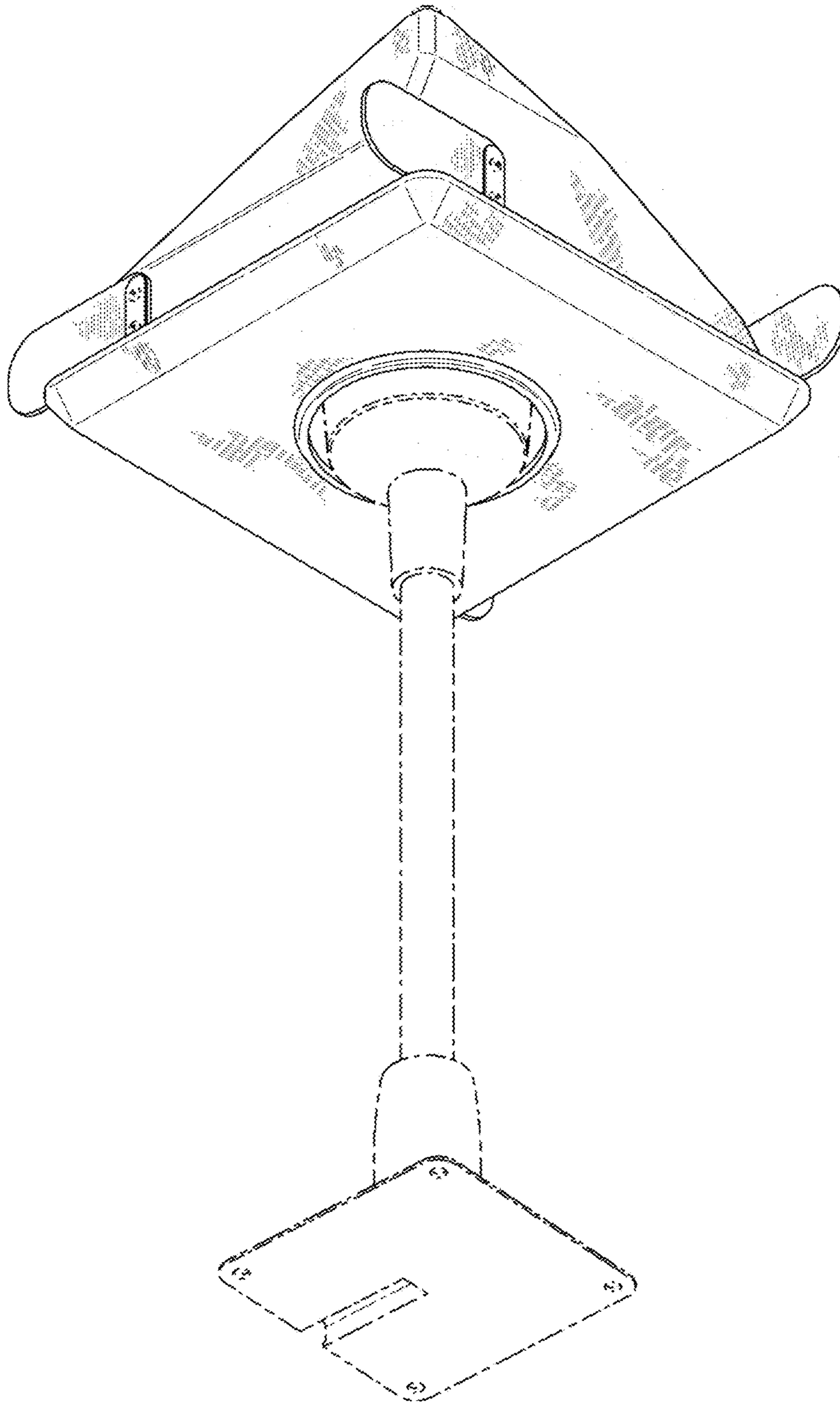


FIG. 2

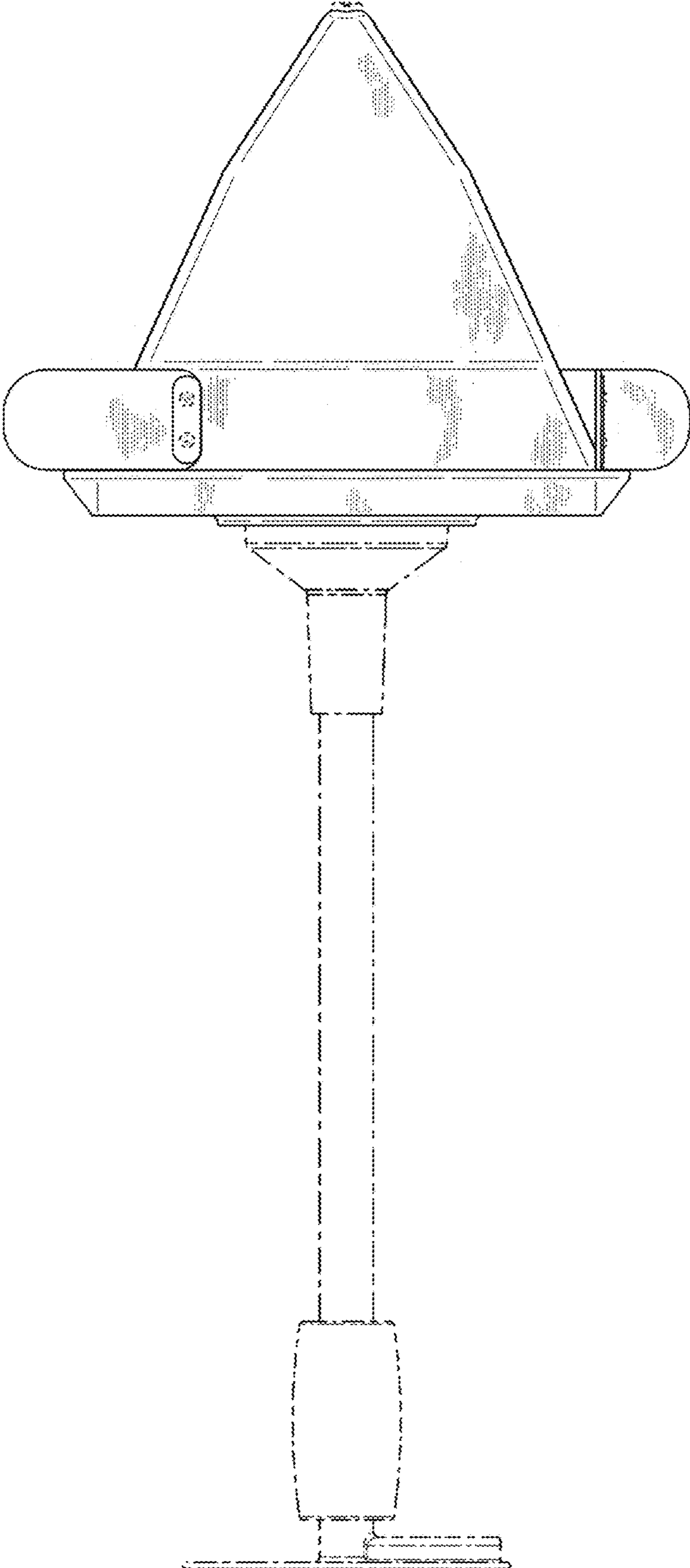


FIG. 3

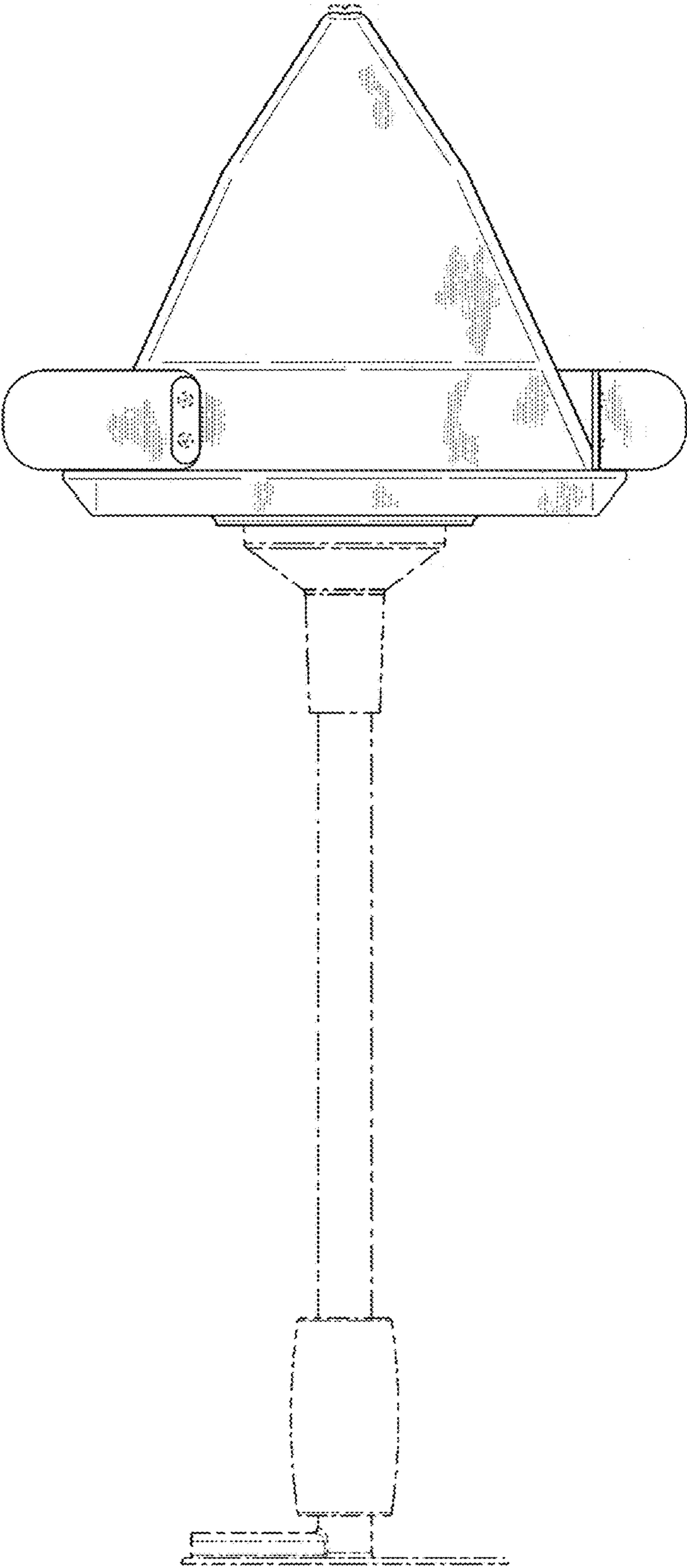


FIG. 4

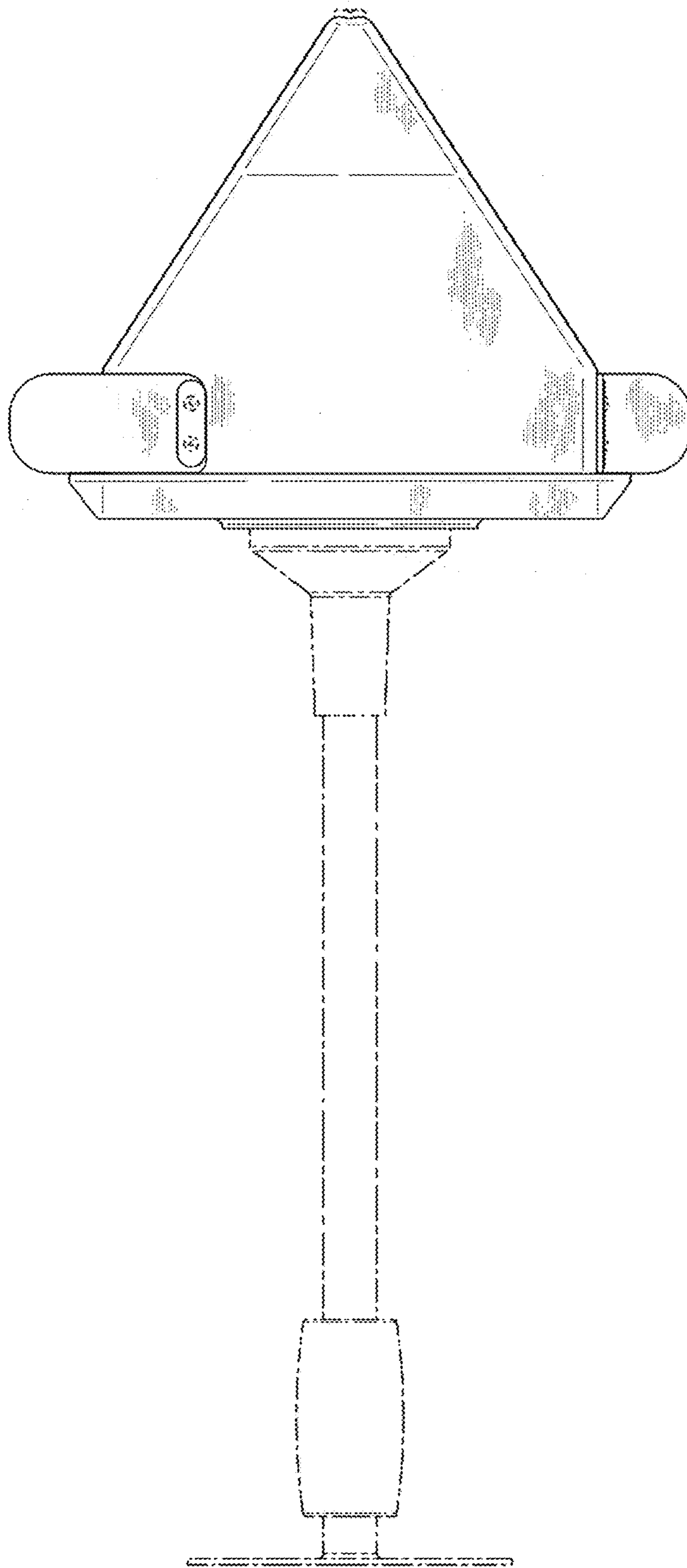


FIG. 5

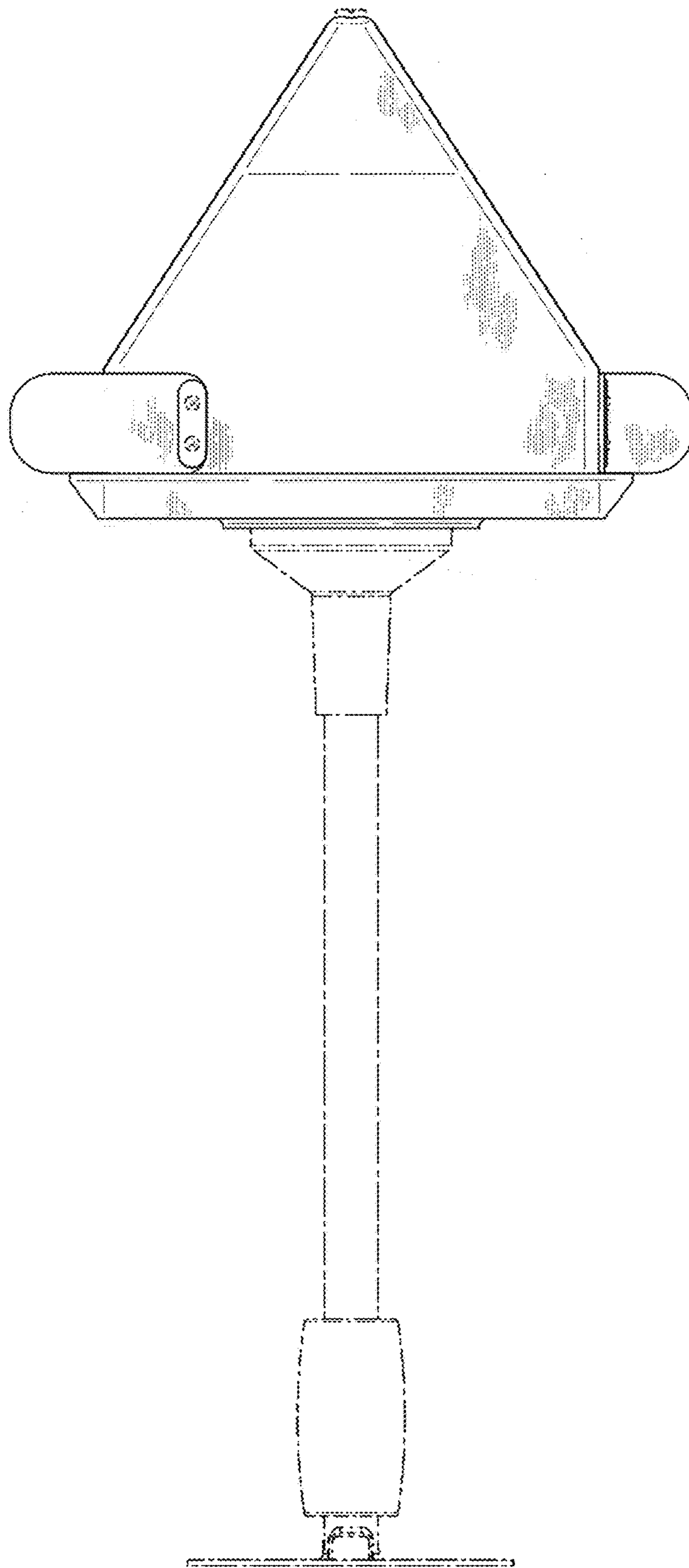


FIG. 6

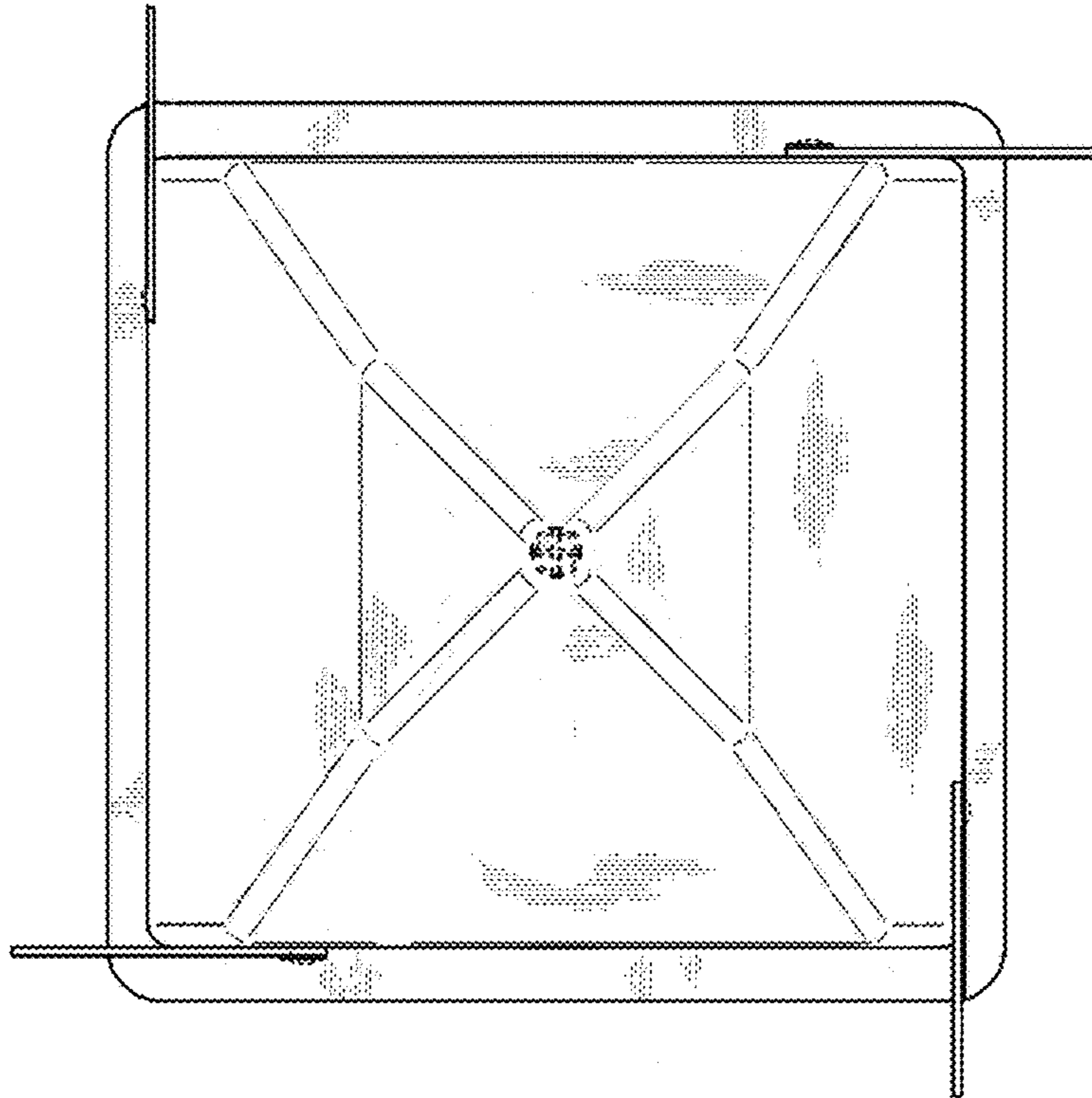


FIG. 7

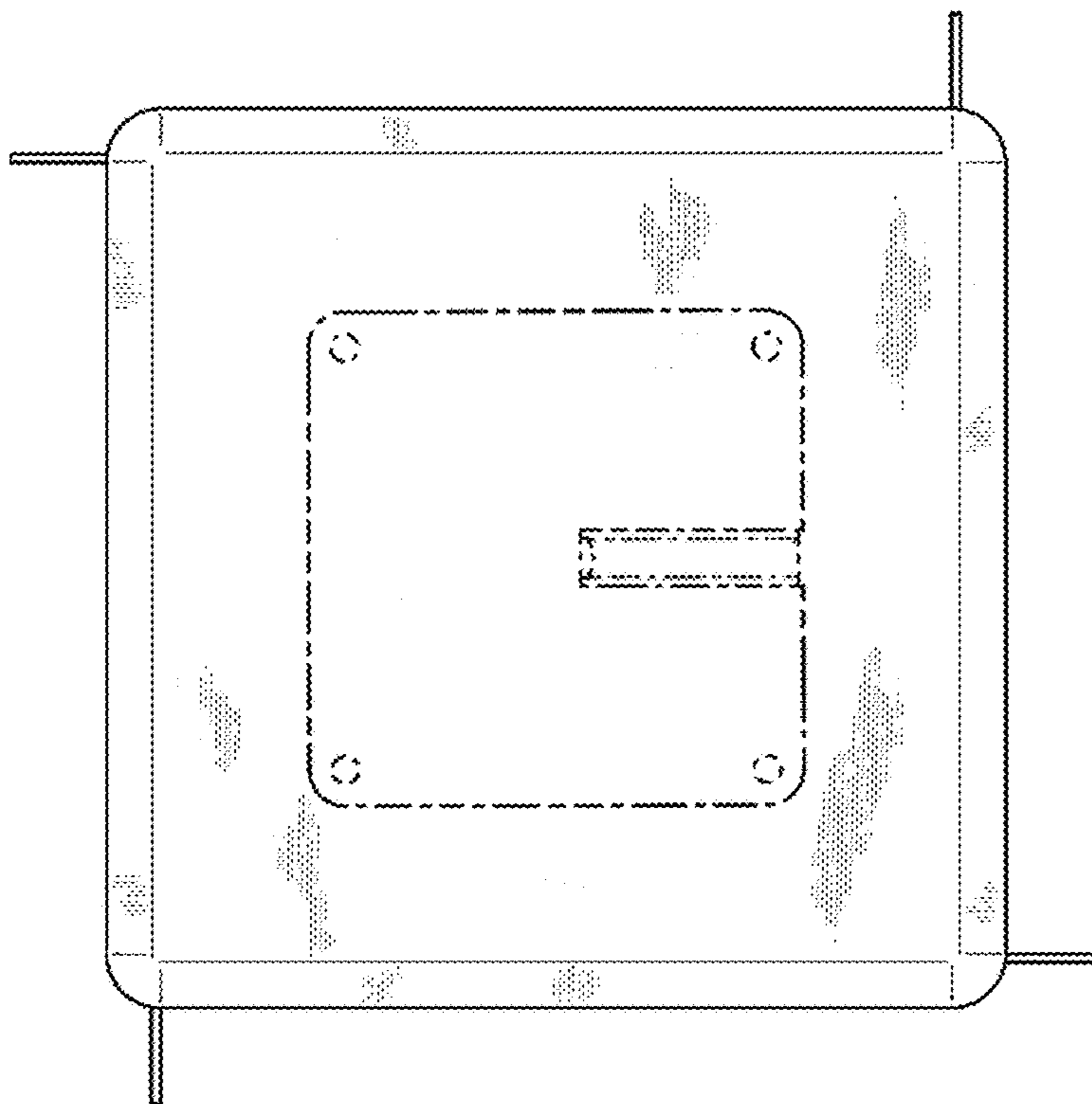


FIG. 8