



US00D807467S

(12) **United States Design Patent** (10) **Patent No.:** **US D807,467 S**  
**Kotze** (45) **Date of Patent:** **\*\* Jan. 9, 2018**

(54) **BIRD REPELLENT DEVICE** D712,757 S \* 9/2014 Barani ..... D10/59  
D713,272 S \* 9/2014 Barani ..... D10/59  
9,368,050 B2 \* 6/2016 Bigham ..... G09F 17/00

(71) Applicant: **Eagle Eye Bird Control Trust,**  
Kuilsriver (ZA)

(72) Inventor: **John Abraham Kotze,** Stellenbosch  
(ZA)

(73) Assignee: **Eagle Eye Bird Control Trust,**  
Kullsrivier (ZA)

(\*\*) Term: **15 Years**

(21) Appl. No.: **29/576,038**

(22) Filed: **Aug. 31, 2016**

(30) **Foreign Application Priority Data**

Mar. 18, 2016 (ZA) ..... F2016/00409

(51) **LOC (11) Cl.** ..... **22-06**

(52) **U.S. Cl.**  
USPC ..... **D22/120**

(58) **Field of Classification Search**  
USPC ..... D22/119-124; D10/59; D13/115  
CPC ..... A01M 29/30; A01M 29/32  
See application file for complete search history.

(56) **References Cited**

**U.S. PATENT DOCUMENTS**

4,121,088 A \* 10/1978 Doremus ..... B64D 15/16  
219/201  
D554,546 S \* 11/2007 Hart ..... D10/59  
D654,979 S \* 2/2012 Smith ..... D22/120  
D701,936 S \* 4/2014 Kotze ..... D22/120

**OTHER PUBLICATIONS**

Eagle Eye, Environmentally Friendly Bird Control, Publication date unknown, [site visited Jun. 14, 2017], Available on the Internet URL:<<http://www.usaeagleeye.com/>>.\*

\* cited by examiner

*Primary Examiner* — Karen S Acker

*Assistant Examiner* — Steven B Reinholdt, Jr.

(74) *Attorney, Agent, or Firm* — Haugen Law Firm PLLP

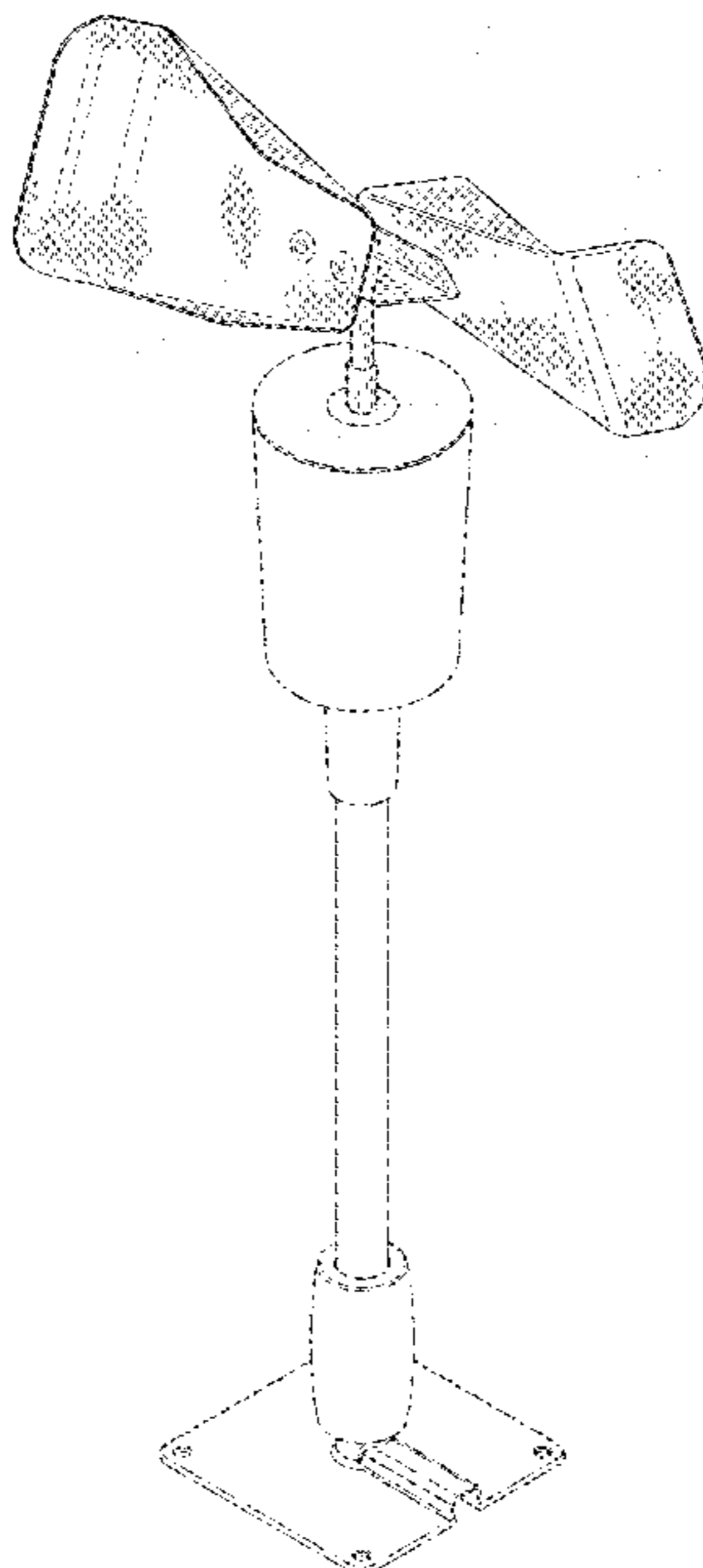
(57) **CLAIM**

The ornamental design for a bird repellent device, as shown and described.

**DESCRIPTION**

FIG. 1 is a top front perspective view of the bird repellent device;  
FIG. 2 is a bottom rear perspective view of the bird repellent device;  
FIG. 3 is a front elevational view of the bird repellent device;  
FIG. 4 is a rear elevational view of the bird repellent device;  
FIG. 5 is a left side elevational view of the bird repellent device;  
FIG. 6 is a right side elevational view of the bird repellent device;  
FIG. 7 is a top plan view of the bird repellent device; and,  
FIG. 8 is a bottom plan view of the bird repellent device.  
The dashed broken lines represent portions of the bird repellent device that form no part of the claimed design. The environmental structure drawn in the dot-dash-dot broken lines below the solid lines of the bird repellent device is included to show the article in a position of use and forms no part of the claimed design.

**1 Claim, 6 Drawing Sheets**



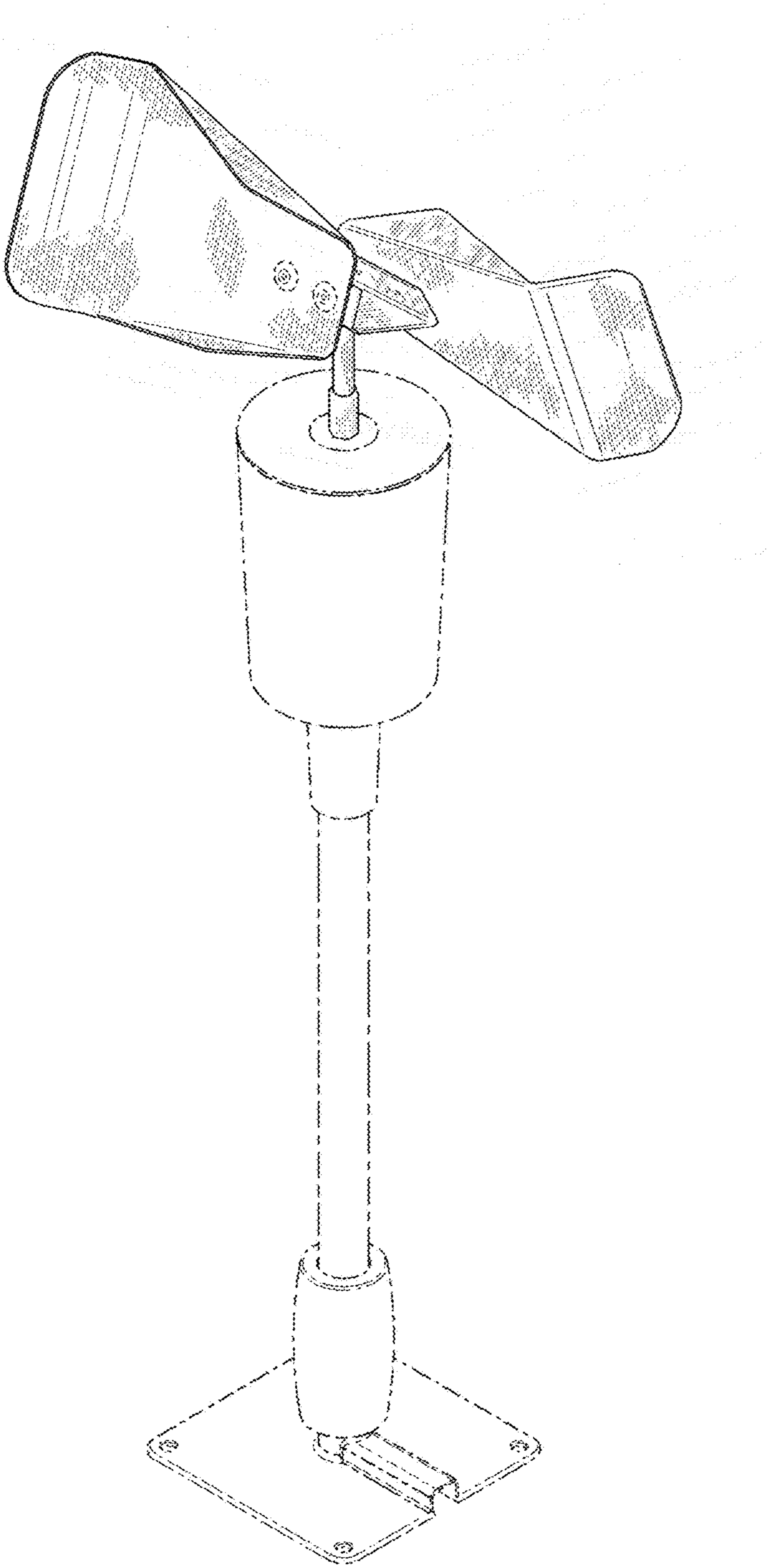


FIG. 1

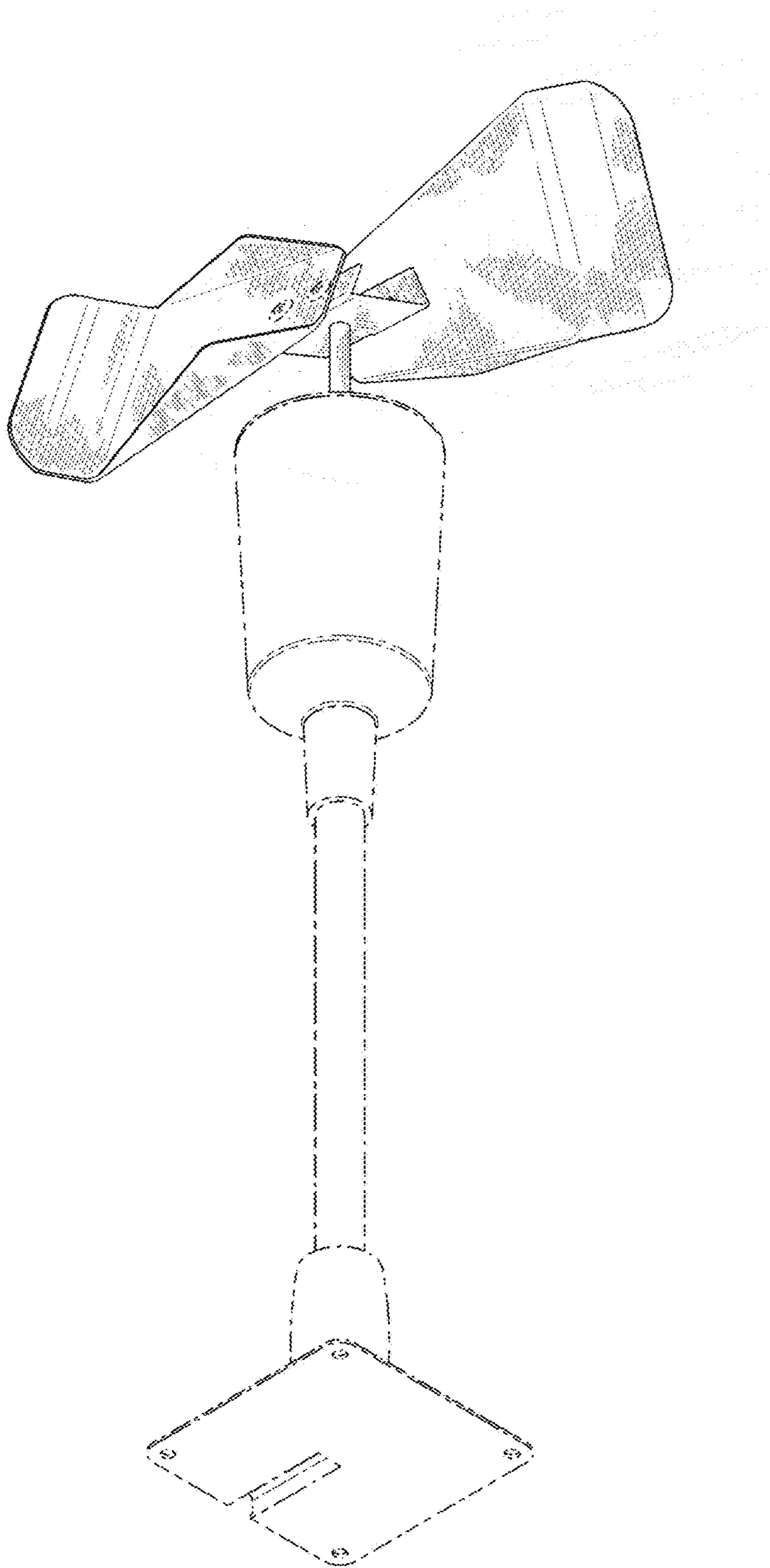


FIG. 2

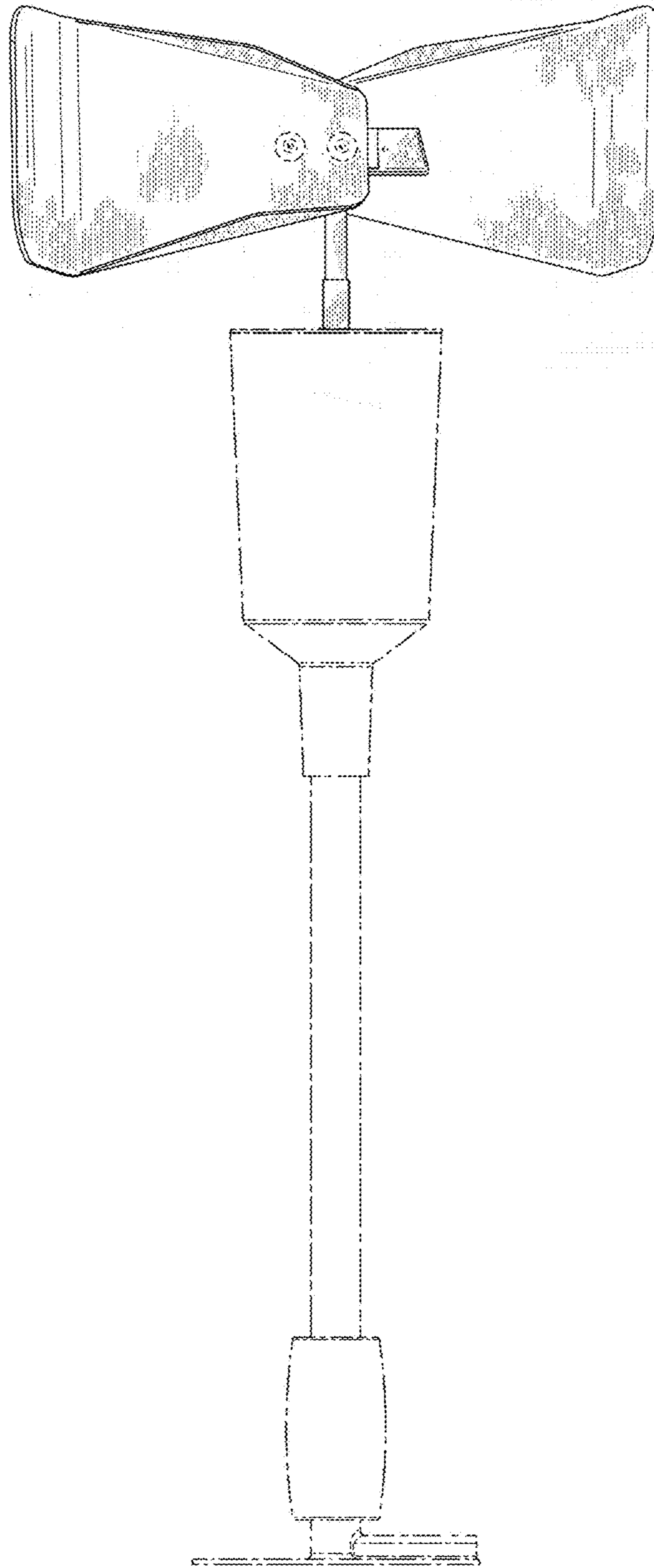


FIG. 3

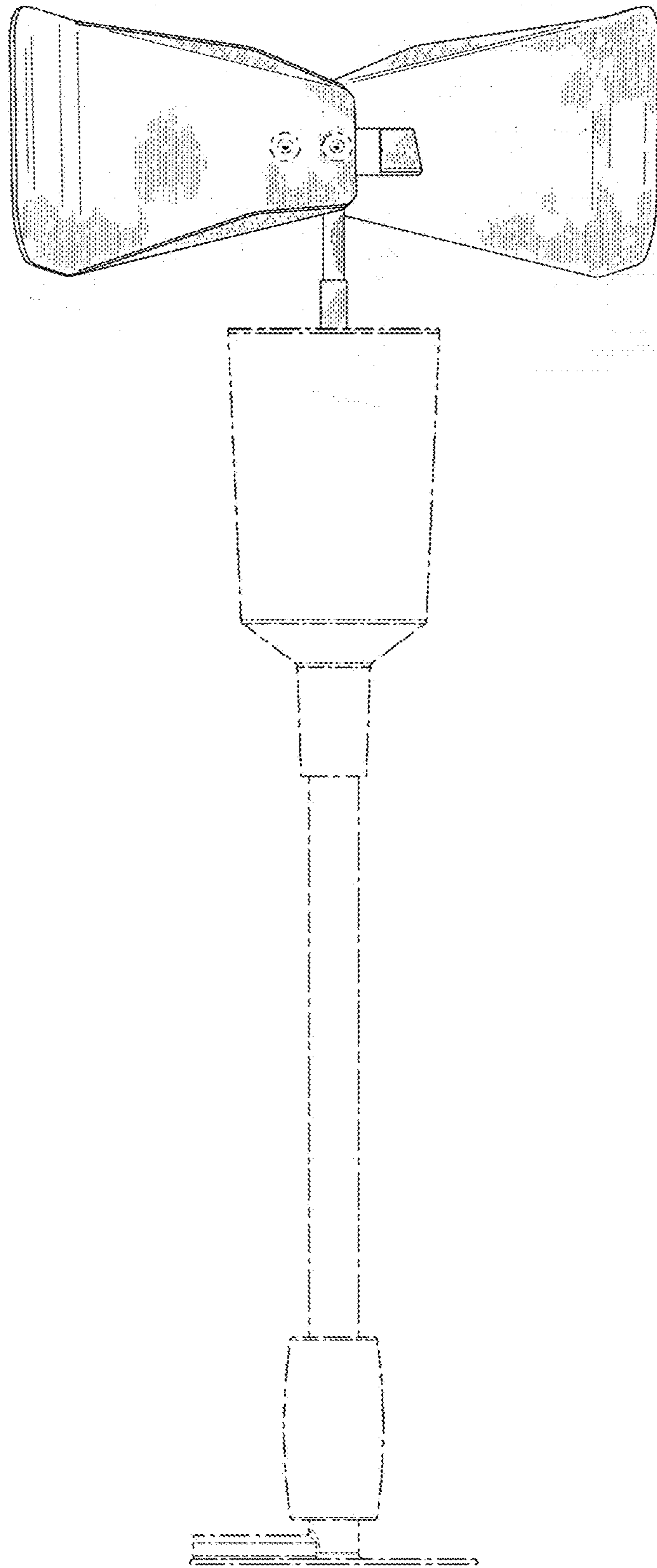


FIG. 4



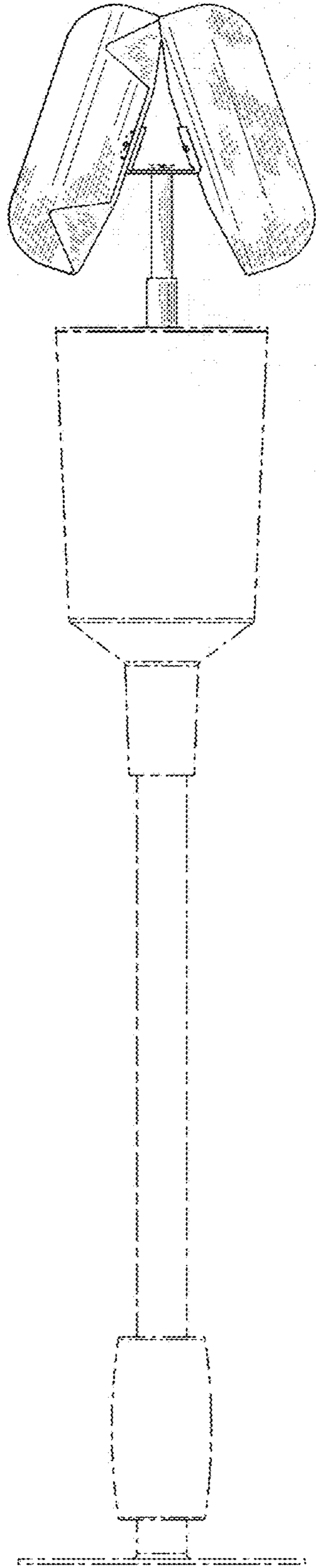


FIG. 5

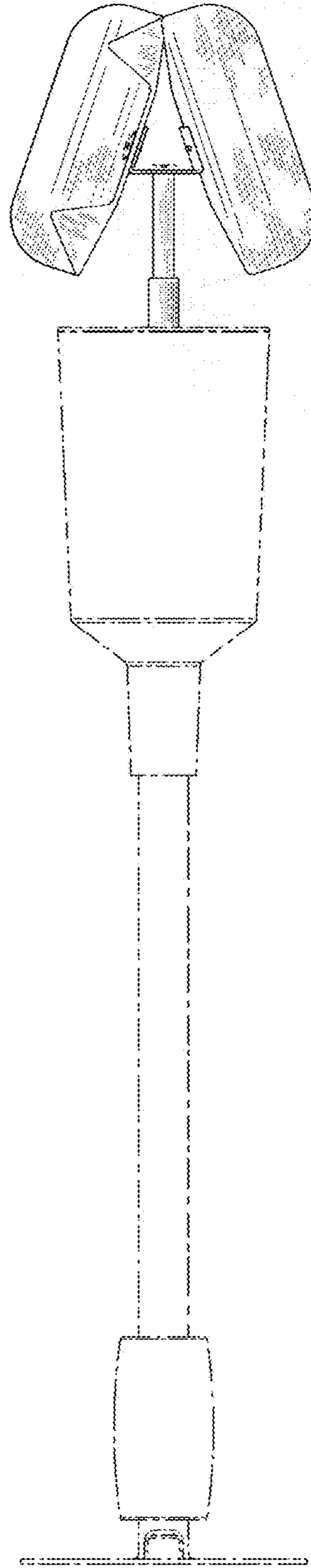


FIG. 6

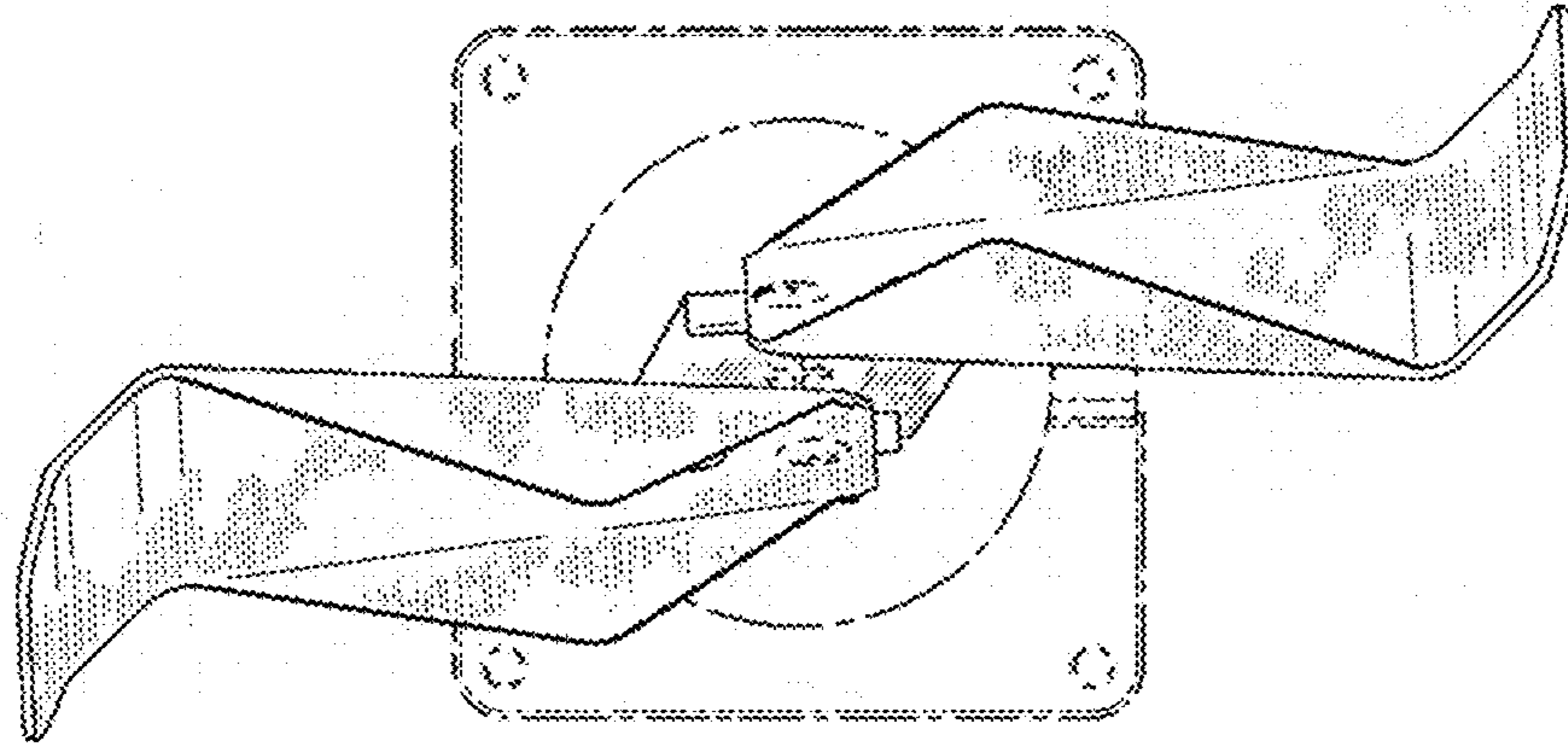


FIG. 7

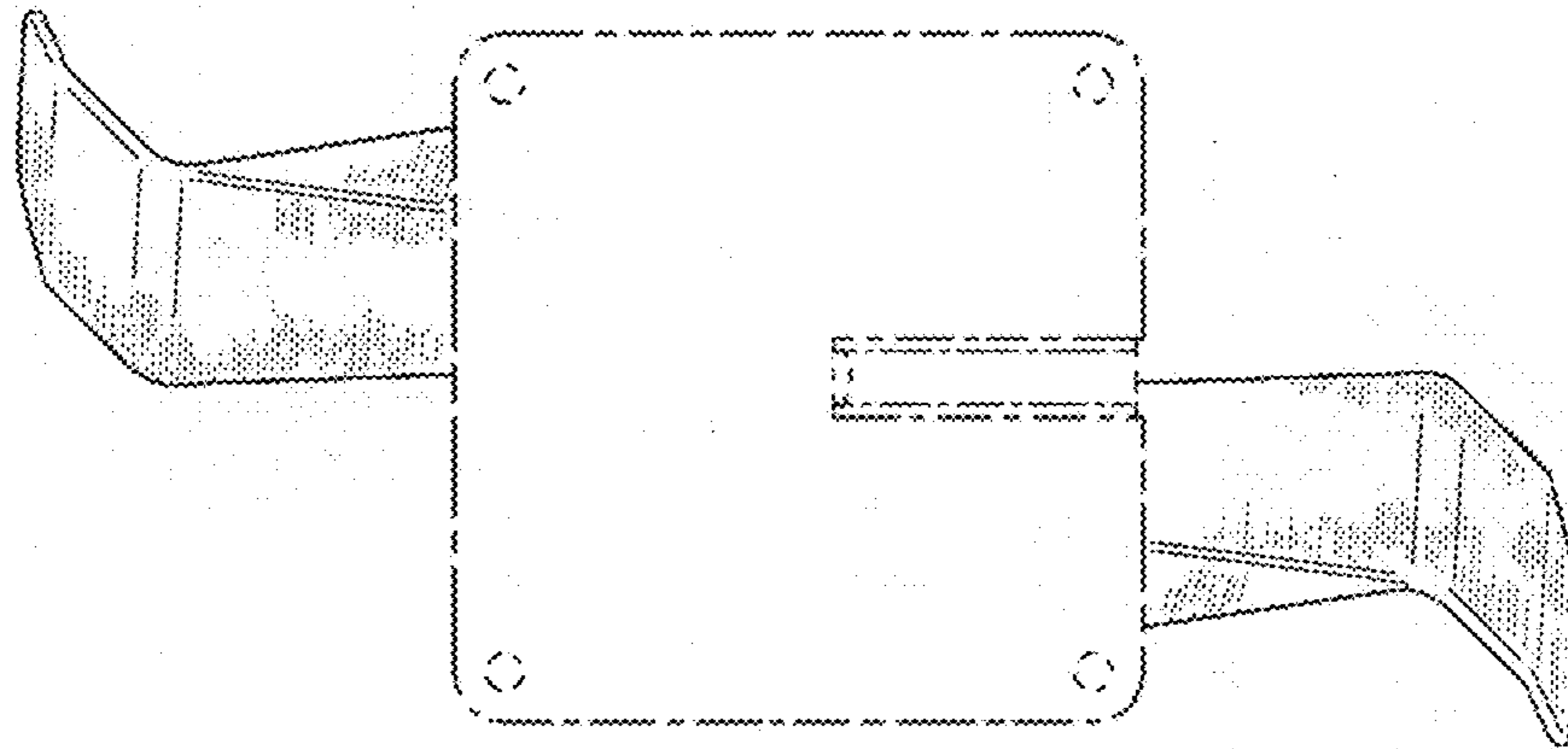


FIG. 8