



US00D807464S

(12) **United States Design Patent**  
**Warensford**

(10) **Patent No.:** **US D807,464 S**  
(45) **Date of Patent:** **\*\* Jan. 9, 2018**

(54) **LOW-PROFILE FOLDING REAR SIGHT**

(71) Applicant: **Spike's Tactical, LLC**, Apopka, FL  
(US)

(72) Inventor: **Wayne Richard Warensford**, DeLand,  
FL (US)

(73) Assignee: **Spike's Tactical, LLC**, Apopka, FL  
(US)

(\*\*) Term: **15 Years**

(21) Appl. No.: **29/569,215**

(22) Filed: **Jun. 24, 2016**

(51) **LOC (11) Cl.** ..... **22-01**

(52) **U.S. Cl.**  
USPC ..... **D22/109**

(58) **Field of Classification Search**  
USPC ..... D22/108–110  
CPC . F41G 11/003; F41G 1/00; F41G 1/16; F41G  
1/345

See application file for complete search history.

(56) **References Cited**

U.S. PATENT DOCUMENTS

1,586,413	A	5/1926	Doornbos	
D526,380	S *	8/2006	Swan	D22/109
7,356,962	B2 *	4/2008	Swan	F41G 1/065 42/133
7,726,229	B2	6/2010	Schwerman et al.	
D635,634	S *	4/2011	Swan	D22/109
D637,259	S *	5/2011	Swan	D22/109

D637,261	S *	5/2011	Swan	D22/109
7,946,072	B2 *	5/2011	Tsai	F41G 1/383 42/129
8,015,744	B1 *	9/2011	Swan	F41G 1/065 42/133
D675,281	S *	1/2013	Speroni	D22/109
D687,915	S *	8/2013	Adcock, Jr.	D22/109
D704,792	S *	5/2014	Fitzpatrick	D22/108
D724,691	S *	3/2015	Barfoot	D22/109
2009/0071056	A1	3/2009	Storch et al.	

\* cited by examiner

*Primary Examiner* — Michael A Pratt

(74) *Attorney, Agent, or Firm* — Wood Herron & Evans  
LLP

(57) **CLAIM**

The ornamental design for a low-profile folding rear sight,  
as shown and described.

**DESCRIPTION**

FIG. 1 is a first isometric view of the low-profile folding rear sight;

FIG. 2 is a second isometric view thereof;

FIG. 3 is a rear elevational view thereof;

FIG. 4 is a front elevational view thereof;

FIG. 5 is a right side elevational view thereof;

FIG. 6 is a left side elevational view thereof;

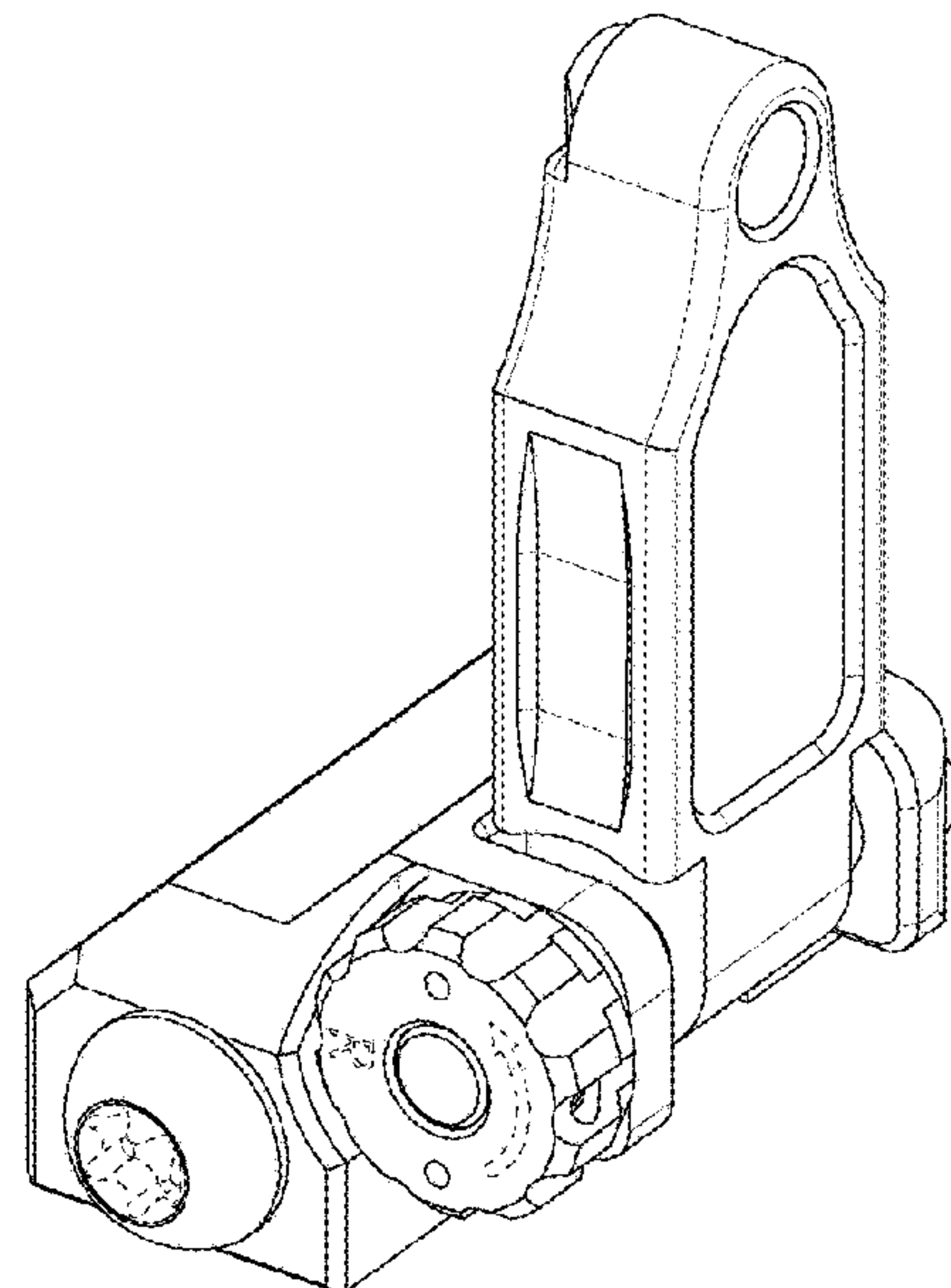
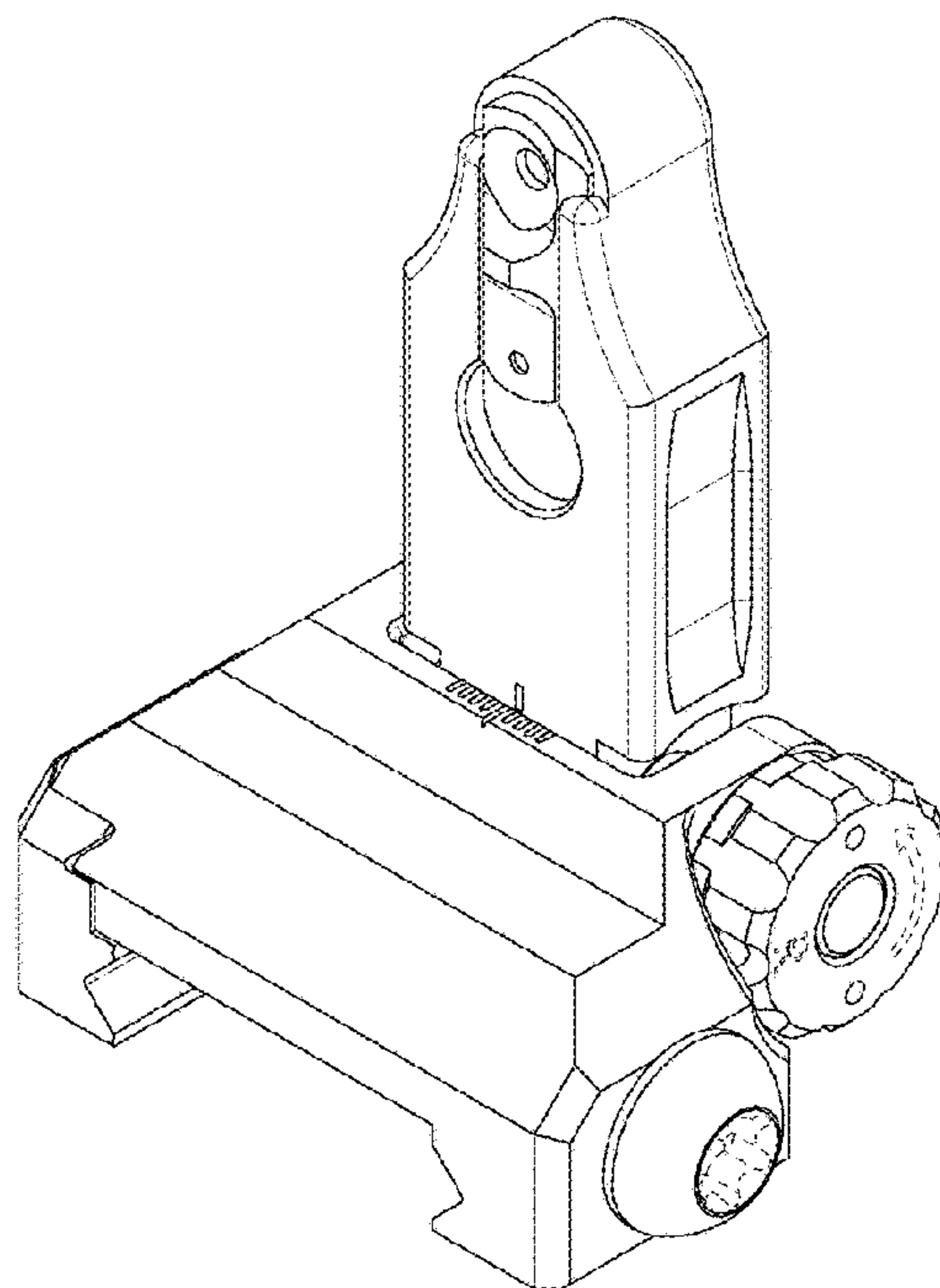
FIG. 7 is a top plan view thereof;

FIG. 8 is a bottom plan view thereof; and,

FIG. 9 is an isometric view showing the low-profile folding rear sight in a folded position.

The portions of the low-profile folding rear sight depicted in broken lines forms no part of the claimed design.

**1 Claim, 4 Drawing Sheets**



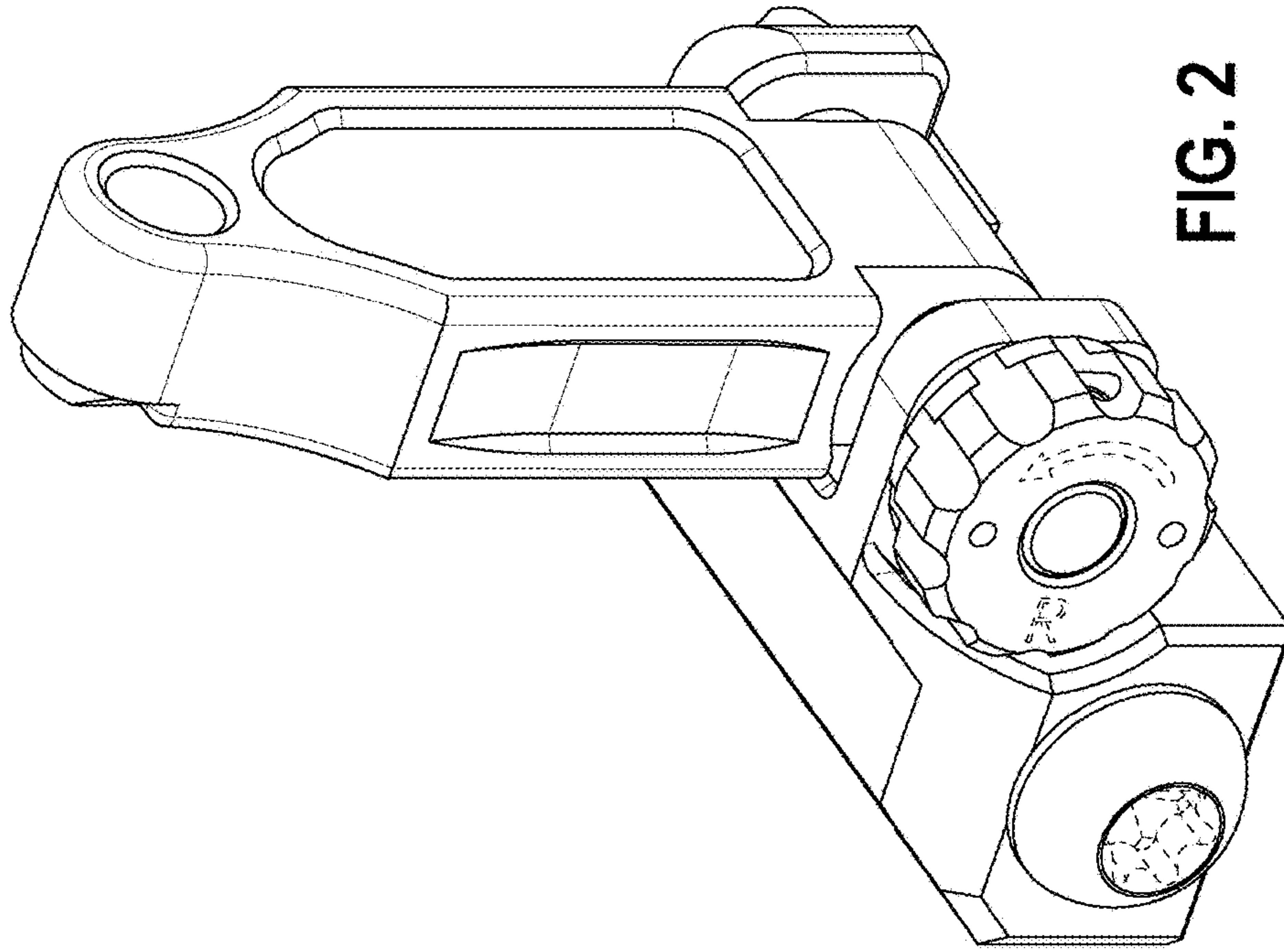


FIG. 2

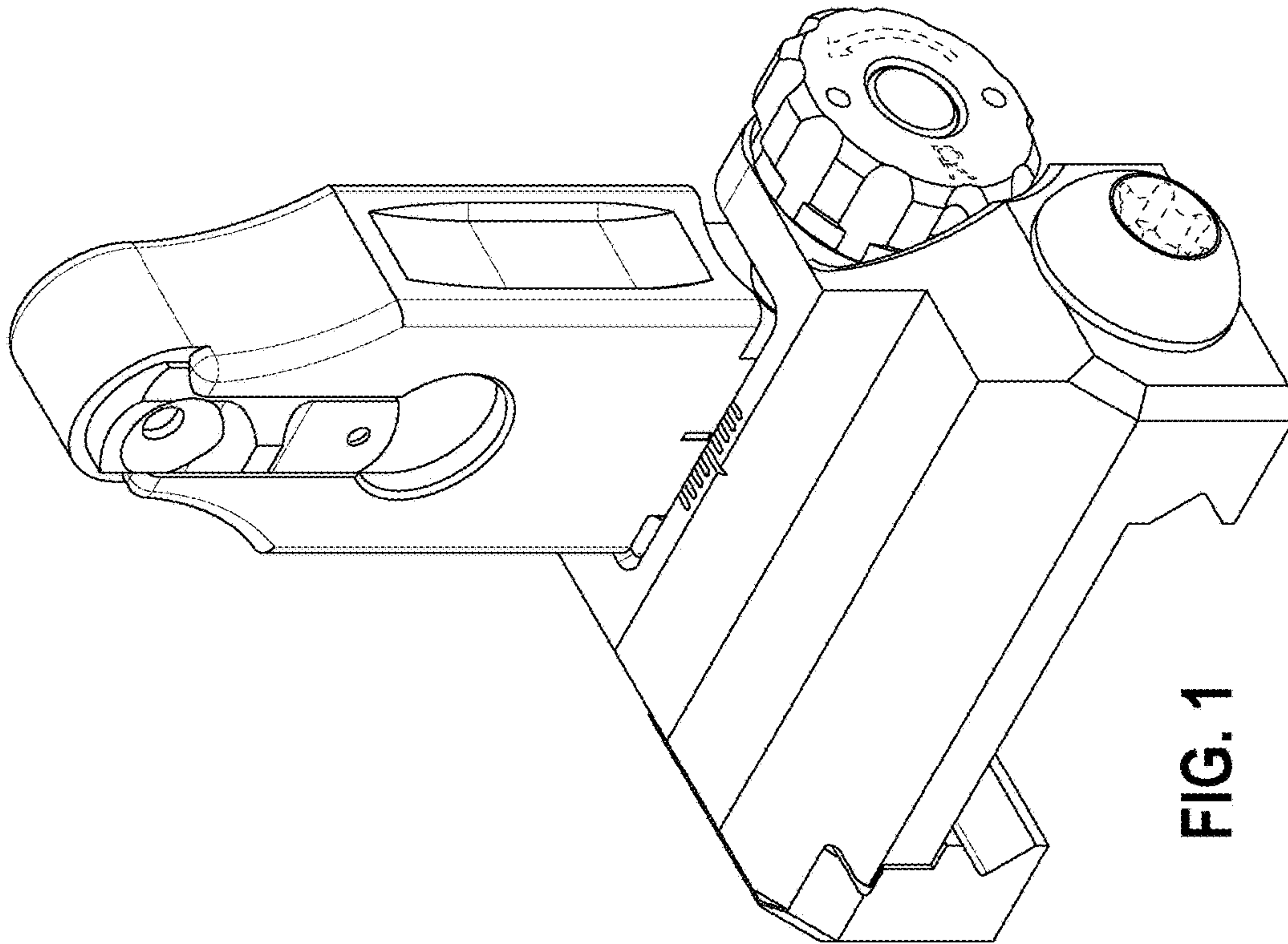


FIG. 1

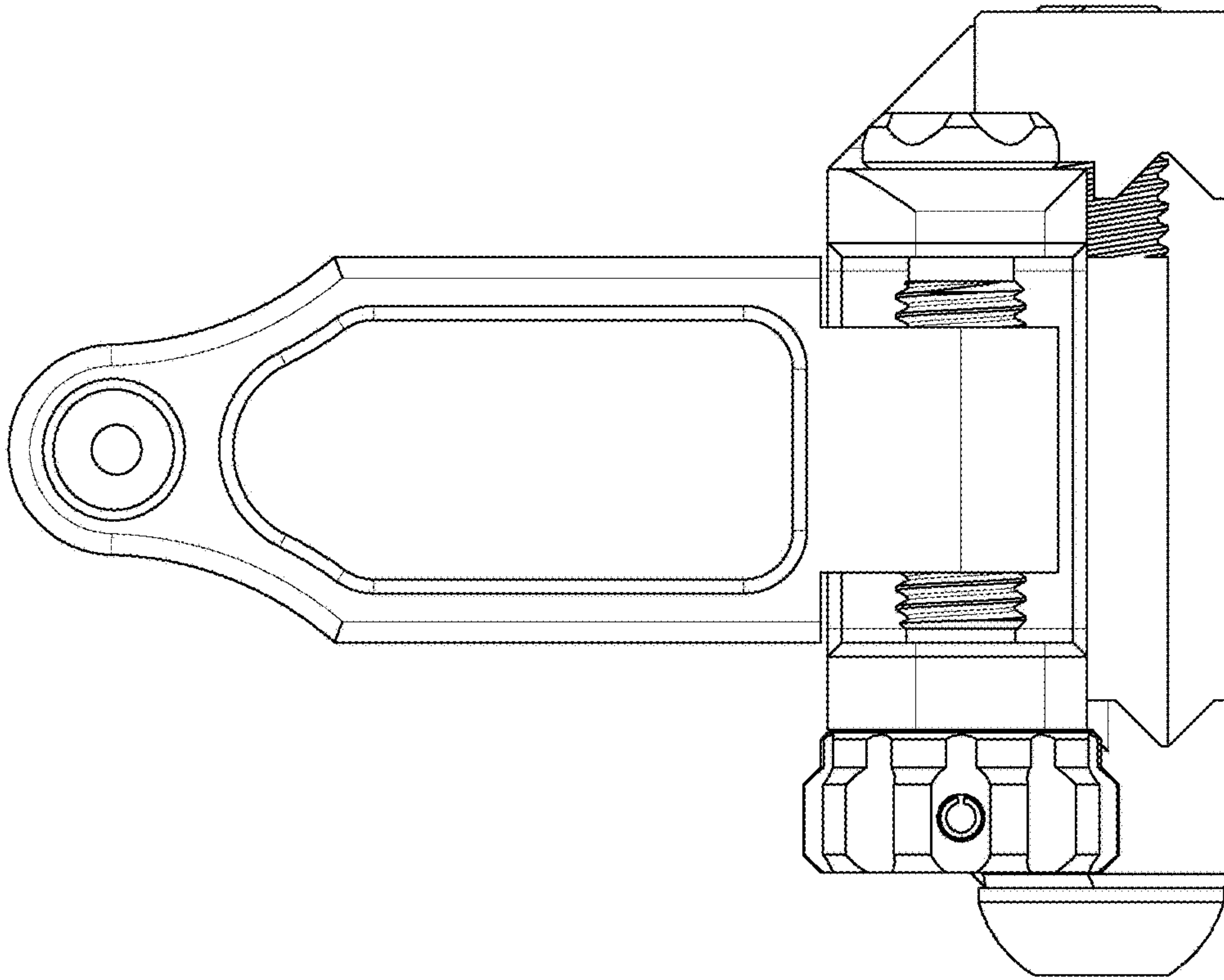


FIG. 4

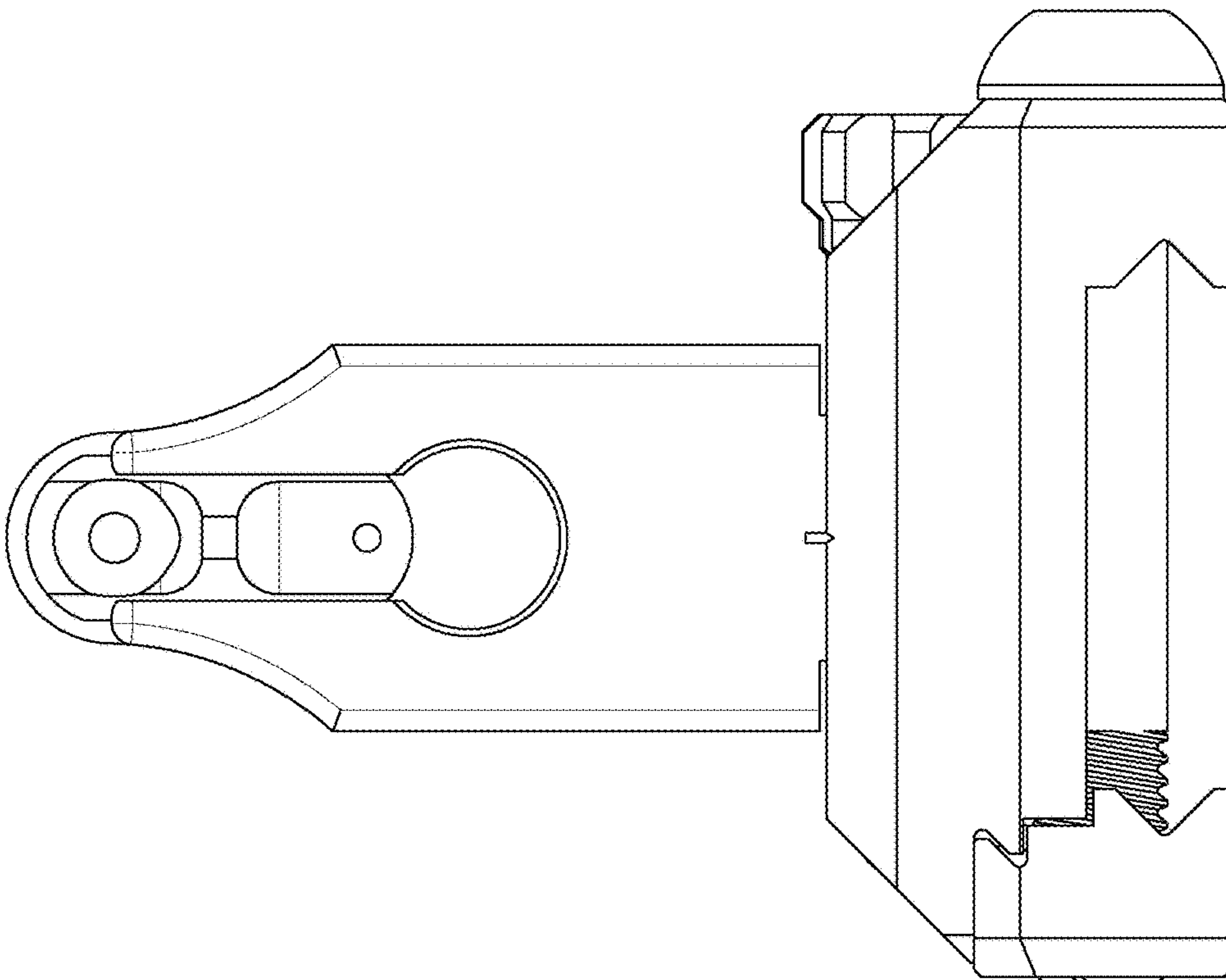


FIG. 3

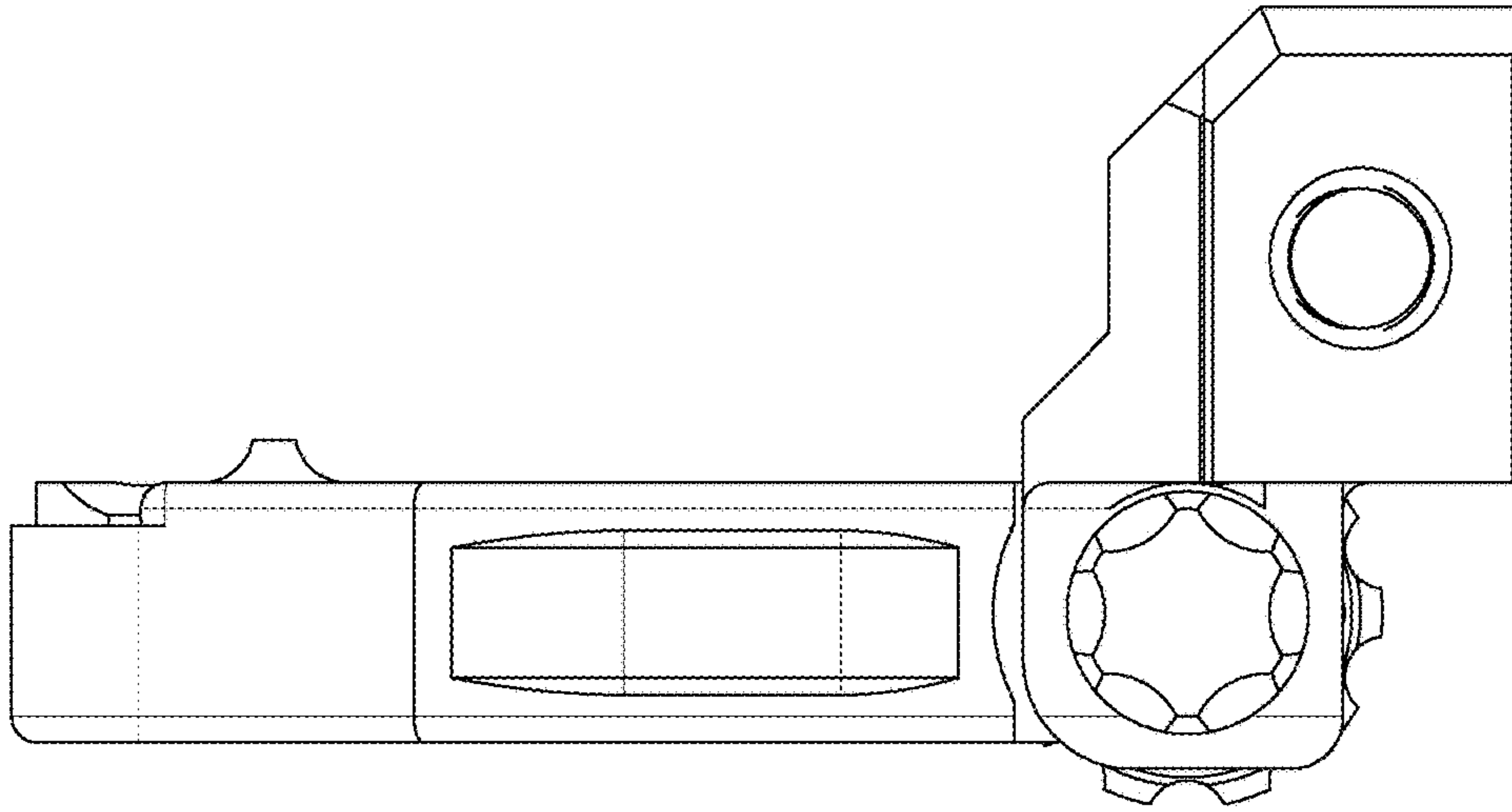


FIG. 6

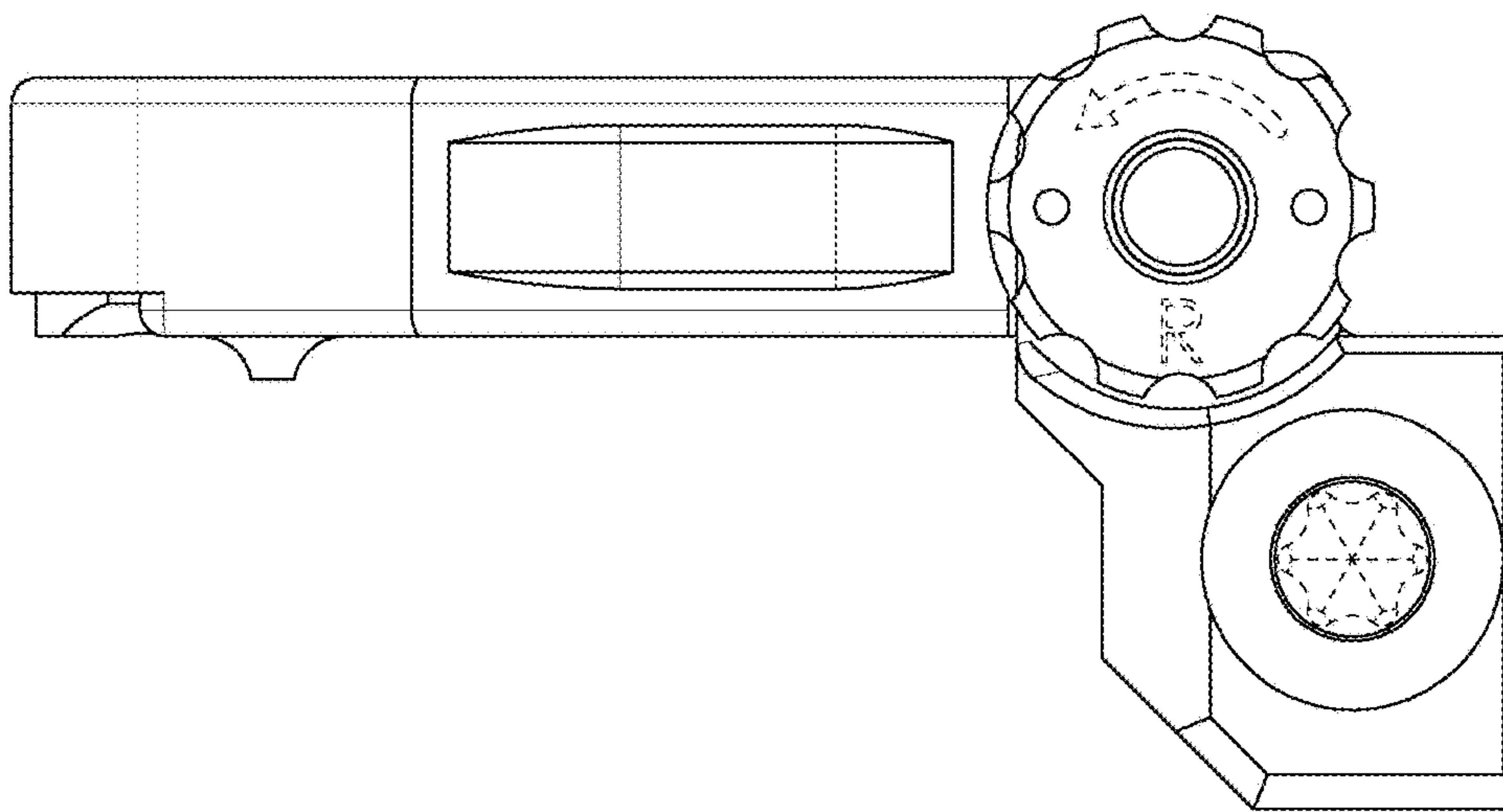


FIG. 5



