



US00D807463S

(12) **United States Design Patent**
Warensford

(10) **Patent No.:** **US D807,463 S**
(45) **Date of Patent:** **** Jan. 9, 2018**

(54) **LOW-PROFILE FOLDING FRONT SIGHT**

(71) Applicant: **Spike's Tactical, LLC**, Apopka, FL
(US)

(72) Inventor: **Wayne Richard Warensford**, DeLand,
FL (US)

(73) Assignee: **Spike's Tactical, LLC**, Apopka, FL
(US)

(**) Term: **15 Years**

(21) Appl. No.: **29/569,212**

(22) Filed: **Jun. 24, 2016**

(51) **LOC (11) Cl.** **22-01**

(52) **U.S. Cl.**
USPC **D22/109**

(58) **Field of Classification Search**
USPC D22/108–110
CPC . F41G 11/003; F41G 1/00; F41G 1/16; F41G
1/345

See application file for complete search history.

(56) **References Cited**

U.S. PATENT DOCUMENTS

1,586,413 A	5/1926	Doornbos	
D565,144 S *	3/2008	Price	D22/109
7,356,962 B2 *	4/2008	Swan	F41G 1/065 42/133
D584,788 S *	1/2009	Price	D22/109
D615,144 S *	5/2010	Mayberry	D22/109
7,726,229 B2	6/2010	Schwerman et al.	
D635,634 S *	4/2011	Swan	D22/109
D637,259 S *	5/2011	Swan	D22/109
D637,261 S *	5/2011	Swan	D22/109

7,946,072 B2 *	5/2011	Tsai	F41G 1/383 42/129
8,015,744 B1 *	9/2011	Swan	F41G 1/065 42/133
D647,158 S *	10/2011	Dueck	F41G 1/16 D22/109
D657,013 S *	4/2012	Swan	F41G 1/065 D22/109
D705,890 S *	5/2014	Fitzpatrick	D22/109
2009/0071056 A1	3/2009	Storch et al.	

* cited by examiner

Primary Examiner — Michael A Pratt

(74) *Attorney, Agent, or Firm* — Wood Herron & Evans
LLP

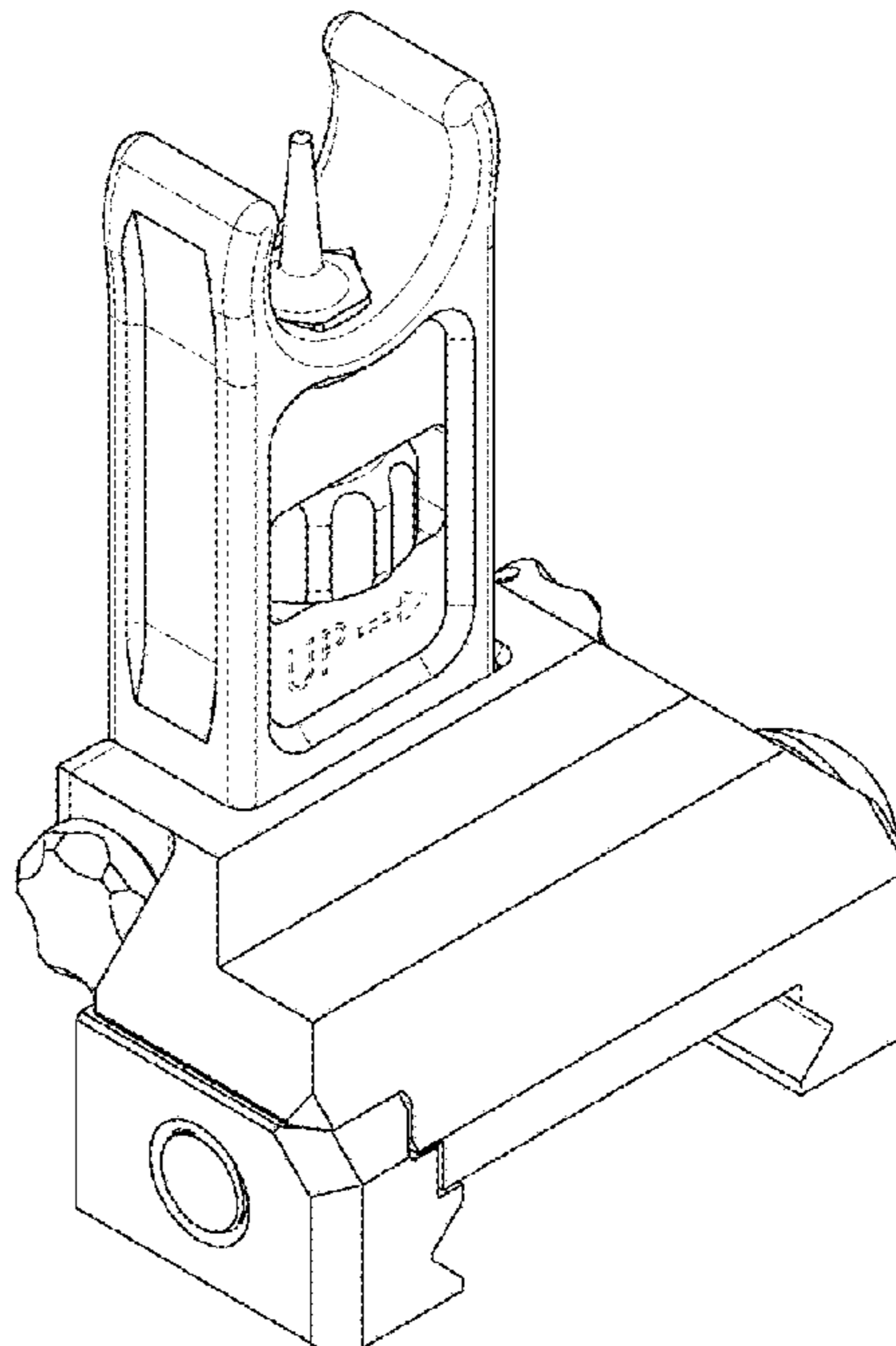
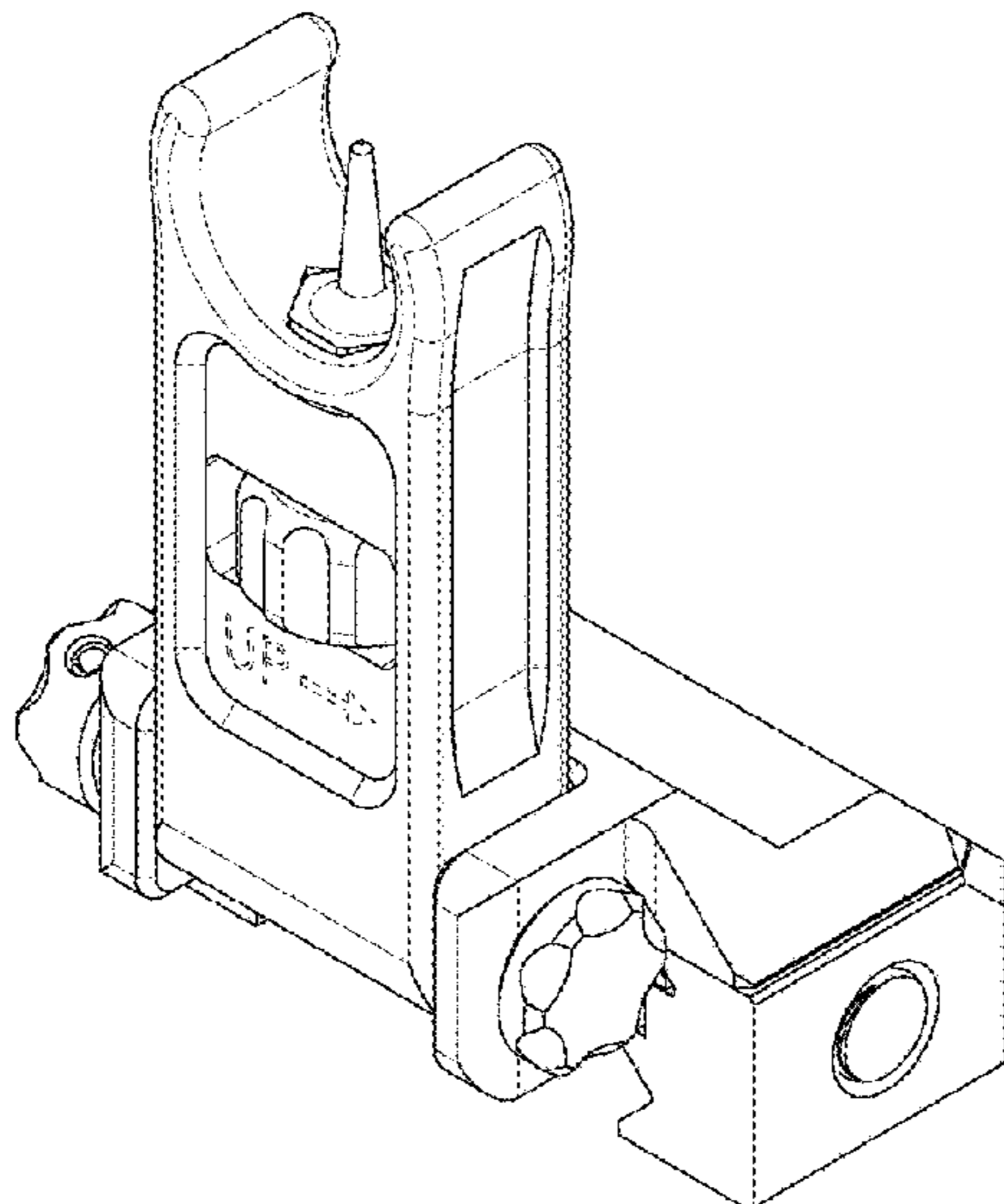
(57) **CLAIM**

The ornamental design for a low-profile folding front sight,
as shown and described.

DESCRIPTION

FIG. 1 is a first isometric view of the low-profile folding front sight;
FIG. 2 is a second isometric view thereof;
FIG. 3 is a rear elevational view thereof;
FIG. 4 is a front elevational view thereof
FIG. 5 is a right side elevational view thereof;
FIG. 6 is a left side elevational view thereof;
FIG. 7 is a top plan view thereof;
FIG. 8 is a bottom plan view thereof; and,
FIG. 9 is an isometric view showing the low-profile folding front sight in a folded position.
The portions of the low-profile folding front sight depicted in broken lines forms no part of the claimed design.

1 Claim, 4 Drawing Sheets



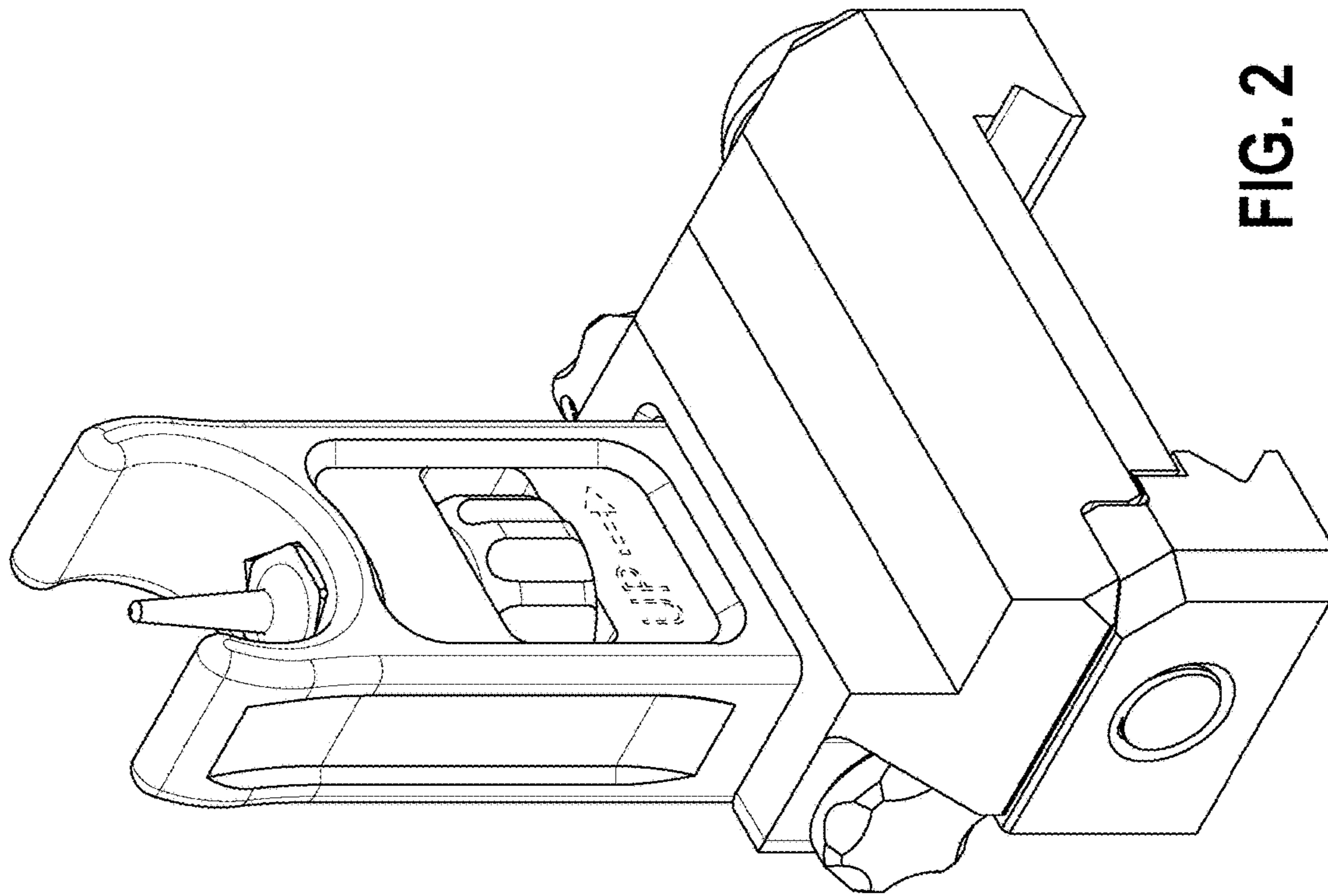


FIG. 2

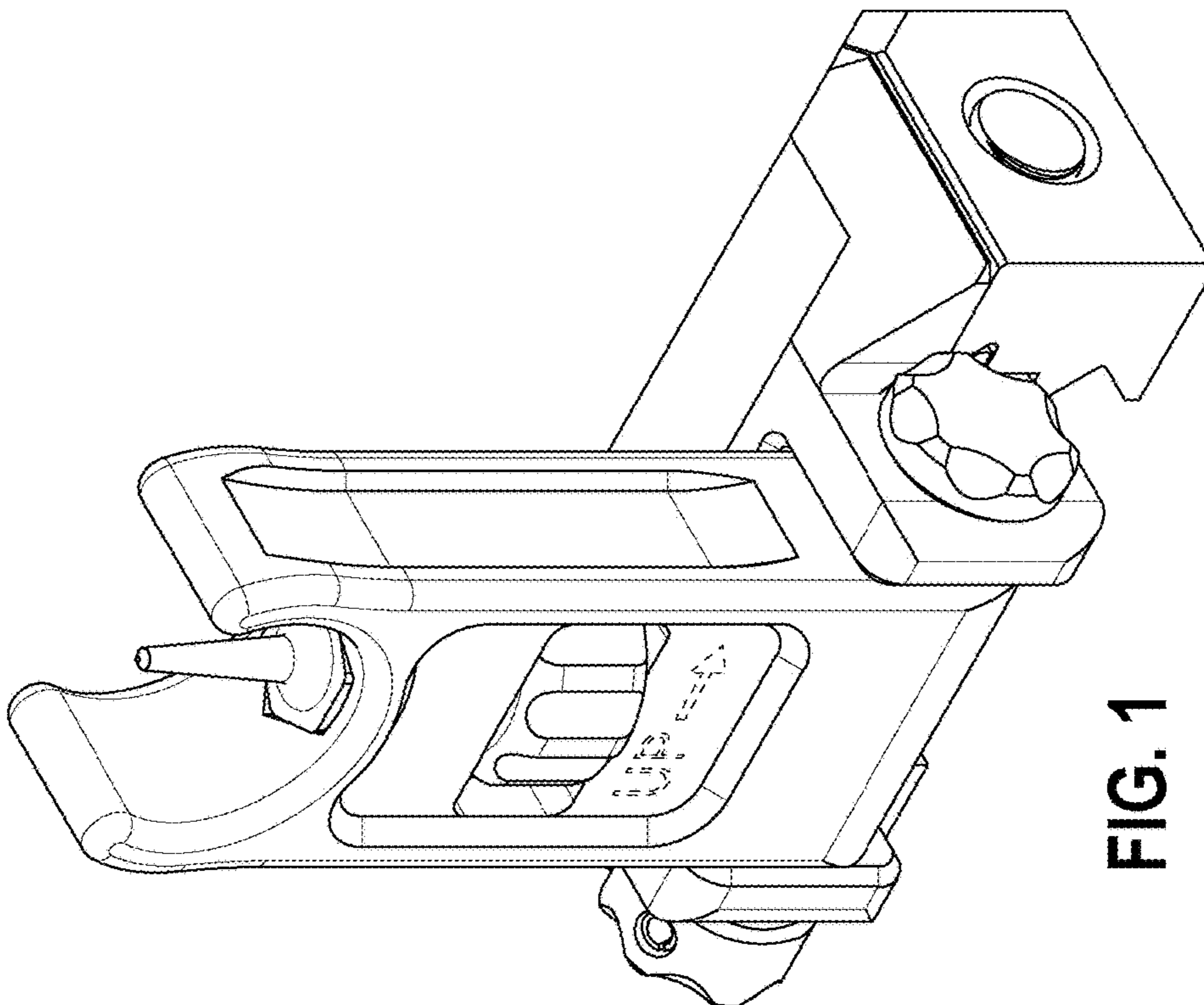


FIG. 1

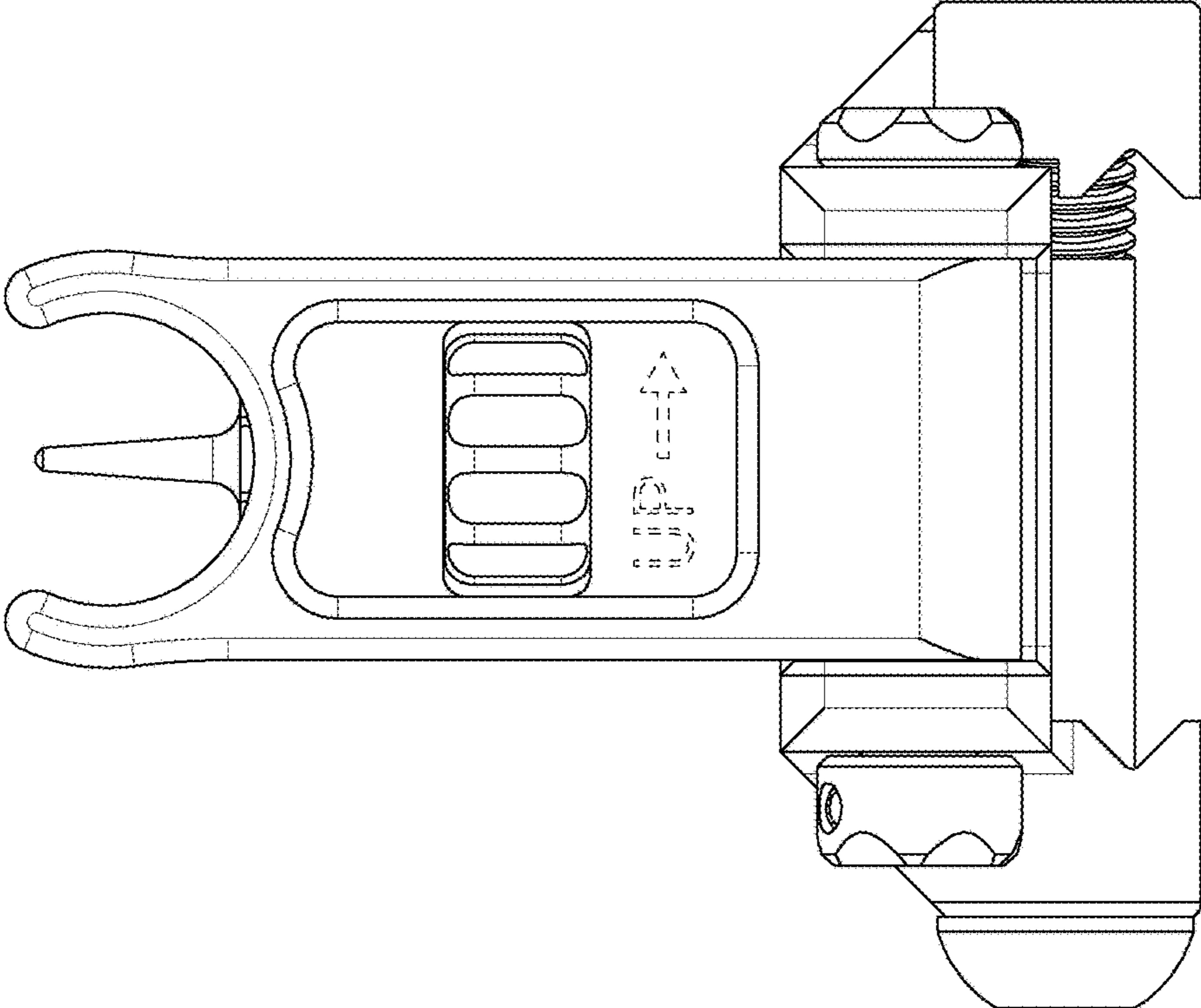


FIG. 4

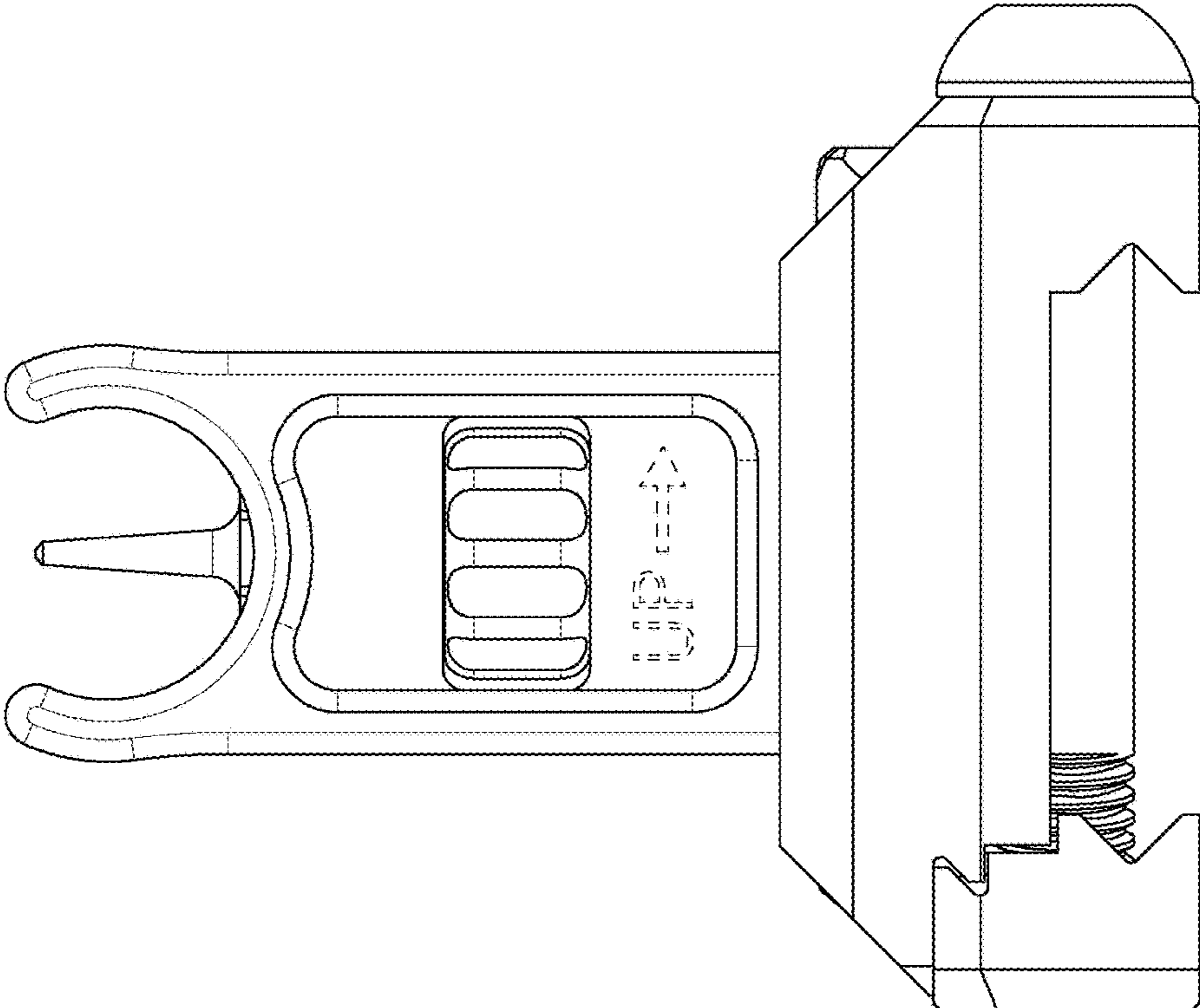


FIG. 3

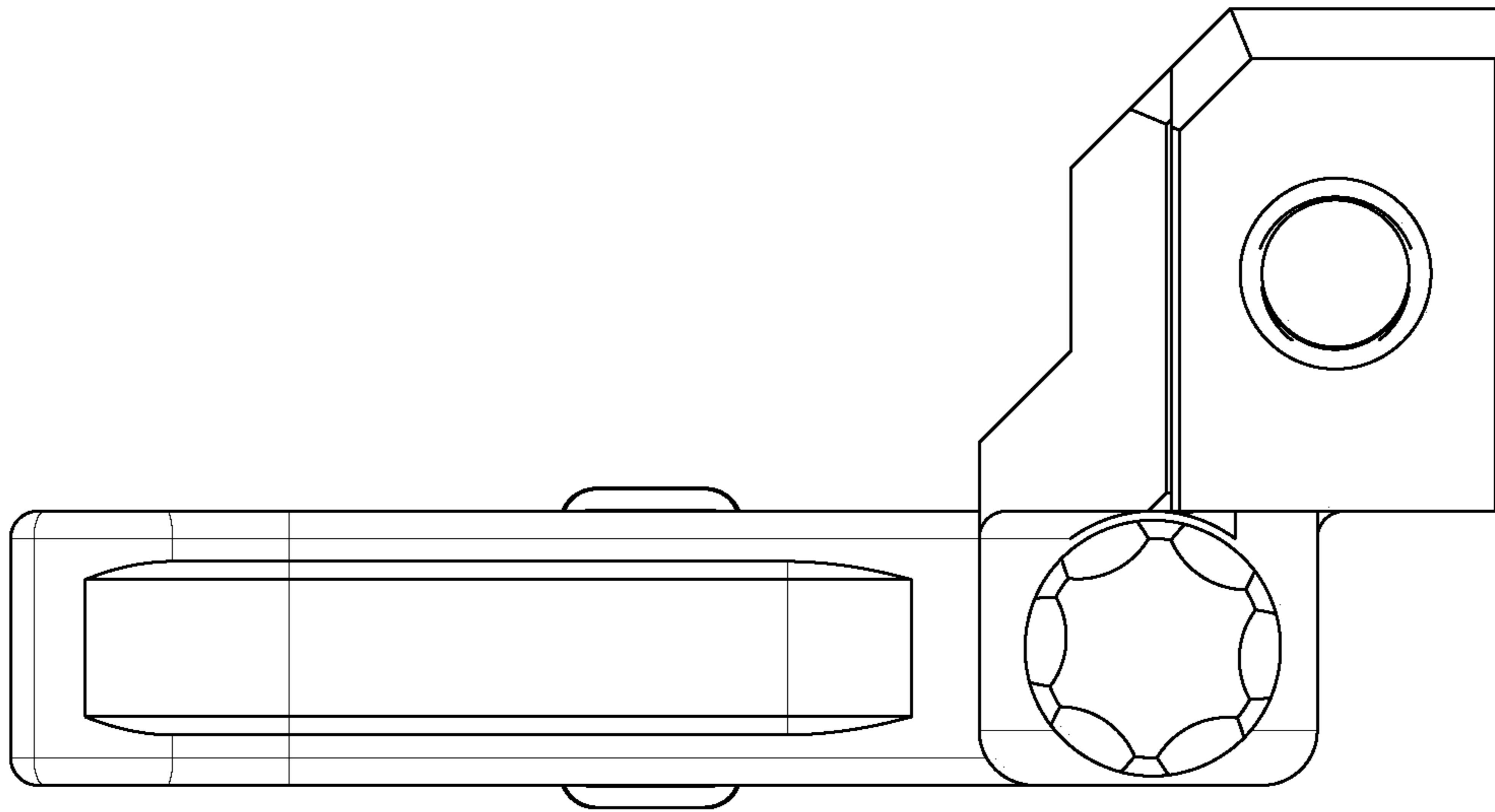


FIG. 6

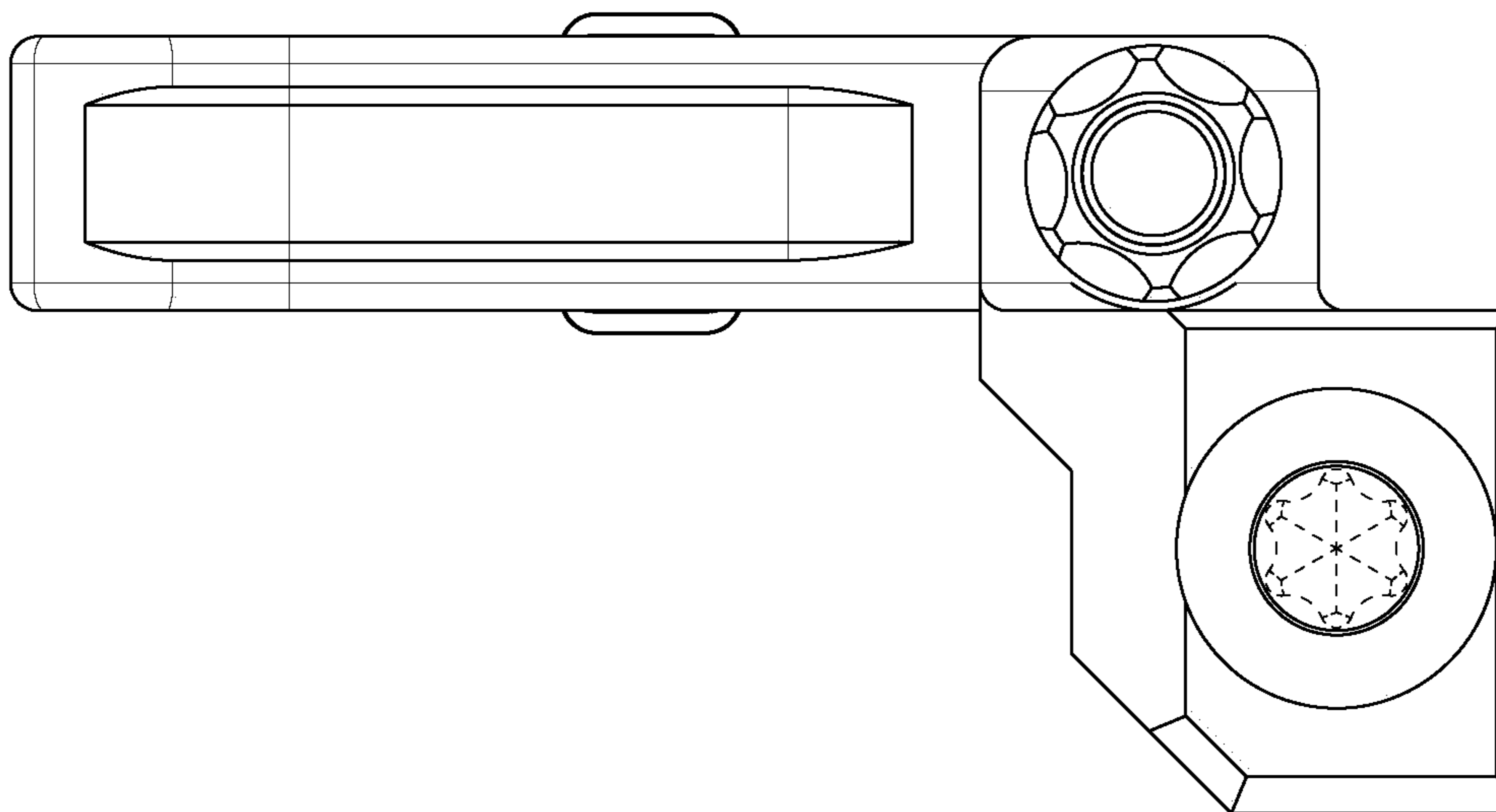


FIG. 5

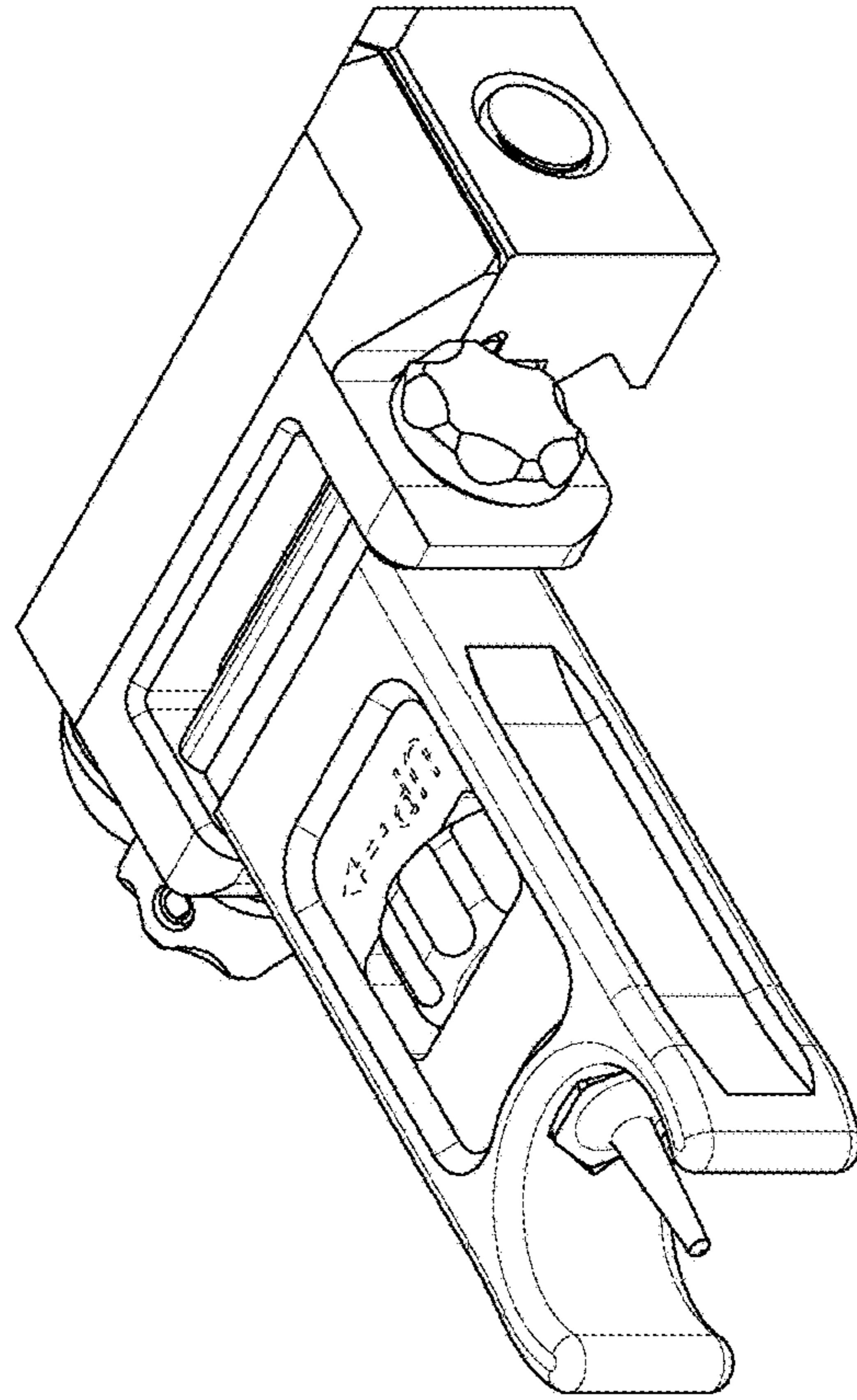


FIG. 9

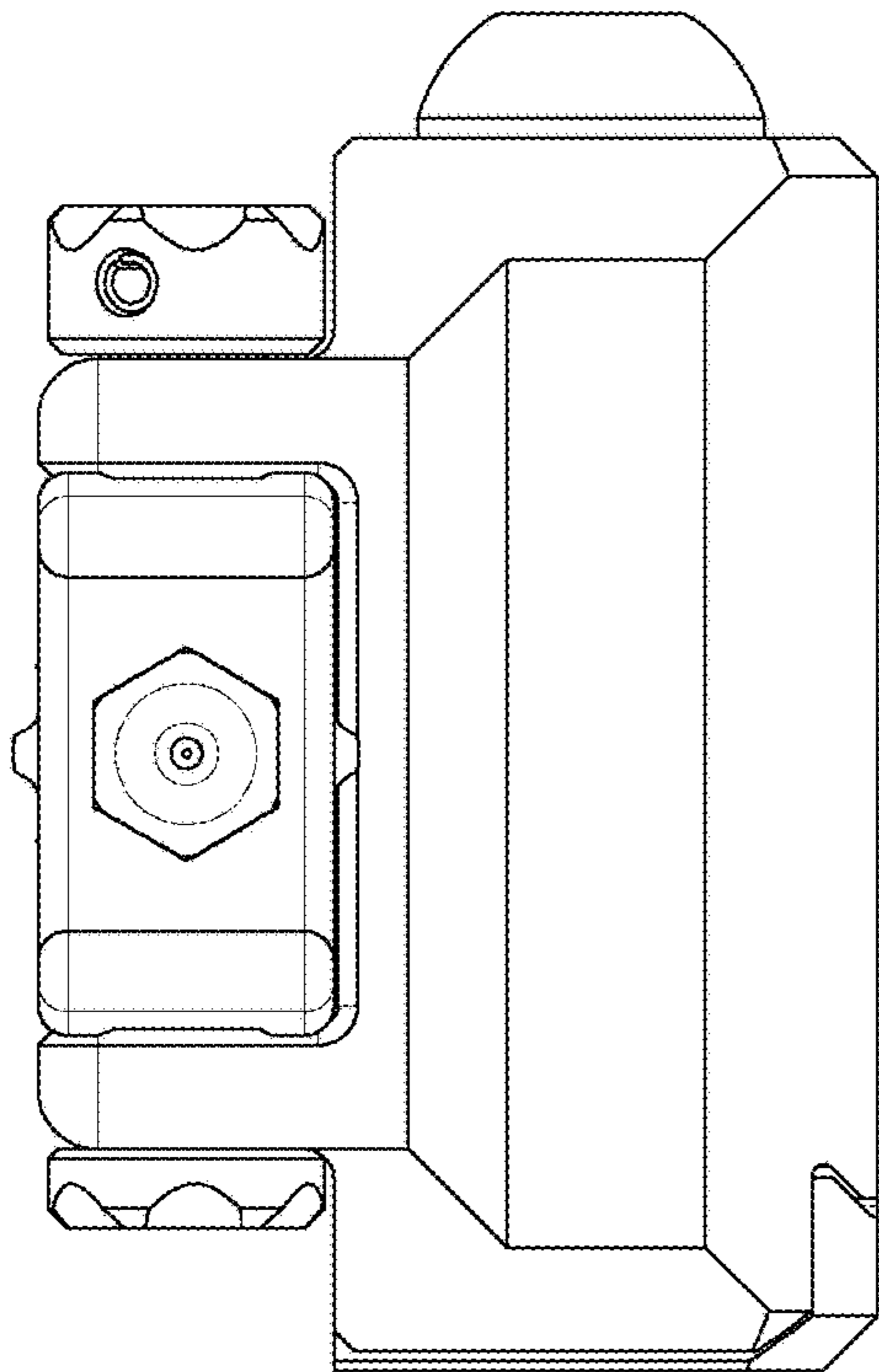


FIG. 7

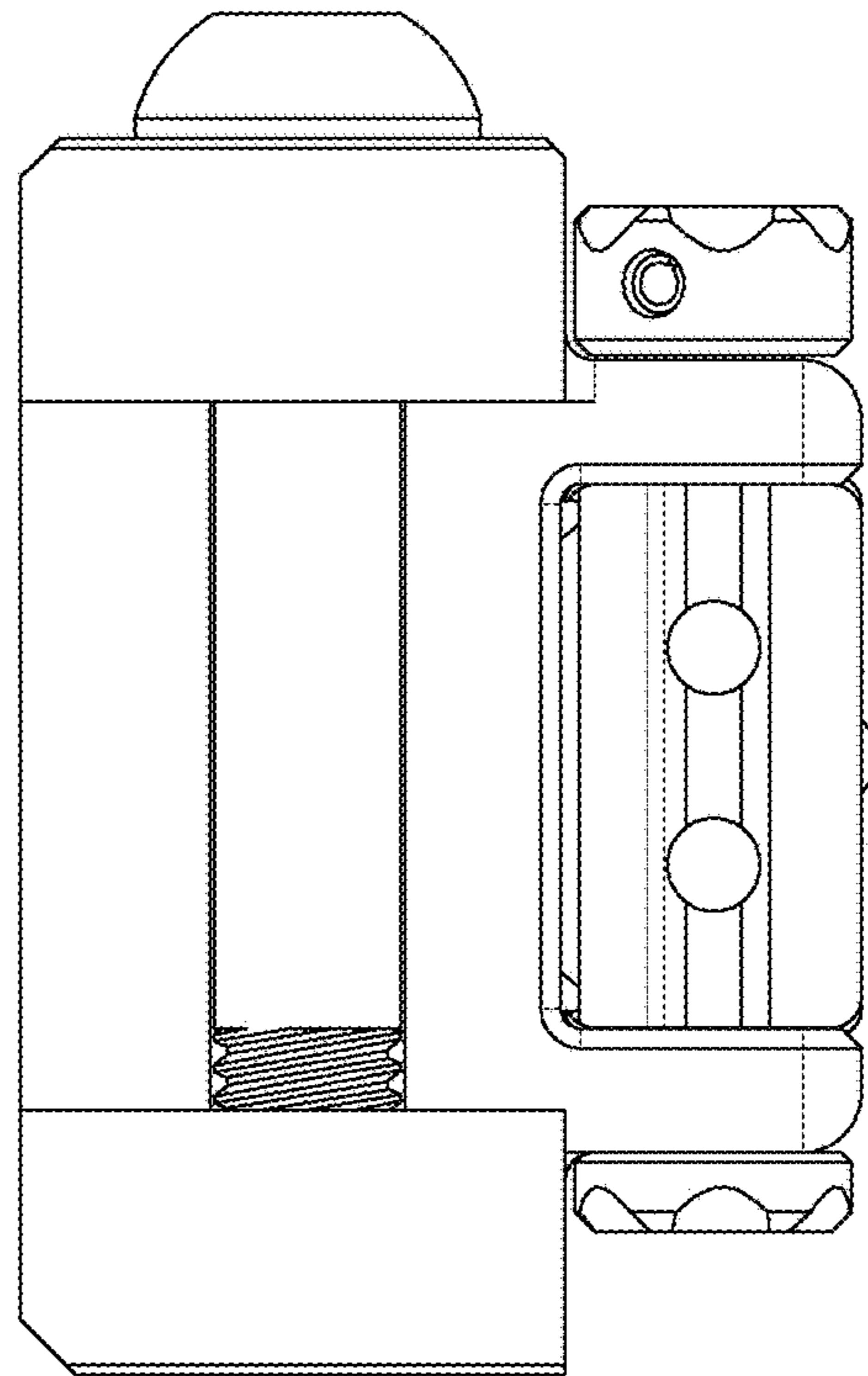


FIG. 8