



US00D807462S

(12) **United States Design Patent**  
**Larsson**

(10) **Patent No.:** **US D807,462 S**  
(45) **Date of Patent:** **\*\* Jan. 9, 2018**

(54) **SIGHT AND ACCESSORIES FOR SIGHTS**

(71) Applicant: **Aimpoint AB**, Malmö (SE)

(72) Inventor: **Niklas Larsson**, Akarp (SE)

(73) Assignee: **Aimpoint AB**, Malmö (SE)

(\*\*) Term: **15 Years**

(21) Appl. No.: **29/567,238**

(22) Filed: **Jun. 7, 2016**

(30) **Foreign Application Priority Data**

Jan. 15, 2016 (EM) ..... 002946442-0003

(51) **LOC (11) Cl.** ..... **22-01**

(52) **U.S. Cl.**  
USPC ..... **D22/109**

(58) **Field of Classification Search**  
USPC ..... D22/108–110  
CPC . F41G 11/003; F41G 1/00; F41G 1/16; F41G  
1/345  
See application file for complete search history.

(56) **References Cited**

**U.S. PATENT DOCUMENTS**

D619,190 S *	7/2010	Larsson	.....	D22/108
D679,775 S *	4/2013	Cheng	.....	D22/109
D704,297 S *	5/2014	Cheng	.....	D22/109
D728,062 S *	4/2015	Hamilton	.....	D22/109
D732,137 S *	6/2015	Hamilton	.....	D22/109
D741,446 S *	10/2015	Cheng	.....	D22/109

D752,701 S *	3/2016	Bengtsson	.....	D22/109
D764,006 S *	8/2016	Horton	.....	D22/109
D764,007 S *	8/2016	Horton	.....	D22/109
D765,212 S *	8/2016	Cheng	.....	D22/109
D774,157 S *	12/2016	Koesler	.....	D22/109
D781,990 S *	3/2017	Cheng	.....	D22/109
D783,116 S *	4/2017	Cheng	.....	D22/109
D787,627 S *	5/2017	Horton	.....	D22/109

\* cited by examiner

*Primary Examiner* — Michael A. Pratt

(74) *Attorney, Agent, or Firm* — Thomas | Horstemeyer, LLP

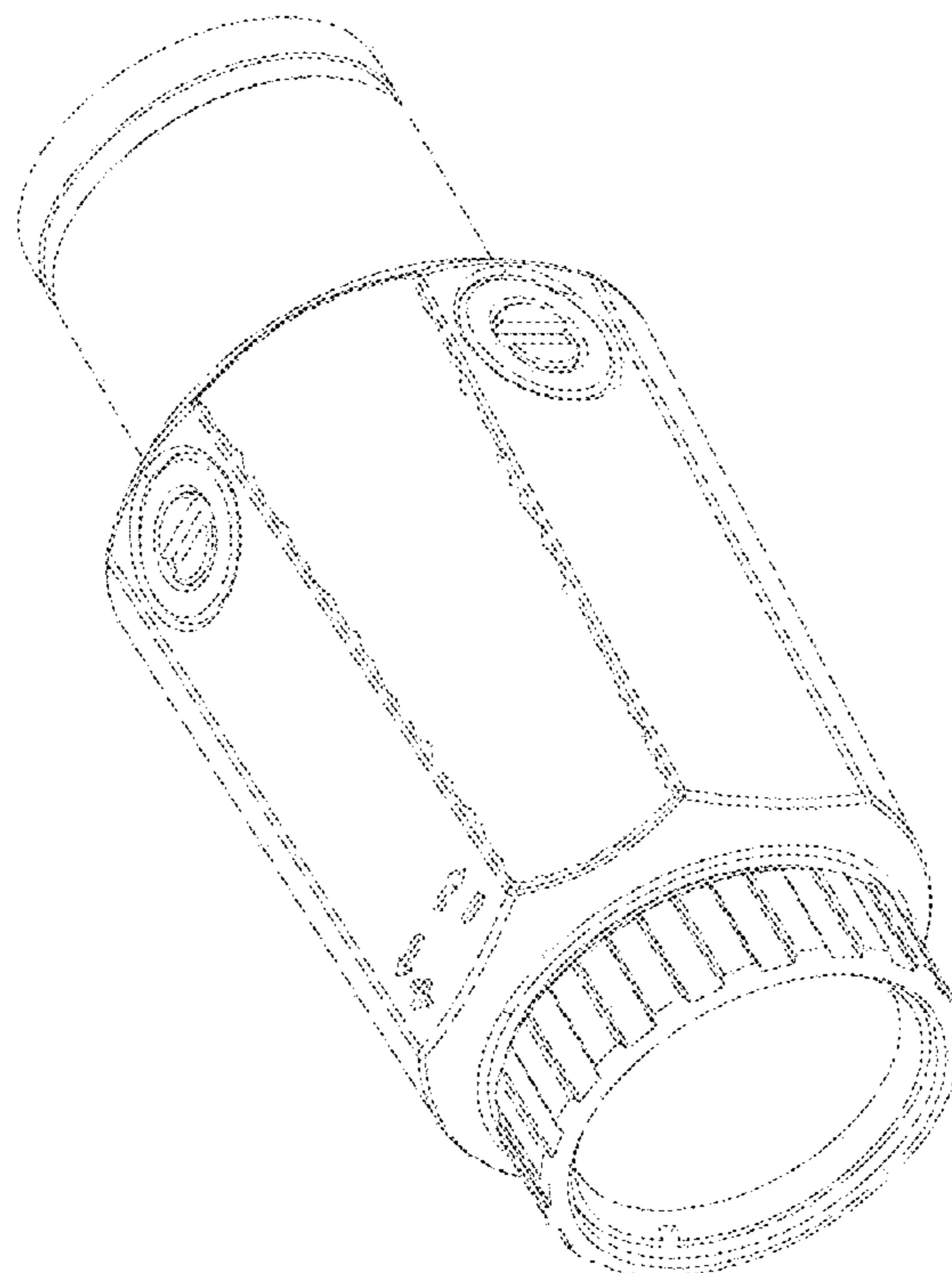
(57) **CLAIM**

The ornamental design for sight and accessories for sights, as shown and described.

**DESCRIPTION**

FIG. 1 is a perspective view of my new sight and accessories for sights;  
FIG. 2 is an end view of my new sight and accessories for sights of FIG. 1;  
FIG. 3 is an end view of my new sight and accessories for sights of FIG. 1 from the end opposite that of FIG. 2;  
FIG. 4 is a side view of my new sight and accessories for sights of FIG. 1;  
FIG. 5 is another side view of my new sight and accessories for sights of FIG. 1;  
FIG. 6 is another side view of my new sight and accessories for sights of FIG. 1; and,  
FIG. 7 is another side view of my new sight and accessories for sights of FIG. 1.

**1 Claim, 7 Drawing Sheets**



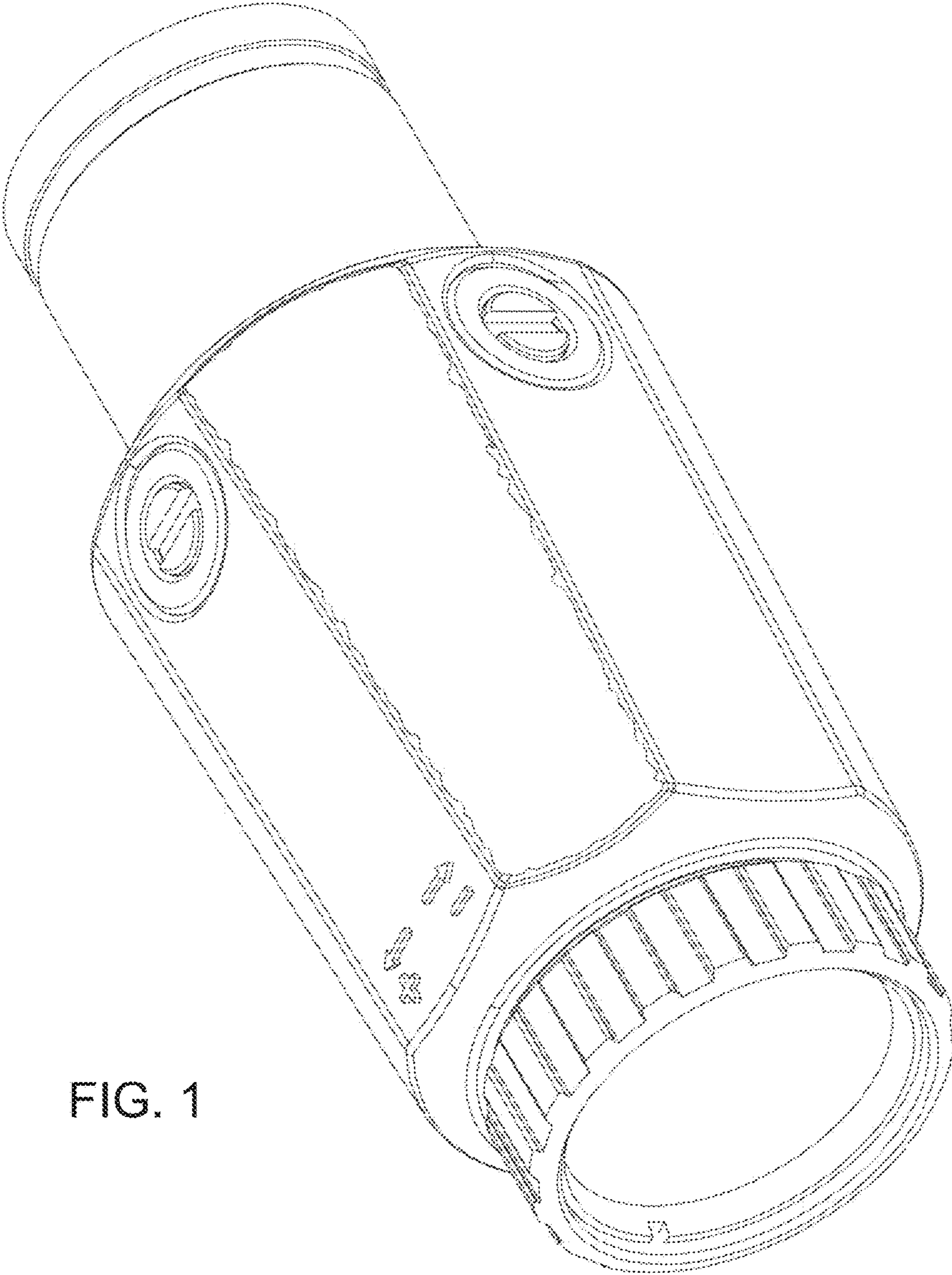


FIG. 1

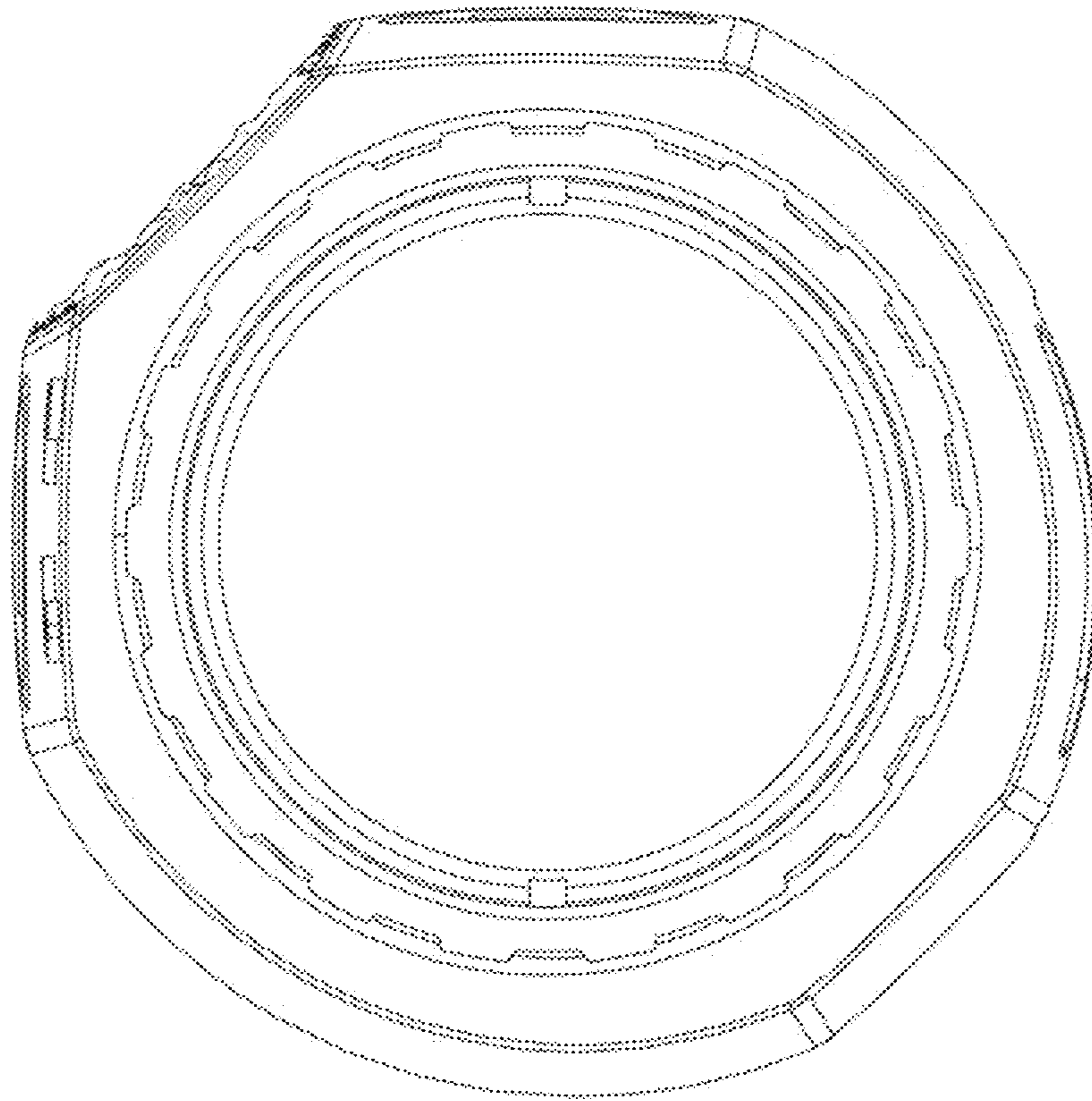


FIG. 2

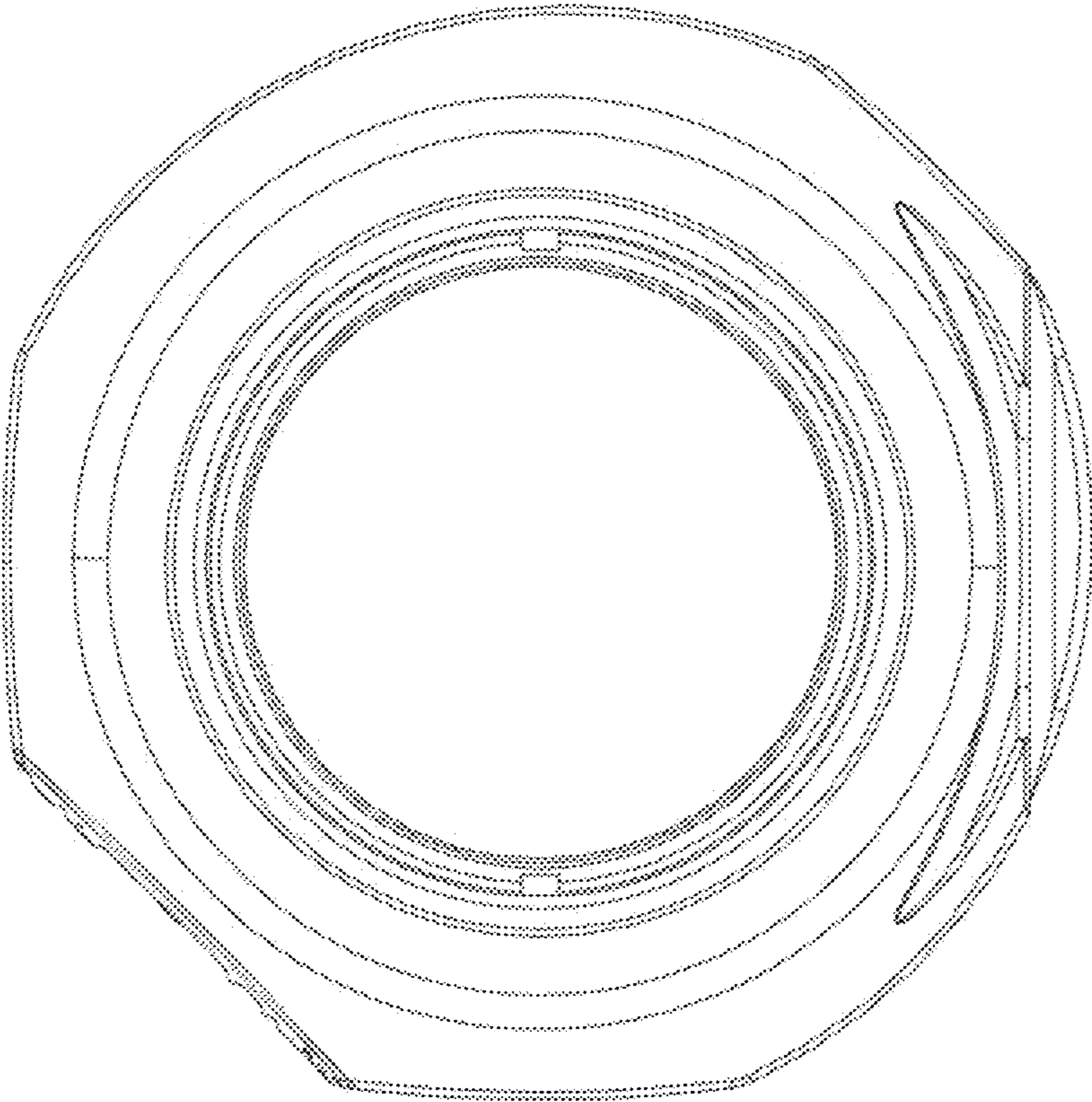


FIG. 3

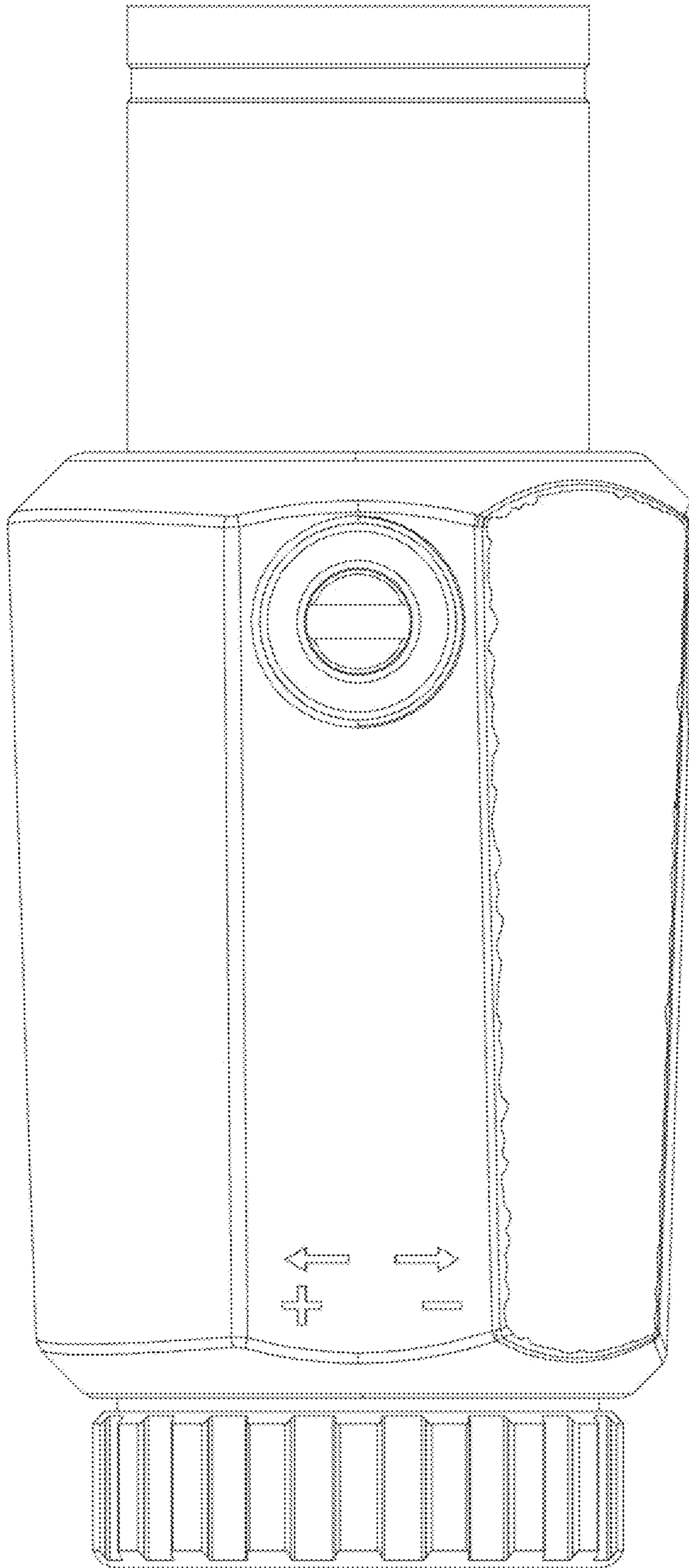
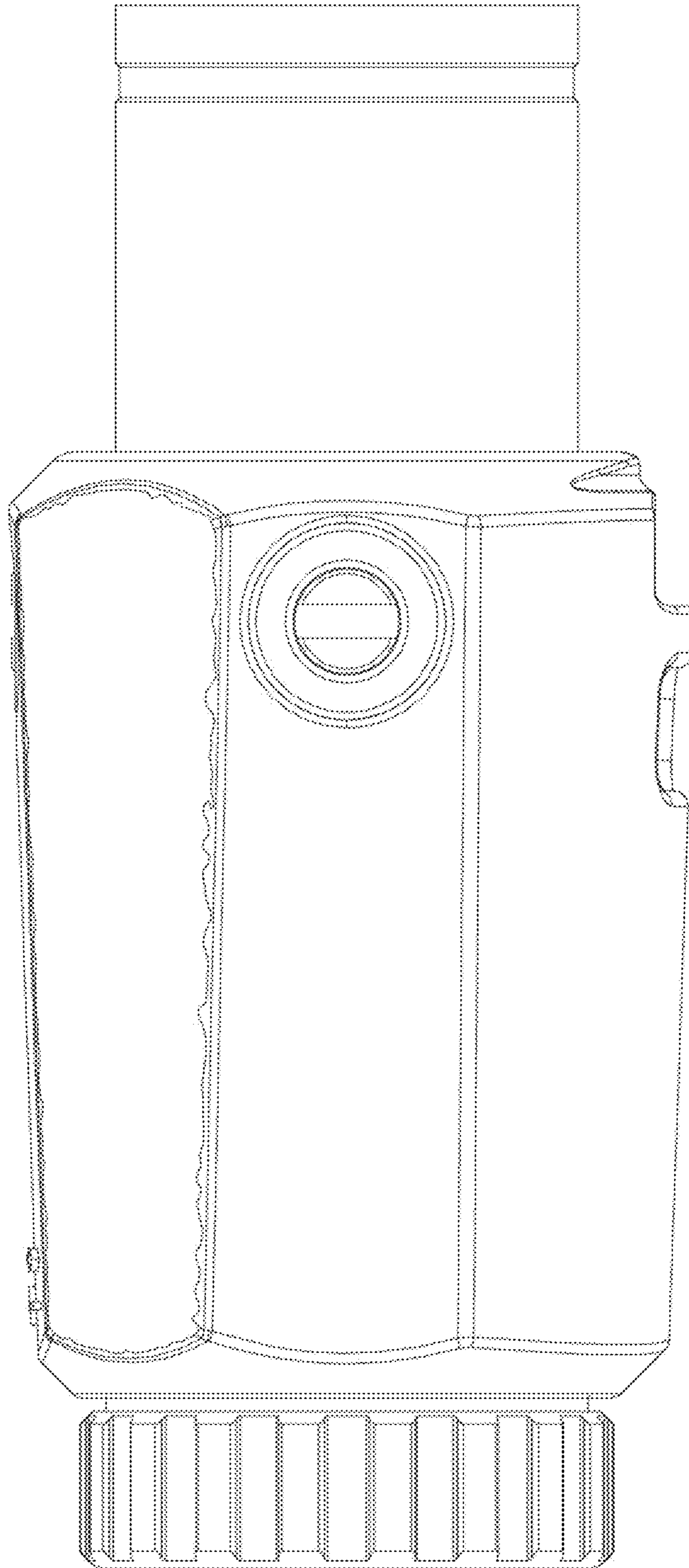


FIG. 4

FIG. 5



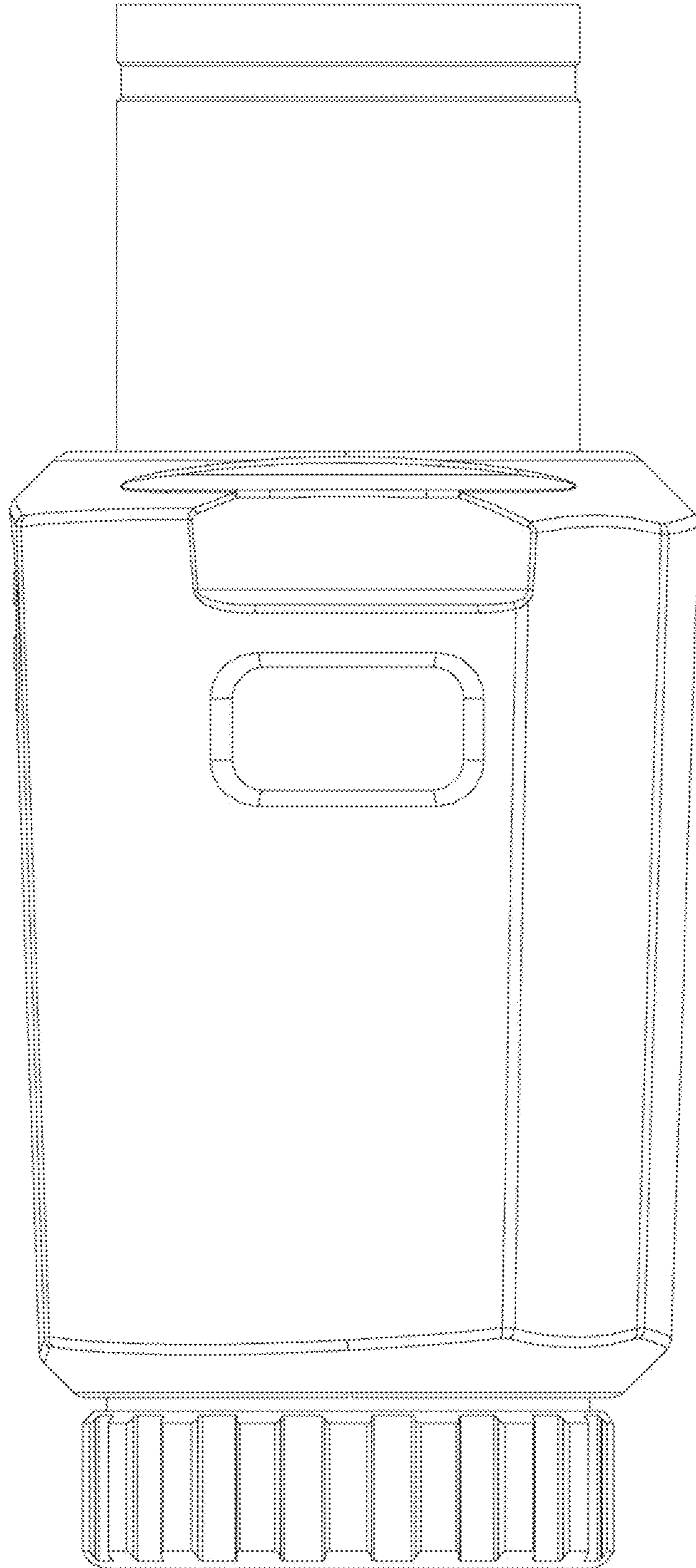


FIG. 6

FIG. 7

