



US00D807461S

(12) **United States Design Patent** (10) **Patent No.:** **US D807,461 S**
Cheng et al. (45) **Date of Patent:** **** Jan. 9, 2018**

(54) **FIREARM MUZZLE BRAKE**

(71) Applicants: **Carson Cheng**, City of Industry, CA (US); **Jason Michael Cheng**, City of Industry, CA (US)

(72) Inventors: **Carson Cheng**, City of Industry, CA (US); **Jason Michael Cheng**, City of Industry, CA (US)

(73) Assignee: **NeSTAR, Inc.**, City of Industry, CA (US)

(**) Term: **15 Years**

(21) Appl. No.: **29/553,712**

(22) Filed: **Feb. 3, 2016**

(51) **LOC (11) Cl.** **22-01**

(52) **U.S. Cl.**
USPC **D22/108**

(58) **Field of Classification Search**
USPC D22/108, 109, 100, 101, 103, 104, 105, D22/106, 107, 110, 115; D26/38; D21/572-575; D14/418; 42/119, 122, 42/124, 126, 127, 143, 10, 111, 114, 118, 42/120, 123, 125, 132, 85, 90, 113, 117, 42/141, 67; 86/10; 102/450, 451, 452, 102/532, 461; D7/672; D2/958
CPC F41G 11/001; F41G 11/003; F41G 11/004; F41G 11/005; F41G 11/006; F41G 1/00; F41G 1/065; F41G 1/08; F41G 1/17; F41G 1/42; F41G 1/32; F41G 1/35; F41G 1/38; F41G 1/02; F41G 1/12; F41G 1/16; F41G 1/345; F41G 1/425; F41A 21/482; F41A 21/488; F41A 11/02; F41A 3/66; F41A 21/30; F41A 21/00; F41C 23/04; F41C 23/10; F41C 23/14; F41C 23/16; F41C 23/20; G02B 23/105; G02B 27/34; G02B 27/10

See application file for complete search history.

(56) **References Cited**

U.S. PATENT DOCUMENTS

D158,795 S * 5/1950 Powell 42/79
D158,796 S * 5/1950 Powell 42/79
D158,797 S * 5/1950 Powell 42/79

(Continued)

FOREIGN PATENT DOCUMENTS

TR 087696-0001 * 12/2015

OTHER PUBLICATIONS

VAM1022B 10 22 Muzzle Brake, no date available, [online], [site visited Dec. 1, 2016]. Retrieved from <url:http://www.ncstar.com/product/product-detail.aspx?ModelNo=VAM1022B&GroupNo=0>.*

(Continued)

Primary Examiner — Jeffrey D Asch
Assistant Examiner — Tracey J Bell

(74) *Attorney, Agent, or Firm* — Raymond Y. Chan; David and Raymond Patent Firm

(57) **CLAIM**

The ornamental design for a firearm muzzle brake, as shown and described.

DESCRIPTION

FIG. 1 is a perspective view of a firearm muzzle brake showing our new design;
FIG. 2 is a front view thereof;
FIG. 3 is a rear view thereof;
FIG. 4 is a left view thereof;
FIG. 5 is a right view thereof;
FIG. 6 is a top view thereof;
FIG. 7 is a bottom view thereof; and,

(Continued)

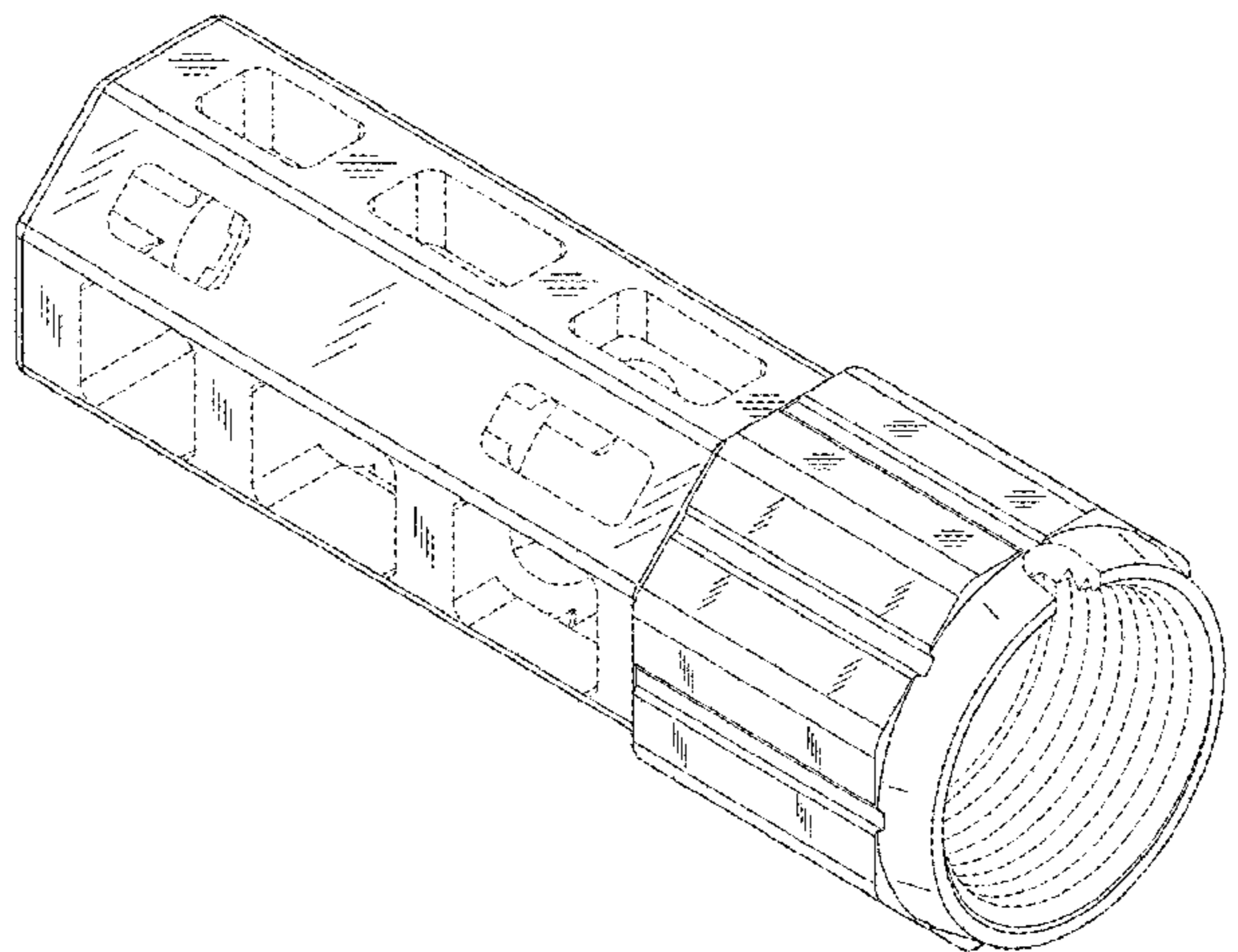


FIG. 8 is a perspective view of the firearm muzzle brake of a second embodiment. The surface(s) or portion(s) of the article shown in broken lines being for illustrative purposes only and forming no part of the claimed design.

1 Claim, 8 Drawing Sheets

(56)

References Cited

U.S. PATENT DOCUMENTS

2,770,904 A * 11/1956 Weiss C07C 209/48
42/105
3,187,633 A * 6/1965 Tanabe F41A 21/36
89/14.3
4,574,682 A * 3/1986 Hillman F41F 1/10
89/12
D641,450 S * 7/2011 Ding D22/108
D694,355 S * 11/2013 Hormann D22/108
D711,491 S * 8/2014 Nierenberg D22/108
D763,395 S * 8/2016 Joplin D22/108
D767,418 S * 9/2016 Pateel D10/52
D770,590 S * 11/2016 Sui D22/108

D771,216 S * 11/2016 Dubois D22/108
D779,019 S * 2/2017 Arnedo Vera D22/108
D783,762 S * 4/2017 Larson, Jr. D22/108
D787,621 S * 5/2017 Larson, Jr. D22/108
D788,873 S * 6/2017 Wiley D22/108
2003/0106417 A1* 6/2003 Vais F41A 21/36
89/14.3
2009/0038198 A1* 2/2009 Yu F41G 11/003
42/90
2010/0294118 A1* 11/2010 Hortobagyi F41A 21/34
89/14.2
2011/0271575 A1* 11/2011 Overbeek Bloem . F41A 21/325
42/90
2016/0010946 A1* 1/2016 Gibbens F41G 11/003
42/71.01
2016/0216061 A1* 7/2016 Cheng F41C 27/00
2016/0273862 A1* 9/2016 Schwartzkopf F41A 21/36

OTHER PUBLICATIONS

VAMAR556 AR15 M4 Muzzle Brake with Crush Washer, no date available, [online], [site visited Dec. 1, 2016]. Retrieved from <url:http://www.ncstar.com/product/product-detail.aspx?ModelNo=VAMAR556&GroupNo=0>.*

* cited by examiner

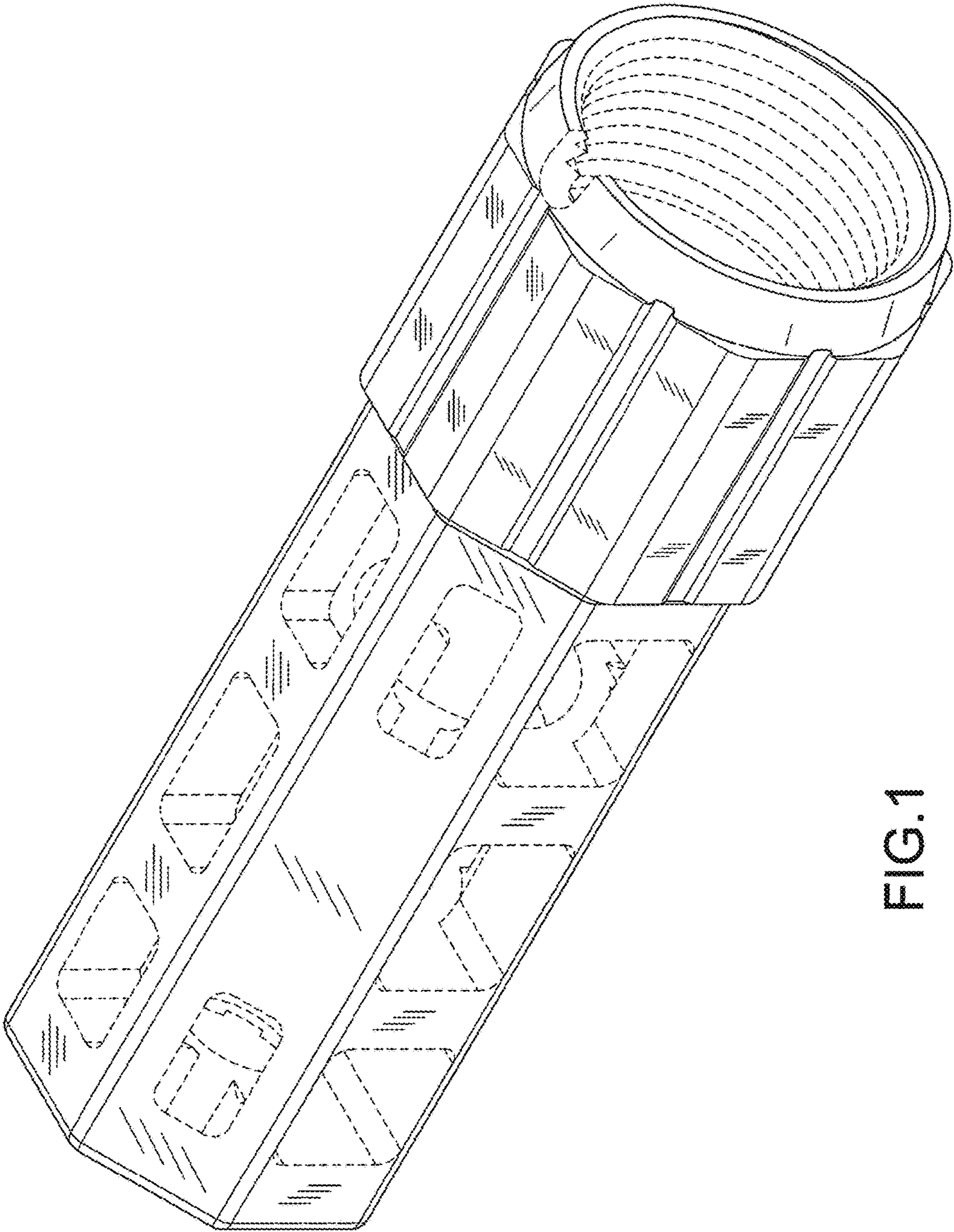


FIG.1

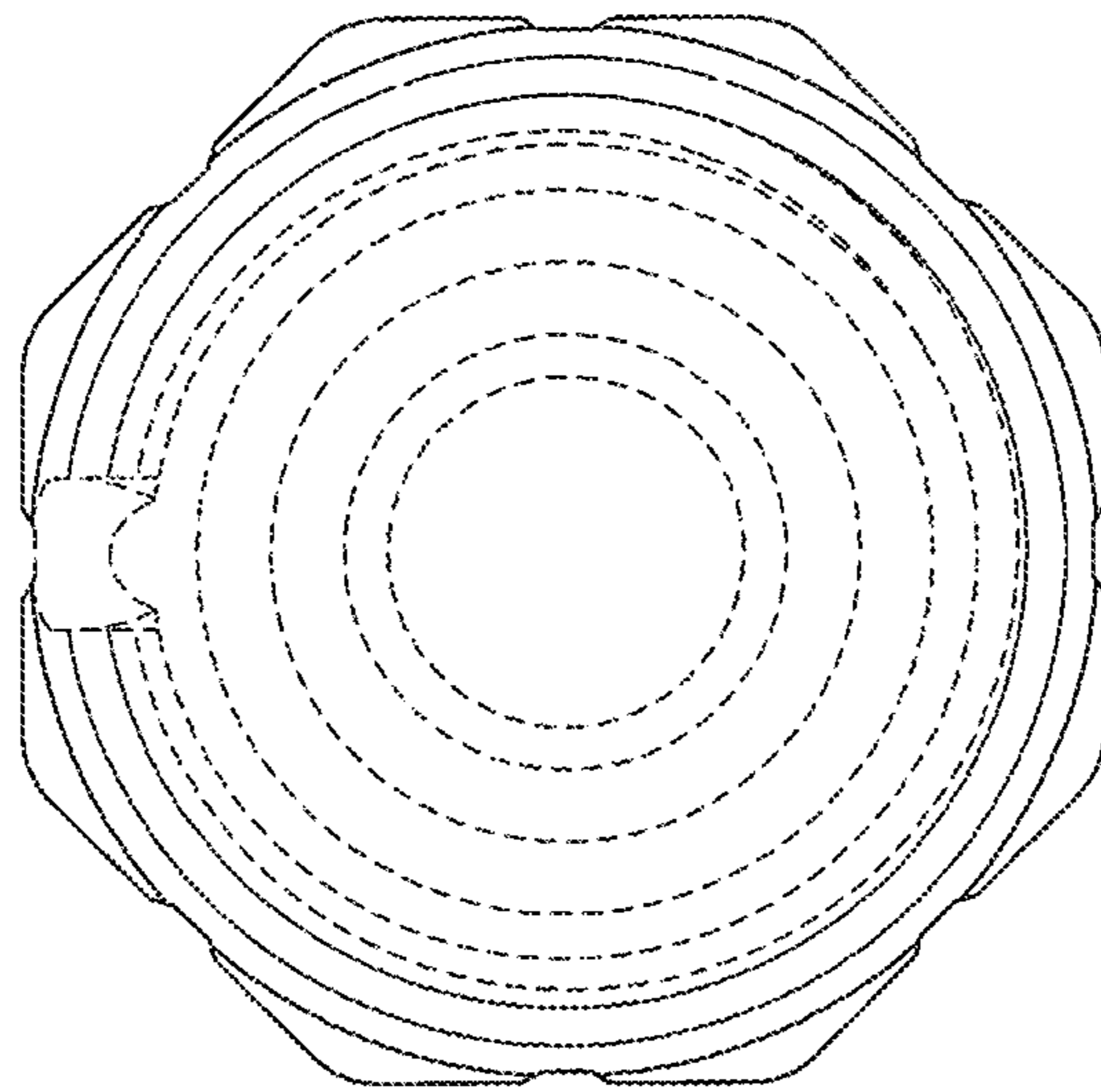


FIG.2

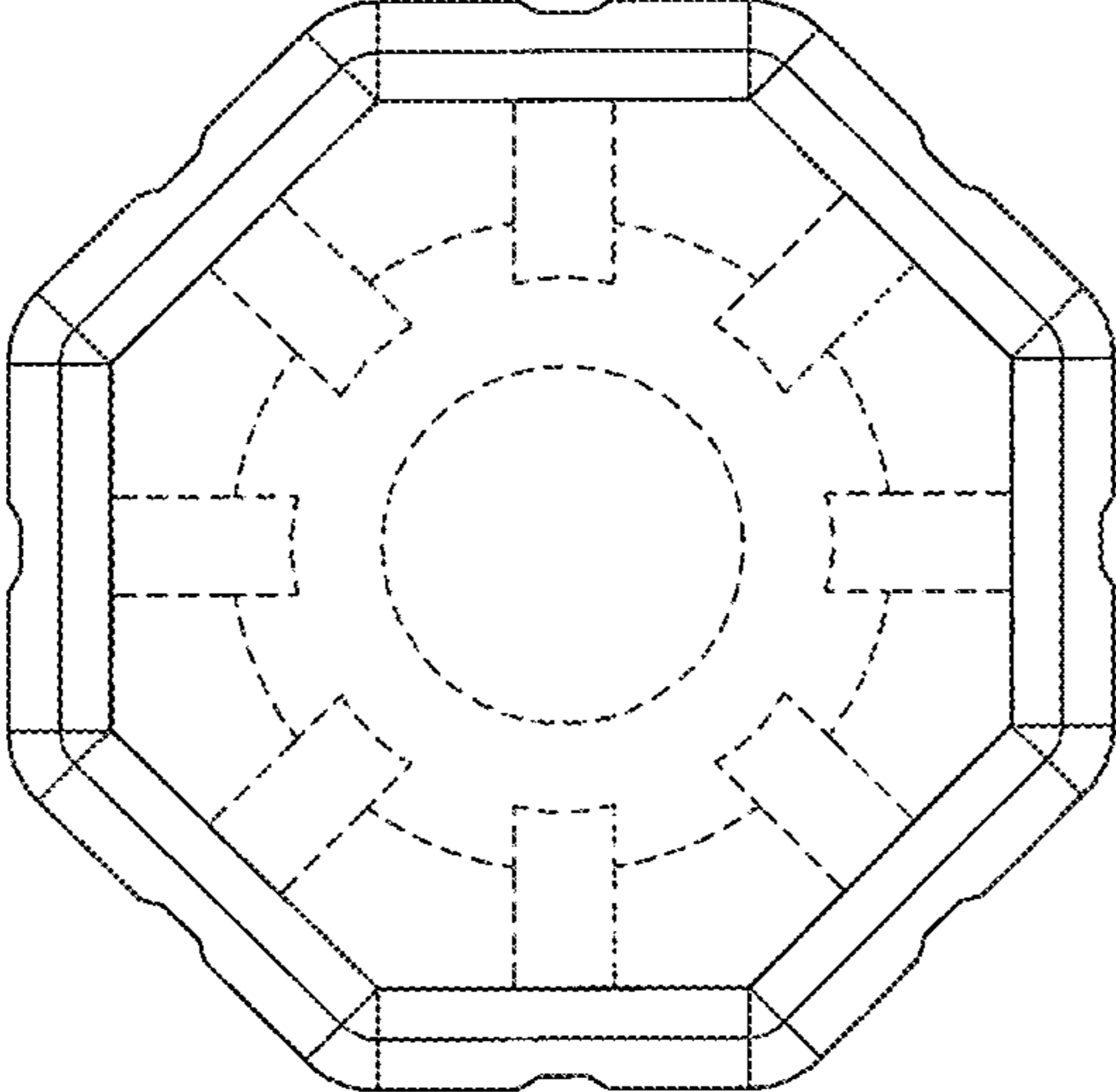


FIG. 3

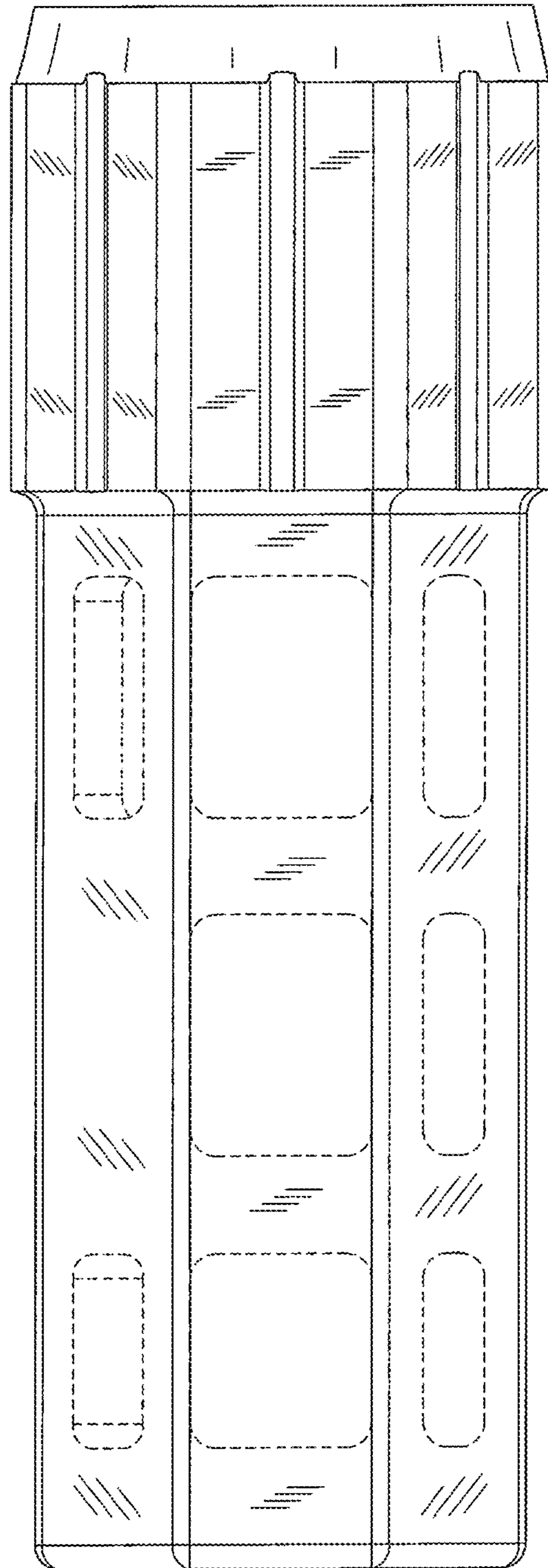


FIG.4

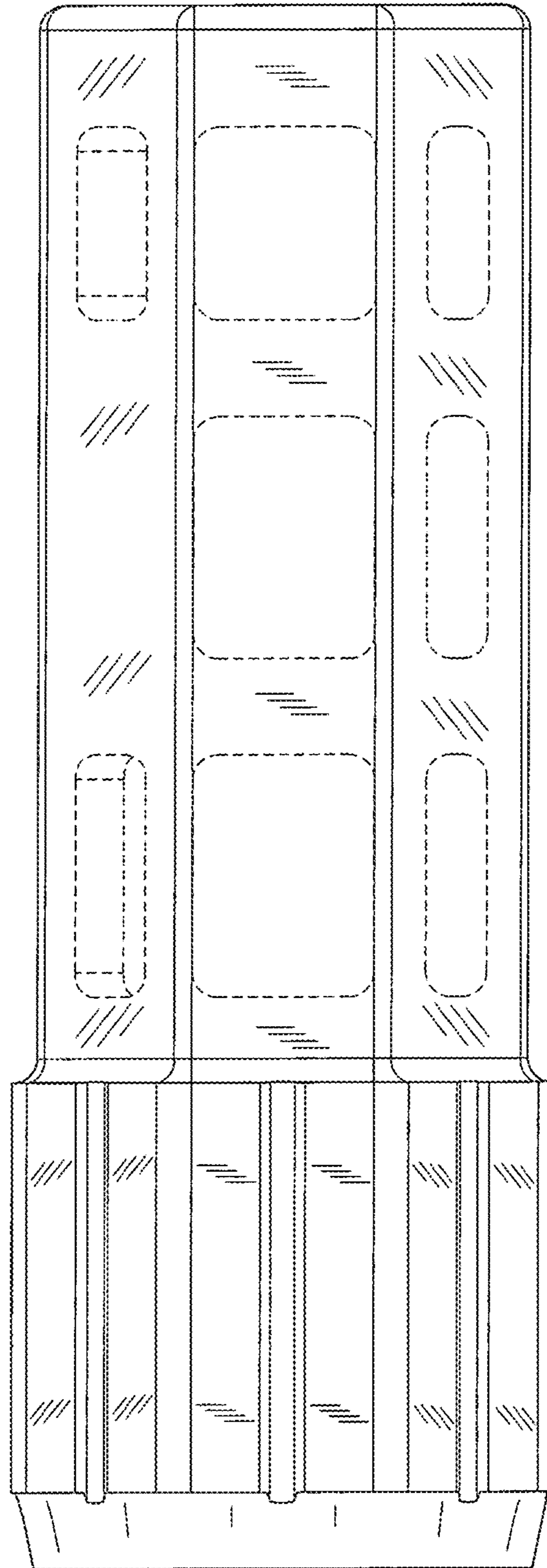


FIG.5

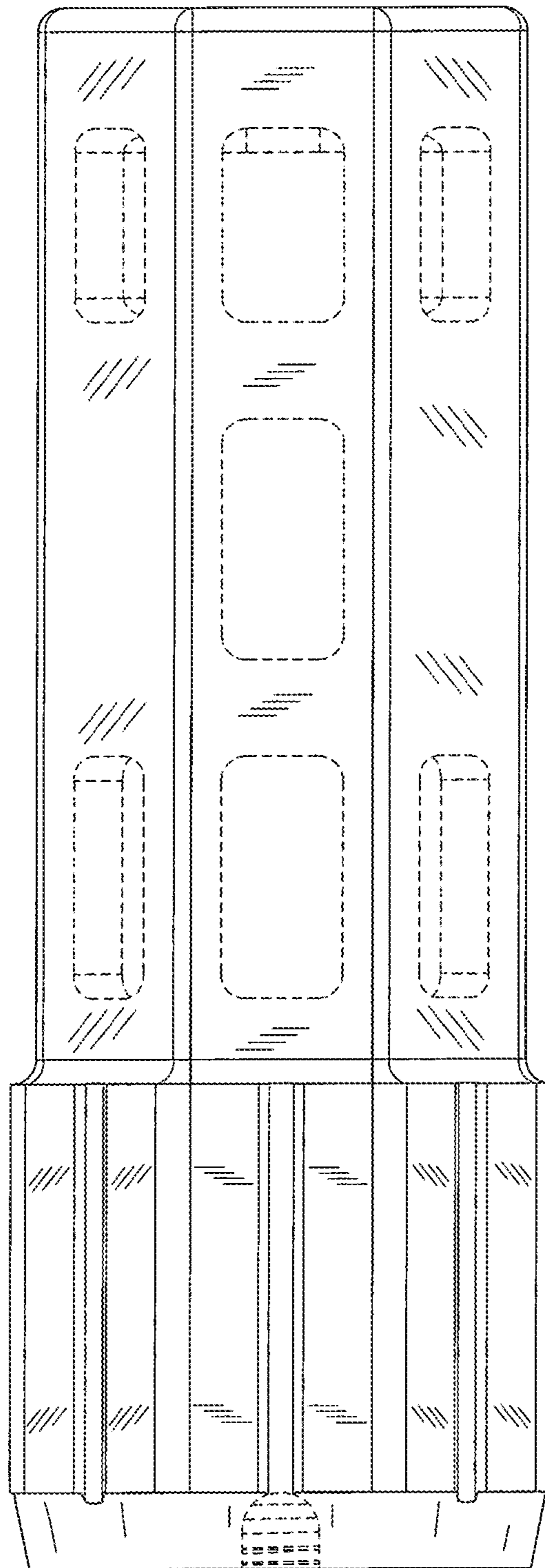


FIG.6

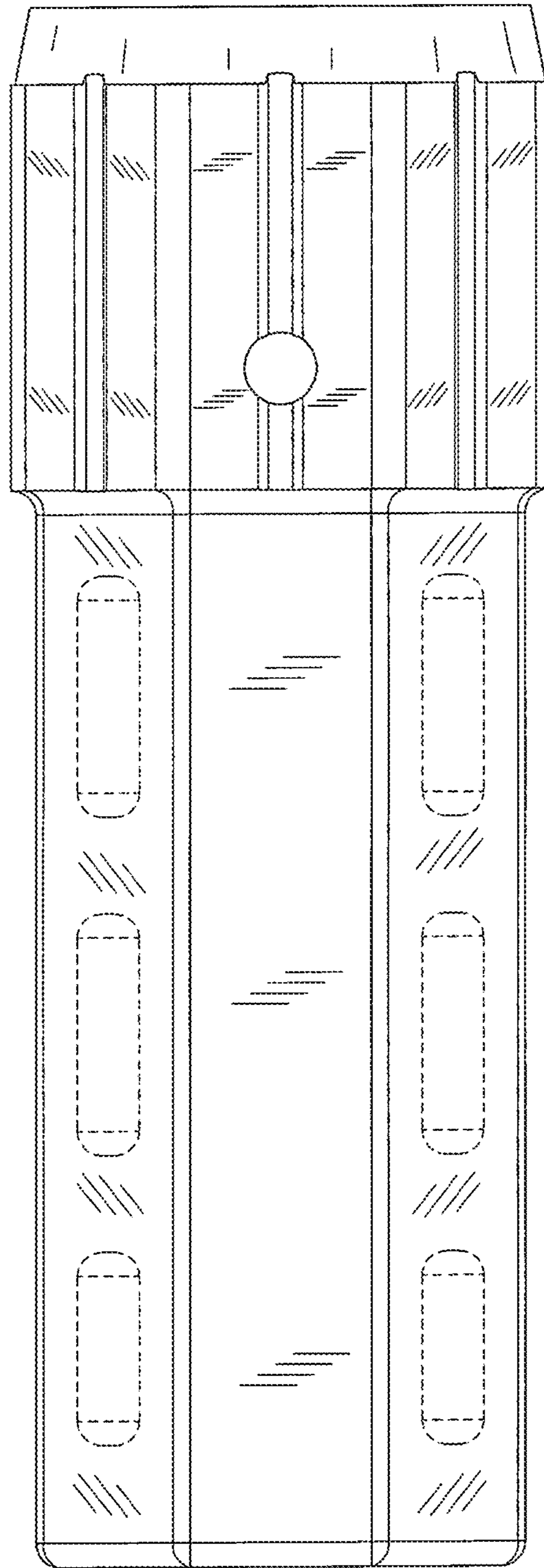


FIG.7

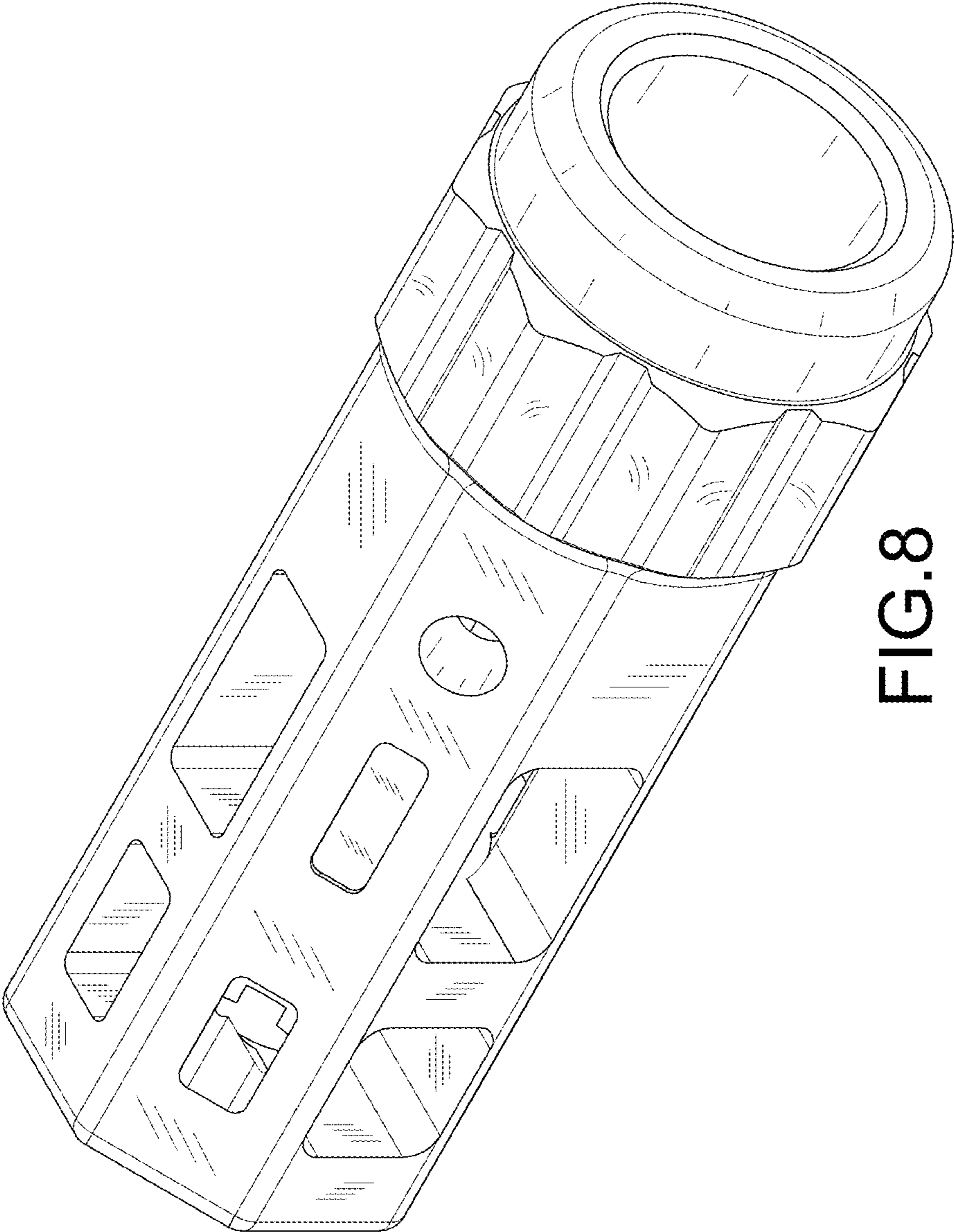


FIG. 8