



US00D807460S

(12) **United States Design Patent**  
**Rademacher et al.**

(10) **Patent No.:** **US D807,460 S**  
(45) **Date of Patent:** **\*\* Jan. 9, 2018**

(54) **ELEMENT FOR A FLOATING WATERPARK**

(71) Applicant: **Wibit Sports GmbH**, Bocholt (DE)

(72) Inventors: **Romann Rademacher**, Bocholt (DE);  
**Robert Cirjak**, Bocholt (DE)

(73) Assignee: **WIBIT SPORTS GMBH**, Bocholt  
(DE)

(\*\*) Term: **15 Years**

(21) Appl. No.: **29/552,393**

(22) Filed: **Jan. 21, 2016**

(30) **Foreign Application Priority Data**

Jul. 21, 2015 (EM) ..... 002740175-0007  
Jul. 21, 2015 (EM) ..... 002740175-0008

(51) **LOC (11) Cl.** ..... **21-03**

(52) **U.S. Cl.**  
USPC ..... **D21/814**

(58) **Field of Classification Search**  
USPC ..... D21/698, 801-810, 814, 815, 826, 818,  
D21/819, 811, 502, 491; D6/604;  
D12/5, 316, 317; D25/126, 127, 132  
CPC ..... A63B 31/00; A63B 2225/60; A63B  
2225/605; A63B 2225/62; B63B 35/73;  
B63B 35/58; B63B 35/7913; B63B 7/00;  
B63B 7/04; B63B 7/06; B63B 7/08;  
A63H 33/04; A63H 33/062; A63H 33/086  
See application file for complete search history.

(56) **References Cited**

**U.S. PATENT DOCUMENTS**

999,466 A \* 8/1911 Richter ..... A63H 33/04  
14/77.1  
1,179,533 A \* 4/1916 Lachman ..... E04H 12/10  
52/651.02  
D88,513 S \* 12/1932 Farnam ..... D25/127  
D105,315 S \* 7/1937 Lindsay ..... D21/805  
3,036,676 A \* 5/1962 Helmut ..... B21F 27/20  
52/649.2

3,103,262 A \* 9/1963 Handley ..... E04C 3/09  
52/650.1  
3,170,198 A \* 2/1965 Snider ..... E04C 3/14  
52/642  
4,154,188 A \* 5/1979 Flagg ..... B63B 1/047  
280/206

(Continued)

**FOREIGN PATENT DOCUMENTS**

FR 2591555 A1 \* 6/1987 ..... B63B 7/08

**OTHER PUBLICATIONS**

The Architects Newspaper: Alternative Whitney Proposal Designed to Attract Attention, posted Sep. 20, 2010, [online], [site visited on May 10, 2017]. Available from Internet, <URL: https://archpaper.com/2010/09/alternative-whitney-proposal-designed-to-attract-attention/>.\*

*Primary Examiner* — Sheryl Lane  
*Assistant Examiner* — Samantha N Wood  
(74) *Attorney, Agent, or Firm* — Arent Fox LLP

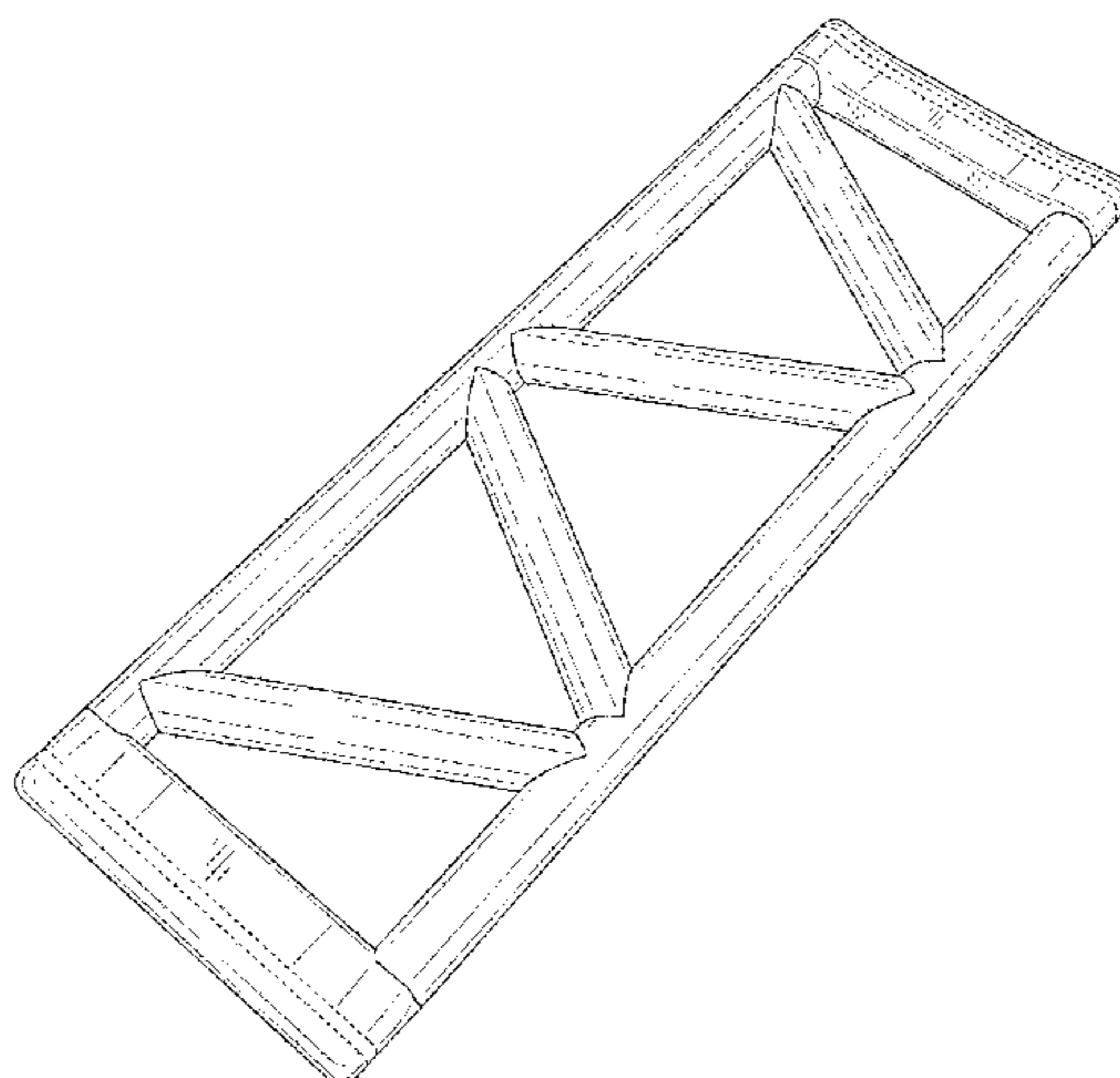
(57) **CLAIM**

The ornamental design for a element for a floating waterpark, as shown and described.

**DESCRIPTION**

FIG. 1 is perspective view of the element for a floating waterpark showing our new design;  
FIG. 2 is a top view of the design shown in FIG. 1;  
FIG. 3 is a bottom view of the design shown in FIG. 1;  
FIG. 4 is a left side view of the design shown in FIG. 1;  
FIG. 5 is a right side view of the design shown in FIG. 1;  
FIG. 6 is a front side view of the design shown in FIG. 1;  
and,  
FIG. 7 is a back side view of the design shown in FIG. 1.  
The broken lines in the figures show portions of the element for a floating waterpark that form no part of the claimed design.

**1 Claim, 7 Drawing Sheets**



(56)

**References Cited**

U.S. PATENT DOCUMENTS

4,270,303	A *	6/1981	Xanthopoulos .....	A63H 33/086 446/110
D402,042	S *	12/1998	Fisher .....	D25/132
D422,035	S *	3/2000	Cyrus .....	D21/491
D600,756	S *	9/2009	Fleming .....	D21/502
D608,406	S *	1/2010	Cobb, II .....	D21/835
D616,506	S *	5/2010	Kossmann .....	D21/501
D618,737	S *	6/2010	Andersen .....	D21/501
2012/0164899	A1 *	6/2012	Pope .....	B63B 35/73 441/129

\* cited by examiner

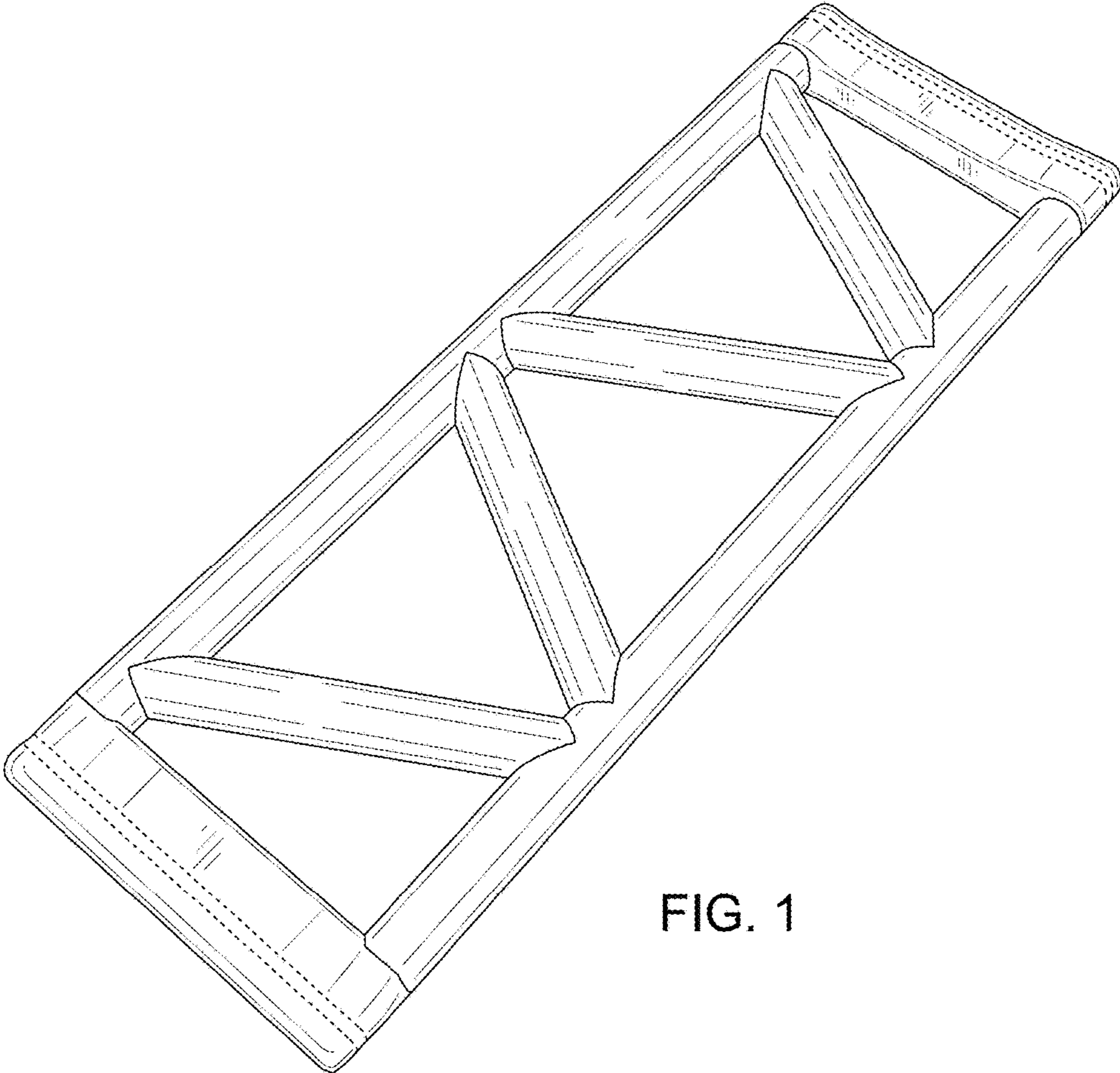


FIG. 1

FIG. 2

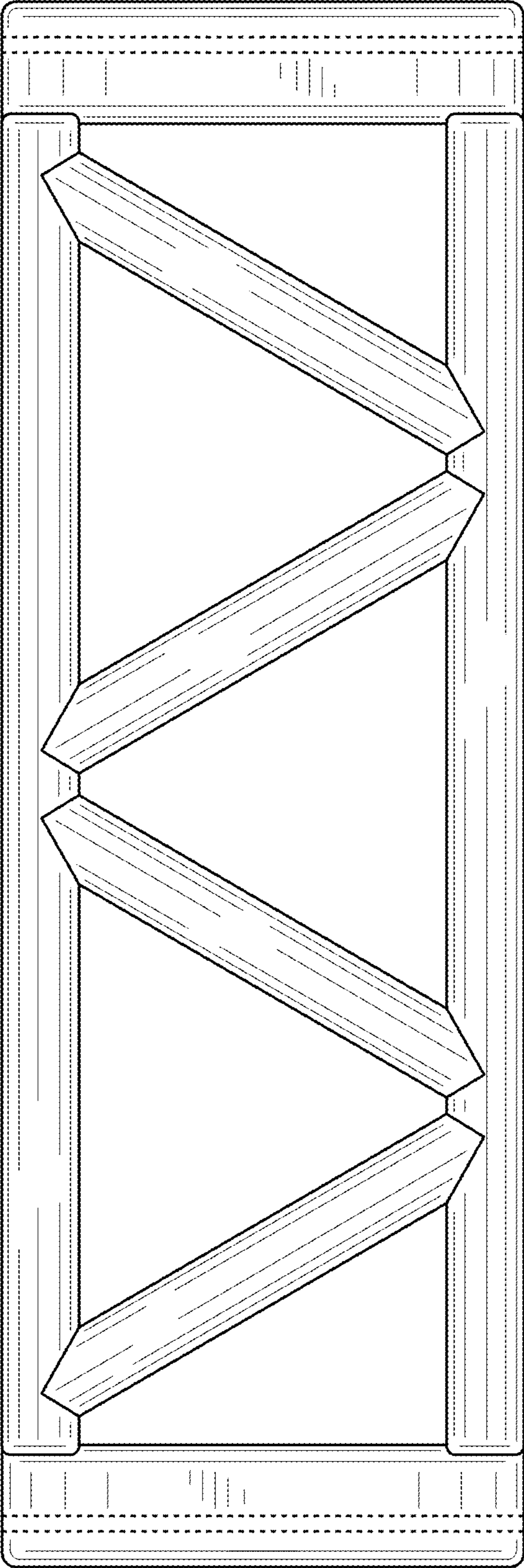


FIG. 3

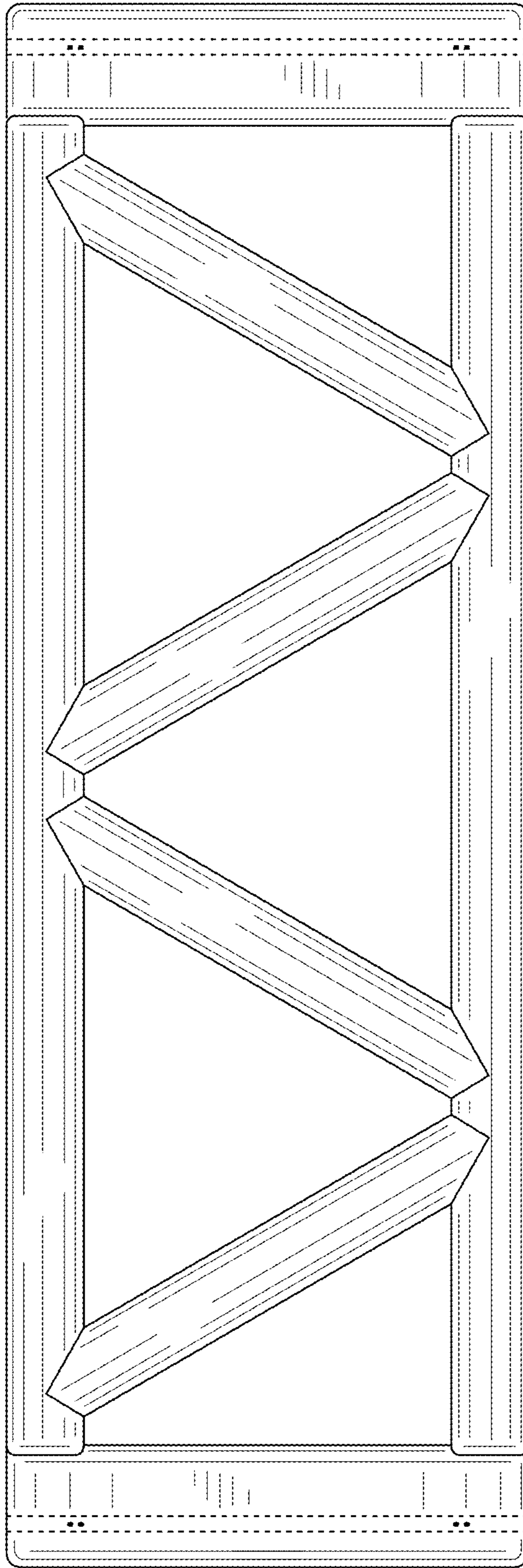


FIG. 4

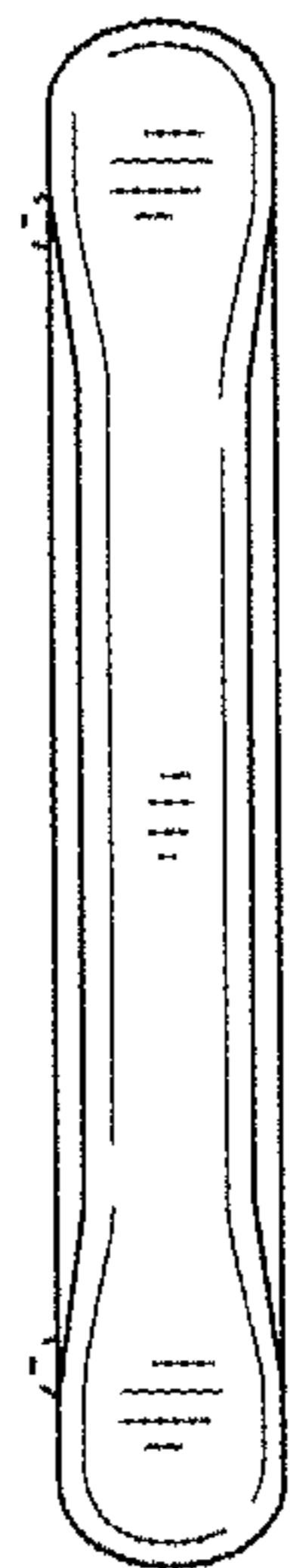


FIG. 5

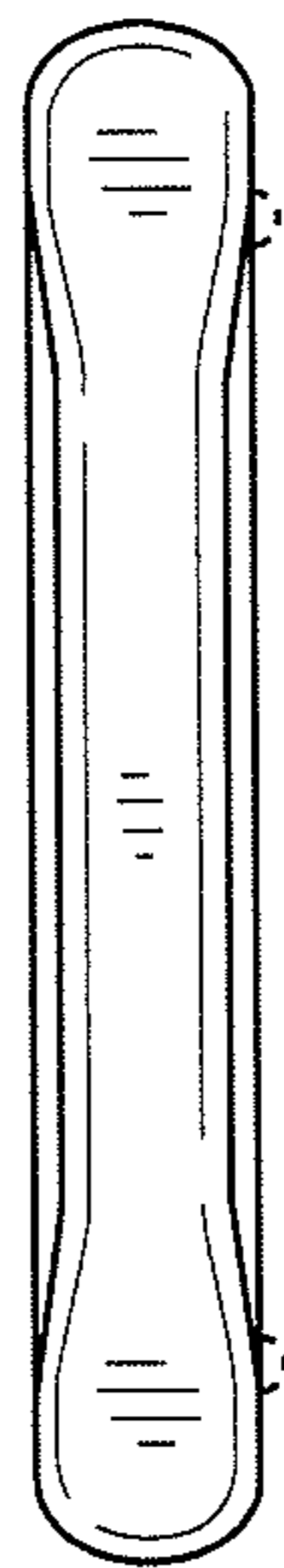


FIG. 6

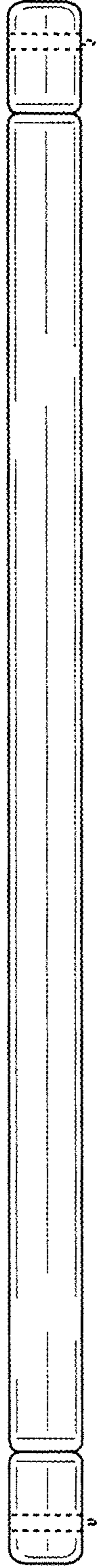




FIG. 7

