



US00D807453S

(12) **United States Design Patent**
Serrano et al.

(10) **Patent No.:** **US D807,453 S**
(45) **Date of Patent:** **** Jan. 9, 2018**

(54) **GOLF CLUB HEAD**

FOREIGN PATENT DOCUMENTS

(71) Applicant: **KARSTEN MANUFACTURING CORPORATION**, Phoenix, AZ (US)

JP 1292273 S 1/2007
JP 1359344 S 5/2009
JP 1378063 S 1/2010

(72) Inventors: **Anthony Serrano**, Anthem, AZ (US);
Xiaojian Chen, Phoenix, AZ (US);
Calvin Wang, Chandler, AZ (US);
David Higdon, Phoenix, AZ (US)

OTHER PUBLICATIONS

Callaway Golf Company Web Site, Link: http://www.odysseygolf.jp/putter/odyssey_works_versa_limitedcolor/brb_7.html.

(Continued)

(73) Assignee: **Karsten Manufacturing Corporation**, Phoenix, AZ (US)

Primary Examiner — Mitchell Siegel

(**) Term: **15 Years**

(57) **CLAIM**

The ornamental design for a golf club head, as shown and described.

(21) Appl. No.: **29/567,353**

DESCRIPTION

(22) Filed: **Jun. 8, 2016**

(51) **LOC (11) Cl.** **21-02**

(52) **U.S. Cl.**
USPC **D21/743**

(58) **Field of Classification Search**
USPC D21/736-746, 759
CPC ... A63B 53/00; A63B 53/065; A63B 53/0487;
A63B 53/007; A63B 53/04
See application file for complete search history.

FIG. 1 is a top front perspective view of a golf club head; FIG. 2 is a top rear perspective view of the golf club head of FIG. 1; FIG. 3 is a front view of the golf club head of FIG. 1; FIG. 4 is a rear view of the golf club head of FIG. 1; FIG. 5 is a top view of the golf club head of FIG. 1; FIG. 6 is a bottom view of the golf club head of FIG. 1; FIG. 7 is a toe view of the golf club head of FIG. 1; FIG. 8 is a heel view of the golf club head of FIG. 1; FIG. 9 is a top front perspective view of a second embodiment of a golf club head; FIG. 10 is a top rear perspective view of the golf club head of FIG. 9; FIG. 11 is a front view of the golf club head of FIG. 9; FIG. 12 is a rear view of the golf club head of FIG. 9; FIG. 13 is a top view of the golf club head of FIG. 9; FIG. 14 is a bottom view of the golf club head of FIG. 9; FIG. 15 is a toe view of the golf club head of FIG. 9; and, FIG. 16 is a heel view of the golf club head of FIG. 9. The broken lines shown in one or more of the figures are for illustrative purposes only and form no part of the claimed design.

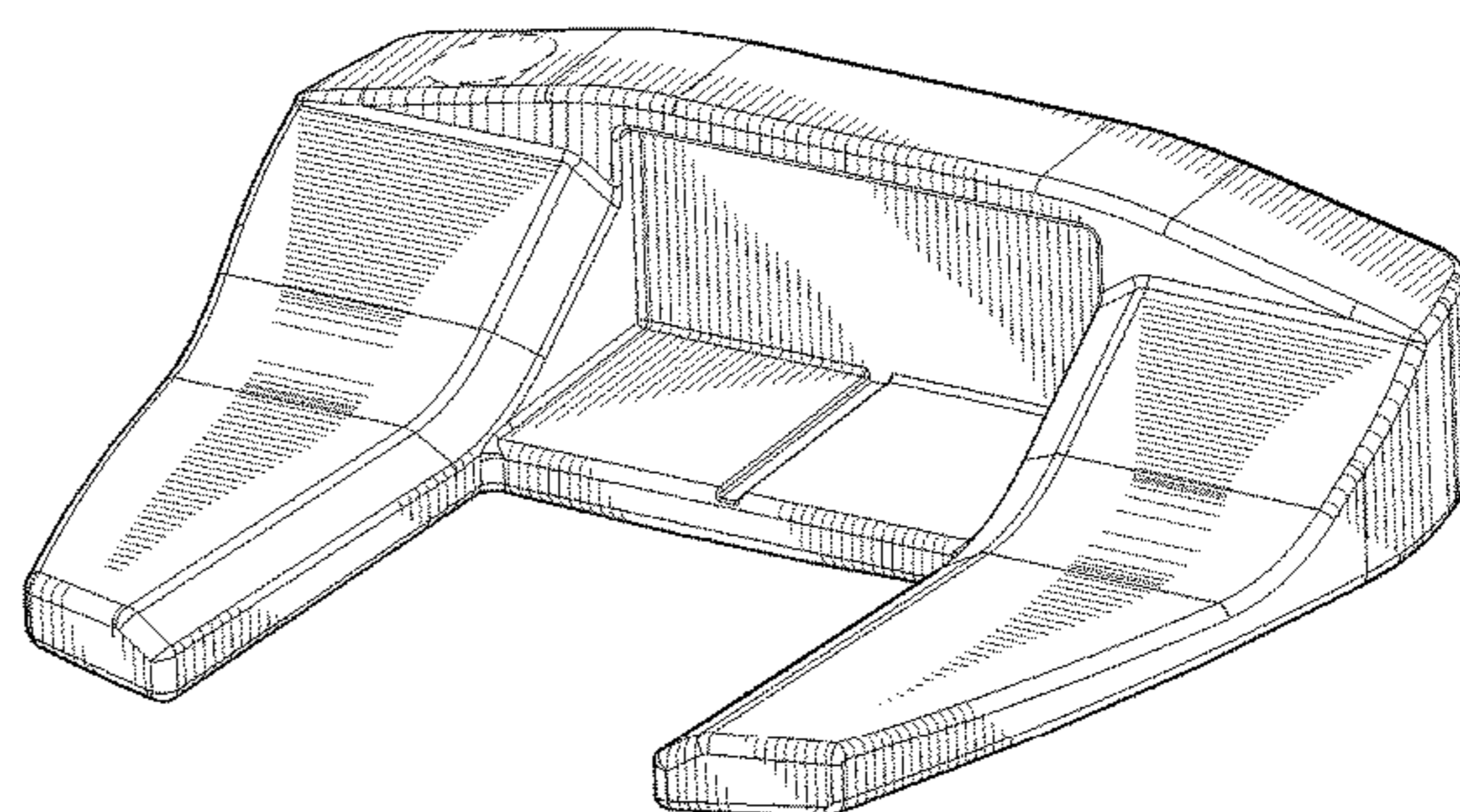
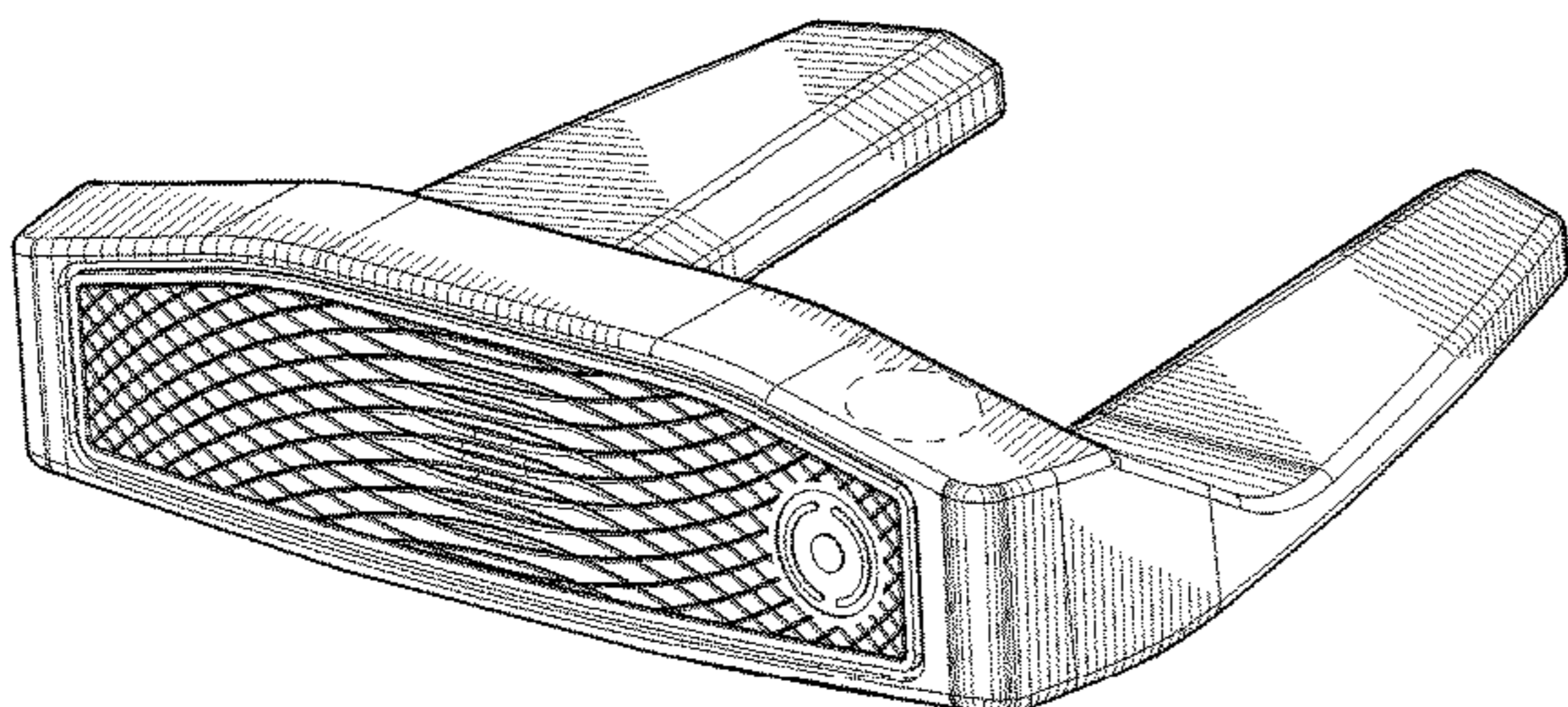
(56) **References Cited**

U.S. PATENT DOCUMENTS

1,897,264 A 2/1933 Lamb
1,901,562 A 3/1933 Main
2,014,829 A 9/1935 Young
2,486,952 A 11/1949 Kearsley et al.
3,042,405 A 7/1962 Solheim
D235,668 S 7/1975 Swash
3,954,265 A 5/1976 Taylor
4,222,566 A 9/1980 Berry
4,390,184 A 6/1983 Rudell

(Continued)

1 Claim, 8 Drawing Sheets



(56)

References Cited

U.S. PATENT DOCUMENTS

4,695,054 A	9/1987	Tunstall	
4,714,252 A	12/1987	Roraback	
4,722,528 A	2/1988	Tsao	
4,741,535 A	5/1988	Leonhardt	
4,834,387 A	5/1989	Waites et al.	
D323,867 S *	2/1992	Rizzotto	D21/740
D324,555 S	3/1992	Evans	
D333,331 S	2/1993	Evans	
5,211,401 A	5/1993	Hailey	
D342,112 S	12/1993	Diesterheft	
5,320,346 A	6/1994	Phillips	
5,320,353 A	6/1994	Moore	
5,324,031 A	6/1994	Green	
D350,177 S *	8/1994	Ramirez	D21/745
D356,846 S	3/1995	Murrill	
5,482,281 A	1/1996	Anderson	
5,580,058 A	12/1996	Coughlin	
5,716,290 A	2/1998	Baker et al.	
5,820,481 A	10/1998	Raudman	
D449,085 S	10/2001	Breier et al.	
6,402,638 B1	6/2002	Kelley	
D477,041 S	7/2003	Cameron	
6,634,956 B1	10/2003	Pegg	
6,663,497 B2	12/2003	Cameron	
D488,200 S	4/2004	Olsavsky et al.	
D494,237 S	8/2004	Ware	
D499,778 S	12/2004	Cameron	
D500,109 S	12/2004	Solheim et al.	
D500,110 S	12/2004	Solheim et al.	
D500,539 S	1/2005	Holloway	
D502,234 S	2/2005	Grace	
D502,748 S	3/2005	Burrows	
D505,702 S	5/2005	Wood	
D506,796 S	6/2005	Li	
D507,613 S	7/2005	Baiocchi	
D508,273 S	8/2005	Garner et al.	
D510,394 S	10/2005	Tang et al.	
6,960,140 B2	11/2005	Solheim et al.	
6,966,845 B2	11/2005	Solheim et al.	
D513,050 S	12/2005	Grimaldo	
D514,182 S	1/2006	Olsavsky et al.	
D515,646 S	2/2006	Perry	
7,004,849 B2	2/2006	Cameron	
D517,143 S	3/2006	Petsel	
D518,127 S	3/2006	Tang et al.	
D520,583 S	5/2006	Rollinson et al.	
D521,582 S	5/2006	Souza et al.	
7,052,411 B2	5/2006	Solheim et al.	
D522,598 S	6/2006	Solheim et al.	
7,077,758 B2	7/2006	Rohrer	
D527,777 S	9/2006	Solheim et al.	
D529,560 S	10/2006	Madore	
D532,842 S	11/2006	Jones et al.	
D532,843 S	11/2006	Jones et al.	
D532,845 S *	11/2006	Rollinson	D21/736
D532,846 S	11/2006	Lee et al.	
D533,243 S	12/2006	Fife et al.	
D533,609 S	12/2006	Moore	
7,147,569 B2	12/2006	Tang et al.	
D534,974 S	1/2007	Haack	
D536,400 S	2/2007	DiBattista	
D537,135 S	2/2007	Rollinson et al.	
D539,860 S	4/2007	Fussell	
D542,873 S	5/2007	Oldknow	
D545,385 S	6/2007	Tang et al.	
D548,295 S	8/2007	Jertson et al.	
7,255,650 B2	8/2007	Braynt et al.	
D552,197 S	10/2007	Wells et al.	
D557,361 S	12/2007	Rollinson	
7,326,121 B2	2/2008	Roake	
D564,606 S	3/2008	Oldknow et al.	
D564,607 S *	3/2008	Oldknow	D21/736
D565,138 S	3/2008	Wilson	
D568,954 S *	5/2008	Oldknow	D21/759
D569,461 S	5/2008	Morris	
D569,462 S	5/2008	Rollinson	
D571,877 S	6/2008	Jones et al.	
D571,879 S	6/2008	Jones et al.	
7,390,267 B2	6/2008	Grace	
D573,673 S *	7/2008	Noyes	D21/721
D574,907 S	8/2008	Jones et al.	
D574,908 S *	8/2008	Hettinger	D21/743
D575,366 S	8/2008	Rollinson	
D577,398 S	9/2008	Hilton	
D579,505 S	10/2008	Jones	
7,455,599 B2	11/2008	Jones	
D582,497 S *	12/2008	Rollinson	D21/744
D583,886 S	12/2008	Cameron	
D585,510 S	1/2009	Murrieta	
7,481,713 B2	1/2009	Beckman	
D587,325 S	2/2009	Solheim et al.	
D589,575 S *	3/2009	Kim	D21/744
D590,035 S *	4/2009	Hilton	D21/744
D590,461 S *	4/2009	Kim	D21/743
D591,371 S	4/2009	Hilton	
D591,372 S	4/2009	Tang et al.	
D591,806 S	5/2009	Cameron	
D591,807 S *	5/2009	Rollinson	D21/744
D592,717 S	5/2009	Rollinson	
D594,073 S	6/2009	Kadoya	
D594,517 S	6/2009	Tang et al.	
D594,917 S *	6/2009	Stellander	D21/743
D595,372 S	6/2009	Rollinson	
D595,373 S *	6/2009	Kim	D21/744
D595,793 S	7/2009	Rollinson	
D596,685 S	7/2009	Wallans	
D599,423 S	9/2009	Serrano et al.	
D599,424 S	9/2009	Serrano et al.	
D599,425 S	9/2009	Laub	
D599,868 S	9/2009	Serrano et al.	
D599,869 S	9/2009	Serrano et al.	
D599,870 S	9/2009	Serrano et al.	
D600,298 S	9/2009	Serrano et al.	
D600,760 S	9/2009	Serrano et al.	
D600,761 S	9/2009	Solheim et al.	
D600,762 S	9/2009	Serrano et al.	
D601,214 S	9/2009	Serrano et al.	
D603,008 S	10/2009	Donahue	
7,601,076 B2	10/2009	Rollinson	
D604,787 S *	11/2009	Hopkins	D21/736
D606,139 S	12/2009	Ines et al.	
7,645,199 B2	1/2010	Cameron	
D621,458 S *	8/2010	Serrano	D21/736
D621,459 S	8/2010	Serrano et al.	
D621,460 S	8/2010	Serrano et al.	
D621,461 S	8/2010	Serrano et al.	
D621,462 S	8/2010	Serrano et al.	
D621,891 S	8/2010	Serrano et al.	
D623,709 S	9/2010	Serrano et al.	
D636,829 S *	4/2011	Cardani	D21/759
D657,836 S *	4/2012	Oldknow	D21/759
D658,245 S *	4/2012	Oldknow	D21/736
D670,774 S *	11/2012	Seiff	D21/736
D688,341 S *	8/2013	Rollinson	D21/746
D691,226 S *	10/2013	Hilton	D21/746
D699,308 S *	2/2014	Rollinson	D21/736
D701,274 S *	3/2014	Rollinson	D21/736
D720,821 S *	1/2015	Brandt	D21/736
D728,715 S *	5/2015	Cameron	D21/736
D730,464 S *	5/2015	Cameron	D21/743
D731,605 S *	6/2015	Rollinson	D21/736
D768,248 S *	10/2016	Rollinson	D21/744
D771,208 S *	11/2016	Bettinardi	D21/744
D773,573 S *	12/2016	Abbott	D21/744
D776,771 S *	1/2017	Peterson	D21/744
D777,270 S *	1/2017	Rollinson	D21/744
2003/0228925 A1	12/2003	Rohrer	
2007/0021229 A1	1/2007	Haack	
2007/0049402 A1	3/2007	Sanchez et al.	
2007/0298904 A1	12/2007	Dworzan	
2009/0029800 A1	1/2009	Jones et al.	
2009/0105008 A1	4/2009	Kuan et al.	
2009/0170629 A1	7/2009	Hilton	
2009/0270196 A1	10/2009	Solheim et al.	

(56)

References Cited

U.S. PATENT DOCUMENTS

2009/0270198 A1 10/2009 Solheim et al.
2009/0305806 A1 12/2009 Campadore et al.
2009/0305807 A1 12/2009 Solheim et al.

OTHER PUBLICATIONS

Callaway Golf Company Web Site, Link: http://shop.callawaygolf.com/Putters/White_Hot_XG/White_Hot_XG_7_Center-Shafted.html.

* cited by examiner

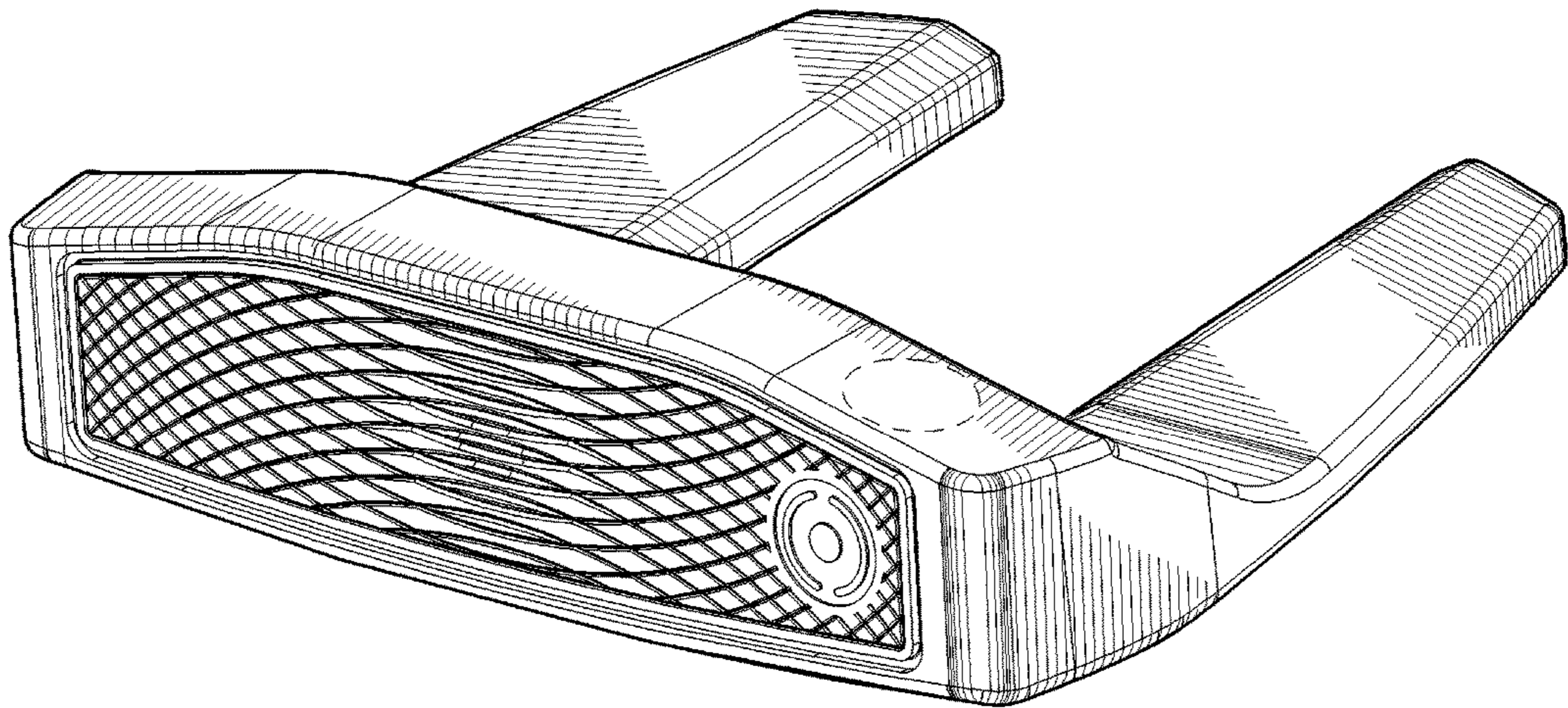


Fig. 1

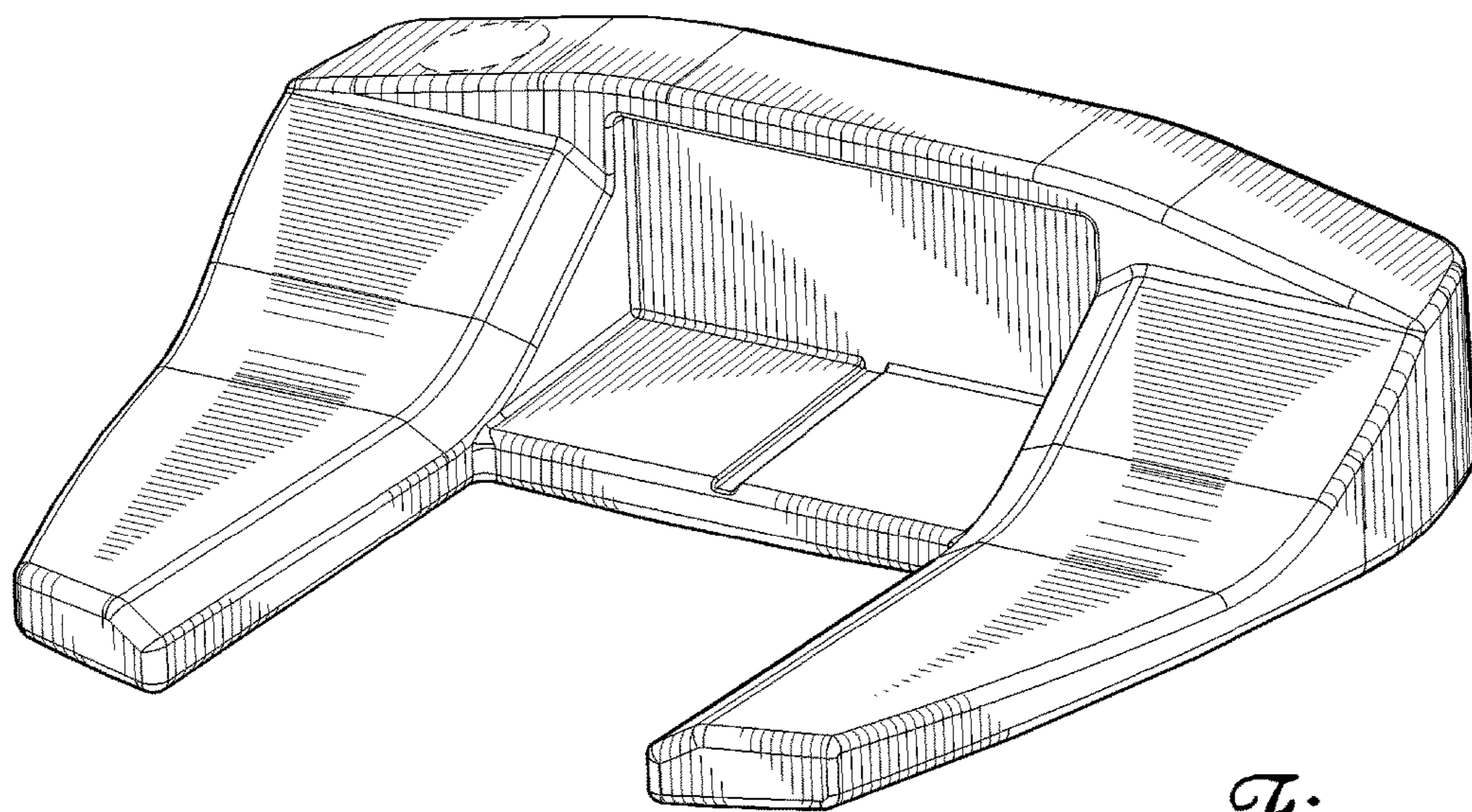


Fig. 2

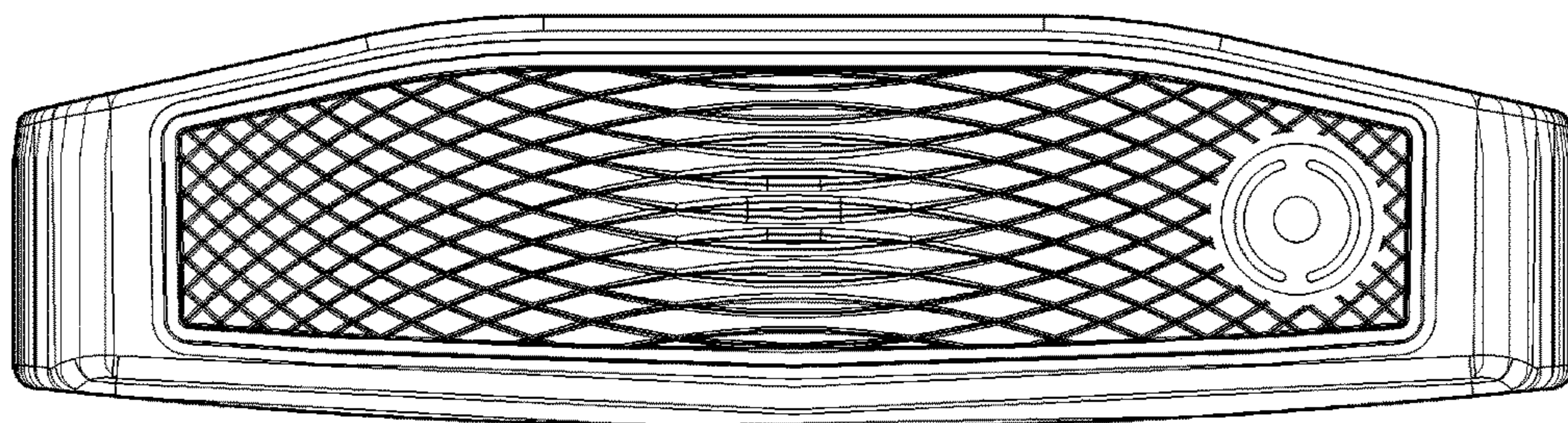


Fig. 3

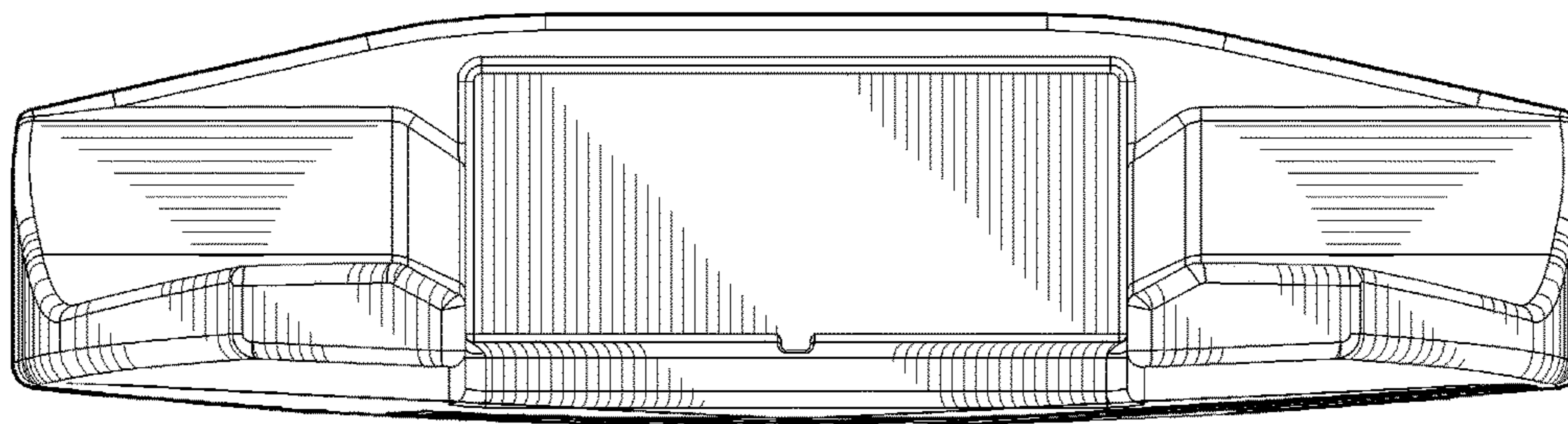


Fig. 4

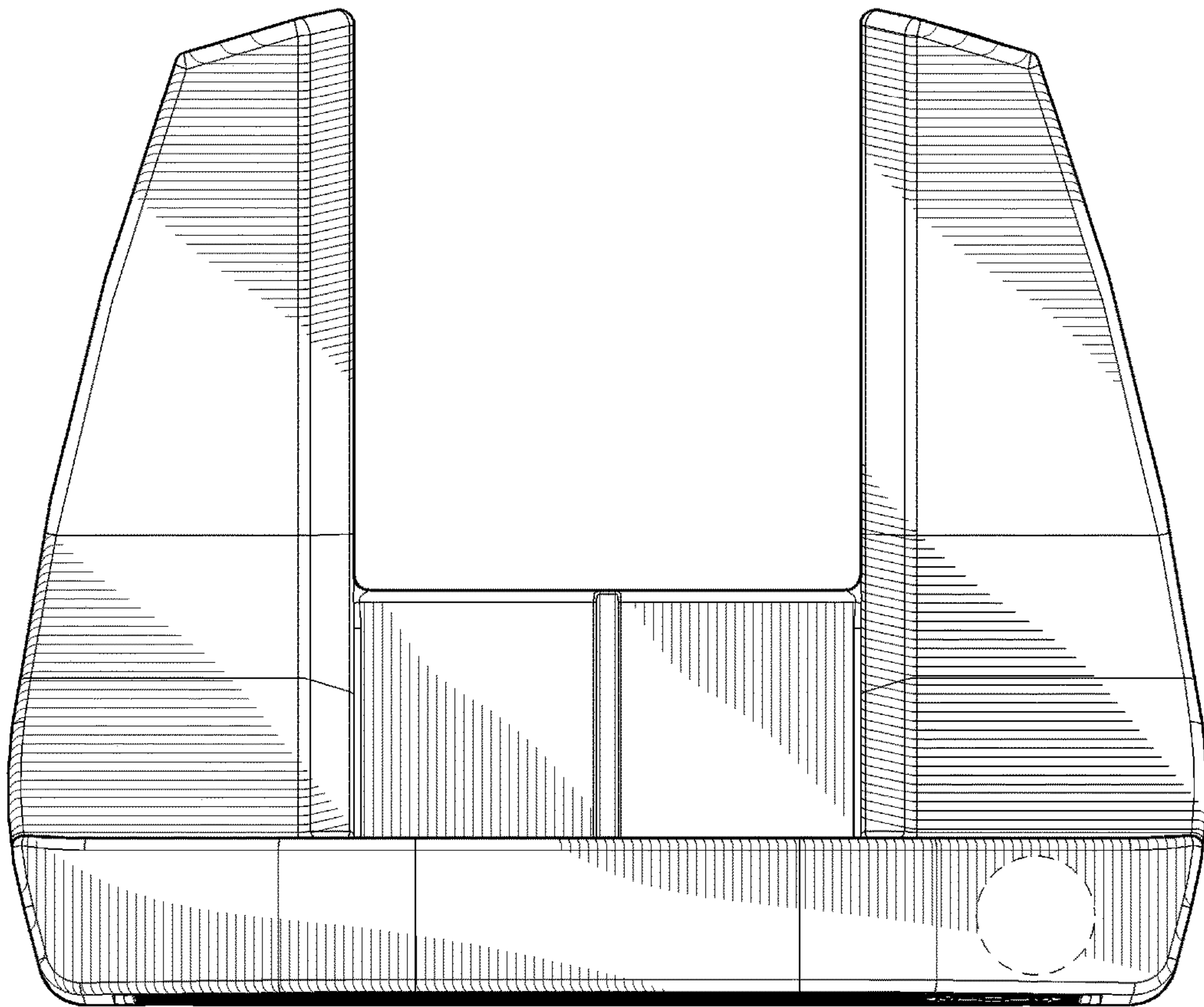


Fig. 5

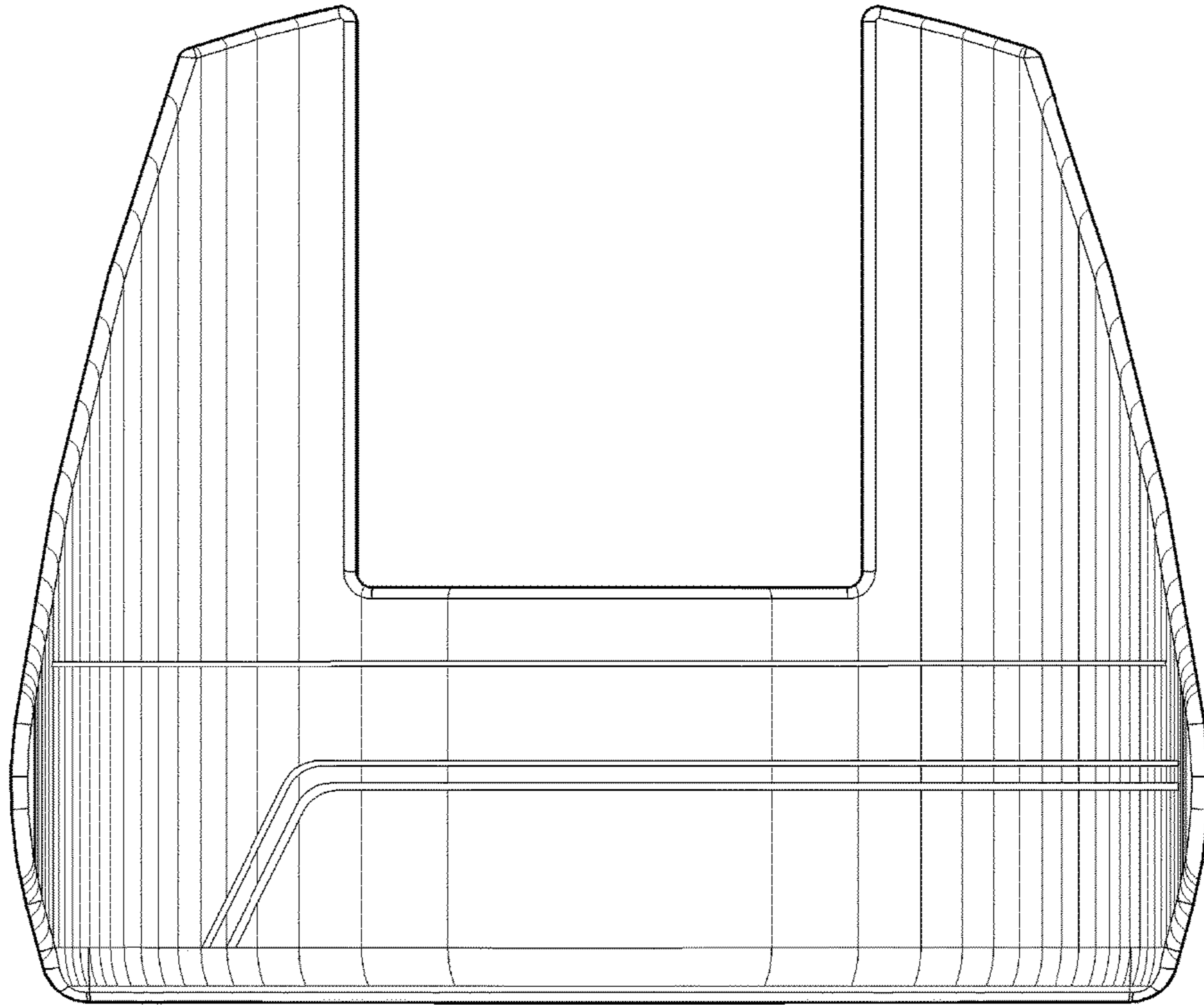


Fig. 6

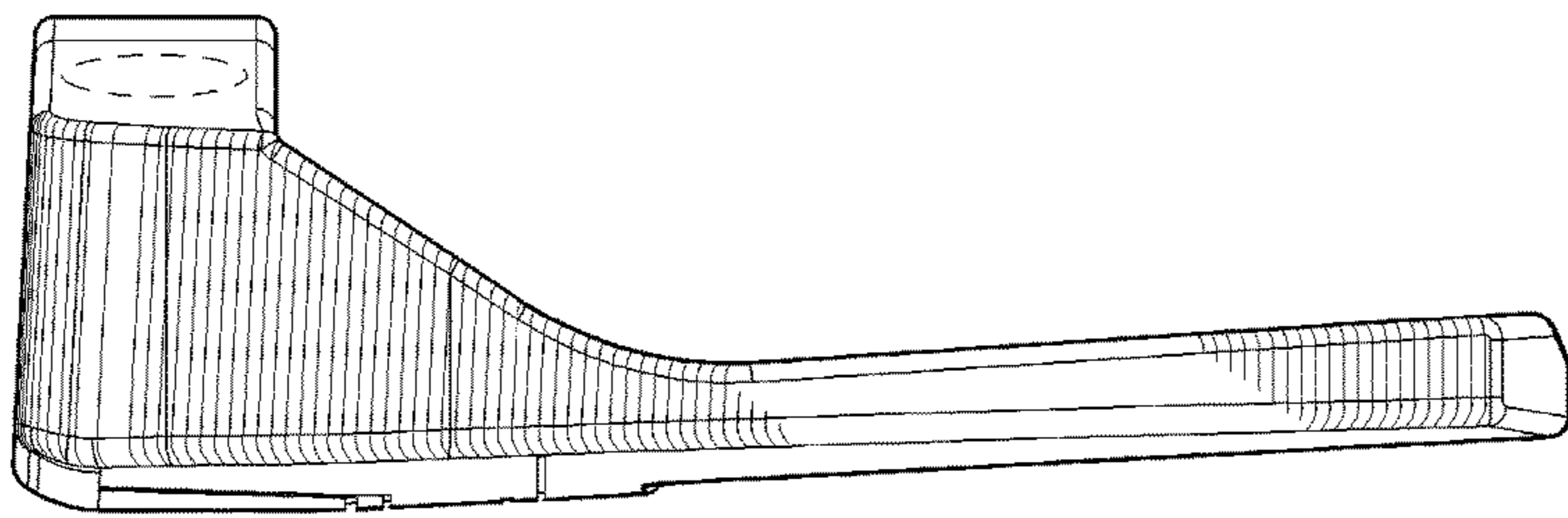
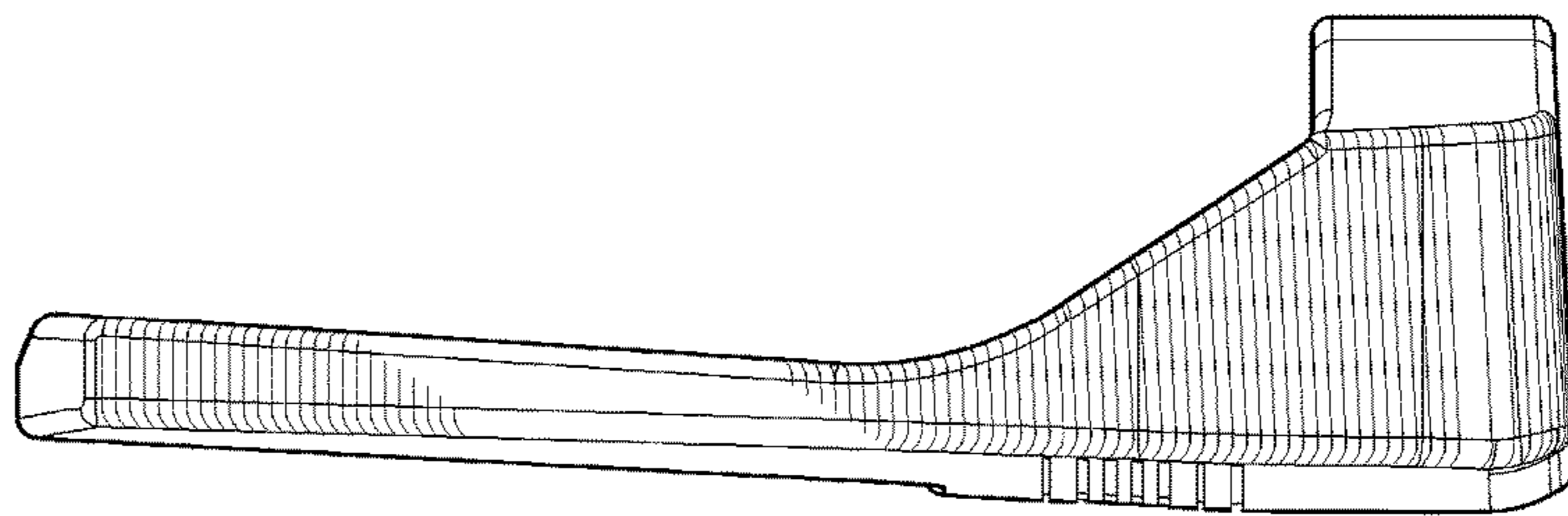


Fig. 7

Fig. 8



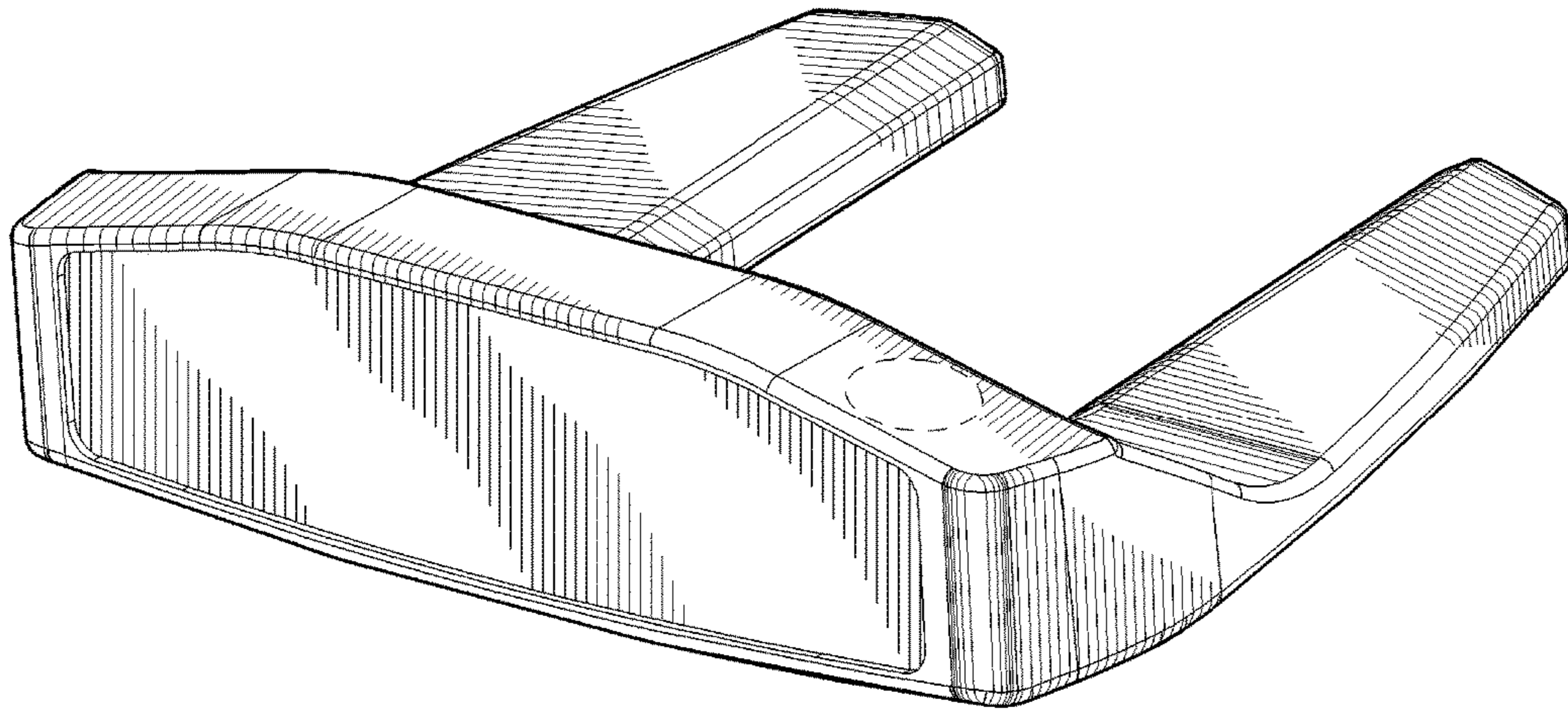


Fig. 9

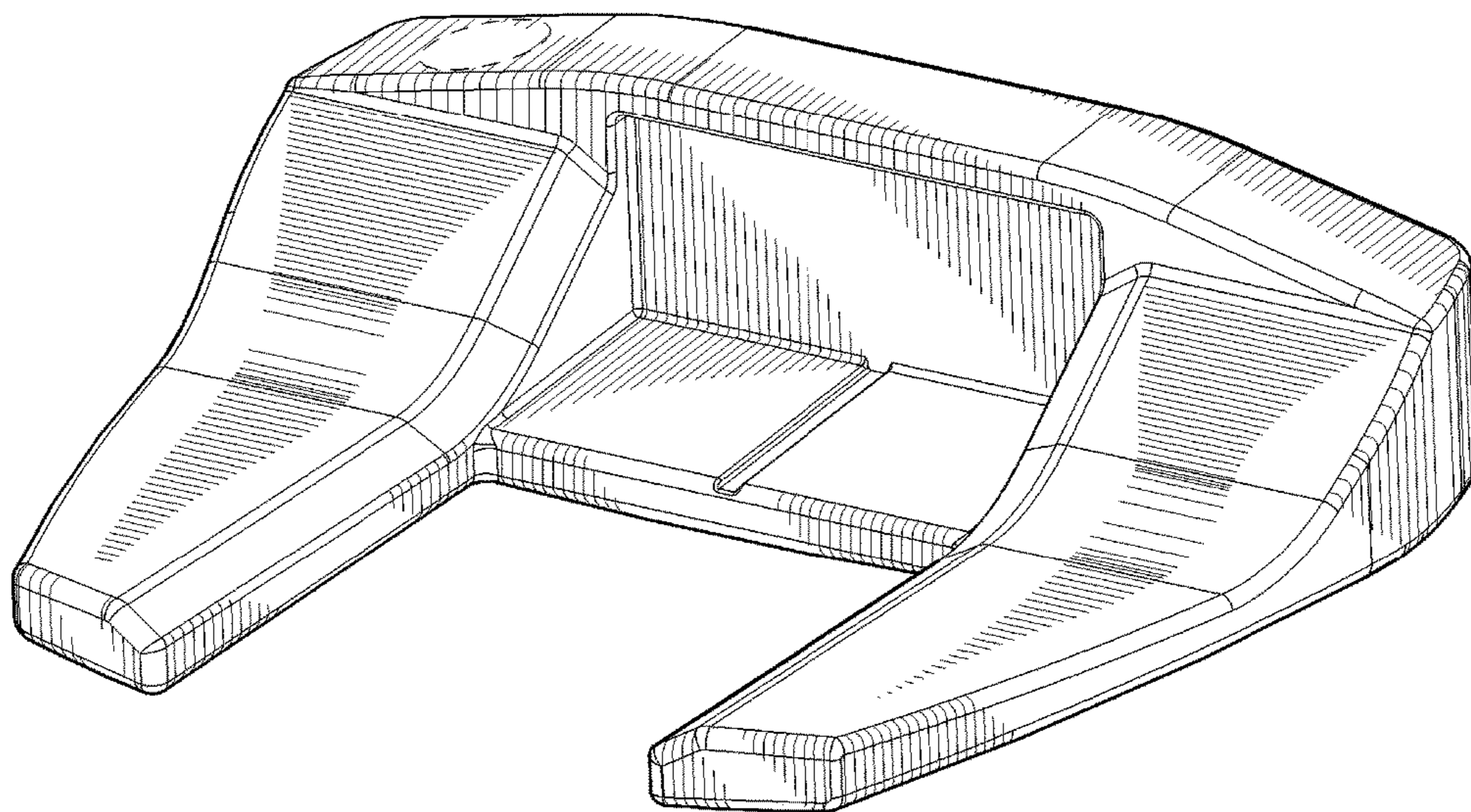


Fig. 10

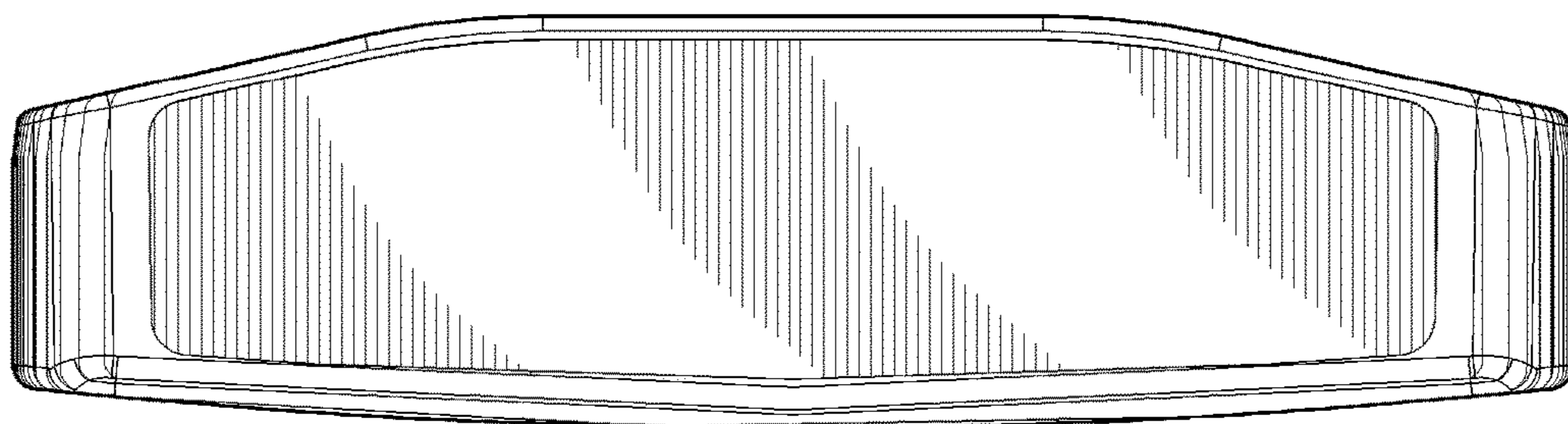


Fig. 11

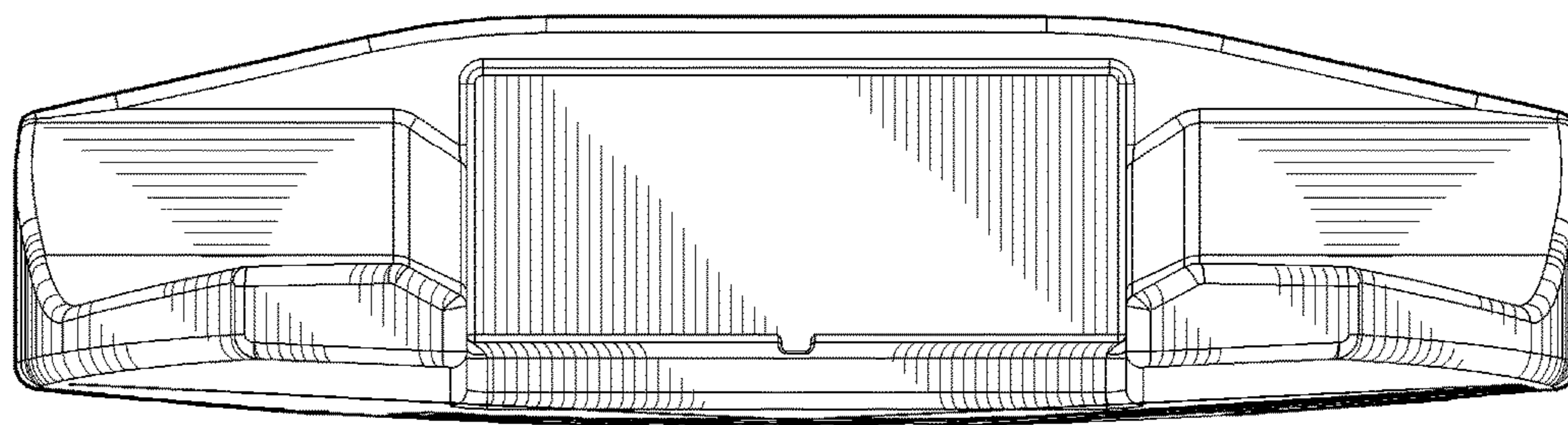


Fig. 12

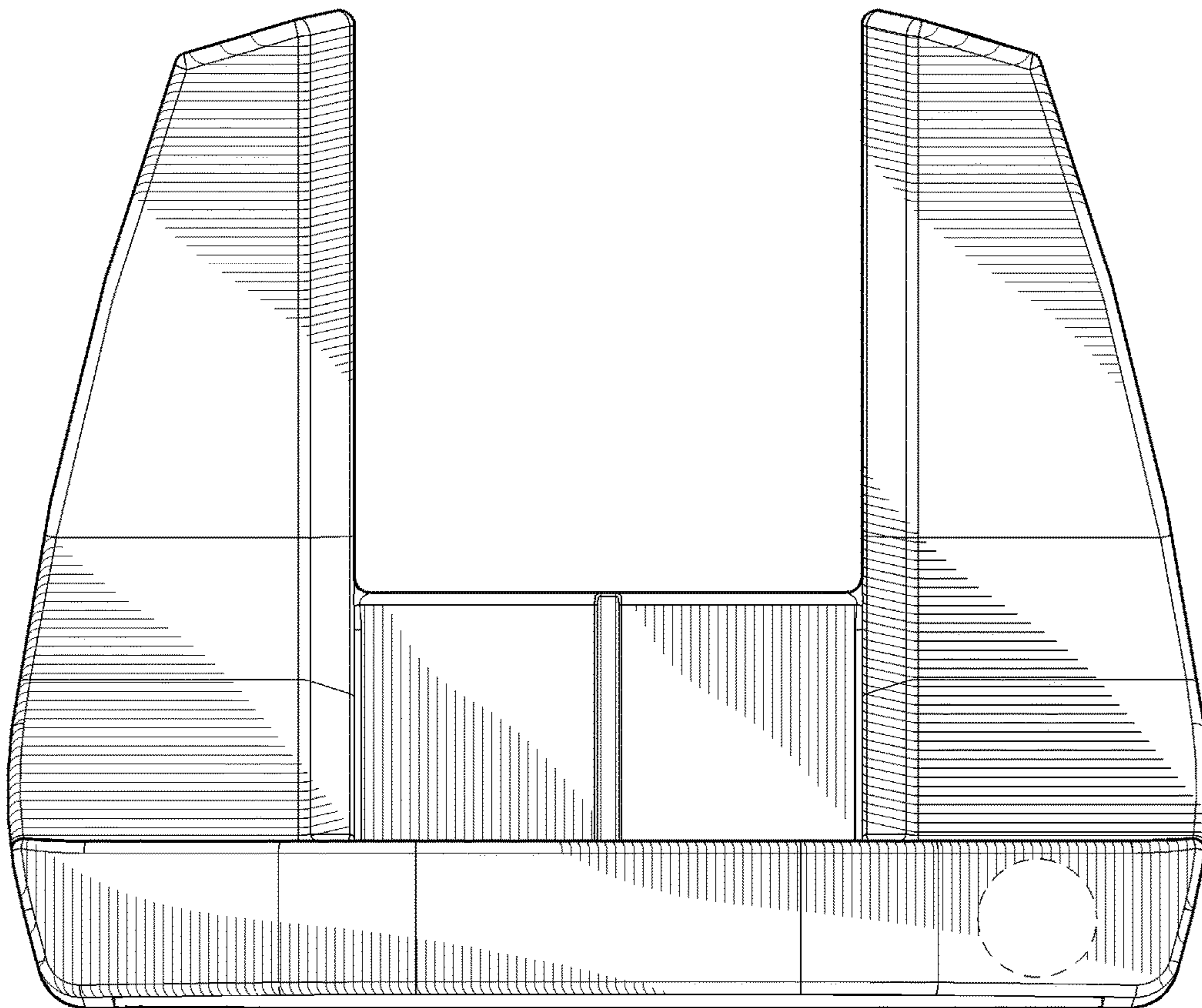


Fig. 13

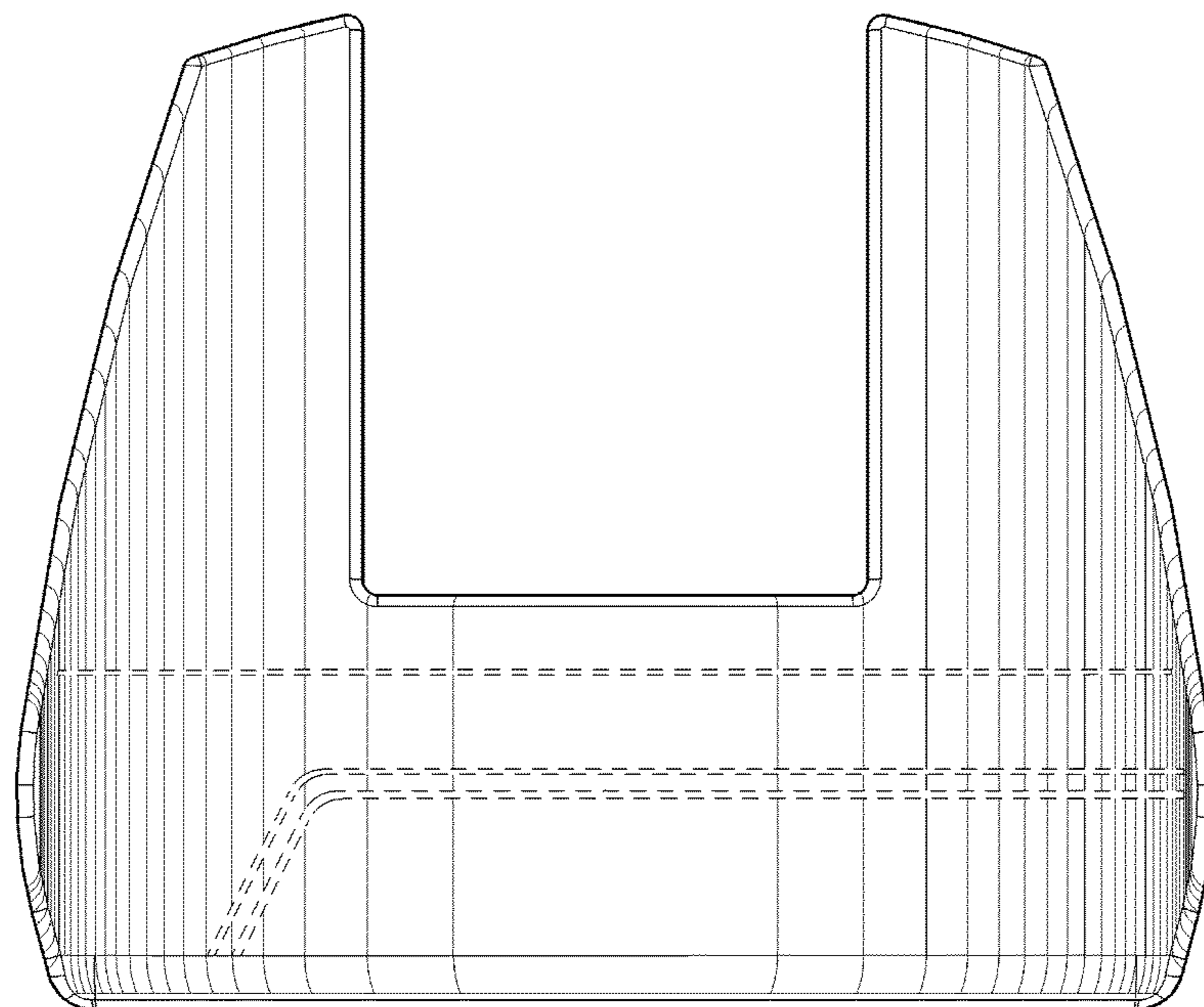


Fig. 14

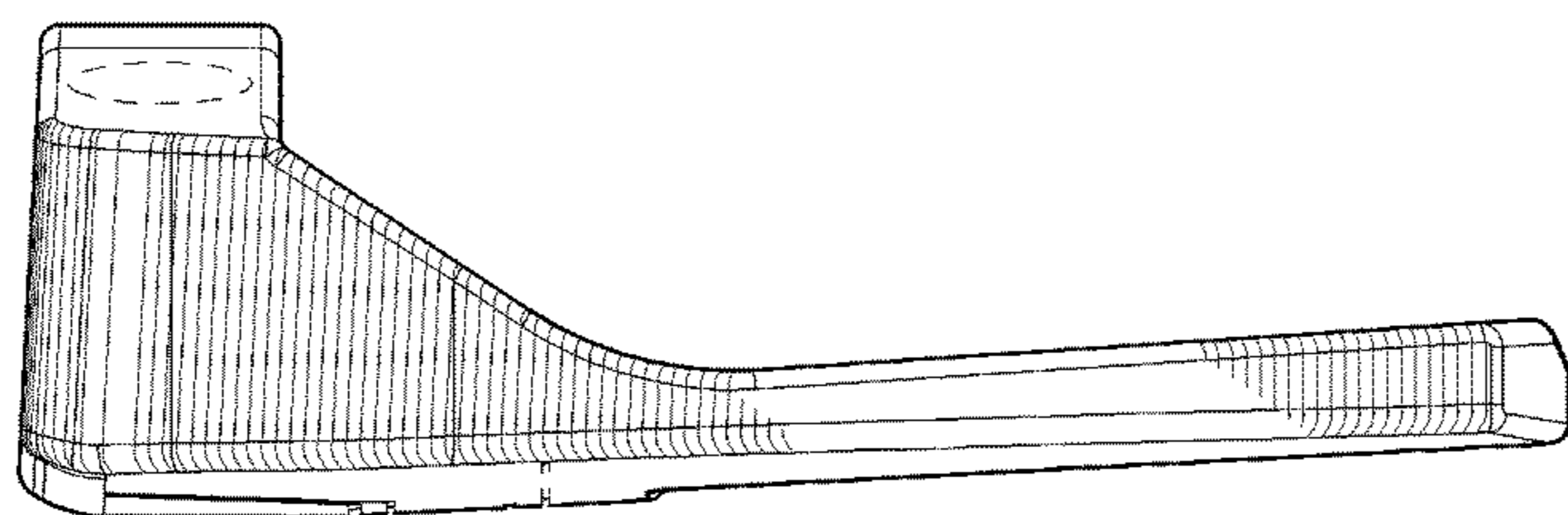


Fig. 15

Fig. 16

