



US00D807448S

(12) **United States Design Patent**  
**Tseng et al.**

(10) **Patent No.:** **US D807,448 S**  
(45) **Date of Patent:** **\*\* Jan. 9, 2018**

(54) **FALL PREVENTION ATTACHMENT FOR EXERCISE MACHINE**

(71) Applicant: **Dyaco International Inc.**, Taipei (TW)

(72) Inventors: **Ghun-Kai Tseng**, Taipei (TW);  
**Shih-Chieh Lin**, Taipei (TW); **Jia-Ling Lu**, Taipei (TW)

(73) Assignee: **Dyaco International Inc.**, Taipei (TW)

(\*\*) Term: **15 Years**

(21) Appl. No.: **29/529,674**

(22) Filed: **Jun. 9, 2015**

(30) **Foreign Application Priority Data**

Jun. 1, 2015 (TW) ..... 104302906

(51) **LOC (11) Cl.** ..... **21-02**

(52) **U.S. Cl.**  
USPC ..... **D21/694**

(58) **Field of Classification Search**  
USPC ..... D21/686, 687, 695, 694, 666, 688;  
D6/716.4, 716, 366; 482/142, 131, 96,  
482/144

CPC ..... A63B 21/068; A63B 2208/0233; A63B  
2208/0252; A63B 21/0628; A63B  
21/4035; A63B 23/0233; A61H 1/0292;  
A47C 7/40; A47C 7/425

See application file for complete search history.

(56) **References Cited**

**U.S. PATENT DOCUMENTS**

D471,042 S \* 3/2003 Schmitz ..... D6/366  
D528,172 S \* 9/2006 Bingham, Jr. .... D21/666  
D533,608 S \* 12/2006 Bingham, Jr. .... D21/695  
D545,383 S \* 6/2007 Bingham, Jr. .... D21/695

D581,996 S \* 12/2008 Teeter ..... D21/690  
D643,483 S \* 8/2011 Horita ..... D21/695  
D660,621 S \* 5/2012 Su ..... D6/366  
D661,136 S \* 6/2012 Su ..... D6/366  
D661,137 S \* 6/2012 Su ..... D6/366  
D664,220 S \* 7/2012 Leier ..... D21/695  
D673,401 S \* 1/2013 Diffrient ..... D6/716.4  
D702,299 S \* 4/2014 Ho ..... D21/686  
D705,367 S \* 5/2014 Ho ..... D21/687  
D709,969 S \* 7/2014 Ho ..... D21/668  
D727,442 S \* 4/2015 Ho ..... D21/687  
D729,887 S \* 5/2015 Zeng ..... D21/686  
D745,615 S \* 12/2015 Ho ..... D21/686  
D773,874 S \* 12/2016 Su ..... D6/366  
2009/0054217 A1 \* 2/2009 Teeter ..... A61H 1/0218  
482/144  
2014/0005006 A1 \* 1/2014 Ho ..... A63B 23/0216  
482/96

(Continued)

*Primary Examiner* — Robert M. Spear

*Assistant Examiner* — Ryan Harvey

(74) *Attorney, Agent, or Firm* — Donald E. Stout; Stout,  
Uxa & Buyan, LLP

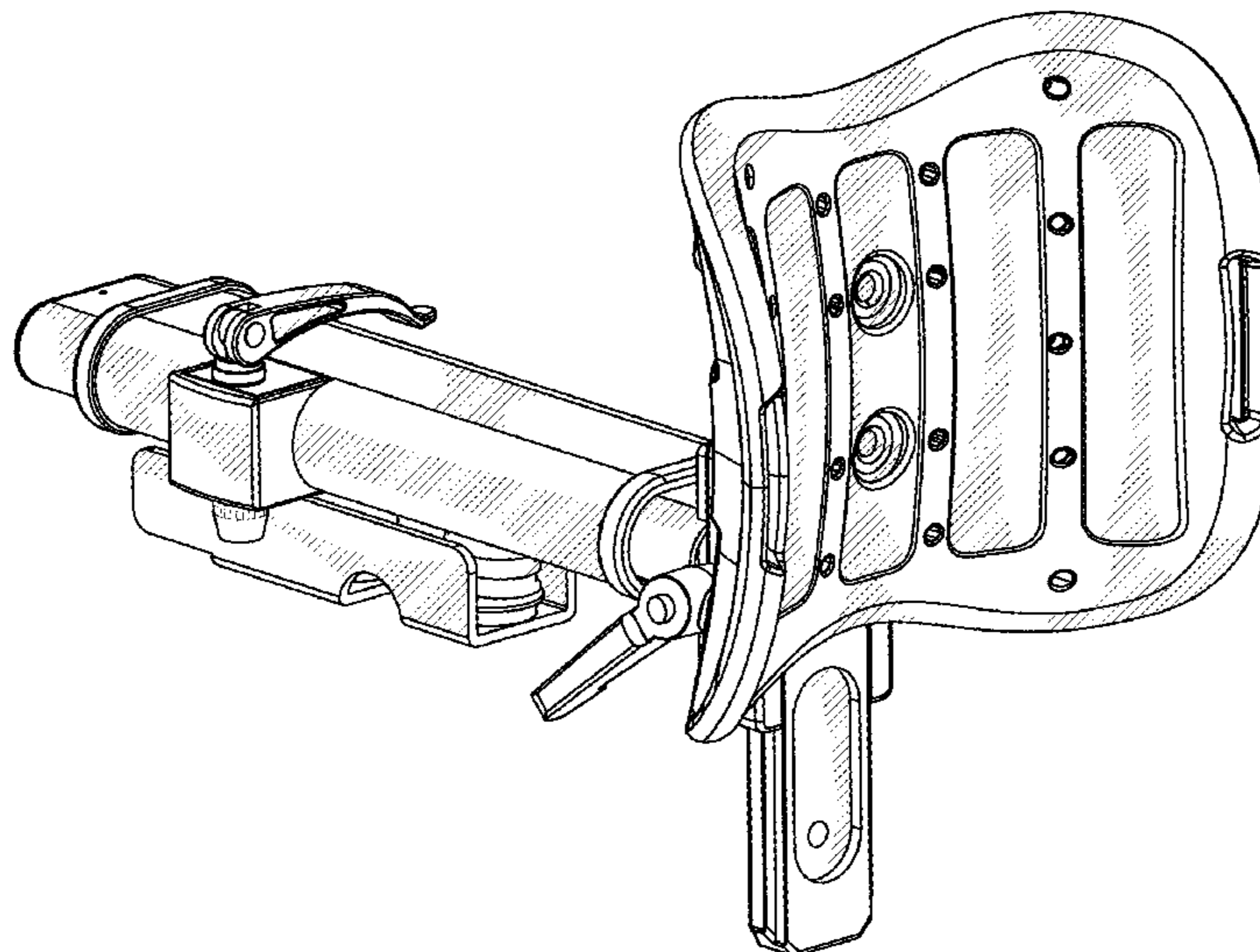
(57) **CLAIM**

The ornamental design for fall prevention attachment for exercise machine, as shown and described.

**DESCRIPTION**

FIG. 1 is a perspective view of a design for a fall prevention attachment for exercise machine showing our new design. FIG. 2 is a another perspective view FIG. 3 is a another perspective view FIG. 4 is a front elevational view thereof. FIG. 5 is a rear elevational view thereof. FIG. 6 is a left side elevational view thereof. FIG. 7 is a right side elevational view thereof. FIG. 8 is a top plan view thereof; and, FIG. 9 is a bottom plan view thereof.

**1 Claim, 9 Drawing Sheets**



(56)

**References Cited**

U.S. PATENT DOCUMENTS

2014/0005007	A1*	1/2014	Ho	.....	A63B 21/00 482/96
2014/0005008	A1*	1/2014	Ho	.....	A63B 22/205 482/96
2014/0100088	A1*	4/2014	Ho	.....	A63B 23/0227 482/131
2014/0100091	A1*	4/2014	Ho	.....	A63B 21/068 482/142

\* cited by examiner

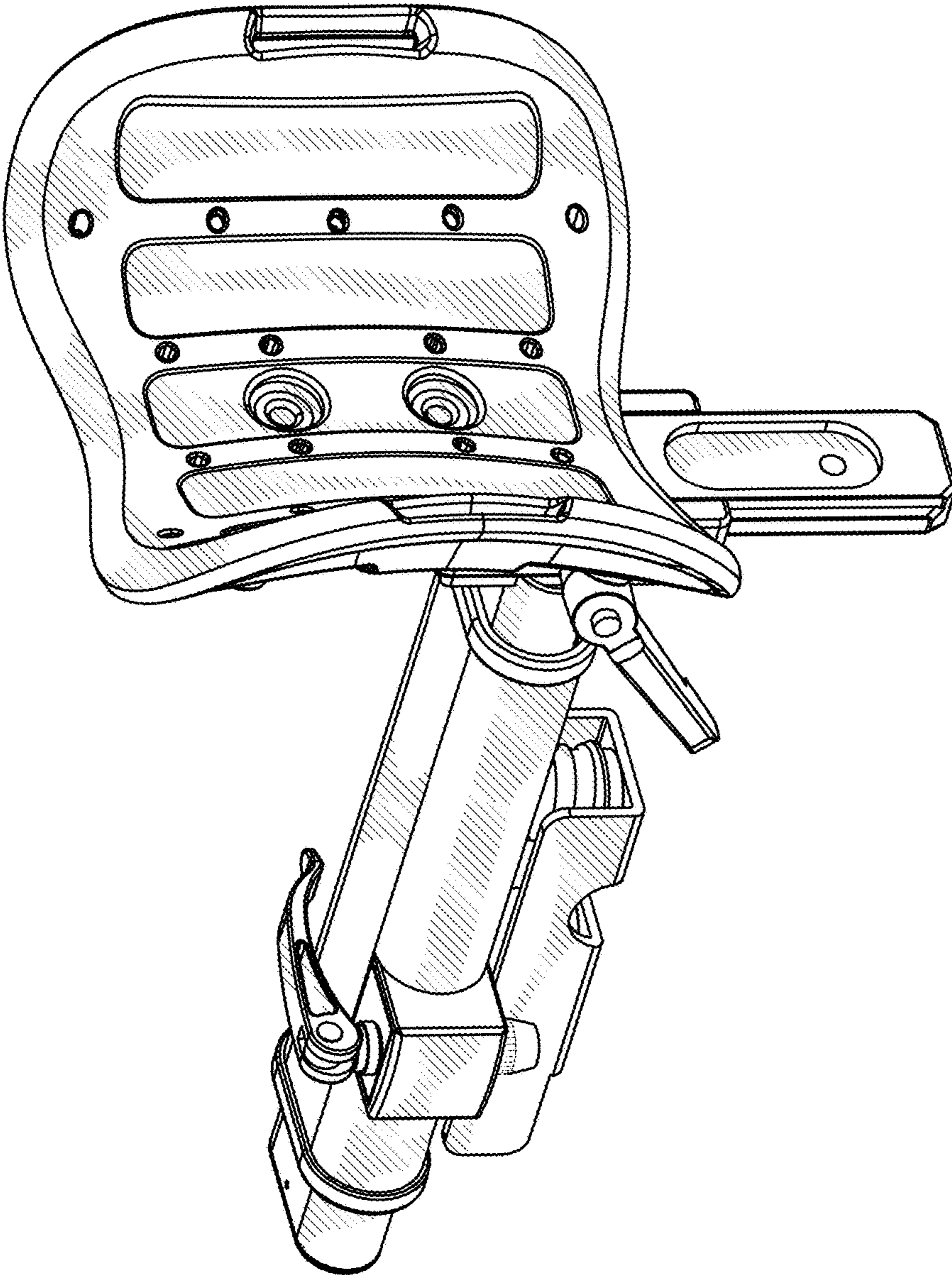


FIG.1

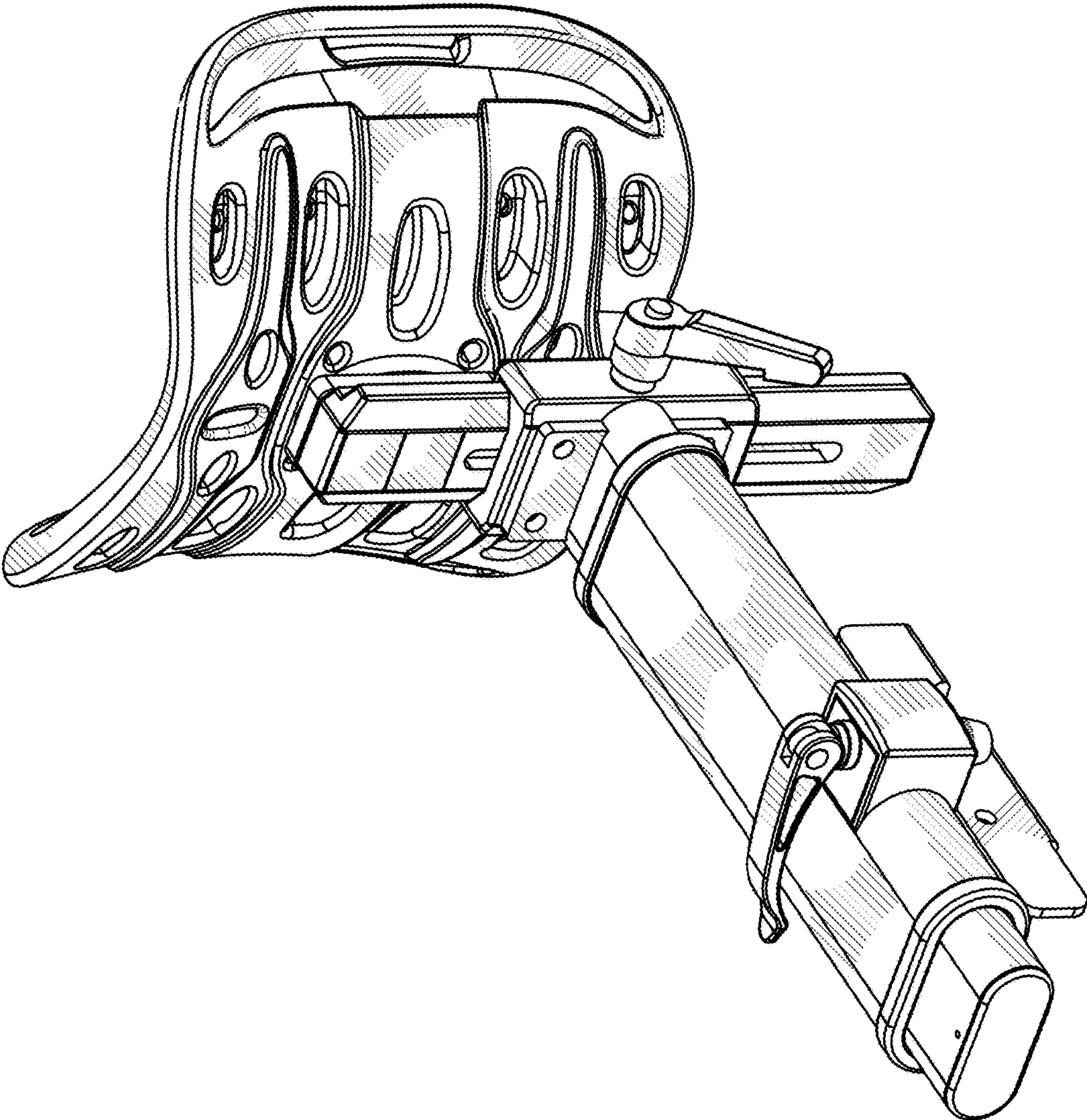


FIG.2

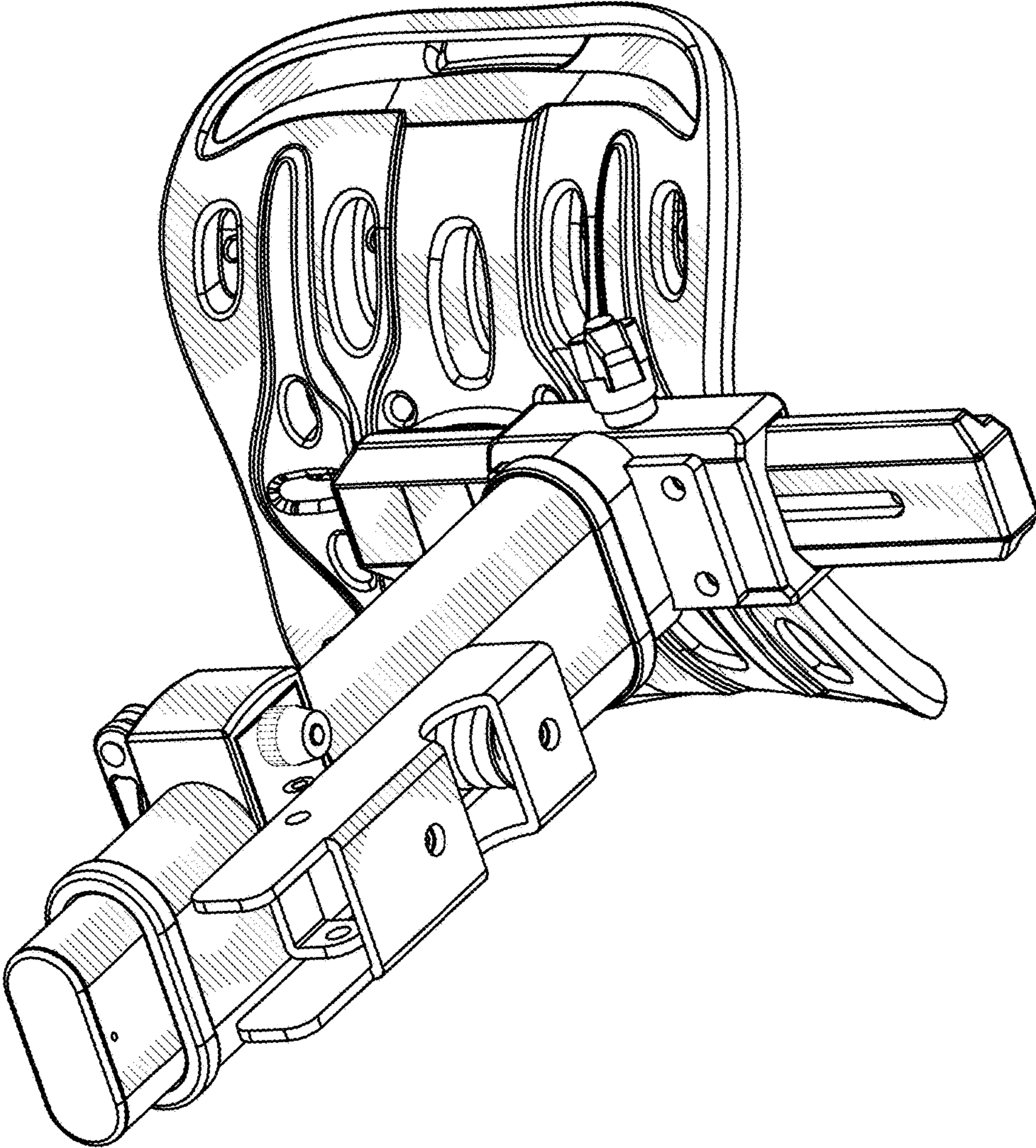


FIG.3

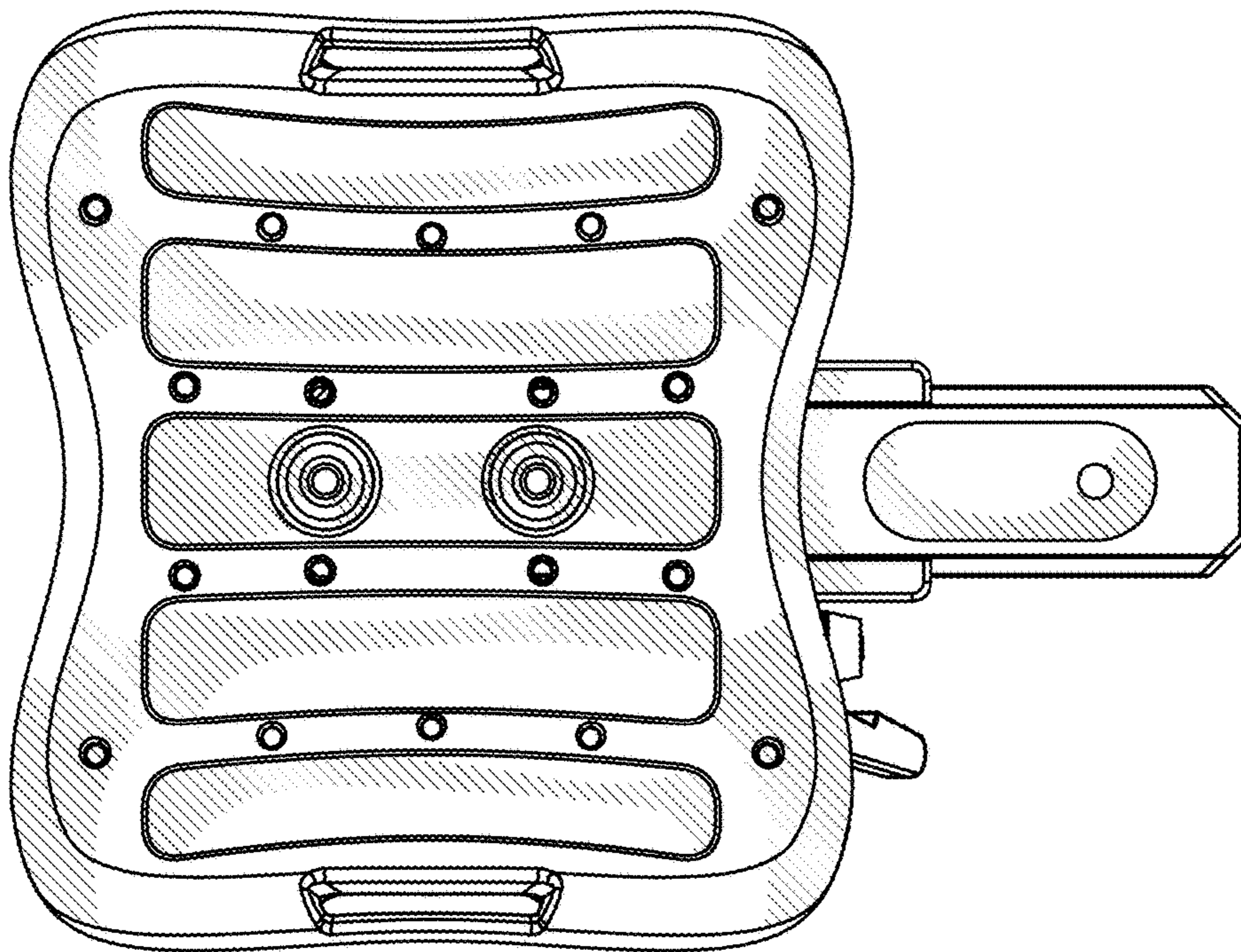


FIG.4

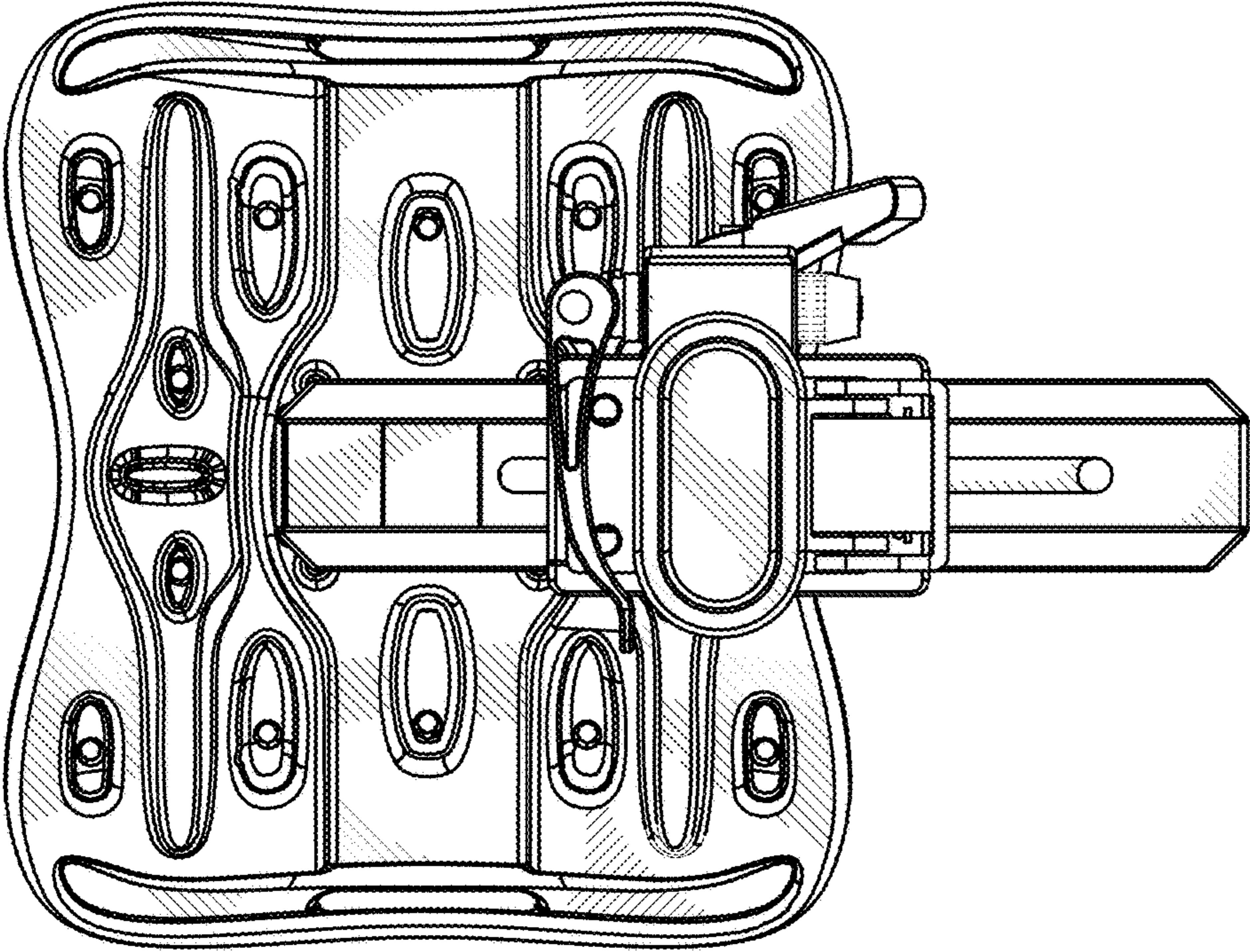


FIG.5

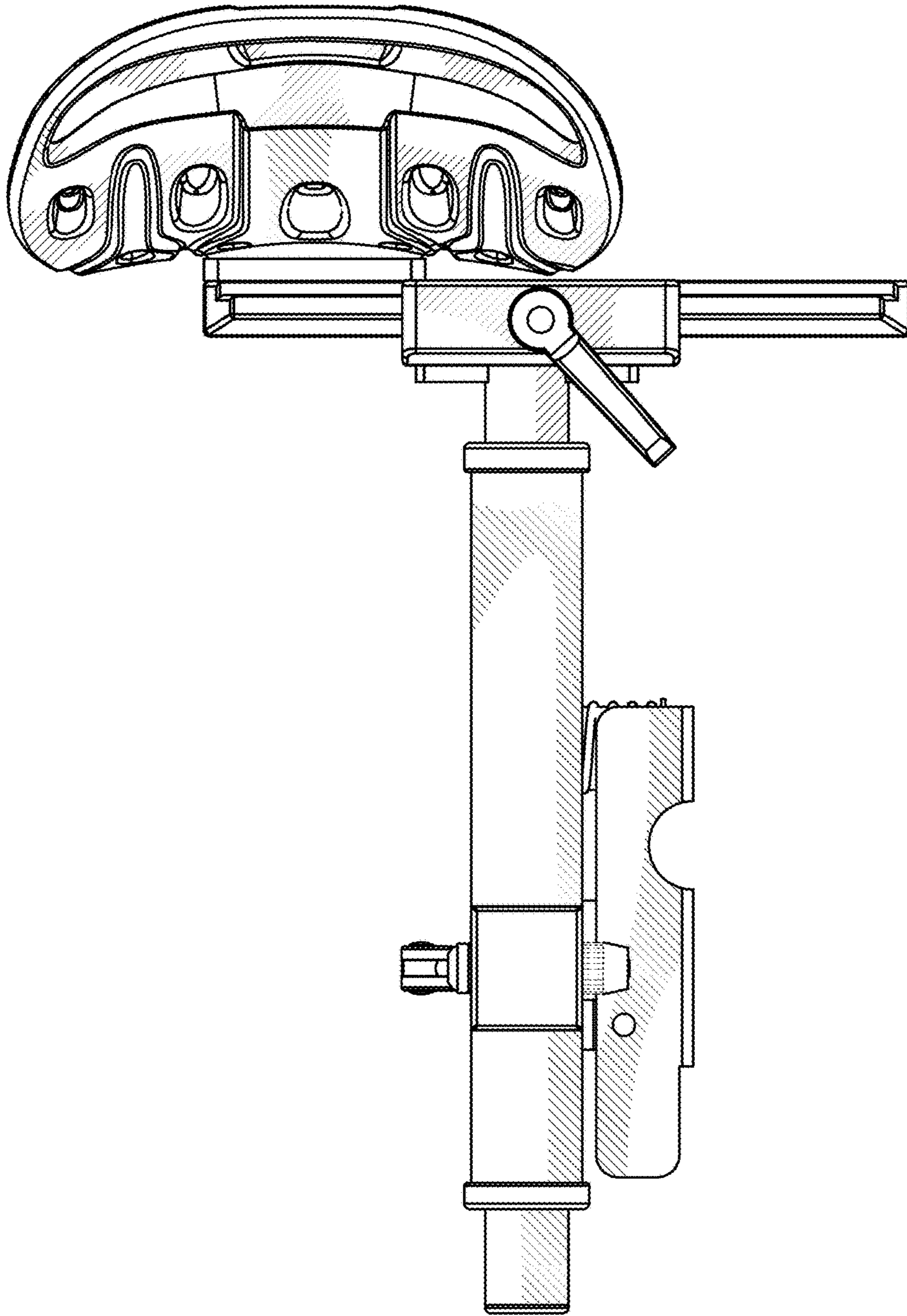


FIG.6



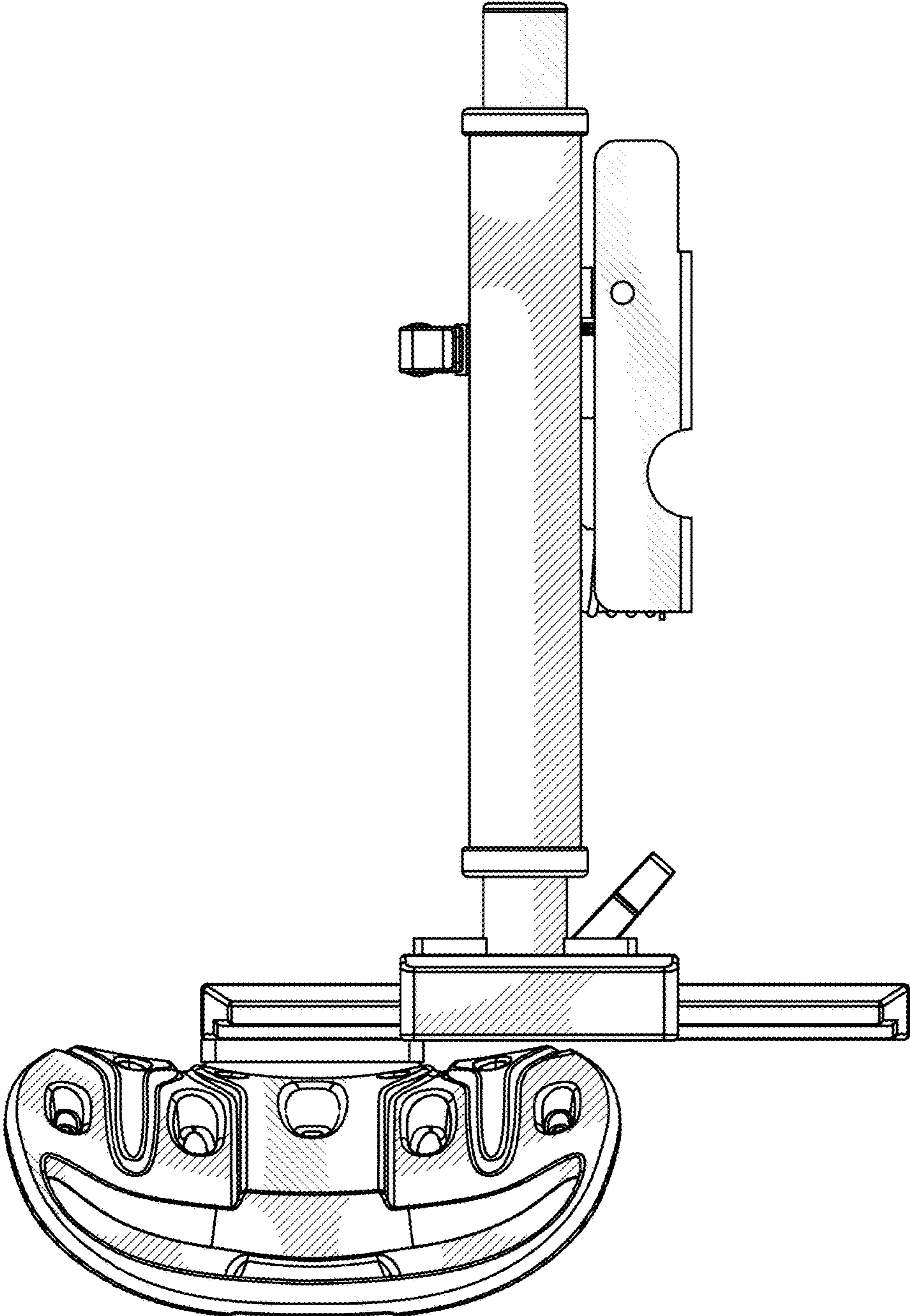


FIG. 7

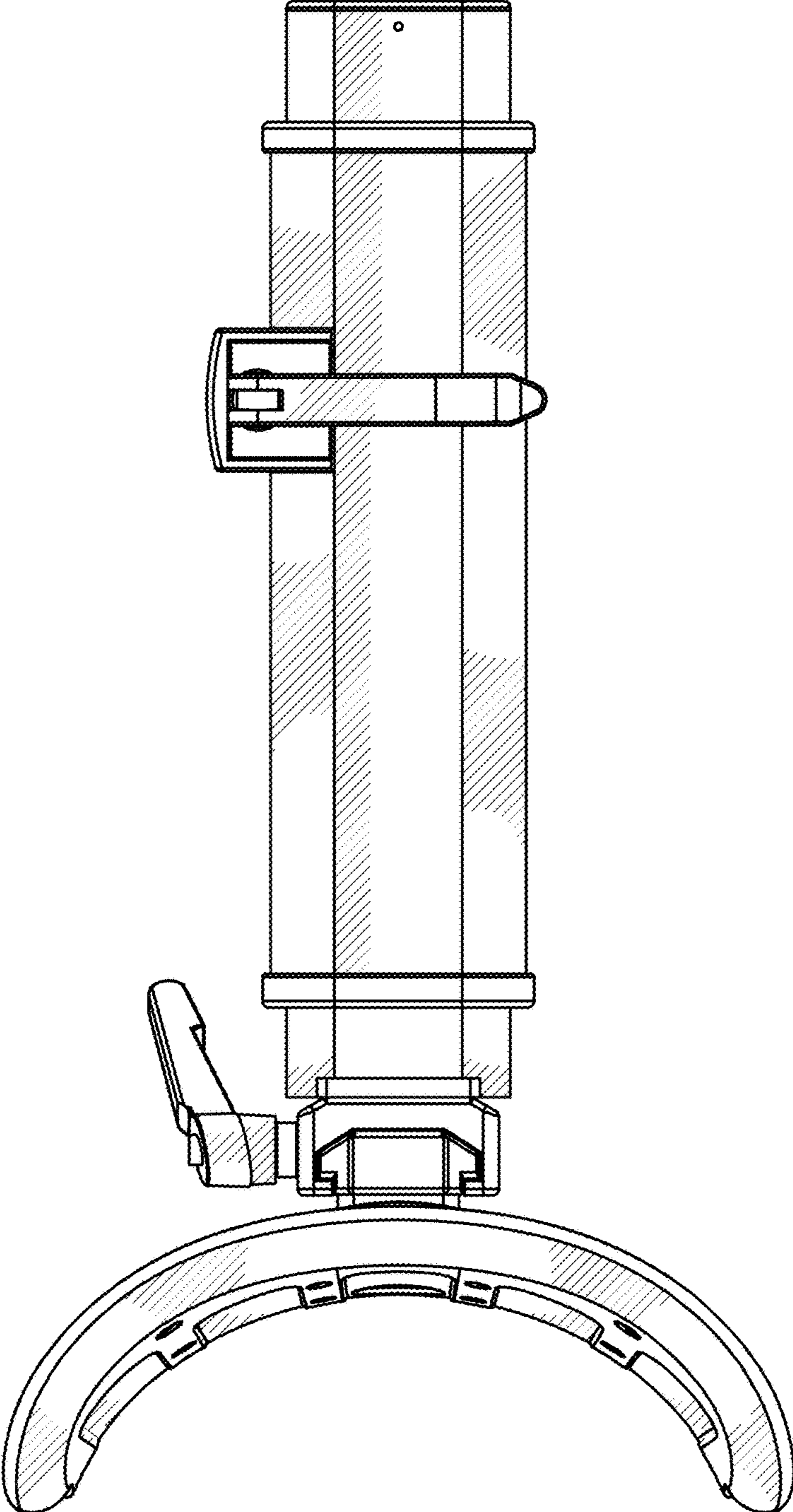


FIG.8

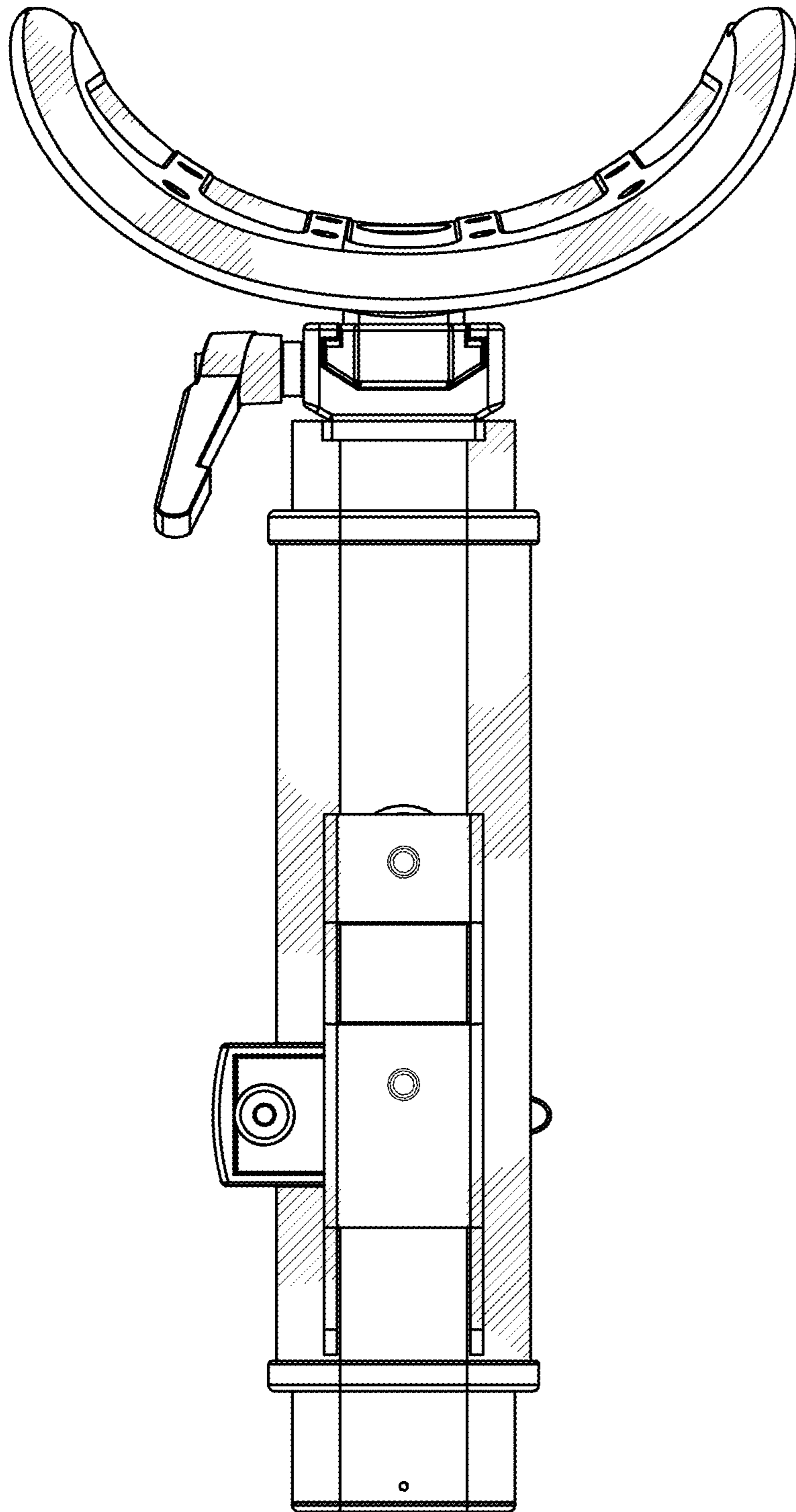


FIG.9