



US00D807445S

(12) **United States Design Patent**
Gettle

(10) **Patent No.:** **US D807,445 S**
(45) **Date of Patent:** **** Jan. 9, 2018**

(54) **EXERCISE MACHINE**

FOREIGN PATENT DOCUMENTS

(71) Applicant: **Nautilus, Inc.**, Vancouver, WA (US)

CN 2853108 Y 1/2007

(72) Inventor: **Jeffrey A. Gettle**, Portland, OR (US)

FR 2968571 A1 6/2012

WO 2004062741 A1 7/2004

(73) Assignee: **Nautilus, Inc.**, Vancouver, WA (US)

OTHER PUBLICATIONS

(**) Term: **15 Years**

HVT by Bowflex dated no date given. Found online [Aug. 18, 2017]
<http://www.bowflex.com/>.*

(21) Appl. No.: **29/574,258**

(Continued)

(22) Filed: **Aug. 12, 2016**

Primary Examiner — Robert M Spear

(51) **LOC (11) Cl.** **21-02**

Assistant Examiner — Ryan Harvey

(52) **U.S. Cl.**

(74) *Attorney, Agent, or Firm* — Dorsey & Whitney LLP

USPC **D21/686**

(58) **Field of Classification Search**

(57) **CLAIM**

USPC ... 482/99, 111, 114, 121, 133, 94, 142, 130,
482/112, 100, 138, 102, 101, 1, 5, 8, 9,
482/901, 95, 96, 51, 92, 93, 136, 104,
482/108, 97, 140, 69, 107, 98, 139, 4, 6,
482/145, 41; 434/29; D21/673, 691,
D21/694, 682, 686, 675, 676, 826

I claim the ornamental design for an exercise machine, as shown and described.

CPC A63B 24/0062; A63B 2210/50; A63B
2230/06; A63B 21/4035; A63B 21/154

DESCRIPTION

See application file for complete search history.

FIG. 1 shows a front isometric view of an exercise machine. FIG. 2 shows a back isometric view of the exercise machine in FIG. 1.

(56) **References Cited**

FIG. 3 shows a front view of the exercise machine in FIG. 1.

U.S. PATENT DOCUMENTS

FIG. 4 shows a back view of the exercise machine in FIG. 1.

6,296,594 B1 * 10/2001 Simonson A63B 21/154
482/102

FIG. 5 shows a left side view of the exercise machine in FIG. 1.

6,669,609 B2 12/2003 Gerschefske et al.

FIG. 6 shows a right side view of the exercise machine in FIG. 1.

6,705,976 B1 3/2004 Piane, Jr.

FIG. 7 shows a top view of the exercise machine in FIG. 1; and,

D512,113 S * 11/2005 Carter D21/675

FIG. 8 shows a bottom view of the exercise machine in FIG. 1.

D514,174 S * 1/2006 Germantown D21/675

The broken line showing of portions of the exercise machine depicts environment and forms no part of the claim.

7,172,538 B2 2/2007 Keiser

7,226,401 B2 6/2007 Van Stratten et al.

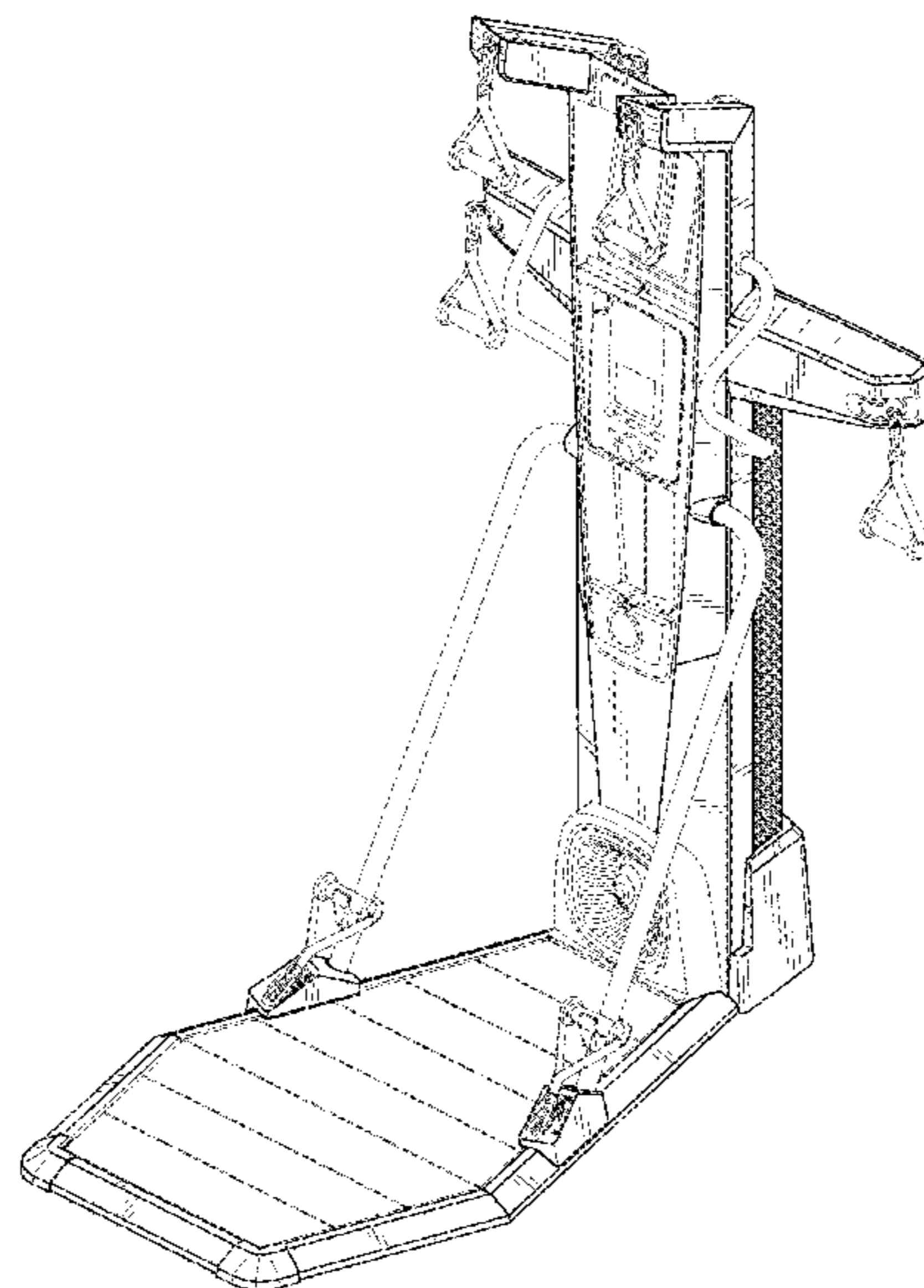
7,524,272 B2 4/2009 Bruck et al.

7,815,552 B2 10/2010 Dibble et al.

7,892,155 B2 * 2/2011 Pearson A63B 21/026
482/121

(Continued)

1 Claim, 8 Drawing Sheets



(56)

References Cited

U.S. PATENT DOCUMENTS

7,909,740 B2 3/2011 Dalebout et al.
 7,981,010 B1* 7/2011 Webber A63B 21/0615
 482/100
 8,096,926 B1* 1/2012 Batca A63B 21/00058
 482/92
 8,500,607 B2 8/2013 Vittone et al.
 8,517,899 B2 8/2013 Zhou et al.
 8,550,964 B2* 10/2013 Ish, III A63B 21/156
 482/103
 8,647,239 B1 2/2014 Sokolovas et al.
 8,968,167 B1 3/2015 Abelbeck et al.
 D731,601 S* 6/2015 Bradley D21/686
 9,162,102 B1* 10/2015 Eder E05C 1/06
 9,254,409 B2 2/2016 Dalebout et al.
 9,403,051 B2 8/2016 Cutler
 2002/0025888 A1* 2/2002 Germanton A63B 21/063
 482/1
 2005/0272577 A1* 12/2005 Olson A63B 21/00072
 482/123
 2006/0035768 A1* 2/2006 Kowallis A63B 21/00072
 482/123
 2007/0117690 A1* 5/2007 Webber A63B 21/00072
 482/94
 2007/0135277 A1 6/2007 Alessandri et al.
 2007/0161472 A1* 7/2007 Drechsler A63B 15/00
 482/100
 2008/0214365 A1* 9/2008 Webber A63B 21/159
 482/72

2012/0277068 A1 11/2012 Zhou et al.
 2013/0109543 A1 5/2013 Reyes
 2014/0162854 A1 6/2014 Watterson
 2015/0182773 A1 7/2015 Olson et al.
 2017/0056707 A1* 3/2017 Hockridge A63B 21/0628

OTHER PUBLICATIONS

Inspire, "FT2 Inspire—Assembly and Operation Manual", www.inspirefitness.net, Nov. 2012, 33 Pages.
 Life Fitness, "G5 Cable Motion—Gym System—Assembly Instructions", 2008, 24 Pages.
 Lodging Hospitality, "Exercise Equipment—Hotel Fitness Total Body Trainer", p. 39, 2009, 1 Page.
 Manualslib, "Gyrotonic—Transformer 1000 User Manual", www.Manualslib.com, 2004, 19 Pages.
 Matrix, "Total Body Trainer", 2013, 2 Pages.
 Morgan, "Photo of Iviva International Corp. Infiniti Fitness functional exercise machine", Taken at FIBO exhibition in Cologne, Germany, Apr. 7-10, 2016, 1 Page.
 Nautilus, Inc., "F3 Tower Trainer", 2012, 7 Pages.
 Nautilus, Inc., "Functional Trainers", 2014, 8 Pages.
 Tuffstuff, "SPT-6 Six-Pak Trainer", www.tuffstufffitness.com, 2011, 3 Pages.
 Tuffstuff, "SPT-6B Base Six-Pak Trainer—Owner's Manual", www.tuffstufffitness.com, Oct. 14, 2013, 28 Pages.
 Tuffstuff, "SPT-6X Six-Pak Trainer—Owner's Manual", www.tuffstufffitness.com, Oct. 29, 2013, 32 Pages.
 Vectra, "VFT100 Brochure", 2013, 2 Pages.

* cited by examiner

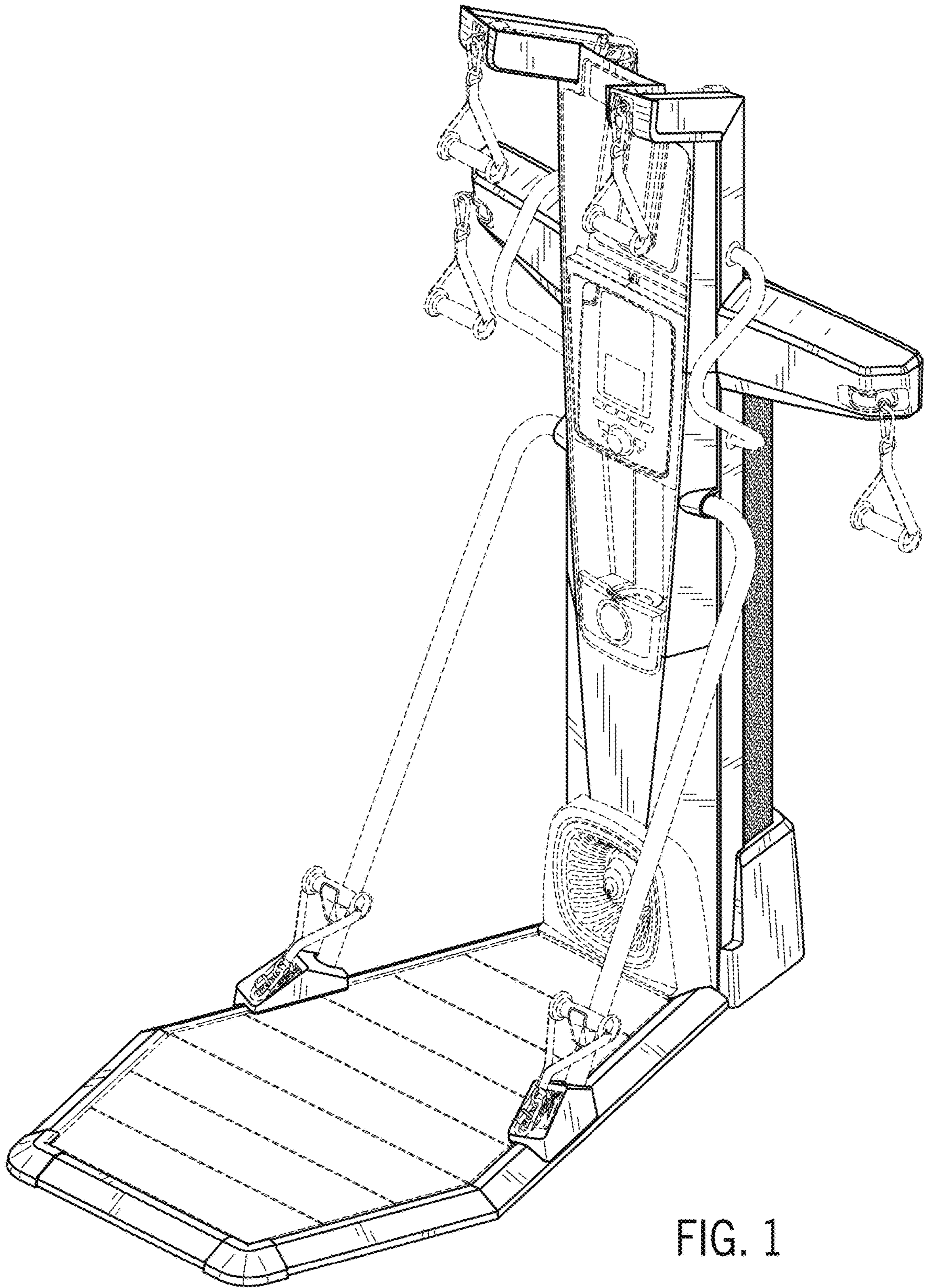


FIG. 1

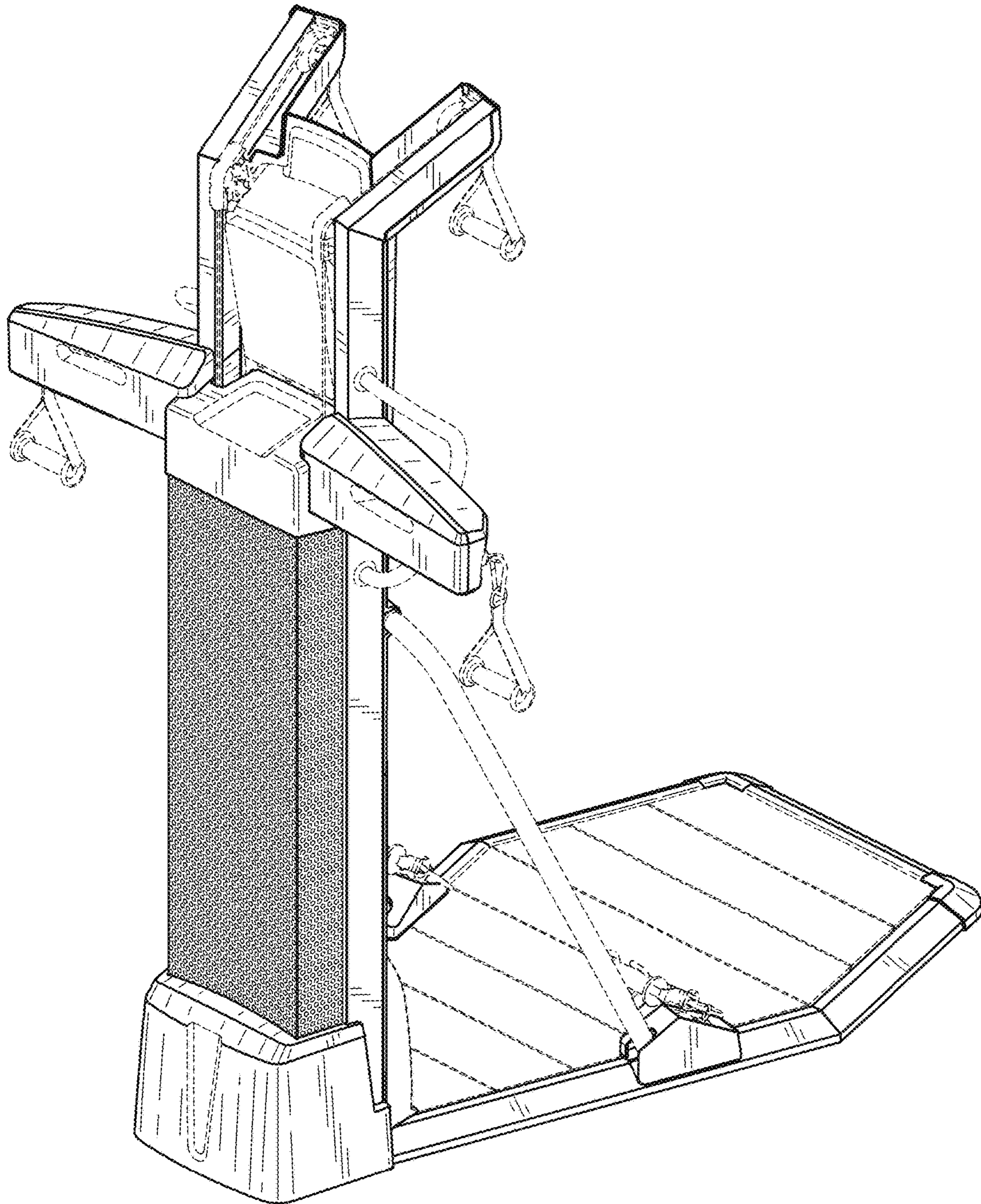


FIG. 2

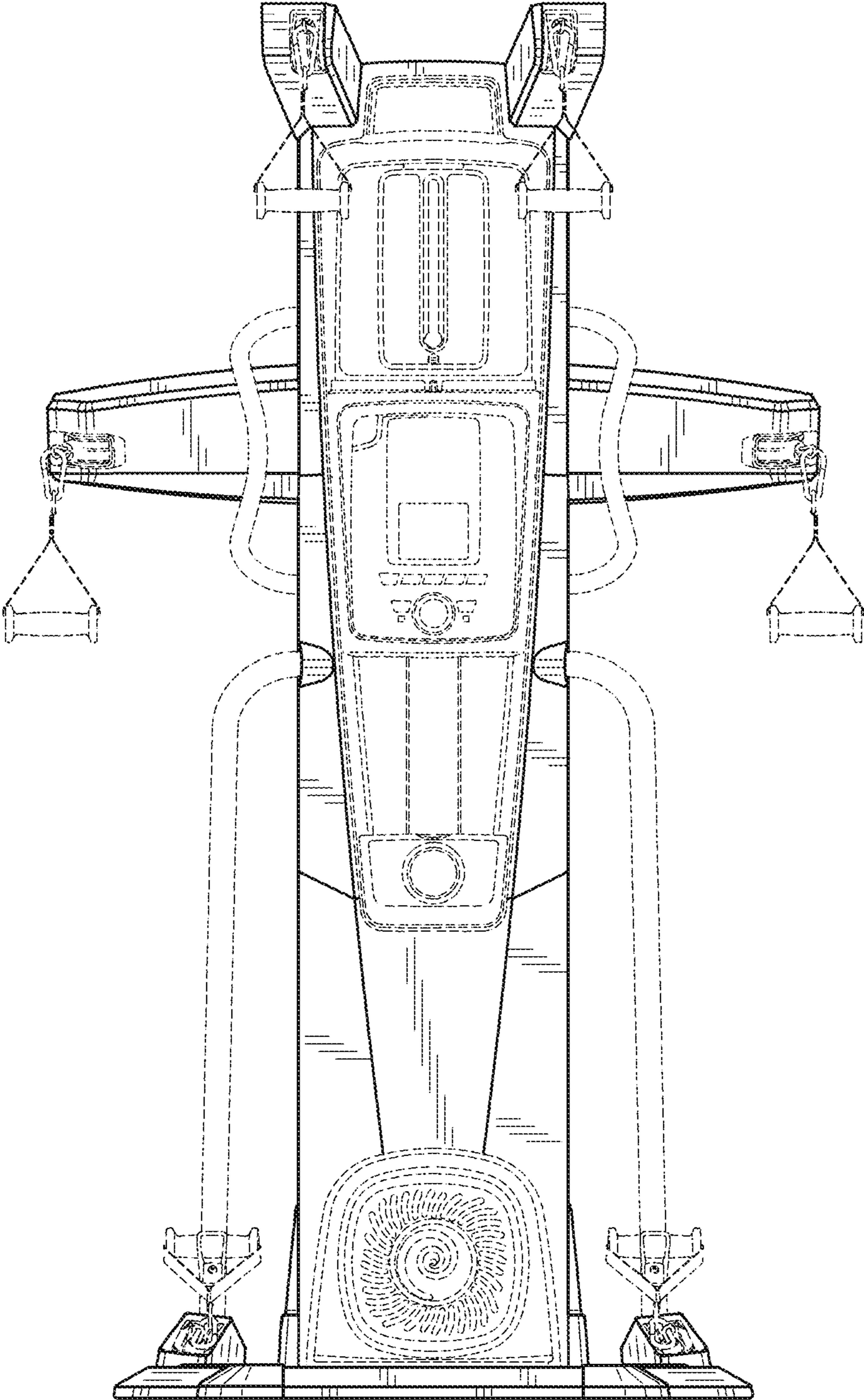


FIG. 3

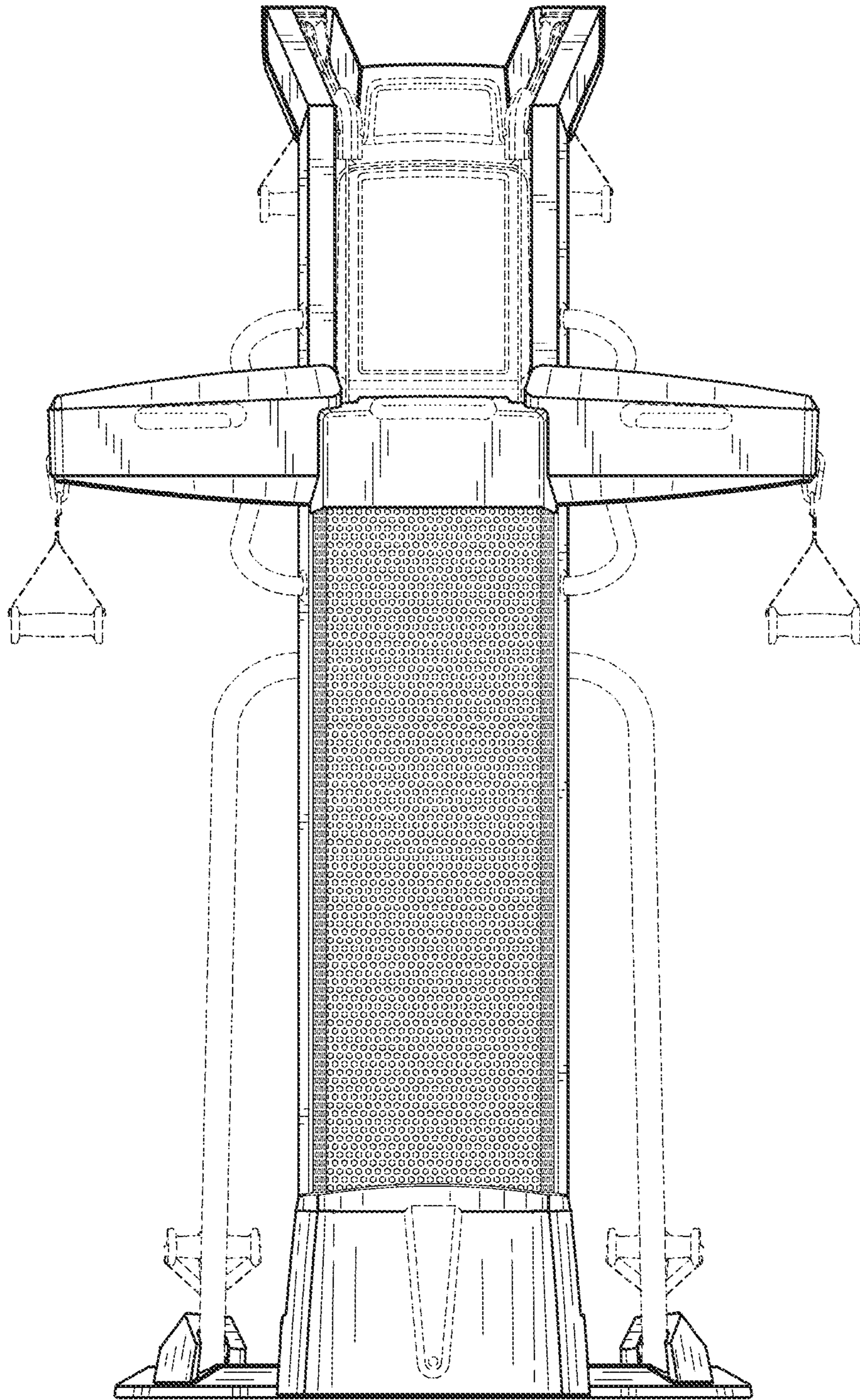


FIG. 4

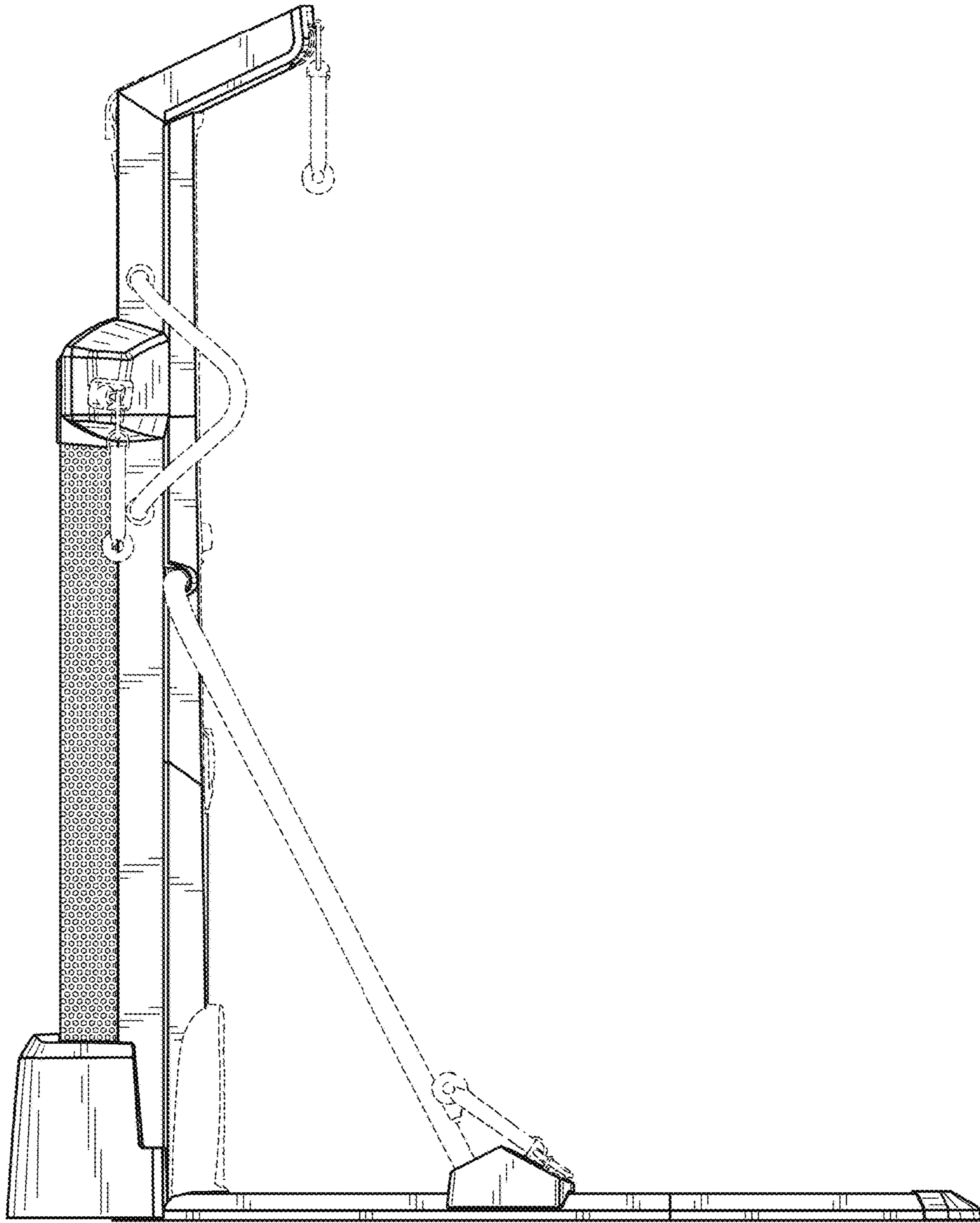


FIG. 5

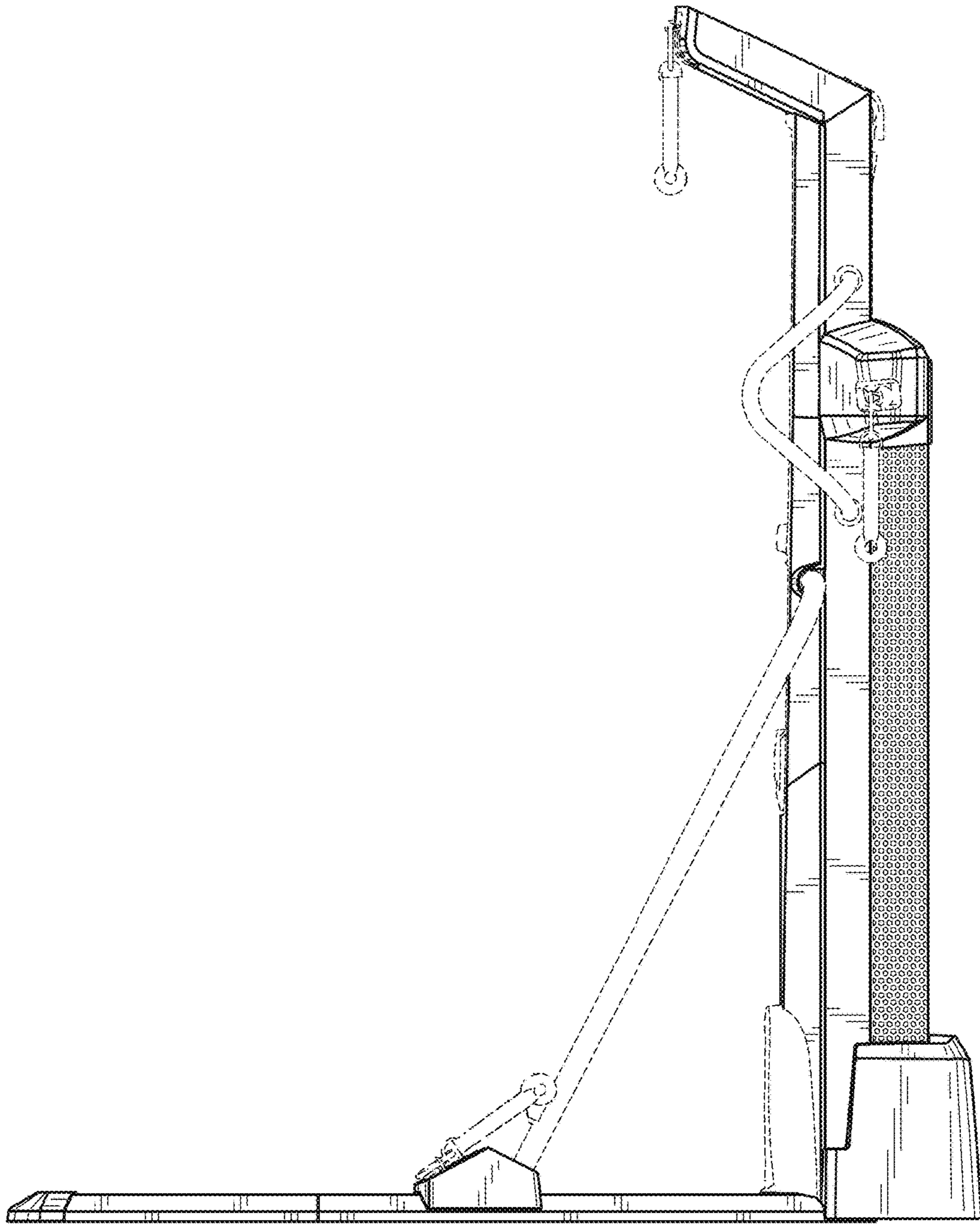


FIG. 6

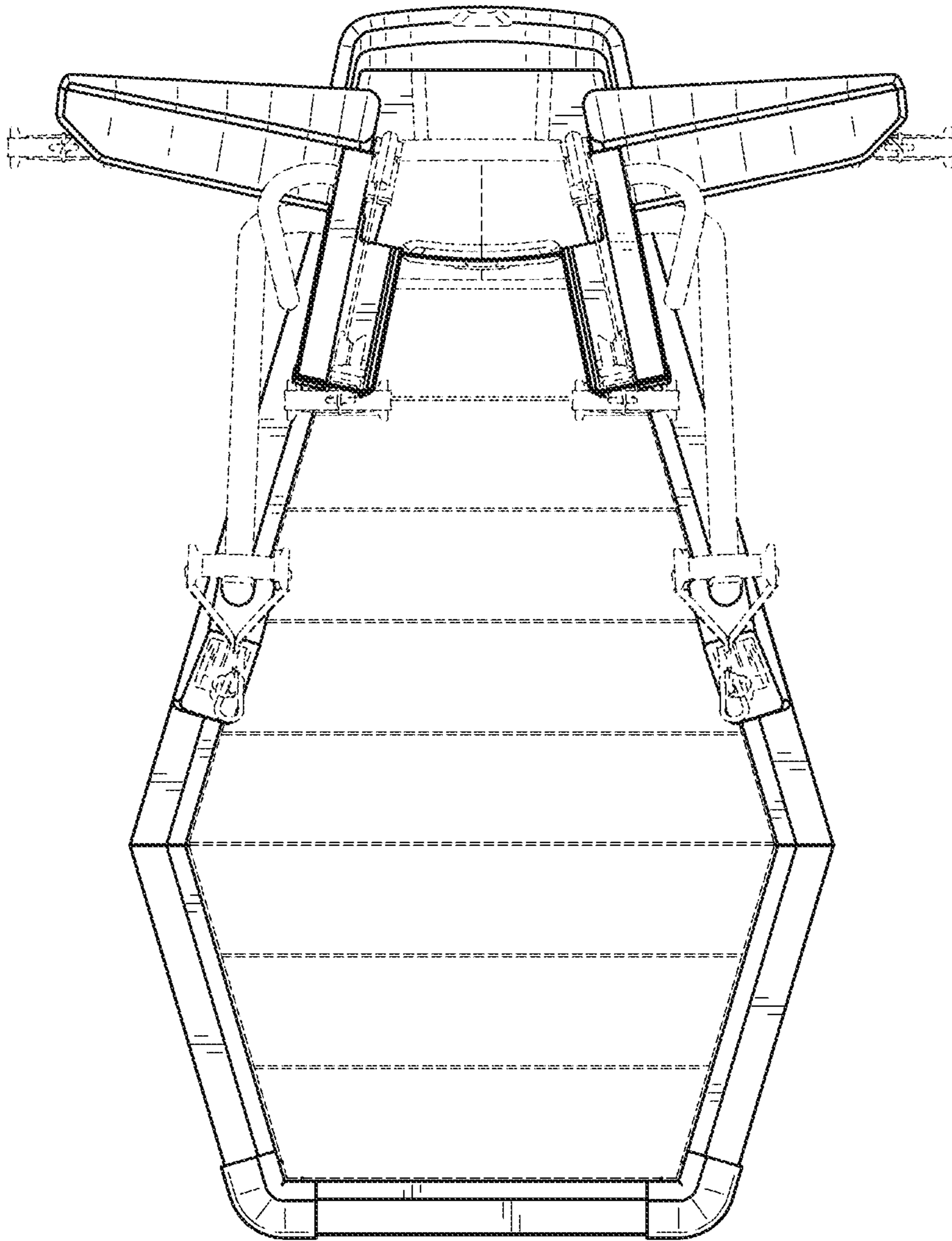


FIG. 7

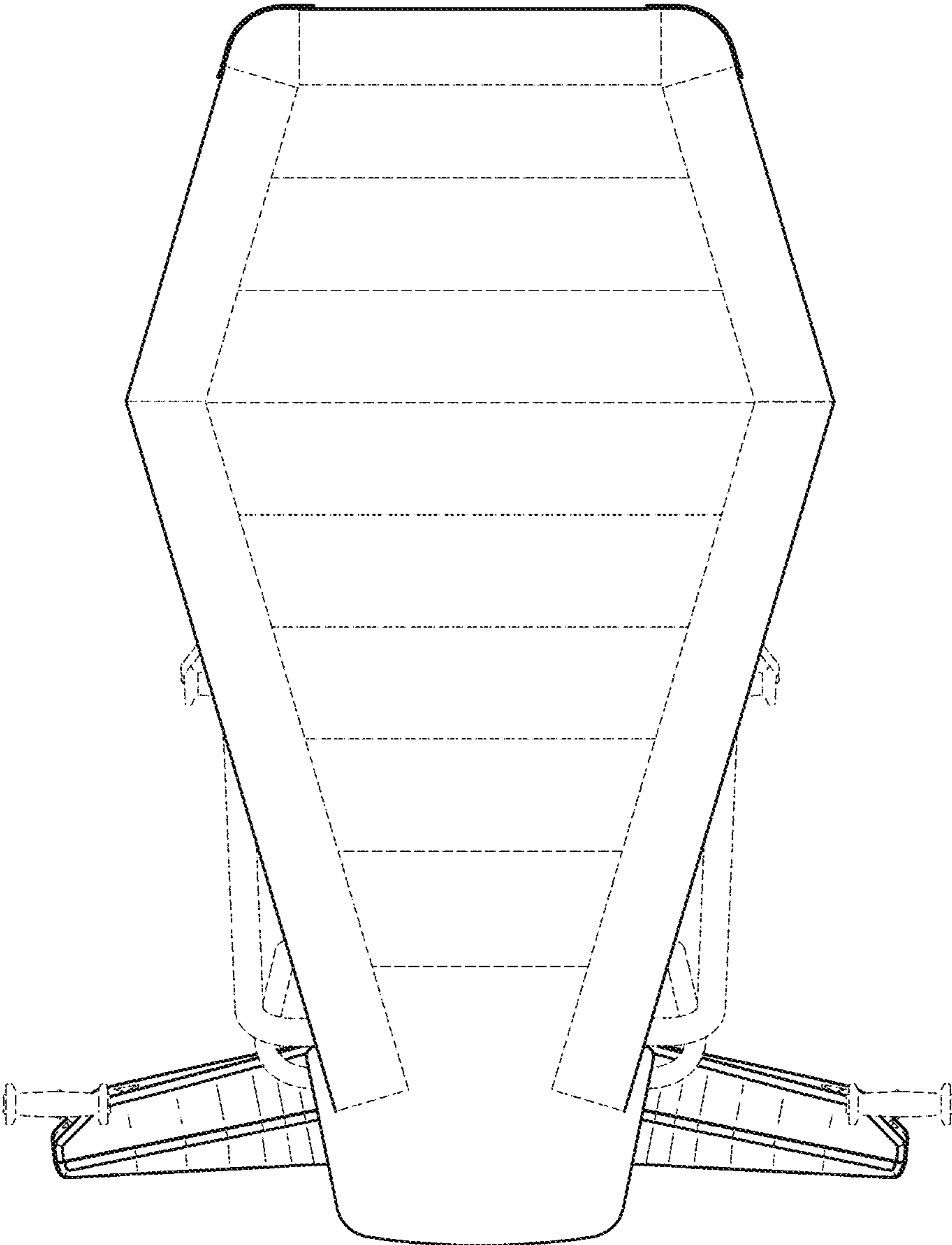


FIG. 8