



US00D807444S

(12) **United States Design Patent** (10) **Patent No.:** **US D807,444 S**  
**Januszek** (45) **Date of Patent:** **\*\* Jan. 9, 2018**

(54) **SUPPORT CUSHION FOR PLYOMETRIC EXERCISE**

FOREIGN PATENT DOCUMENTS

(71) Applicant: **Escape Fitness Limited**, Peterborough (GB)

EP 0128354 A2 12/1984  
GB 2501613 A 10/2013  
WO 2004024240 A1 3/2004

(72) Inventor: **Matthew Januszek**, Peterborough (GB)

OTHER PUBLICATIONS

(73) Assignee: **Escape Fitness Limited**, Peterborough (GB)

Escape Fitness Multiplyo by Functional Training by Escape Fitness dated Jun. 23, 2014. Found online [Sep. 28, 2016] <https://www.youtube.com/watch?v=ubGrmrREJHk>.\*

(\*\*) Term: **15 Years**

(Continued)

(21) Appl. No.: **29/553,255**

*Primary Examiner* — Robert M Spear

*Assistant Examiner* — Ryan Harvey

(22) Filed: **Jan. 29, 2016**

(74) *Attorney, Agent, or Firm* — Troutman Sanders LLP; Ryan A. Schneider

**Related U.S. Application Data**

(63) Continuation of application No. 14/621,304, filed on Feb. 12, 2015, now Pat. No. 9,480,870.

(51) **LOC (11) Cl.** ..... **21-02**

(52) **U.S. Cl.**  
USPC ..... **D21/686**

(58) **Field of Classification Search**  
USPC ..... D21/797, 694, 671, 686, 698, 699, 680, D21/685, 692, 687, 689, 318, 688, 412, D21/333, 683, 798; D8/330, 1, 16; 482/142, 52, 51, 30, 74, 91, 140, 25, 94, 482/122; D19/37, 64, 59; D9/624, 629; D14/417, 496; 15/104.93, 105, 118, 15/229.11, 208; D25/139, 155, 62, 65;  
(Continued)

(56) **References Cited**

**U.S. PATENT DOCUMENTS**

D136,977 S \* 1/1944 Petruzzo ..... D19/70  
3,262,134 A 7/1966 Bramble, Jr.

(Continued)

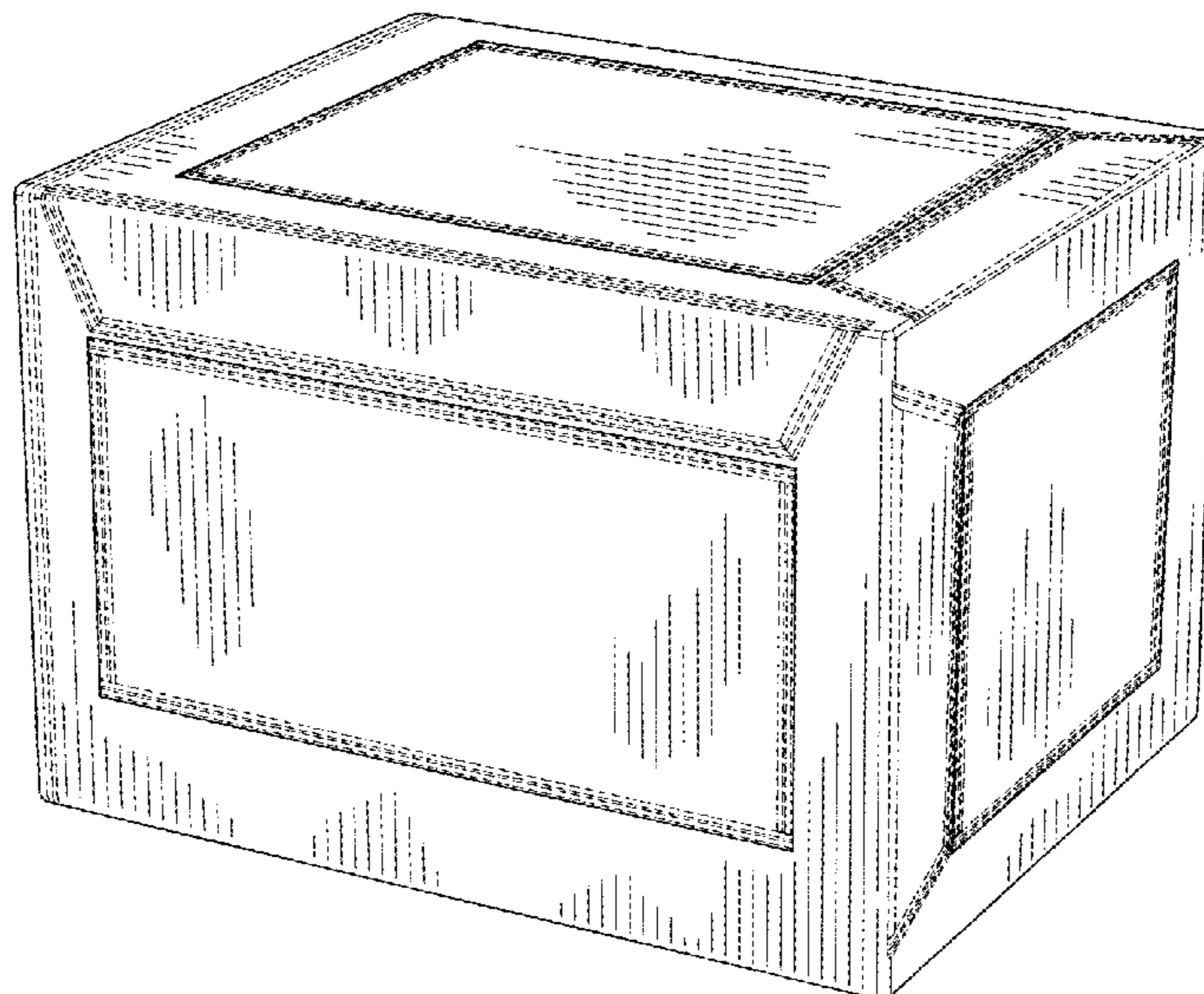
**CLAIM**

(57) The ornamental designs for a support cushion for plyometric exercise, as shown and described.

**DESCRIPTION**

FIG. 1 is an isometric view of the support cushion for plyometric exercise of the present invention; FIG. 2 is a front view of the support cushion for plyometric exercise of FIG. 1; FIG. 3 is a back view of the support cushion for plyometric exercise of FIG. 1; FIG. 4 is a side view of the support cushion for plyometric exercise of FIG. 1; FIG. 5 is the other side view of the support cushion for plyometric exercise of FIG. 1; FIG. 6 is a top view of the support cushion for plyometric exercise of FIG. 1; and, FIG. 7 is a bottom view of the support cushion for plyometric exercise of FIG. 1. The broken line showing of portions of the support cushion for plyometric exercise depicts environment and forms no part of the claim.

**1 Claim, 4 Drawing Sheets**



(58) **Field of Classification Search**

USPC ..... D6/349, 582, 598, 335, 350, 583, 588,  
 D6/585; 99/472, 467; D34/23, 1;  
 297/461, 223, 423.41; 269/289 R, 13, 15,  
 269/14; 206/501, 256, 272.8, 308.2, 330,  
 206/60, 213; 248/678; D7/698, 699,  
 D7/629, 388; 220/4.26; 217/3 R;  
 D24/190, 191, 192, 167; D17/99;  
 D3/294, 282, 905; D30/118; 182/33;  
 D99/17, 1; 451/534, 539; 446/117, 69;  
 473/278  
 CPC ..... A63B 22/001; A63B 22/0664; A63B  
 23/0211; A63B 21/225; A63B 2022/067;  
 A63B 21/4035; A63B 2210/50; A63B  
 22/0015; A63B 2208/0204; A63B  
 21/4047; A63B 2208/0233; A63B  
 21/0552; A63B 22/0056

See application file for complete search history.

(56) **References Cited**

U.S. PATENT DOCUMENTS

4,137,583 A 2/1979 Baldwin et al.  
 4,147,828 A 4/1979 Heckel et al.  
 4,263,727 A 4/1981 Bender et al.  
 4,357,725 A 11/1982 Ahlm  
 4,758,195 A \* 7/1988 Walsh ..... A63H 33/04  
 401/196  
 4,901,453 A 2/1990 Gaynor  
 4,968,025 A 11/1990 Edkins  
 5,093,931 A 3/1992 LaBerge et al.  
 D339,615 S \* 9/1993 Stewart ..... D21/493  
 5,458,522 A \* 10/1995 Brooks, III ..... A63H 33/048  
 446/85  
 D369,438 S \* 4/1996 Resler ..... D28/59  
 5,620,325 A \* 4/1997 Glick ..... A63H 33/04  
 434/258  
 D394,930 S \* 6/1998 Creske ..... D34/1  
 D444,177 S \* 6/2001 Carretta ..... D19/77  
 7,246,568 B1 7/2007 Cheung  
 D566,430 S \* 4/2008 Austin ..... D6/675  
 7,445,833 B2 11/2008 Polley

D655,425 S \* 3/2012 Wauhop ..... D25/113  
 D666,772 S \* 9/2012 Park ..... D28/59  
 8,287,437 B1 10/2012 Rovere  
 D723,618 S \* 3/2015 Rowe ..... D19/86  
 D728,695 S \* 5/2015 Chase ..... D21/471  
 D737,909 S \* 9/2015 Kubitz ..... D21/686  
 D740,378 S \* 10/2015 Walsh-Gomez ..... D21/662  
 D740,442 S \* 10/2015 Cohen ..... D25/1  
 D745,276 S \* 12/2015 Wang ..... D3/273  
 D745,978 S \* 12/2015 Cohen ..... D25/1  
 D754,266 S \* 4/2016 Ross ..... D21/686  
 D754,267 S \* 4/2016 Ross ..... D21/686  
 D755,910 S \* 5/2016 Randazzo ..... D21/686  
 9,415,298 B1 \* 8/2016 Statzer ..... A63F 9/0413  
 D778,167 S \* 2/2017 Mochizuki ..... D9/432  
 2005/0124468 A1 6/2005 Wong  
 2012/0049460 A1 3/2012 Little  
 2013/0023392 A1 \* 1/2013 Glickfield ..... A63B 17/04  
 482/142  
 2013/0137558 A1 \* 5/2013 Ross ..... A63B 5/16  
 482/142  
 2014/0150170 A1 6/2014 Kim  
 2014/0329044 A1 11/2014 Fantin  
 2015/0231436 A1 \* 8/2015 Januszek ..... A63B 21/00047  
 482/142  
 2015/0284526 A1 10/2015 Yoshida

OTHER PUBLICATIONS

Plyosoft Box by escape dated no date given. Found online [Sep. 28, 2016] <http://www.escapefitness.com/uk/new-products/plyosoft>.  
 Torque Fitness by Ironcompany dated no date given. Found online [Mar. 1, 2017] [https://www.amazon.com/Torque-Fitness-TRIPLEPLYO-Soft-Plyo/dp/B01KYMSMHQ/ref=s9u\\_simh\\_gw\\_i1?\\_encoding=UTF8&fpl=fresh&pf\\_rd\\_m=ATVPDKIKX0DER&pf\\_rd\\_s=&pf\\_rd\\_r=YGR8N980EG10JY3MM53A&pf\\_rd\\_t=36701&pf\\_rd\\_p=1cded295-23b4-40b1-8da6-7c1c9eb81d33&pf\\_rd\\_i=desktop](https://www.amazon.com/Torque-Fitness-TRIPLEPLYO-Soft-Plyo/dp/B01KYMSMHQ/ref=s9u_simh_gw_i1?_encoding=UTF8&fpl=fresh&pf_rd_m=ATVPDKIKX0DER&pf_rd_s=&pf_rd_r=YGR8N980EG10JY3MM53A&pf_rd_t=36701&pf_rd_p=1cded295-23b4-40b1-8da6-7c1c9eb81d33&pf_rd_i=desktop).  
 UK Search Report in Priority GB Application No. GB1402606.6. <http://www.roguefitness.com/rogue-flat-pack-games-box>; (Rogue Fitness) 3-in-1 Plyo box, dated at least Apr. 16, 2012. <http://www.mansionathletics.com/soft-plyoboxes-24-inc-ta224-hurdles-plyometrics.html>; (Mansion Athletics) Polyethylene plyo boxes, see catalog page for images. Dated Sep. 26, 2013.

\* cited by examiner

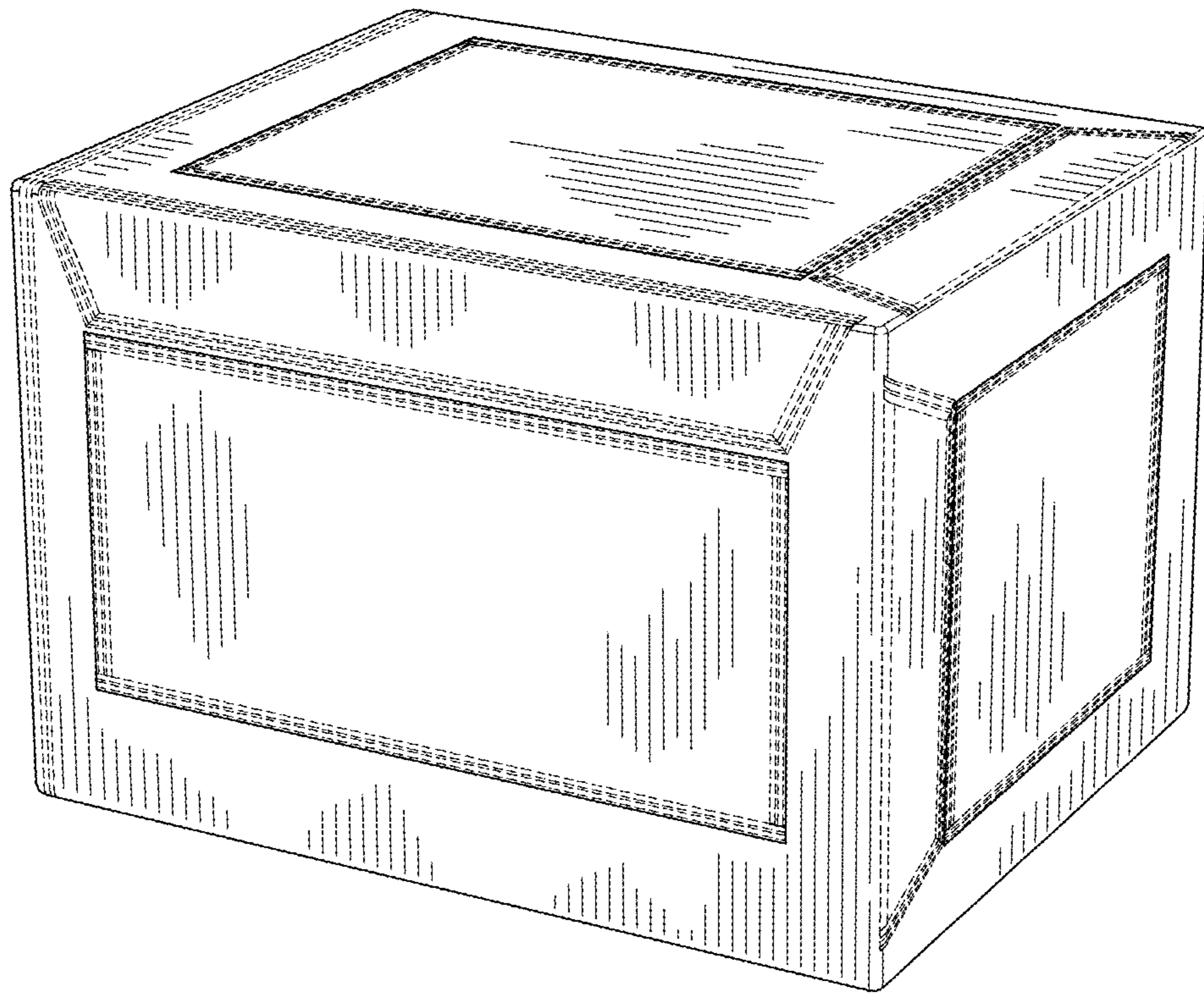


Fig. 1

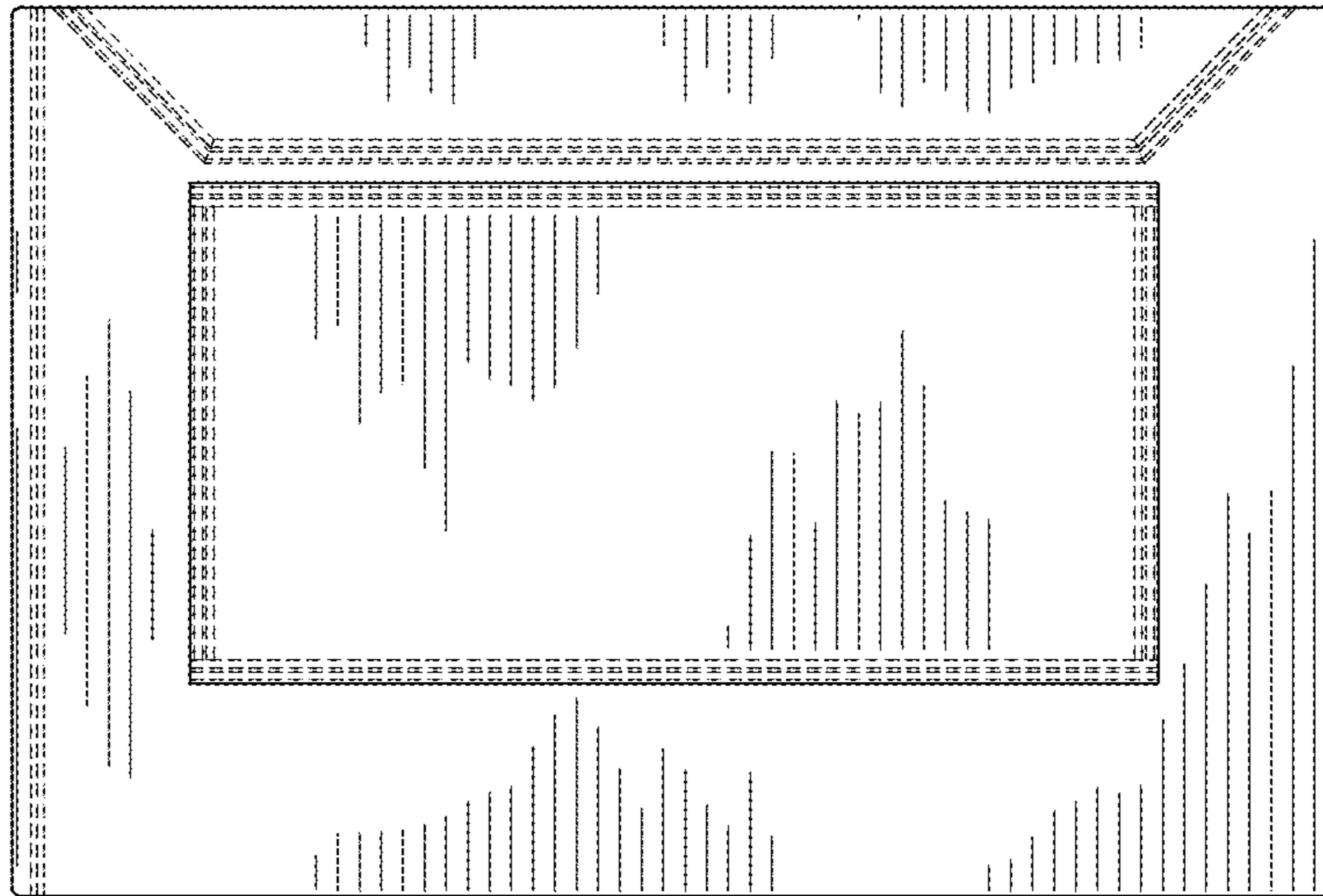


Fig. 2

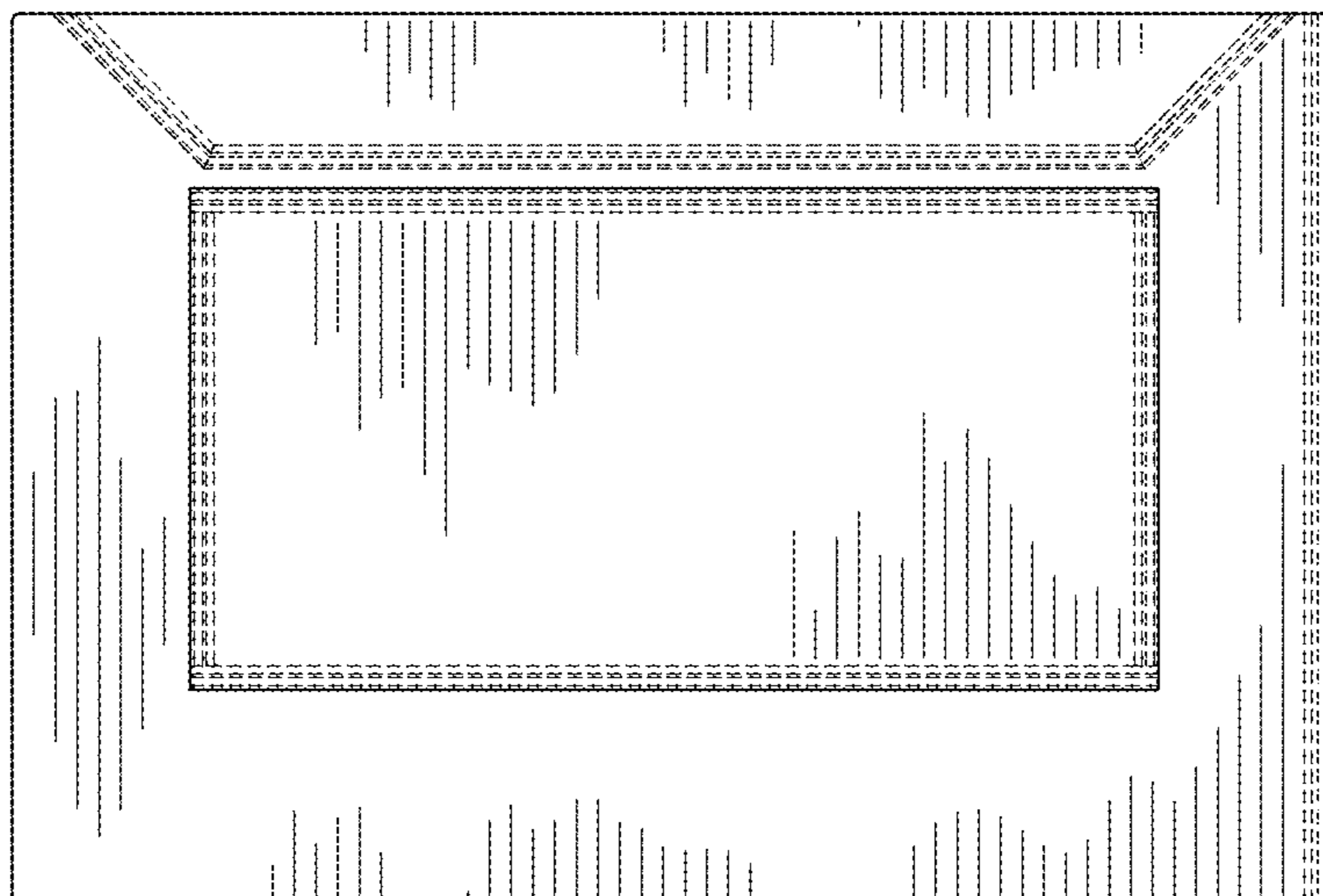


Fig. 3

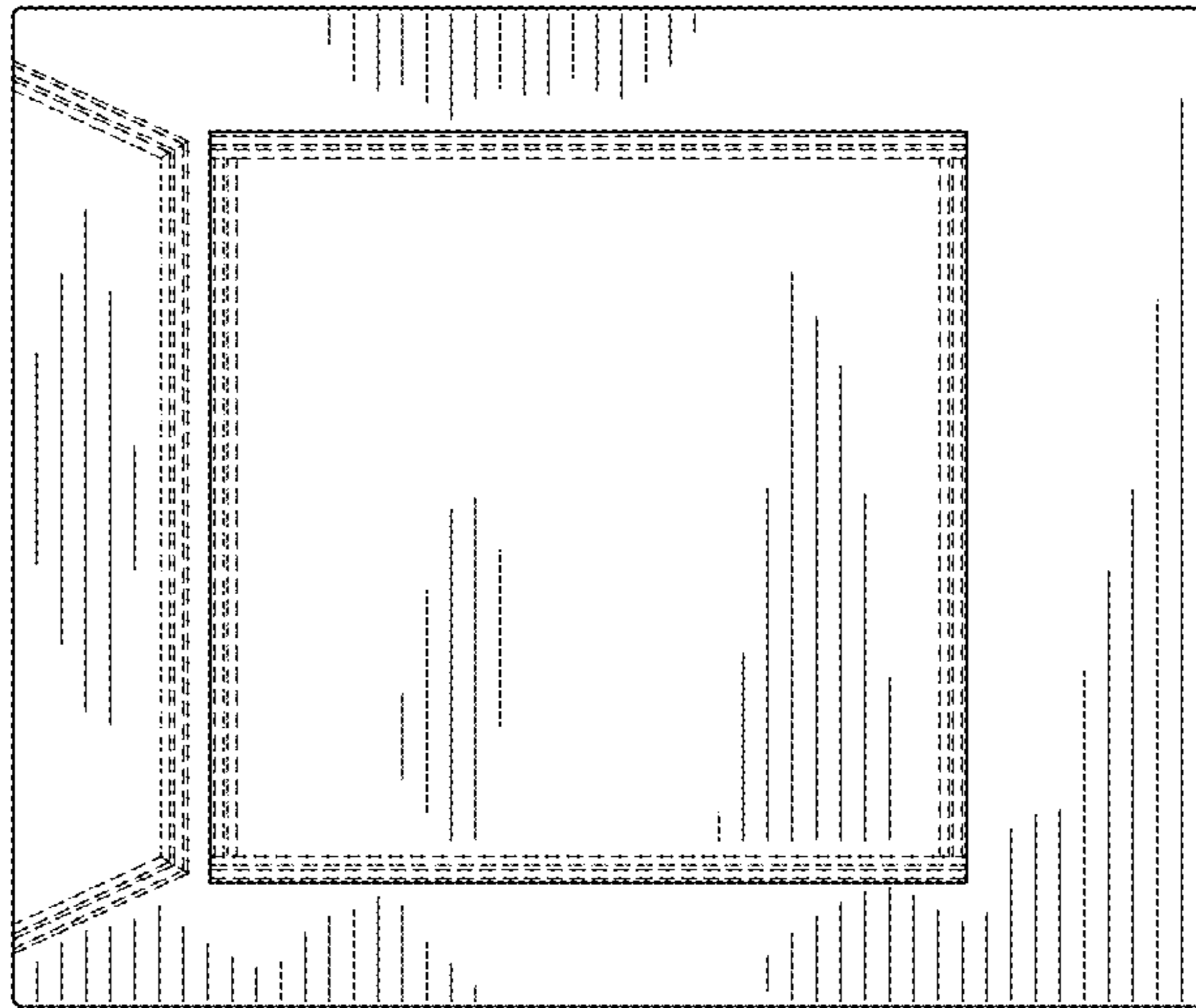


Fig. 4

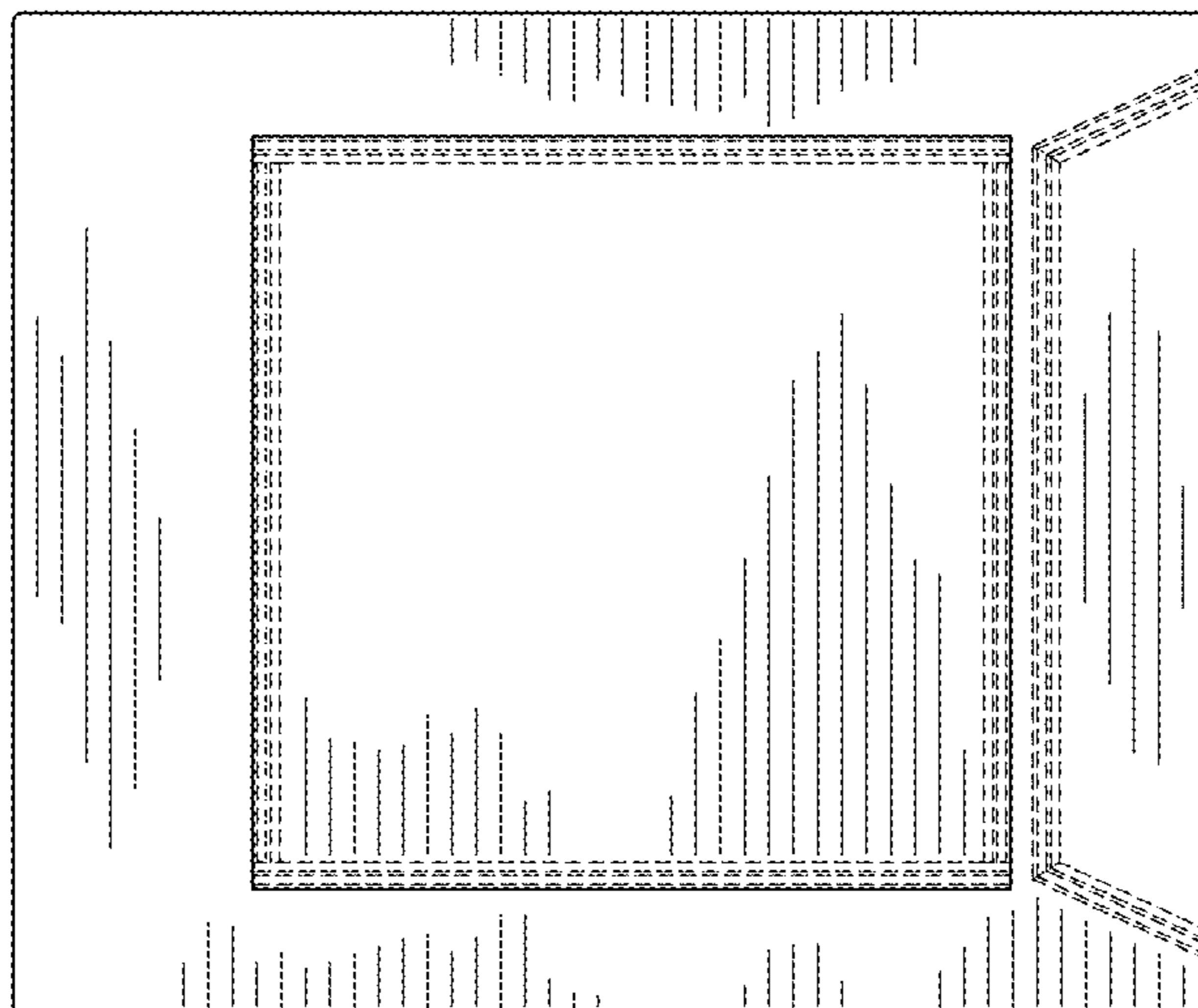


Fig. 5

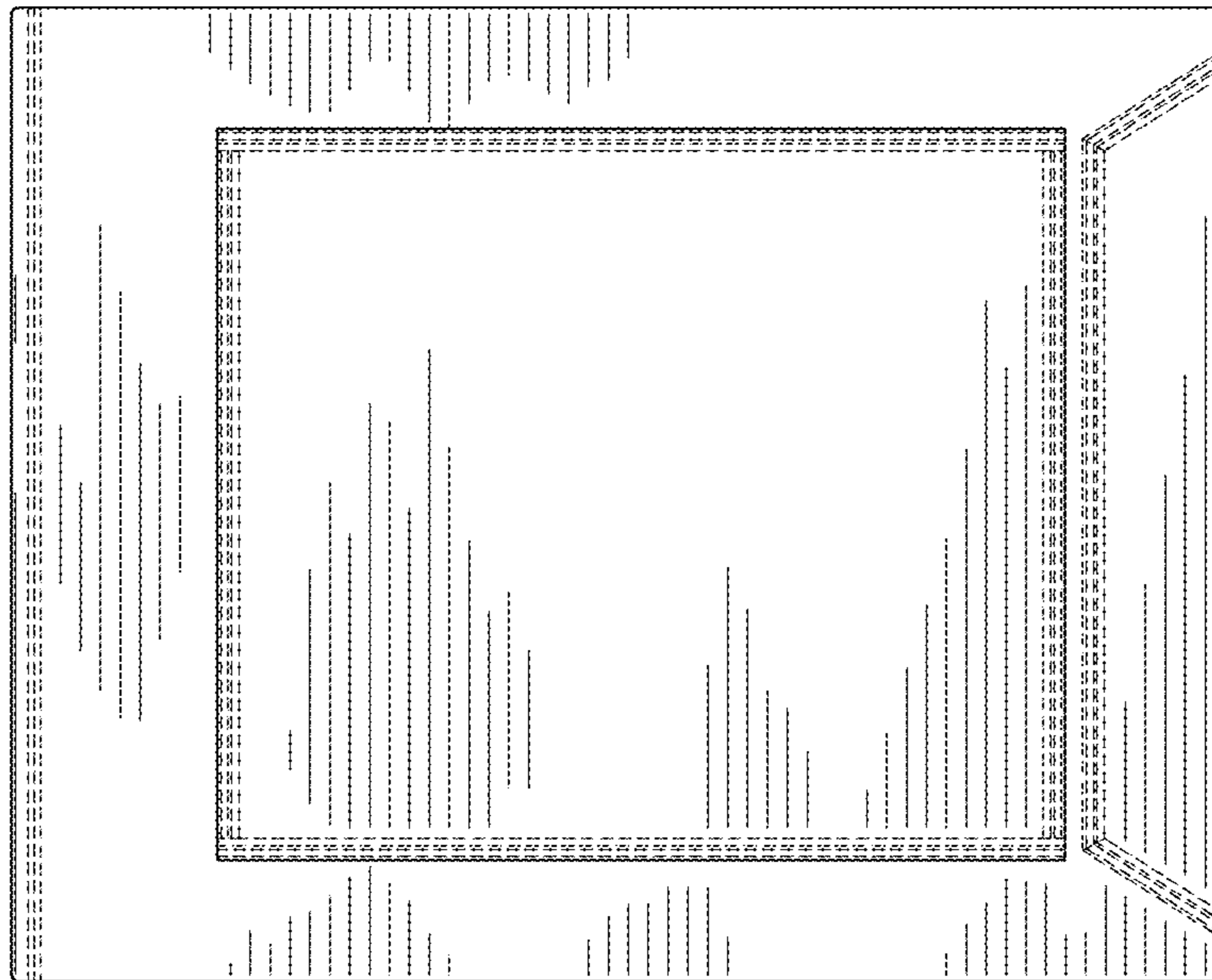


Fig. 6

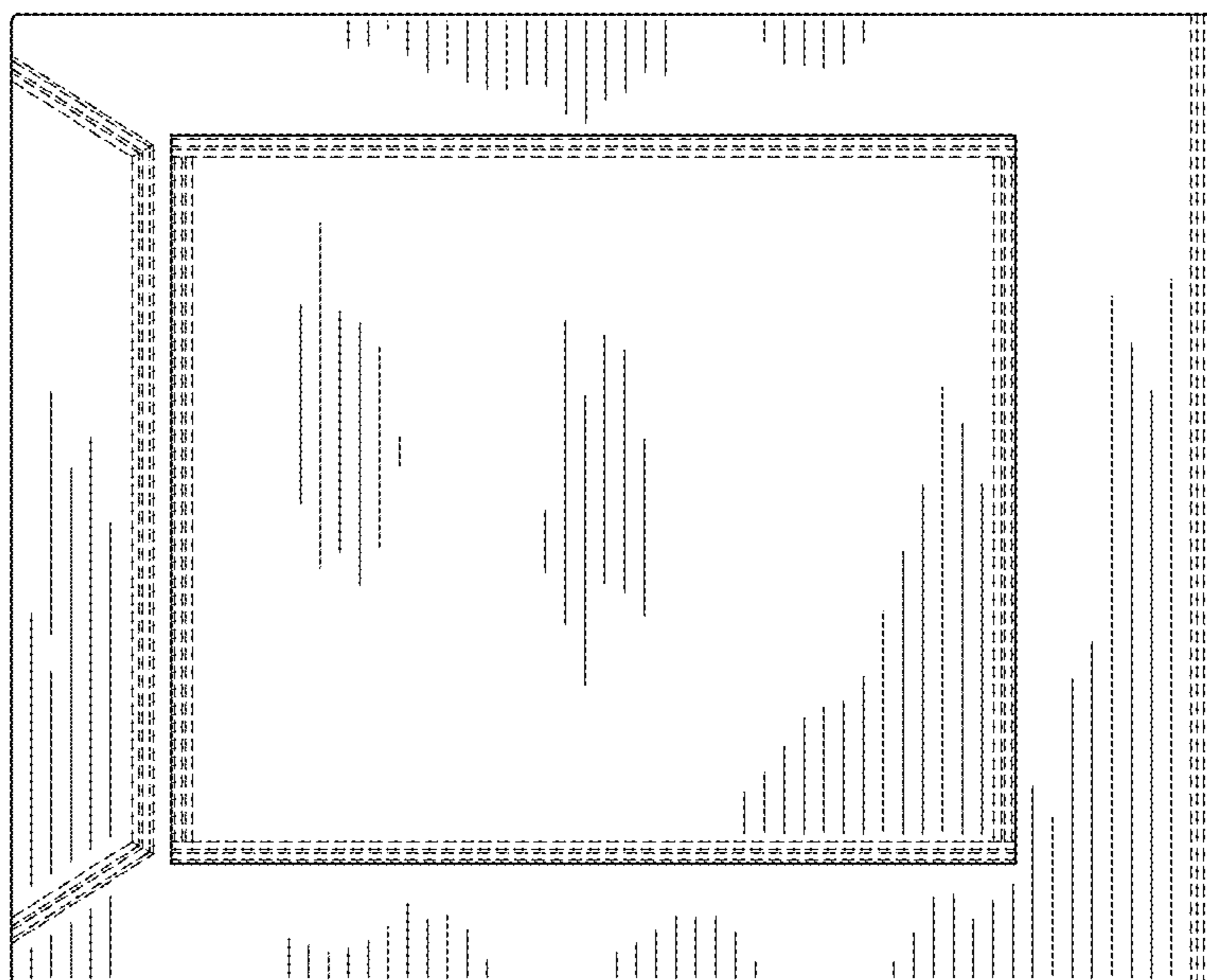


Fig. 7