



US00D807443S

(12) **United States Design Patent**
Hsieh

(10) **Patent No.:** **US D807,443 S**
(45) **Date of Patent:** **** Jan. 9, 2018**

(54) **FOLDABLE STATIONARY EXERCISE BIKE**

(71) Applicant: **Paul Hsieh**, City of Industry, CA (US)

(72) Inventor: **Paul Hsieh**, City of Industry, CA (US)

(**) Term: **15 Years**

(21) Appl. No.: **29/590,215**

(22) Filed: **Jan. 9, 2017**

(51) **LOC (11) Cl.** **21-02**

(52) **U.S. Cl.**
USPC **D21/667**

(58) **Field of Classification Search**
USPC D21/663, 667, 666, 697, 694, 665, 668,
D21/664, 690, 676; 482/57, 62, 111,
482/139, 145, 60, 51, 123, 72, 61, 58, 9;
74/502.4, 502.6, 594.2, 594.1, 48;
D12/178, 411, 345; D23/382, 381, 378,
D23/412, 411; D13/115; D15/7
CPC ... A63B 22/0605; A63B 21/225; A63B 69/16;
A63B 2225/09; A63B 21/015; A63B
2022/0652; A63B 22/0012
See application file for complete search history.

(56) **References Cited**

U.S. PATENT DOCUMENTS

D218,623 S *	9/1970	Margolies	482/57
D224,329 S *	7/1972	Hjelmquist	482/57
D225,070 S *	11/1972	Proctor	482/57
D233,160 S *	10/1974	Jouk	D21/663
D251,309 S *	3/1979	Nelson	D21/667
D279,206 S *	6/1985	Smith	D21/663
D280,227 S *	8/1985	LaMarsh	D21/665
D281,711 S *	12/1985	Hiivola	D21/667
D291,822 S *	9/1987	Liu	D21/663
D307,782 S *	5/1990	Birrell	D21/663
D344,776 S *	3/1994	Lertyaovarit	D21/667
D372,060 S *	7/1996	Wang	D21/666
D377,672 S *	1/1997	Wanzer	D21/663
D381,379 S *	7/1997	Lee	D21/663
D384,380 S *	9/1997	Wang	D21/667

D401,644 S *	11/1998	Chen	D21/663
D406,288 S *	3/1999	Chen	D21/663
D407,767 S	4/1999	Chang	
5,971,894 A *	10/1999	Chen	A63B 22/0605 482/57
6,039,676 A *	3/2000	Clive	A63B 22/0605 482/57
D429,508 S *	8/2000	Clive	D21/663

(Continued)

OTHER PUBLICATIONS

VirZoom by newatlas dated Jan. 8, 2016. Found online [Oct. 16, 2017] <https://newatlas.com/virzoom-review-exercise-bike-vr-hands-on/41259/>.*

Primary Examiner — Robert M. Spear
Assistant Examiner — Ryan Harvey
(74) *Attorney, Agent, or Firm* — Kirk A. Buhler; Buhler & Associates

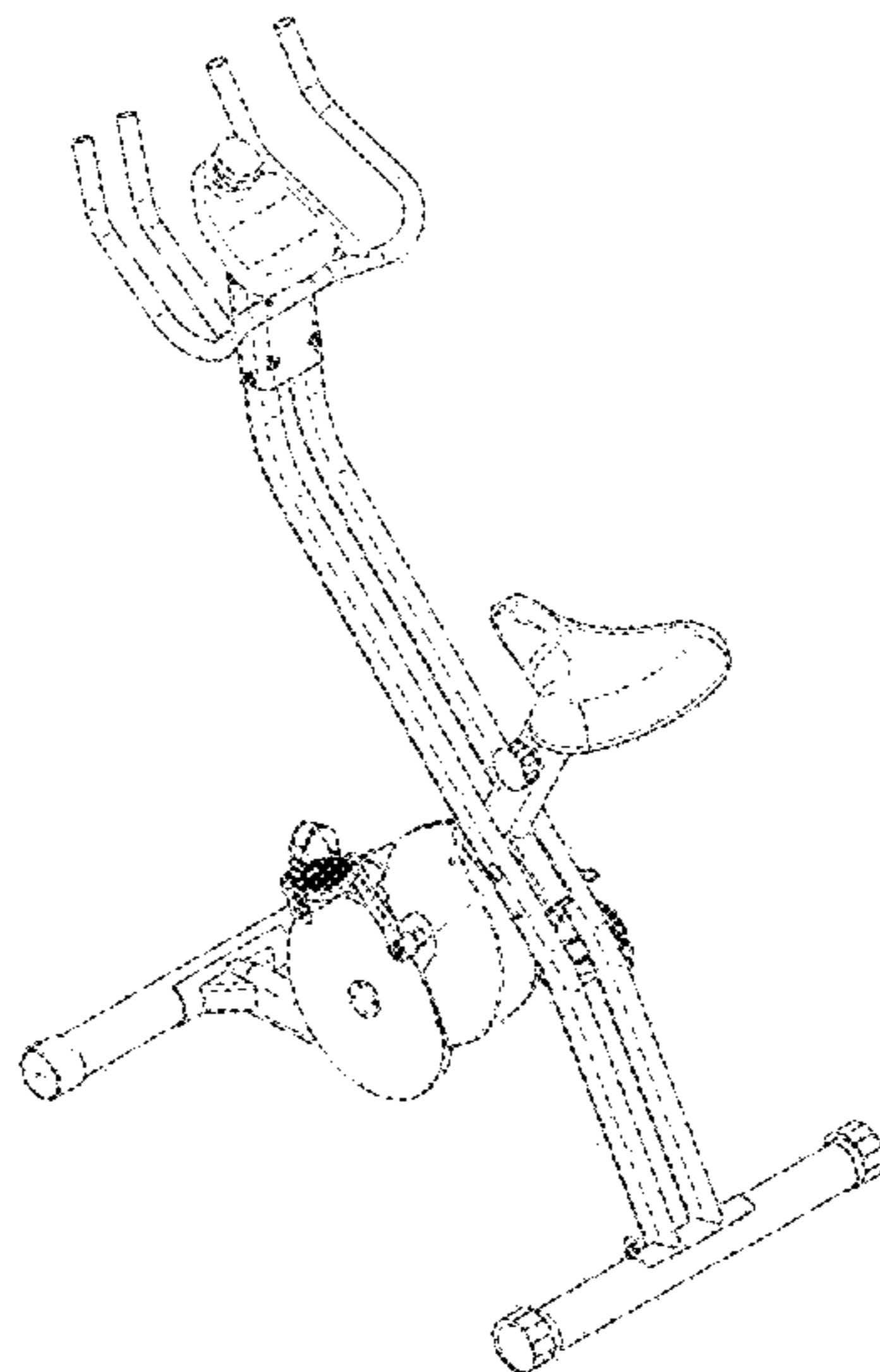
(57) **CLAIM**

The ornamental design for a foldable stationary exercise bike, as shown and described.

DESCRIPTION

FIG. 1 is a rear perspective view for a foldable stationary exercise bike showing my new design; FIG. 2 is a left side view thereof; FIG. 3 is a right side view thereof; FIG. 4 is a front view thereof; FIG. 5 is a back view thereof; FIG. 6 is a top view thereof; FIG. 7 is a bottom view thereof; FIG. 8 is a right side view with the foldable stationary exercise bike folded, and, FIG. 9 is a front perspective view. The broken line showing of portions of the stationary exercise bike depicts environment and forms no part of the claim.

1 Claim, 5 Drawing Sheets



(56)

References Cited

U.S. PATENT DOCUMENTS

D430,240 S * 8/2000 Chang D21/663
6,273,845 B1 * 8/2001 Liou A63B 21/0051
188/164
D459,775 S 7/2002 Chen
6,569,063 B2 * 5/2003 Chen A63B 21/0051
482/57
D478,135 S * 8/2003 Mival D21/663
D480,119 S * 9/2003 Chen D21/663
D579,989 S 11/2008 Bingham, Jr. et al.
D615,136 S * 5/2010 Jenkins D21/662
D636,449 S 4/2011 Wu
D636,826 S * 4/2011 Chan D21/663
D643,887 S * 8/2011 Keiser A63B 21/0051
D21/667
D786,368 S * 5/2017 Malek D21/663
9,707,440 B2 * 7/2017 Zeng A63B 22/0012
D797,866 S * 9/2017 Yi-Tzu D21/663
9,750,343 B2 * 9/2017 McBride A47B 83/02
2008/0119334 A1 * 5/2008 Peng A63B 21/0056
482/64
2008/0300113 A1 * 12/2008 Battiston A63B 21/012
482/51
2015/0238805 A1 * 8/2015 Yang A63B 22/0015
482/57
2015/0335936 A1 * 11/2015 Shakespeare A63B 21/0084
482/58
2017/0259111 A1 * 9/2017 Hsieh A63B 22/0605

* cited by examiner

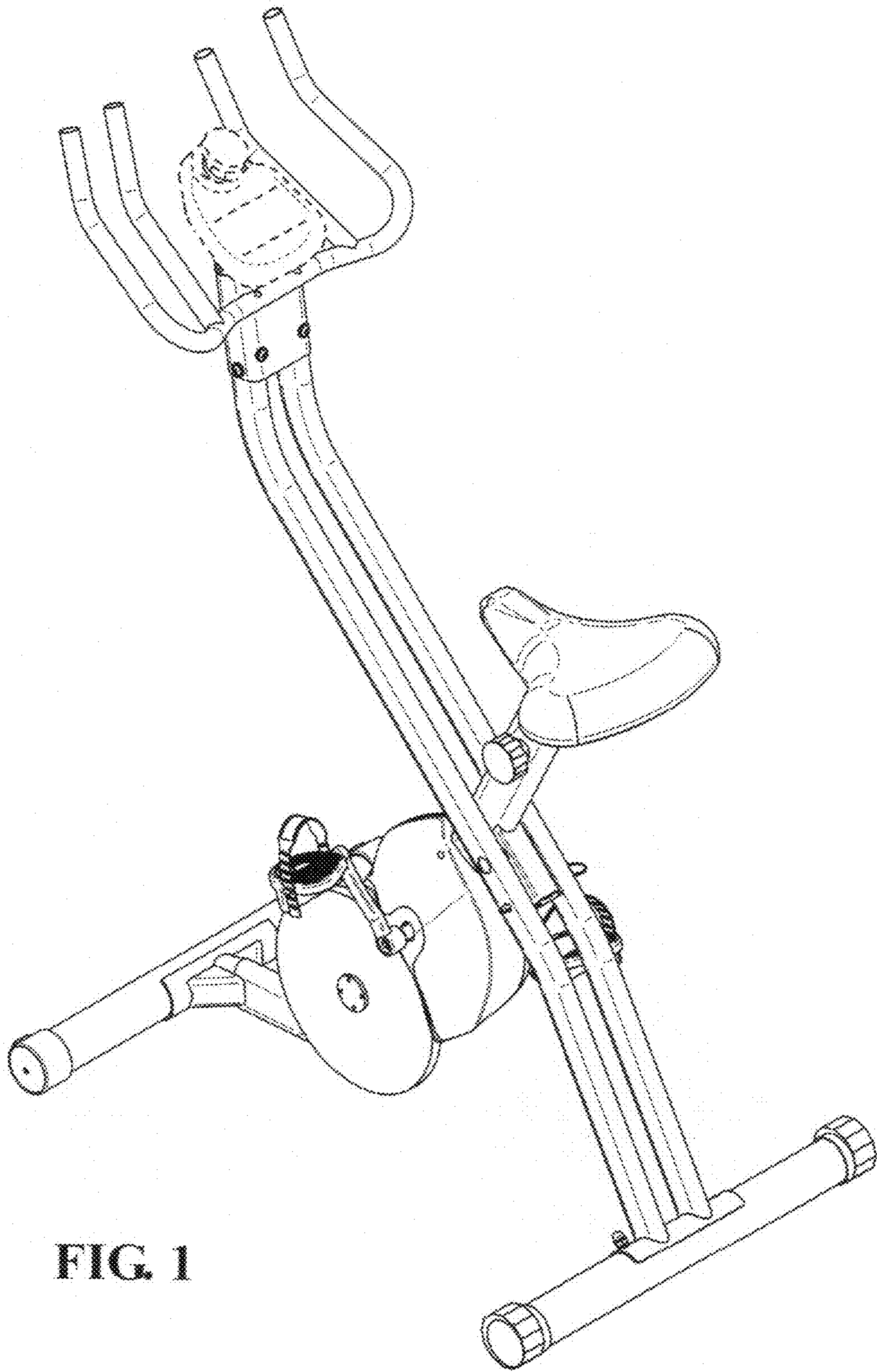


FIG. 1

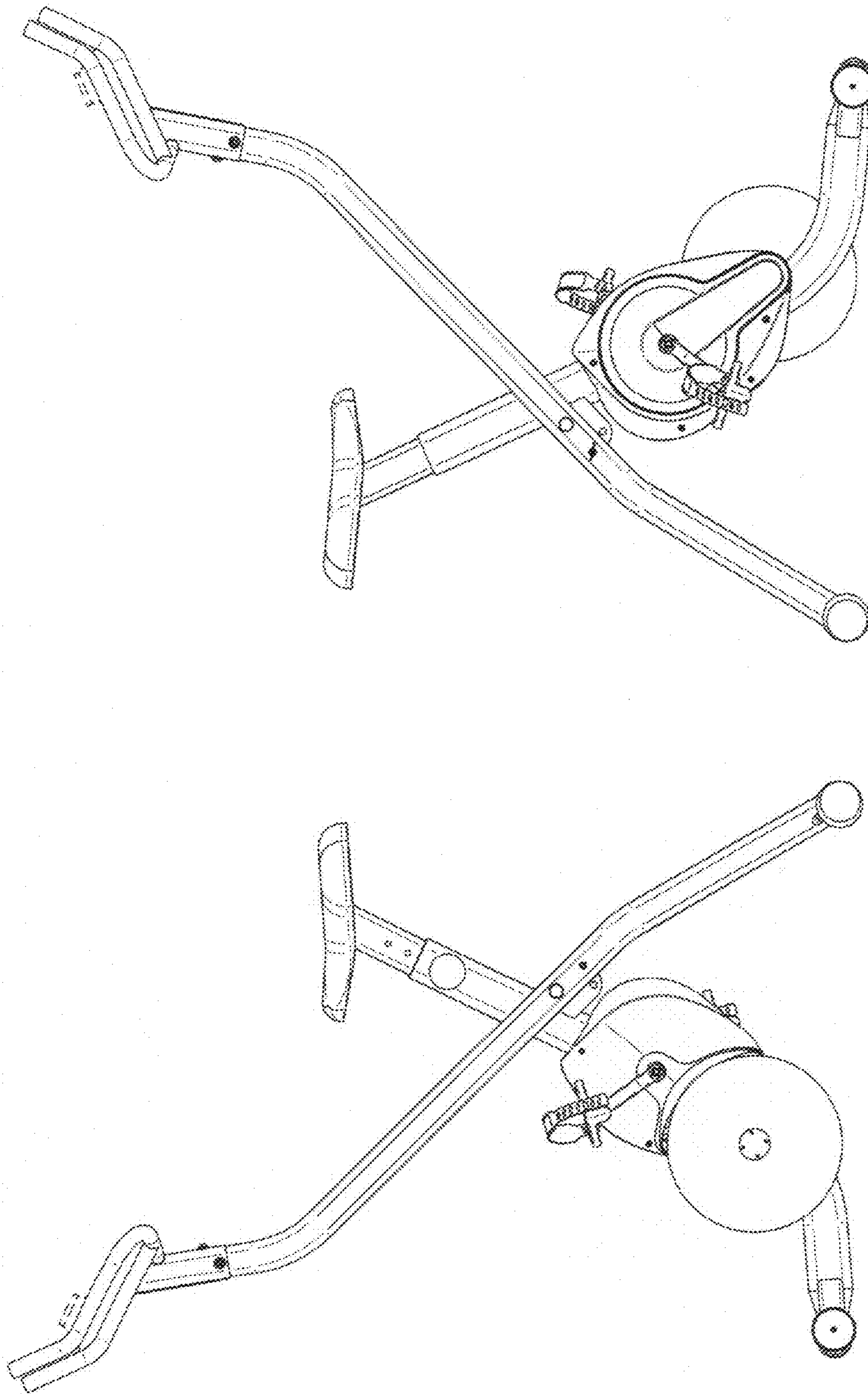


FIG. 3

FIG. 2

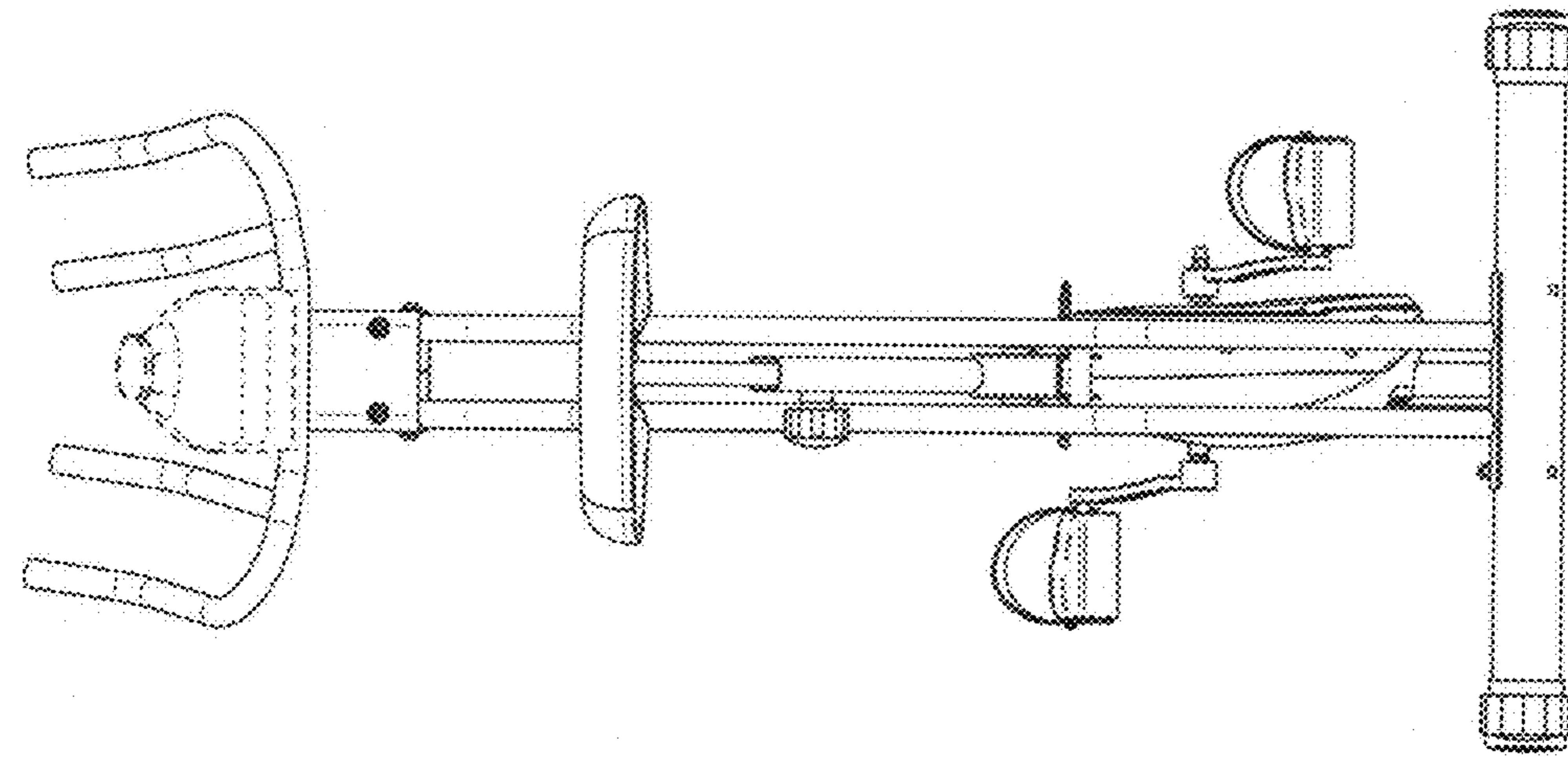


FIG. 5

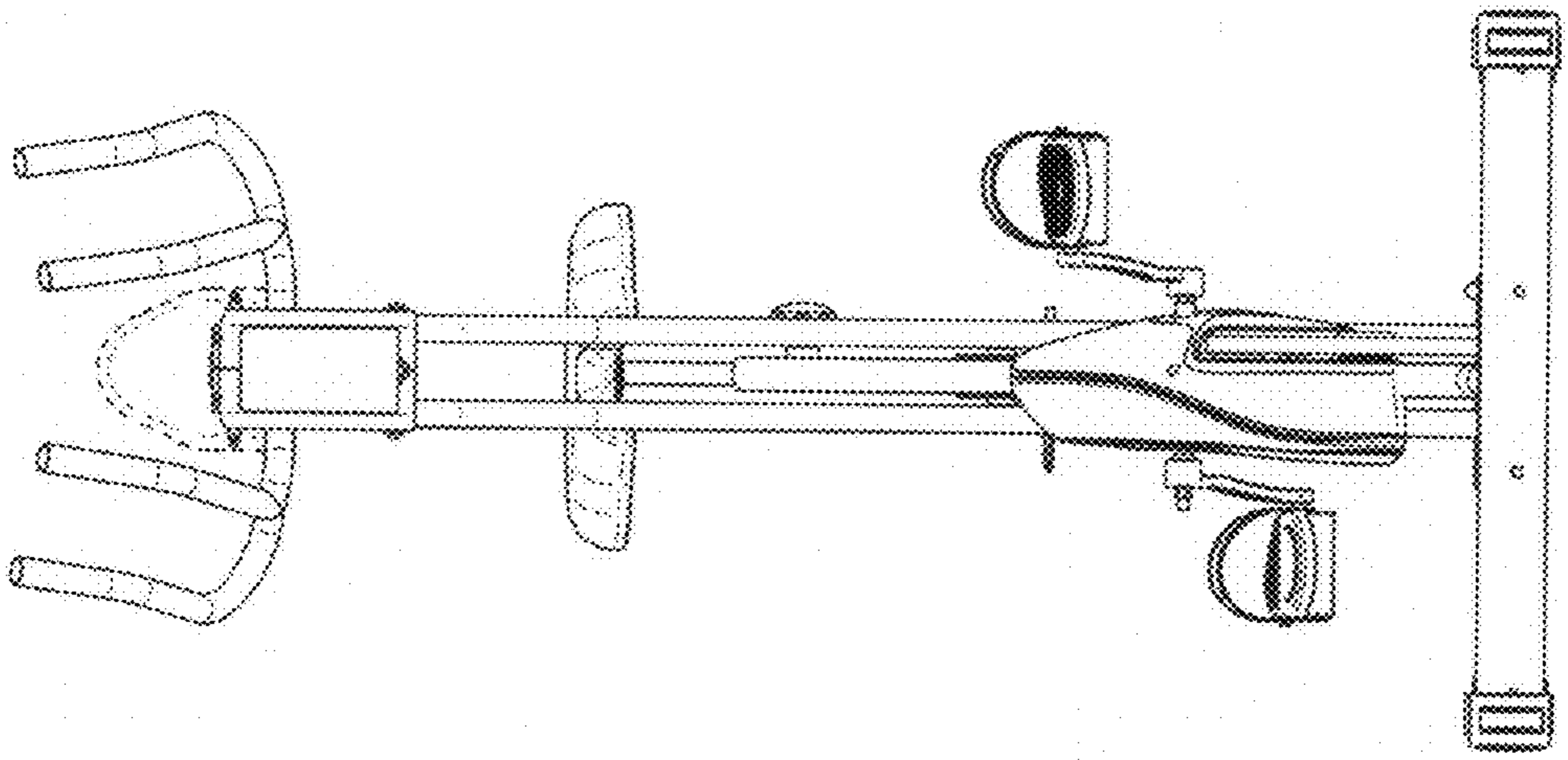


FIG. 4

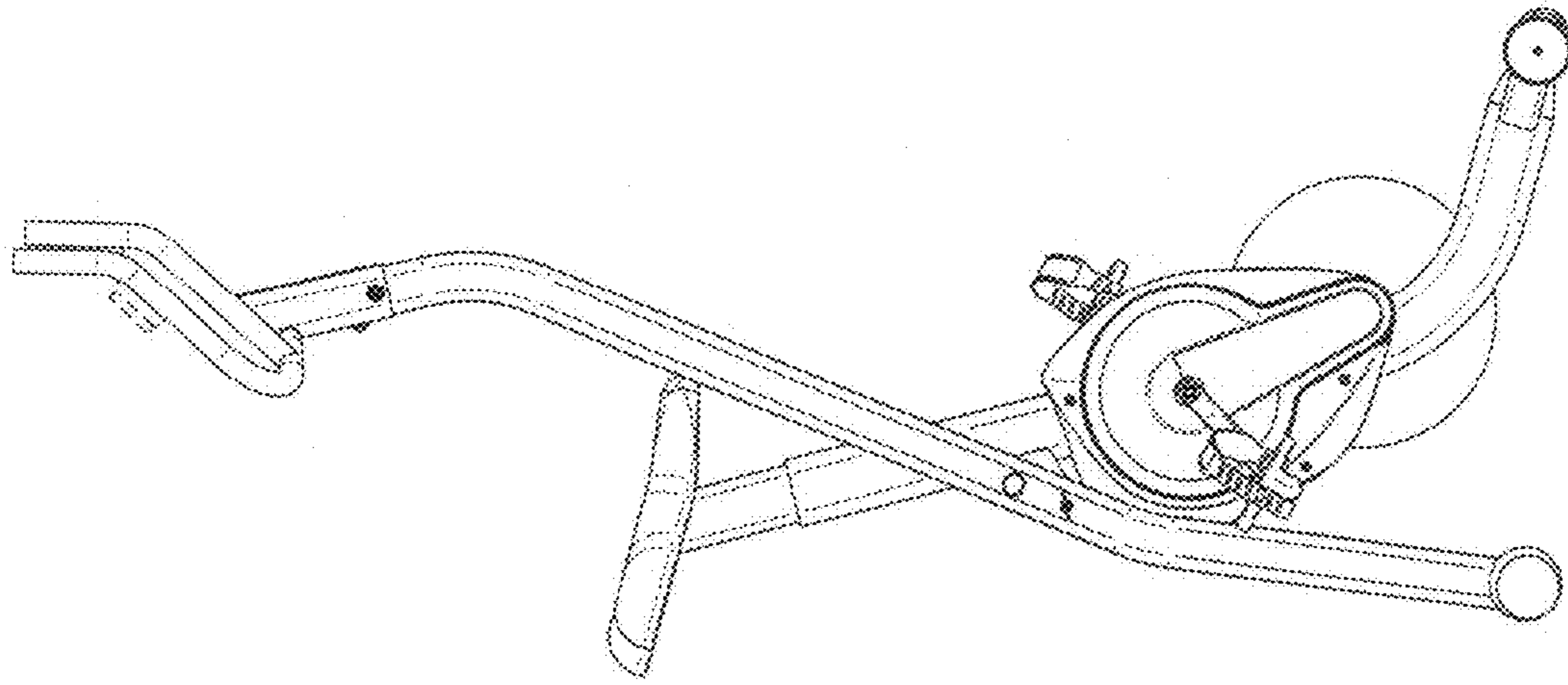


FIG. 8

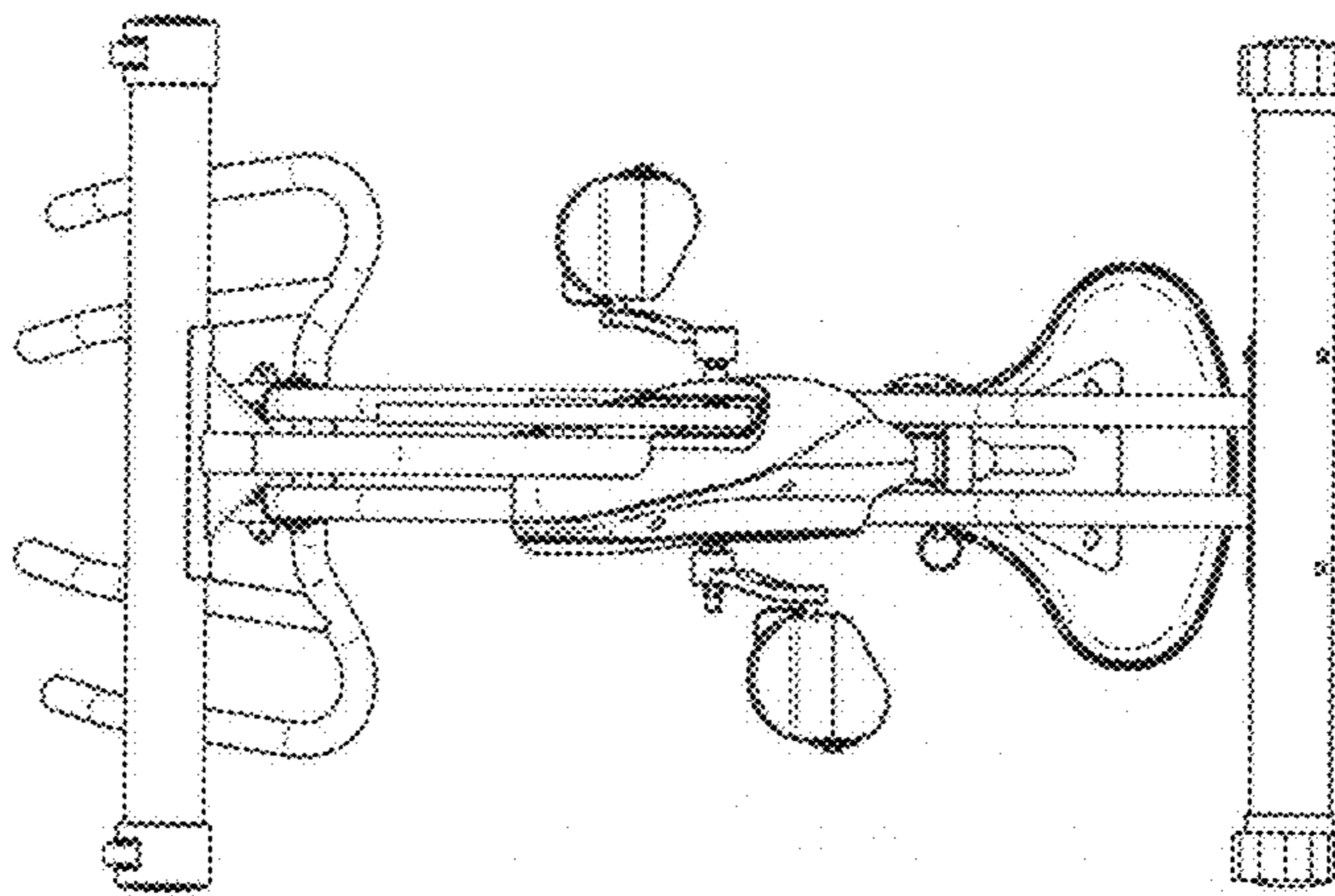


FIG. 7

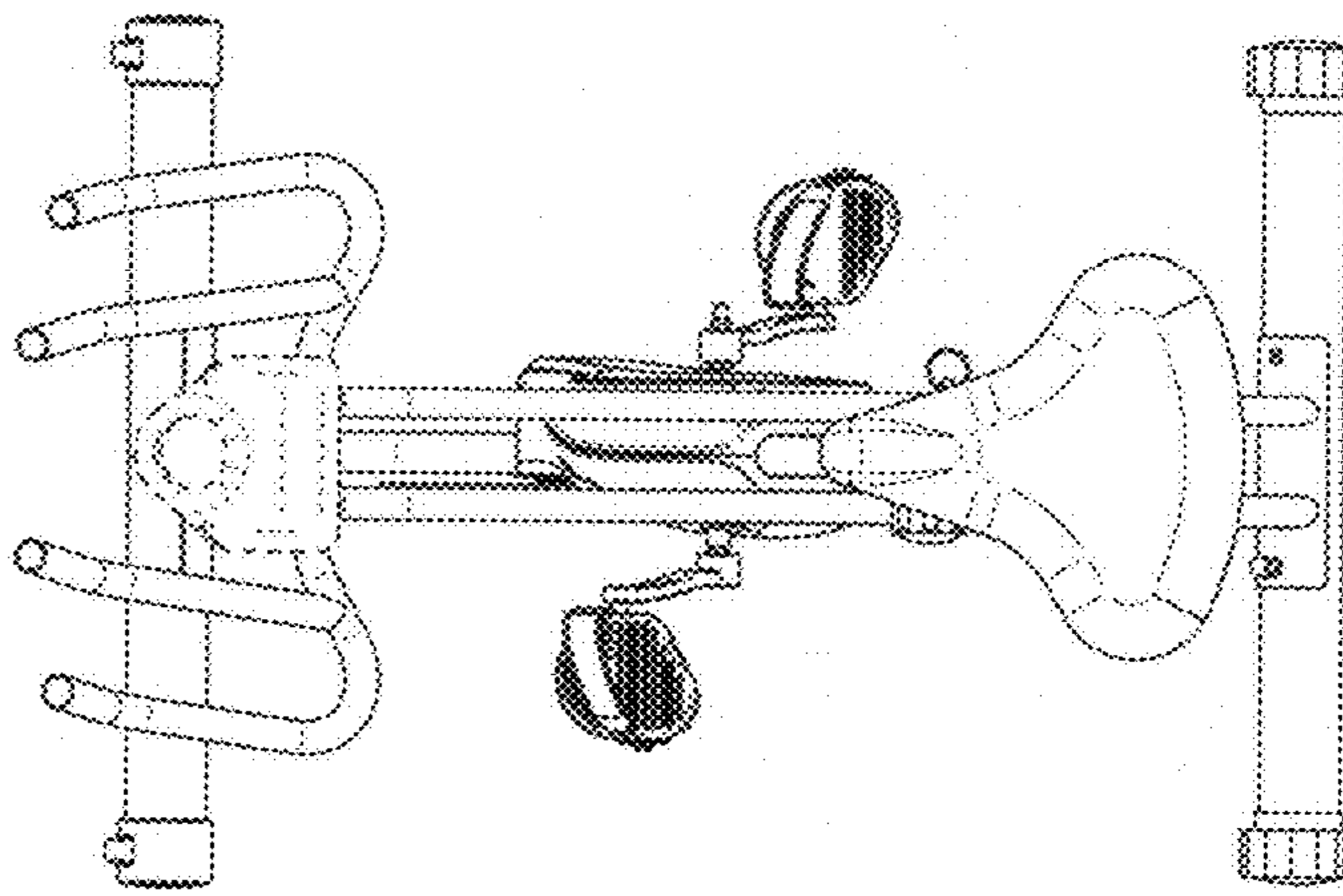


FIG. 6

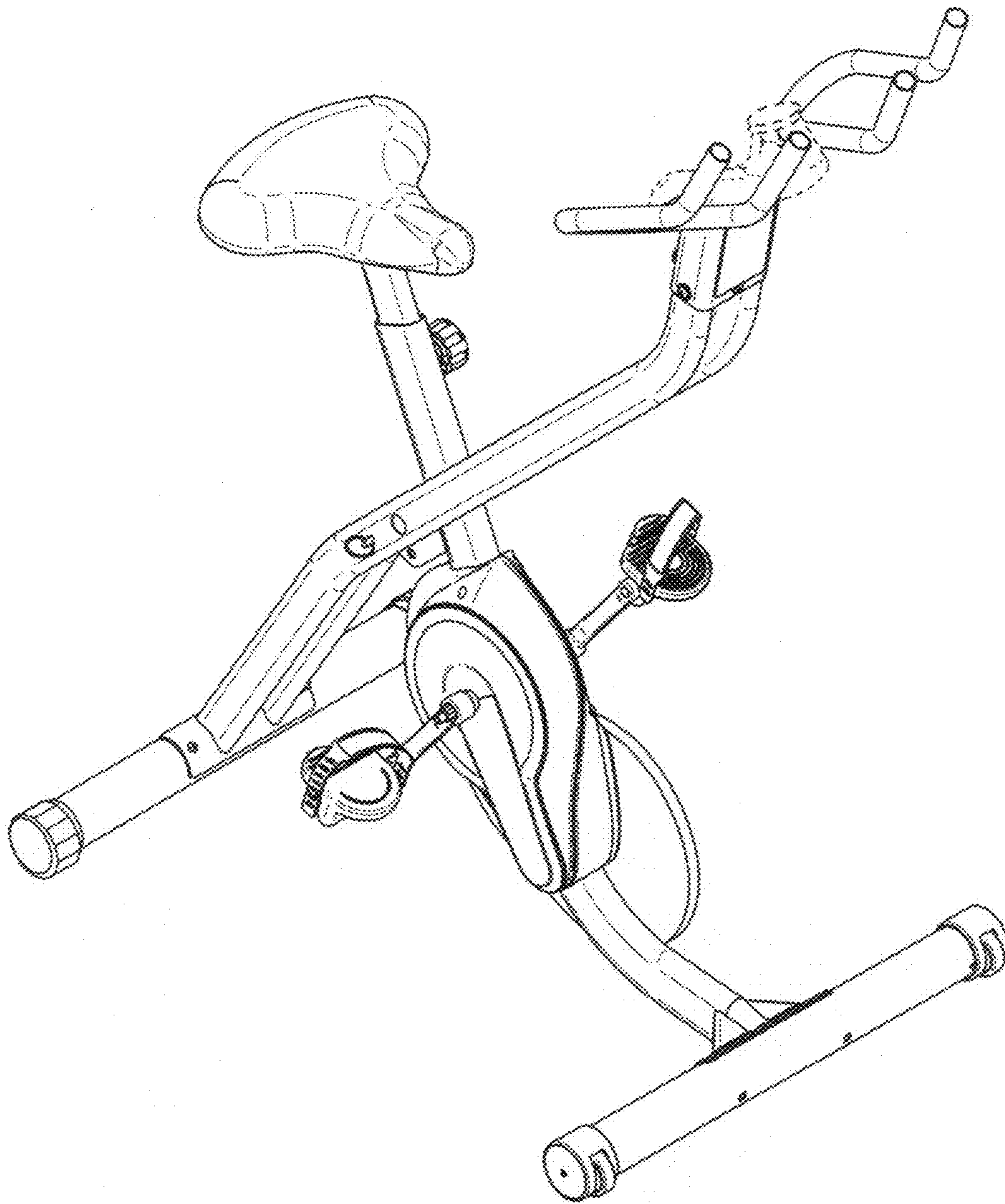


FIG. 9