

US00D807442S

(12) **United States Design Patent**
Ross et al.

(10) **Patent No.:** **US D807,442 S**
(45) **Date of Patent:** **** *Jan. 9, 2018**

(54) **TIRE TRAINER**

(71) Applicant: **Exemplar Design, LLC**, Mason, OH (US)

(72) Inventors: **Adam L. Ross**, Mason, OH (US); **Matt Nelson**, Mankato, MN (US)

(73) Assignee: **Exemplar Design, LLC**, Mason, OH (US)

(*) Notice: This patent is subject to a terminal disclaimer.

(**) Term: **15 Years**

(21) Appl. No.: **29/584,370**

(22) Filed: **Nov. 14, 2016**

(51) **LOC (11) Cl.** **21-02**

(52) **U.S. Cl.**
USPC **D21/662**

(58) **Field of Classification Search**

USPC 114/345, 361; 446/170; 482/106, 108, 482/110, 14, 15, 27, 30, 44, 45, 77, 83, 482/92, 93; D12/202, 316; D21/662, D21/671, 672, 680, 682, 684, 686, 688, D21/692, 694, 770, 798, 801, 803; D24/200; D7/606, 608; D9/763, 767, D9/781; D17/22, 99
CPC A63B 2225/62; A63B 21/4035; A63B 23/0405; A63B 23/047

See application file for complete search history.

(56) **References Cited**

U.S. PATENT DOCUMENTS

D495,014 S *	8/2004	Zabel	D21/662
D546,907 S *	7/2007	Dykgraaf	D21/662
D588,975 S *	3/2009	Spater	D12/202
D642,638 S *	8/2011	Clark	D21/686
D724,162 S *	3/2015	James	A63B 23/1236 D21/688
D751,655 S *	3/2016	Januszek	D21/662
D763,953 S *	8/2016	Kenkman	D17/22
2005/0096195 A1 *	5/2005	Morrisette	A63B 21/06 482/93

* cited by examiner

Primary Examiner — Cynthia Ramirez

Assistant Examiner — Michael Maharajh

(74) *Attorney, Agent, or Firm* — Baker & Hostetler LLP

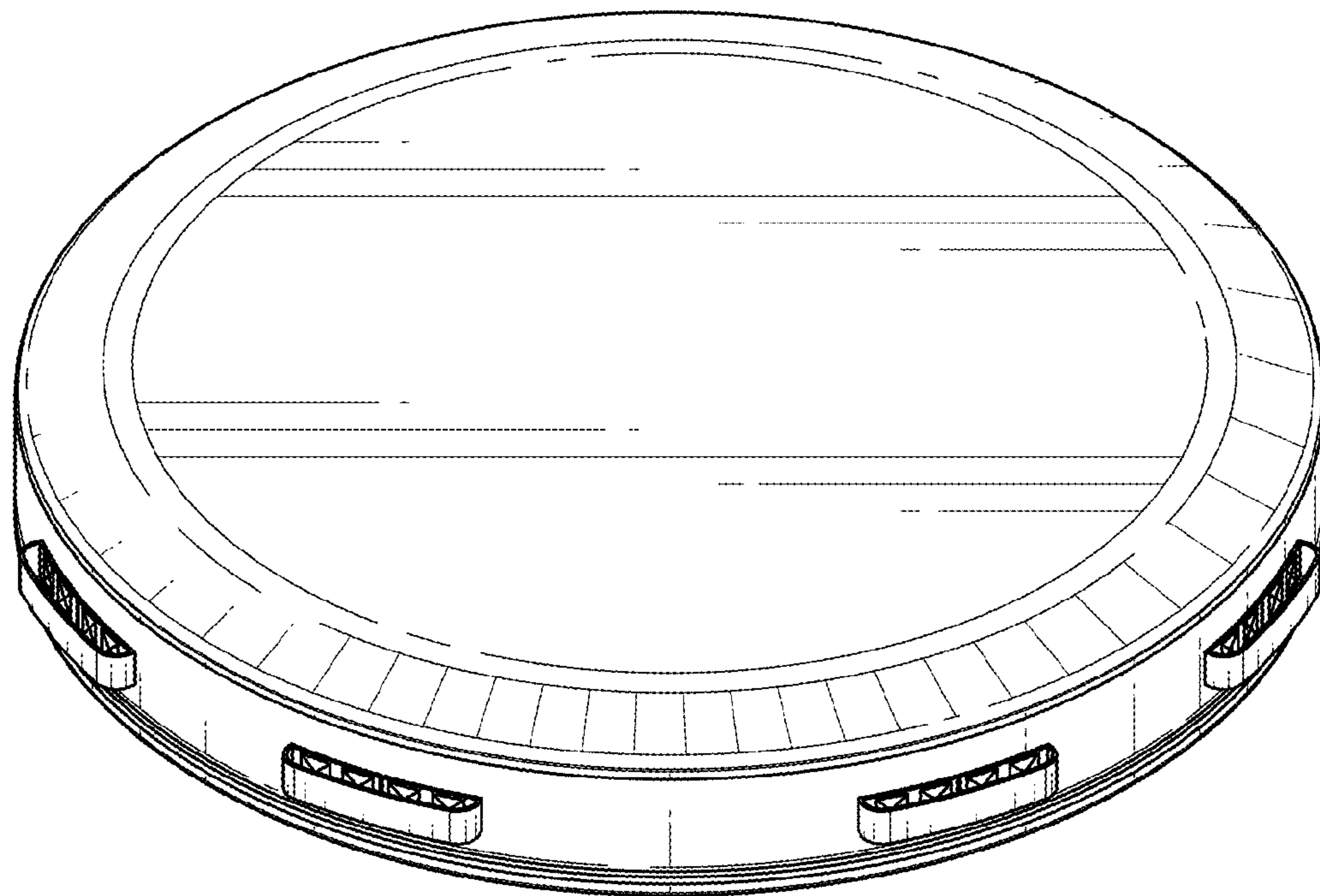
(57) **CLAIM**

I claim the ornamental design for a tire trainer, as shown and described herein.

DESCRIPTION

FIG. 1 is a top perspective view of the tire trainer showing my new design;
FIG. 2 is a front view thereof;
FIG. 3 is a back view thereof;
FIG. 4 is a left side elevation view thereof;
FIG. 5 is a right side elevation view thereof;
FIG. 6 is a top plan view thereof; and,
FIG. 7 is a bottom plan view thereof.

1 Claim, 4 Drawing Sheets



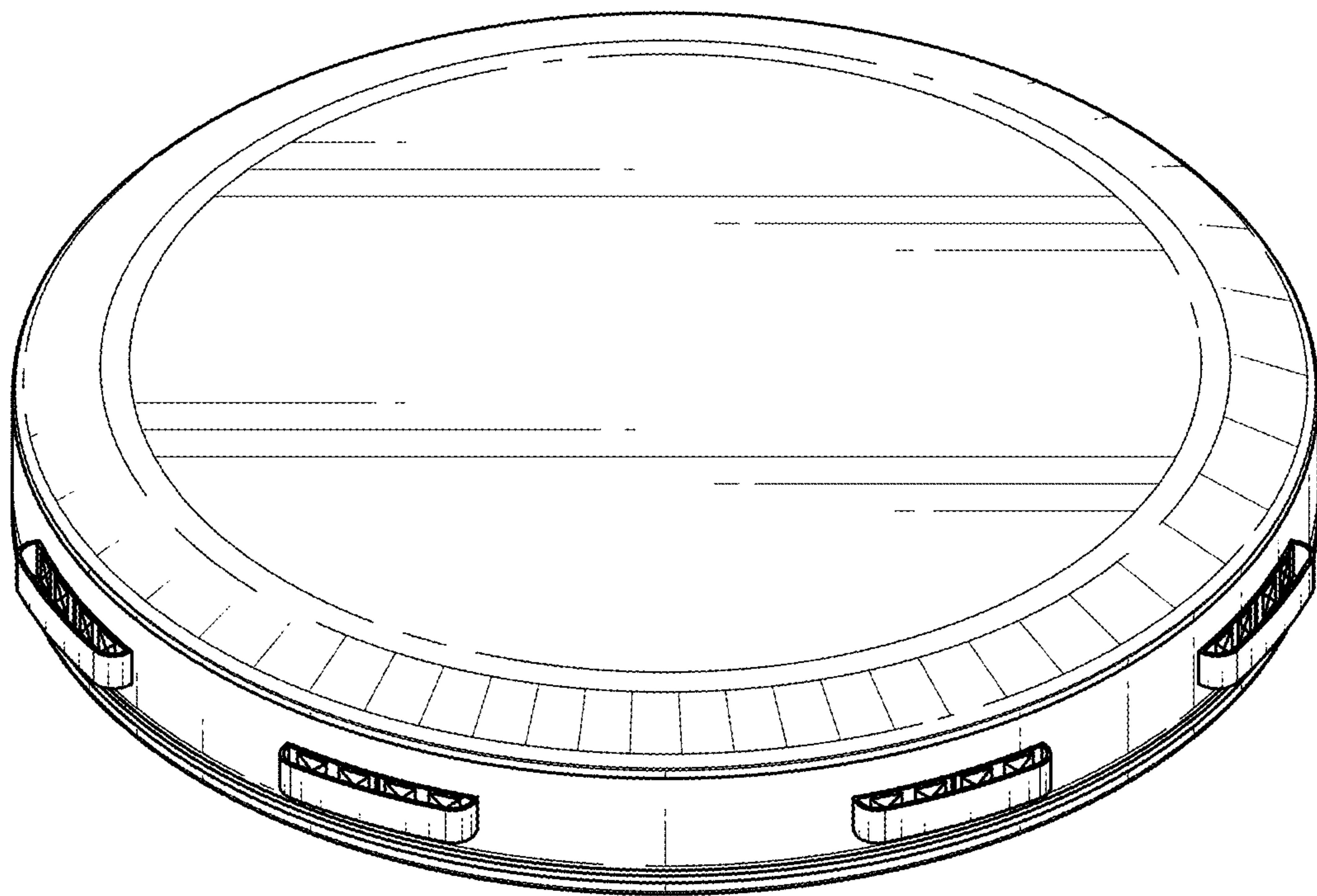


FIG. 1

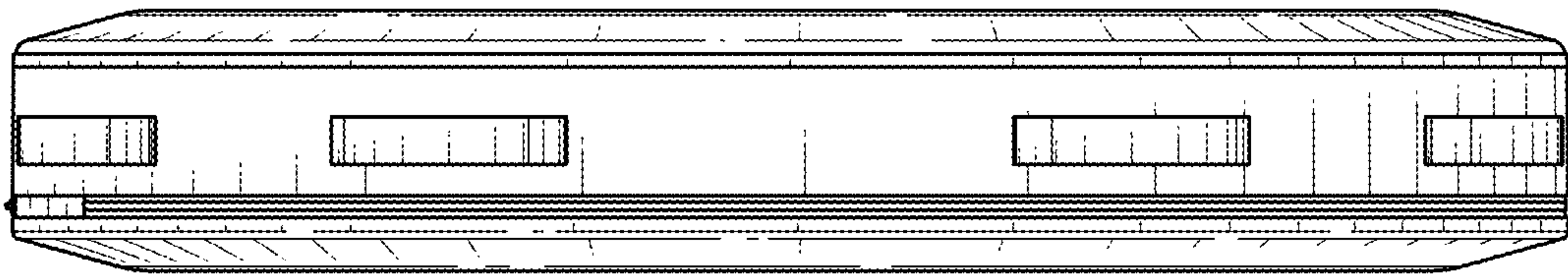


FIG. 2

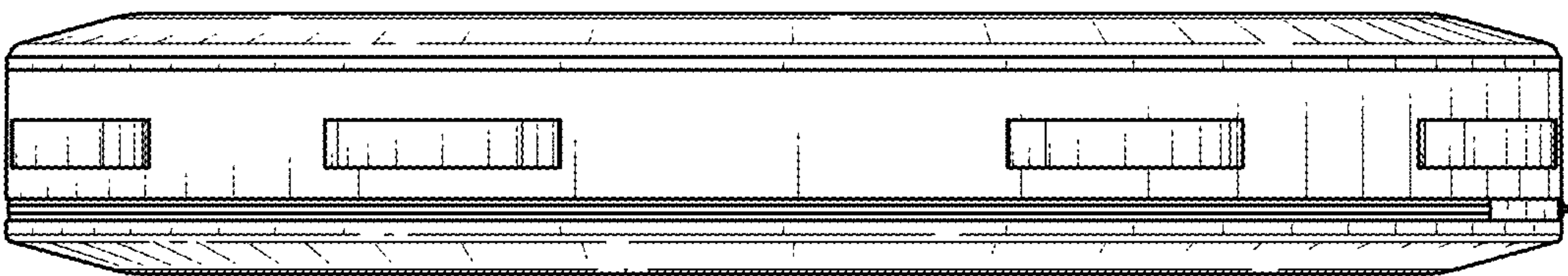


FIG. 3

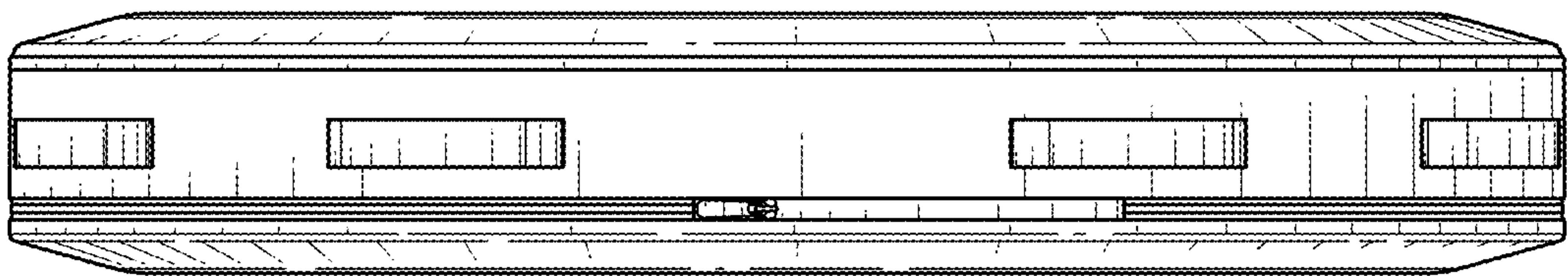


FIG. 4

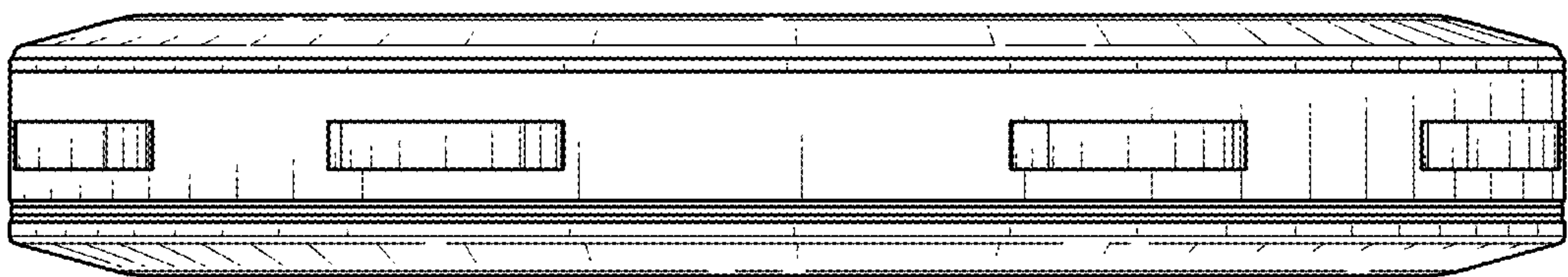


FIG. 5

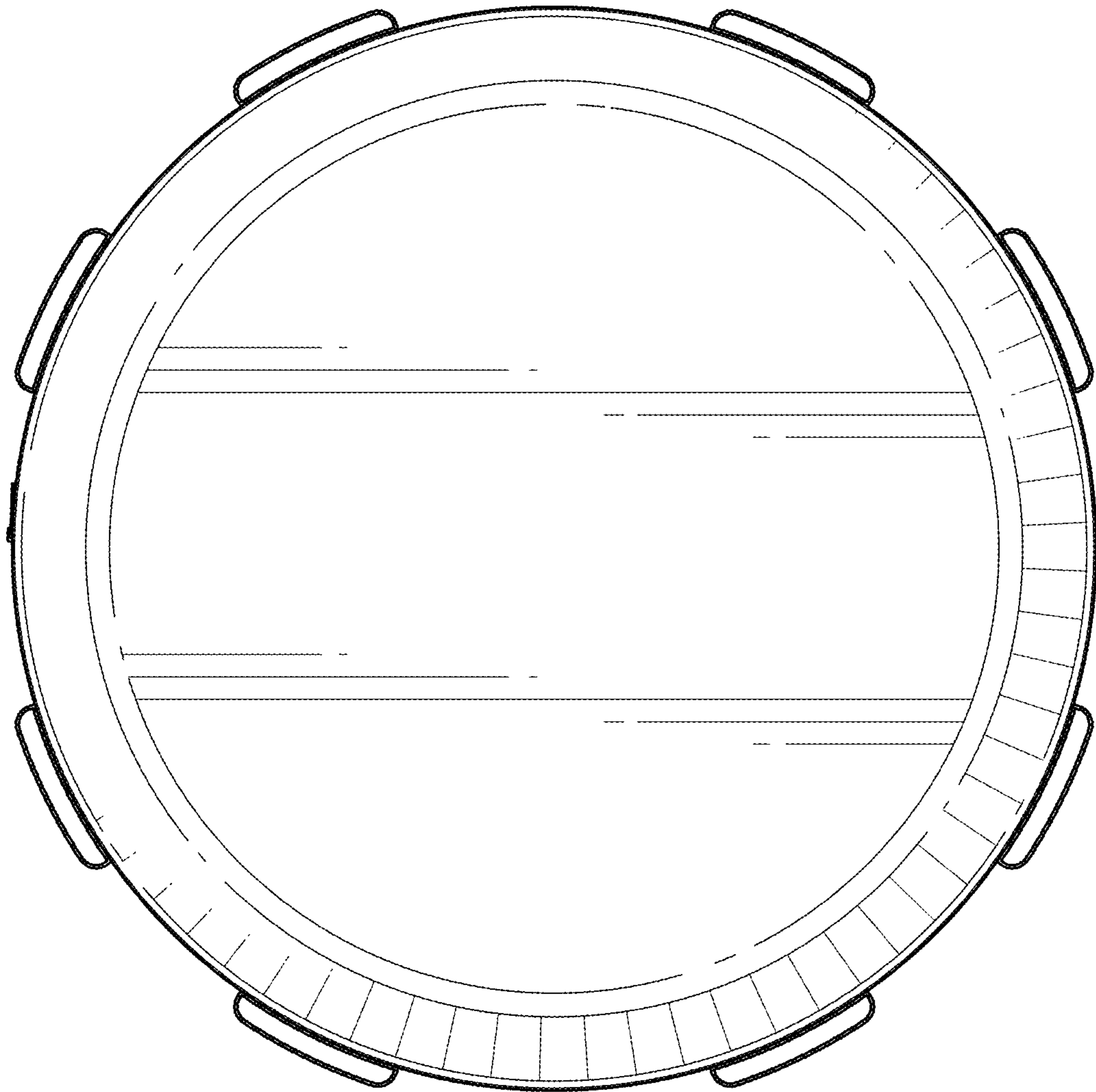


FIG. 6

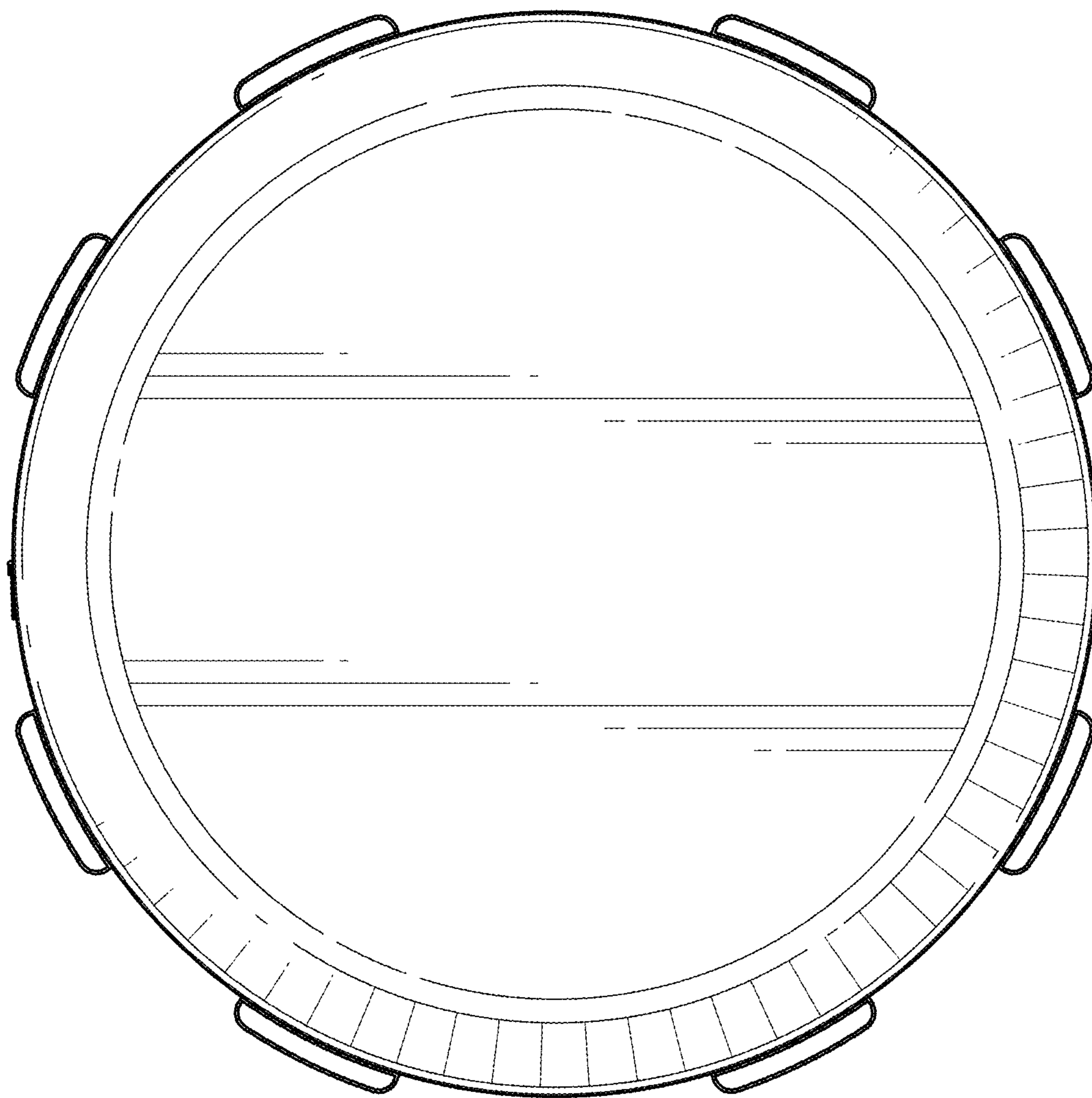


FIG. 7