

US00D807440S

(12) **United States Design Patent**  
**Hu et al.**

(10) **Patent No.:** **US D807,440 S**  
(45) **Date of Patent:** **\*\* Jan. 9, 2018**

(54) **CONNECTOR MODULE**  
(71) Applicants: **Microduino Inc.**, Westlake Village, CA (US); **Meike Technology (Beijing) Ltd.**, Beijing (CN)  
(72) Inventors: **Jian Hu**, Westlake Village, CA (US); **Kejia Pan**, Westlake Village, CA (US); **Zhenshan Wang**, Westlake Village, CA (US); **Xi Li**, Westlake Village, CA (US); **Taiming Suo**, Westlake Village, CA (US); **Bin Feng**, Westlake Village, CA (US)

(73) Assignees: **MICRODUINO INC.**, Westlake Village, CA (US); **MEIKE TECHNOLOGY (BEIJING) LTD.**, Beijing (CN)

(\*\*) Term: **15 Years**

(21) Appl. No.: **29/581,013**

(22) Filed: **Oct. 14, 2016**

(51) **LOC (11) Cl.** ..... **21-01**

(52) **U.S. Cl.**  
USPC ..... **D21/501**; D21/504

(58) **Field of Classification Search**  
USPC ..... D21/484–486, 489, 491, 499–505; D25/113–116, 118  
CPC ..... A63H 33/00; A63H 33/04; A63H 33/06; A63H 33/08; A63H 33/084; A63H 33/086; A63H 33/088; A63H 33/10; A63H 33/105; A63H 33/108  
See application file for complete search history.

(56) **References Cited**

U.S. PATENT DOCUMENTS

4,306,373 A \* 12/1981 Chatani ..... A63H 33/088 446/121  
4,744,780 A \* 5/1988 Volpe ..... A63H 33/086 403/300

4,823,532 A \* 4/1989 Westerburgen ..... A63H 33/08 446/122  
D336,666 S \* 6/1993 Knudsen ..... D21/501  
D342,555 S \* 12/1993 Berggreen ..... D21/501  
(Continued)

*Primary Examiner* — Selina Sikder  
(74) *Attorney, Agent, or Firm* — Anova Law Group, PLLC

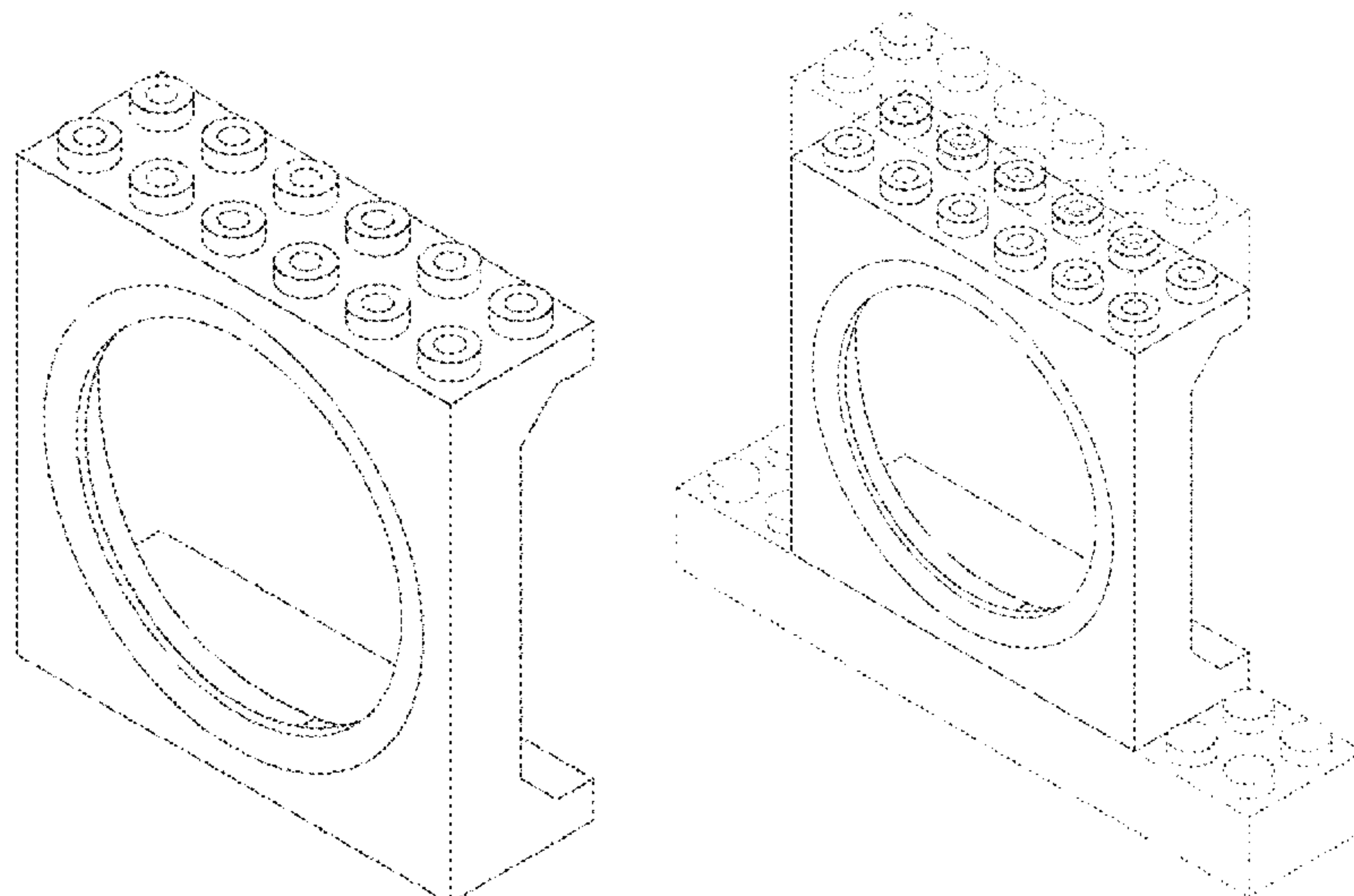
(57) **CLAIM**

The ornamental design for a connector module, as shown and described.

**DESCRIPTION**

FIG. 1 is a front perspective view of a connector module in accordance with the present invention;  
FIG. 2 is a front view of the connector module shown in FIG. 1;  
FIG. 3 is a back view of the connector module shown in FIG. 1;  
FIG. 4 is a left side view of the connector module shown in FIG. 1;  
FIG. 5 is a right side view of the connector module shown in FIG. 1;  
FIG. 6 is a top view of the connector module shown in FIG. 1;  
FIG. 7 is a bottom view of the connector module shown in FIG. 1;  
FIG. 8 is front perspective view of the connector module shown in FIG. 1 connecting two standard LEGO® blocks in accordance with the present invention;  
FIG. 9 is front perspective view of the connector module shown in FIG. 1 connecting a speaker in accordance with the present invention; and,  
FIG. 10 is front perspective view of the connector module shown in FIG. 1 connecting two standard LEGO® blocks and a speaker in accordance with the present invention.  
The broken lines shown in FIGS. 8-10 views are for illustrative purposes only forms no part of the claimed design.

**1 Claim, 9 Drawing Sheets**



(56)

**References Cited**

## U.S. PATENT DOCUMENTS

D348,698 S \* 7/1994 Berggreen ..... D21/502  
D350,787 S \* 9/1994 Hojlund ..... D21/501  
D351,005 S \* 9/1994 Hojlund ..... D21/501  
D351,006 S \* 9/1994 Nielsen ..... D21/500  
D360,658 S \* 7/1995 Voldmester ..... D21/501  
D362,474 S \* 9/1995 Voldmester ..... D21/501  
5,803,783 A \* 9/1998 Holmstrøm ..... A63H 3/52  
446/102  
D614,707 S \* 4/2010 Ryaa ..... D21/501  
D639,870 S \* 6/2011 Madsen ..... D21/494  
D688,328 S \* 8/2013 Holm ..... D21/484  
D714,401 S \* 9/2014 Lin ..... D21/499  
D748,741 S \* 2/2016 Simonds ..... D21/499  
D751,152 S \* 3/2016 Pestel ..... D21/494  
D751,153 S \* 3/2016 Lacroix ..... D21/494  
2012/0181223 A1 \* 7/2012 Yang ..... C02F 3/101  
210/150  
2012/0252307 A1 \* 10/2012 Lin ..... A63H 33/042  
446/91  
2013/0115849 A1 \* 5/2013 Yap ..... A63H 9/00  
446/128  
2014/0127965 A1 \* 5/2014 Adam ..... A63H 33/042  
446/91  
2015/0314209 A1 \* 11/2015 Brooks ..... A63H 33/08  
446/128  
2015/0314210 A1 \* 11/2015 Lama ..... A63H 33/062  
446/128  
2015/0336018 A1 \* 11/2015 Chin ..... E04C 1/00  
446/124  
2015/0336019 A1 \* 11/2015 Vollers ..... B65D 81/361  
446/71  
2017/0036132 A1 \* 2/2017 Yang ..... A63H 33/042

\* cited by examiner

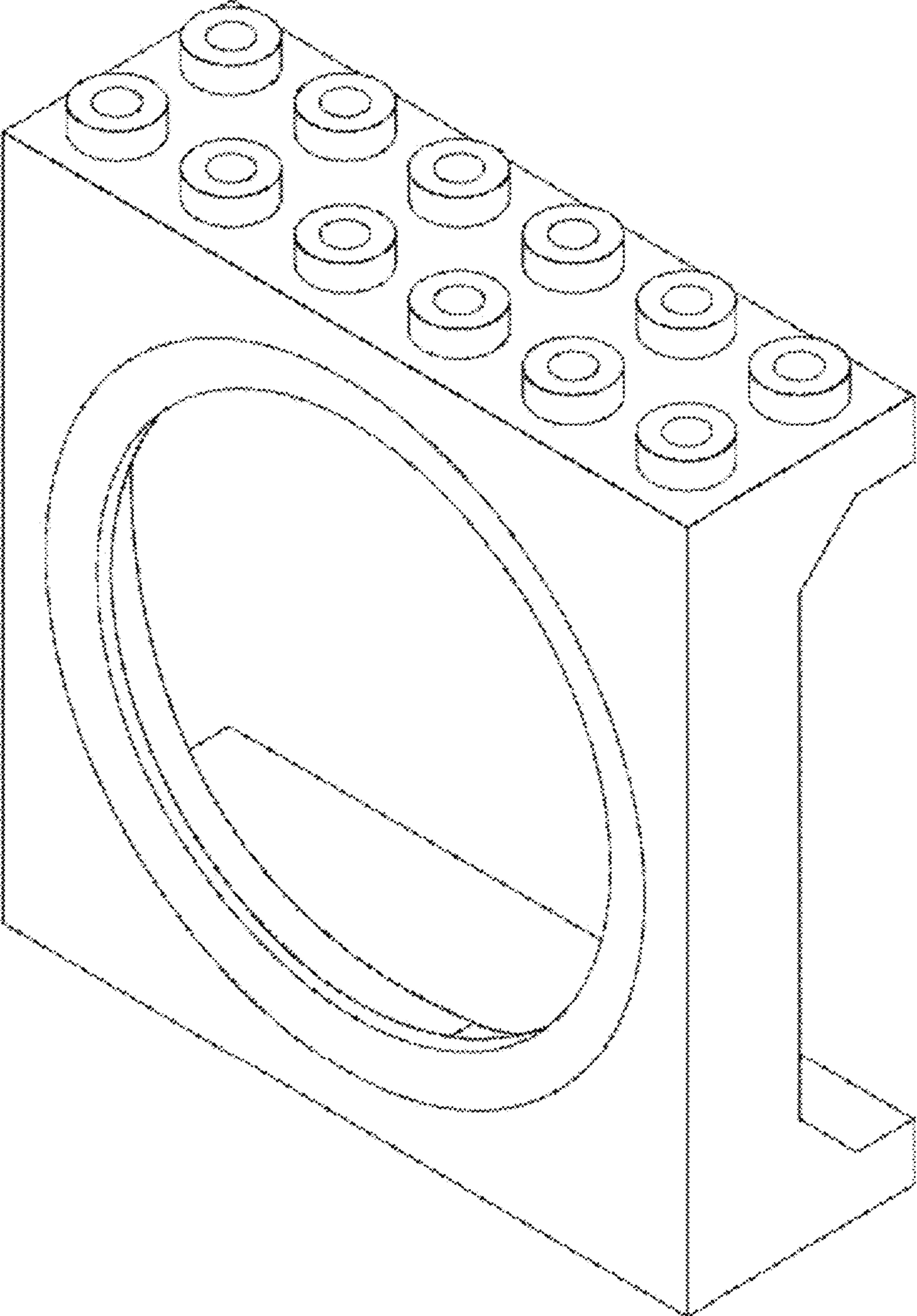


FIG. 1

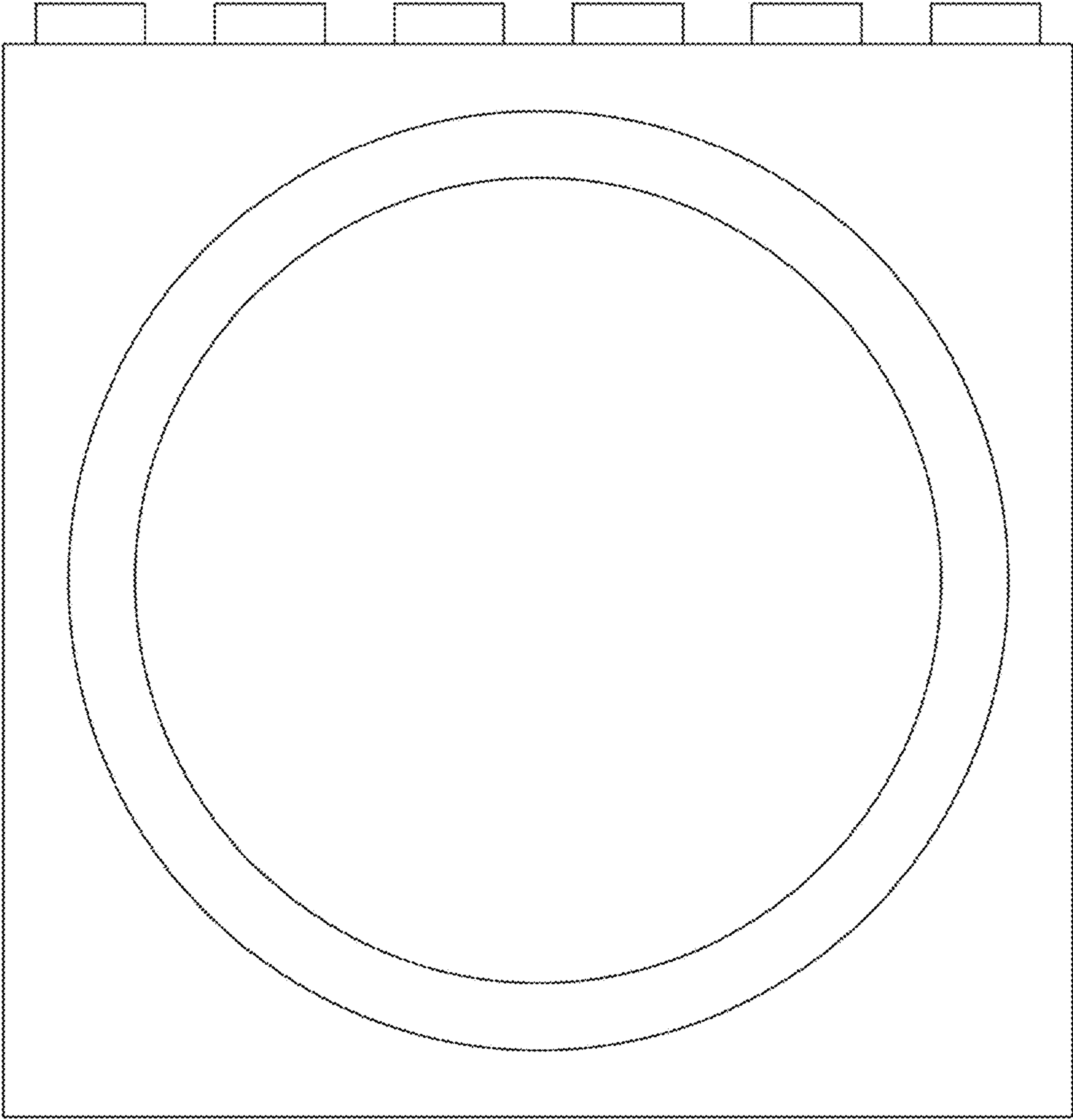


FIG. 2



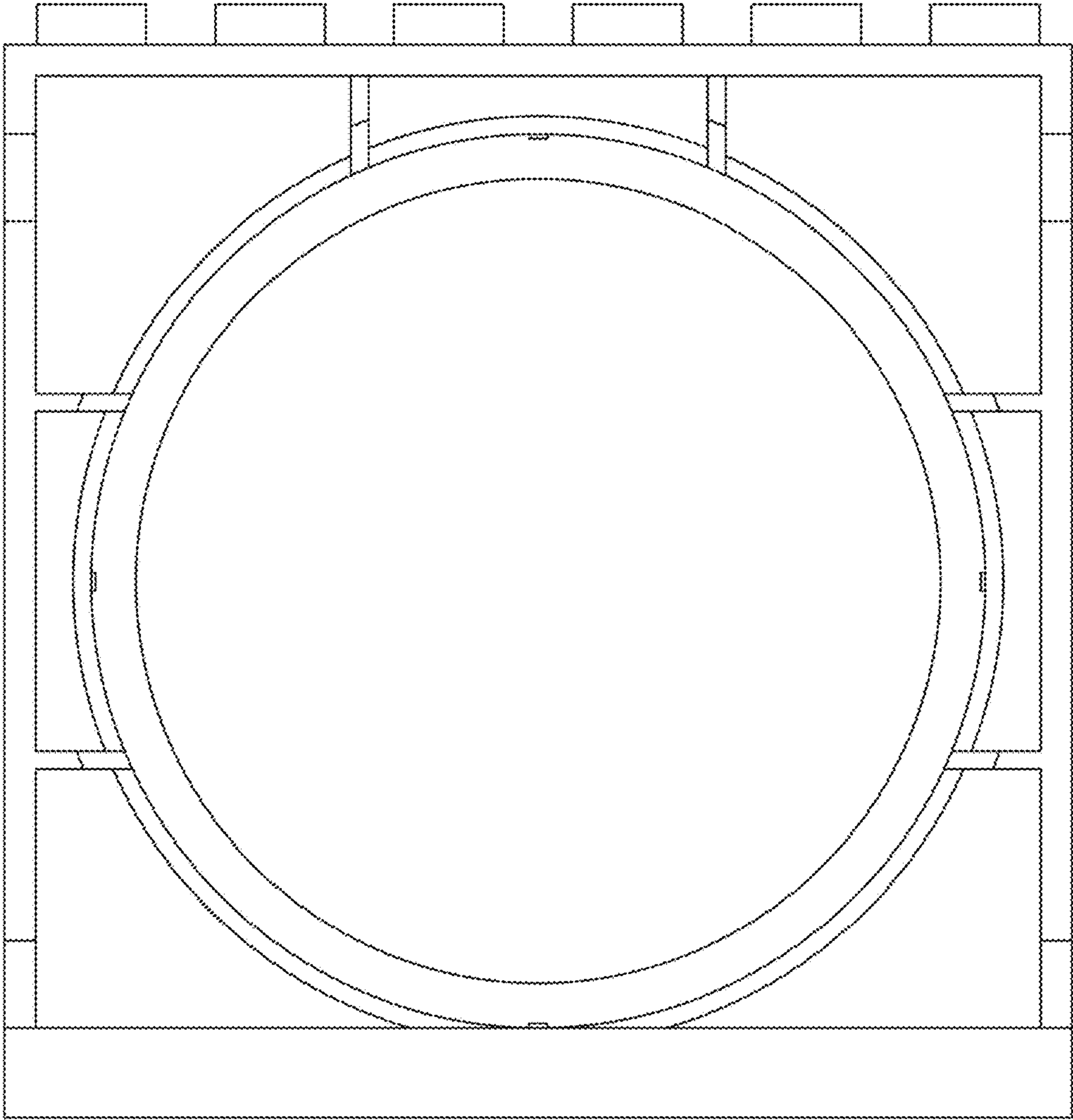


FIG. 3

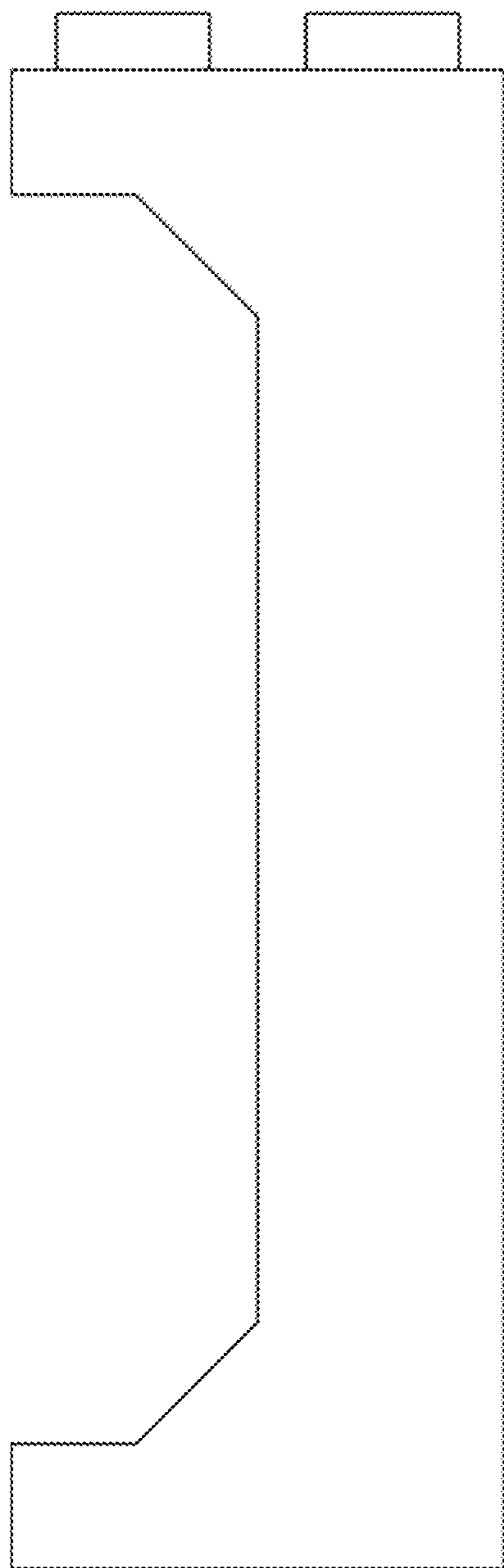


FIG. 4

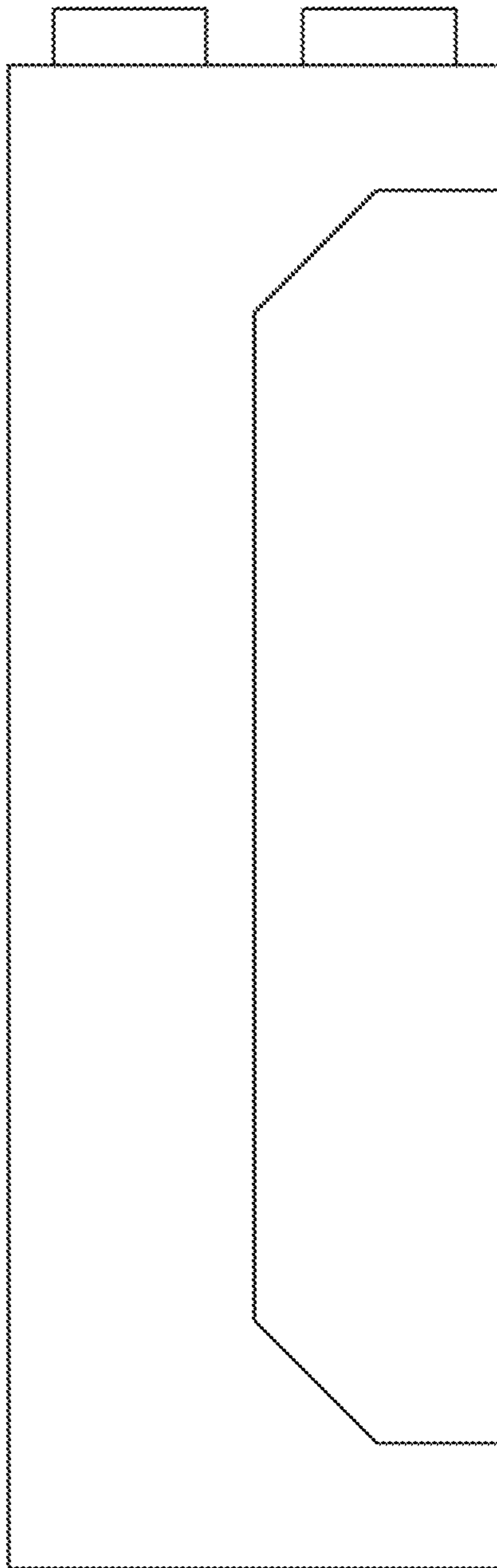


FIG. 5

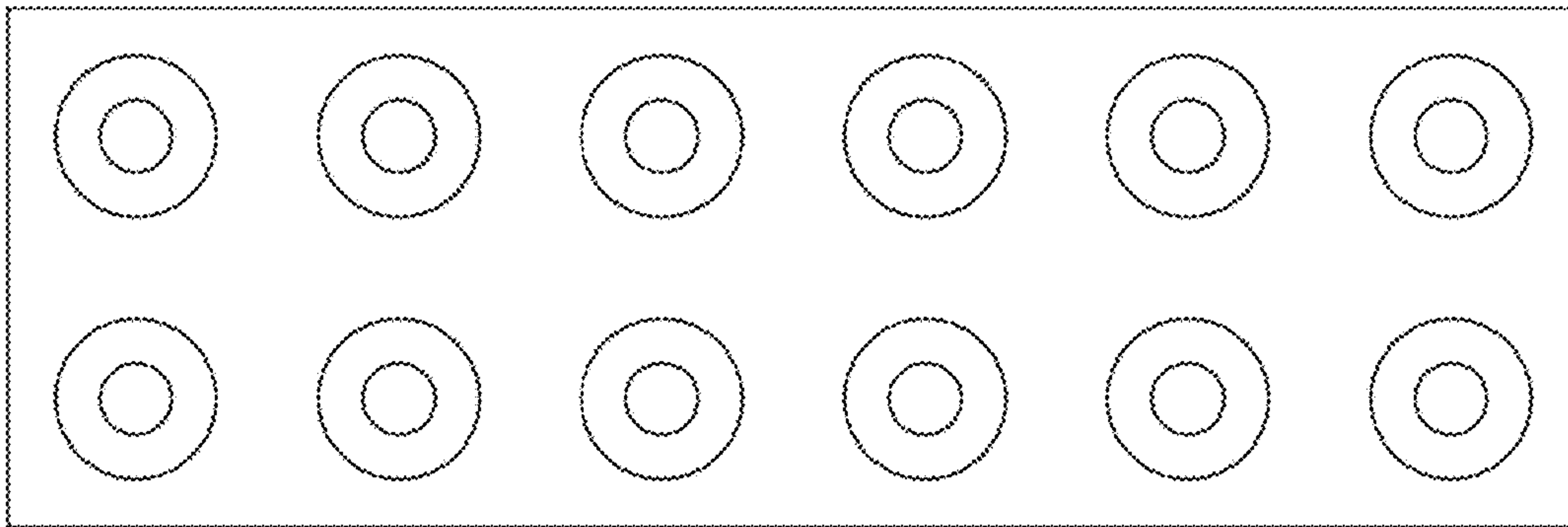


FIG. 6

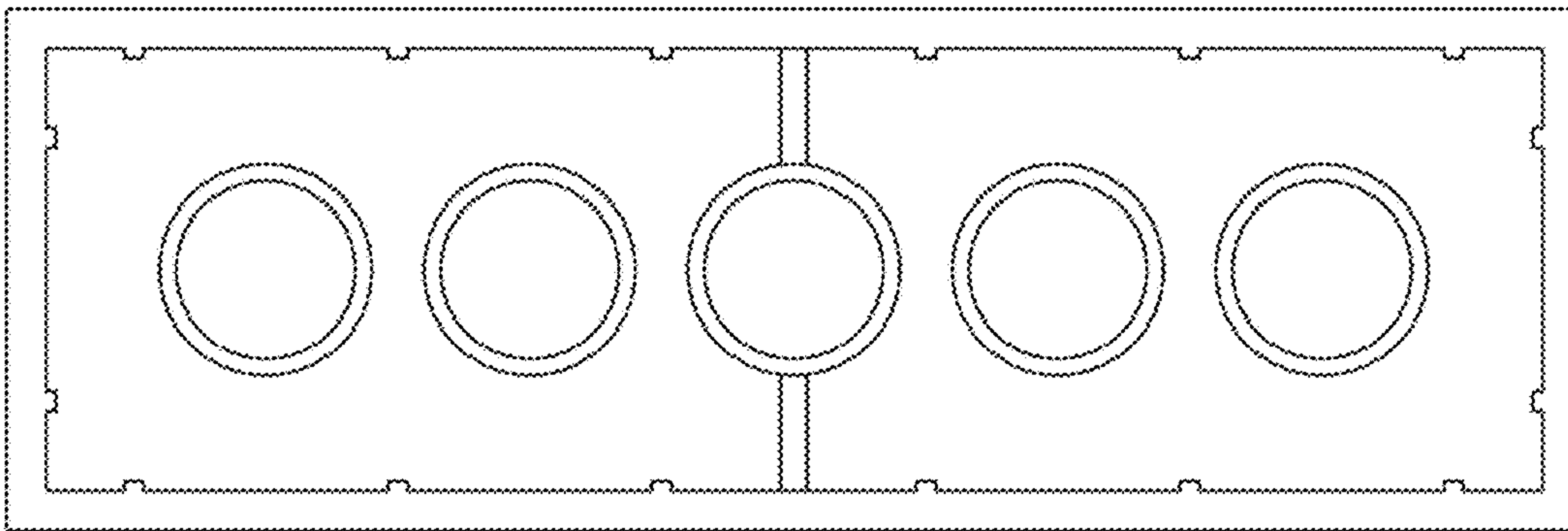


FIG. 7



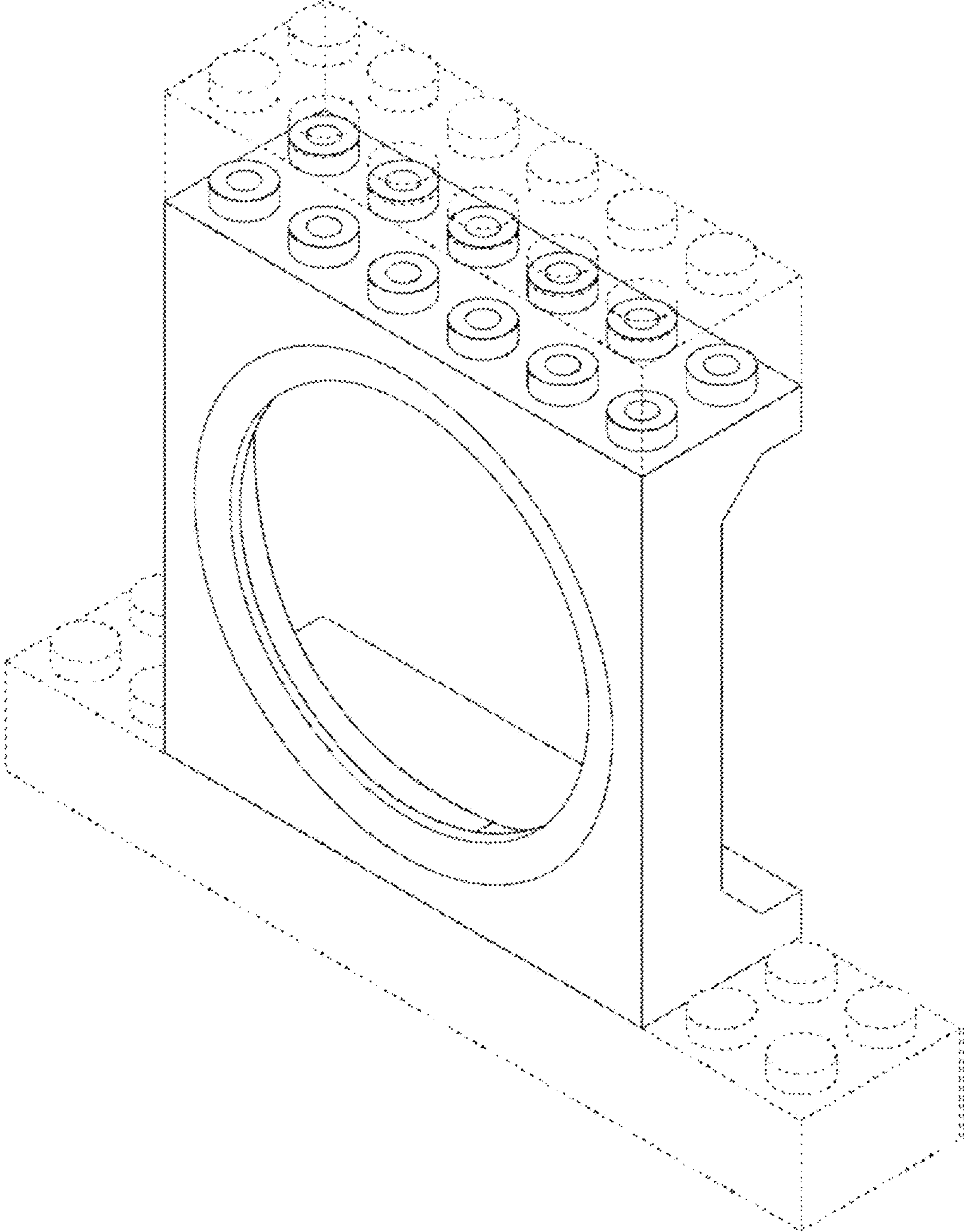


FIG. 8

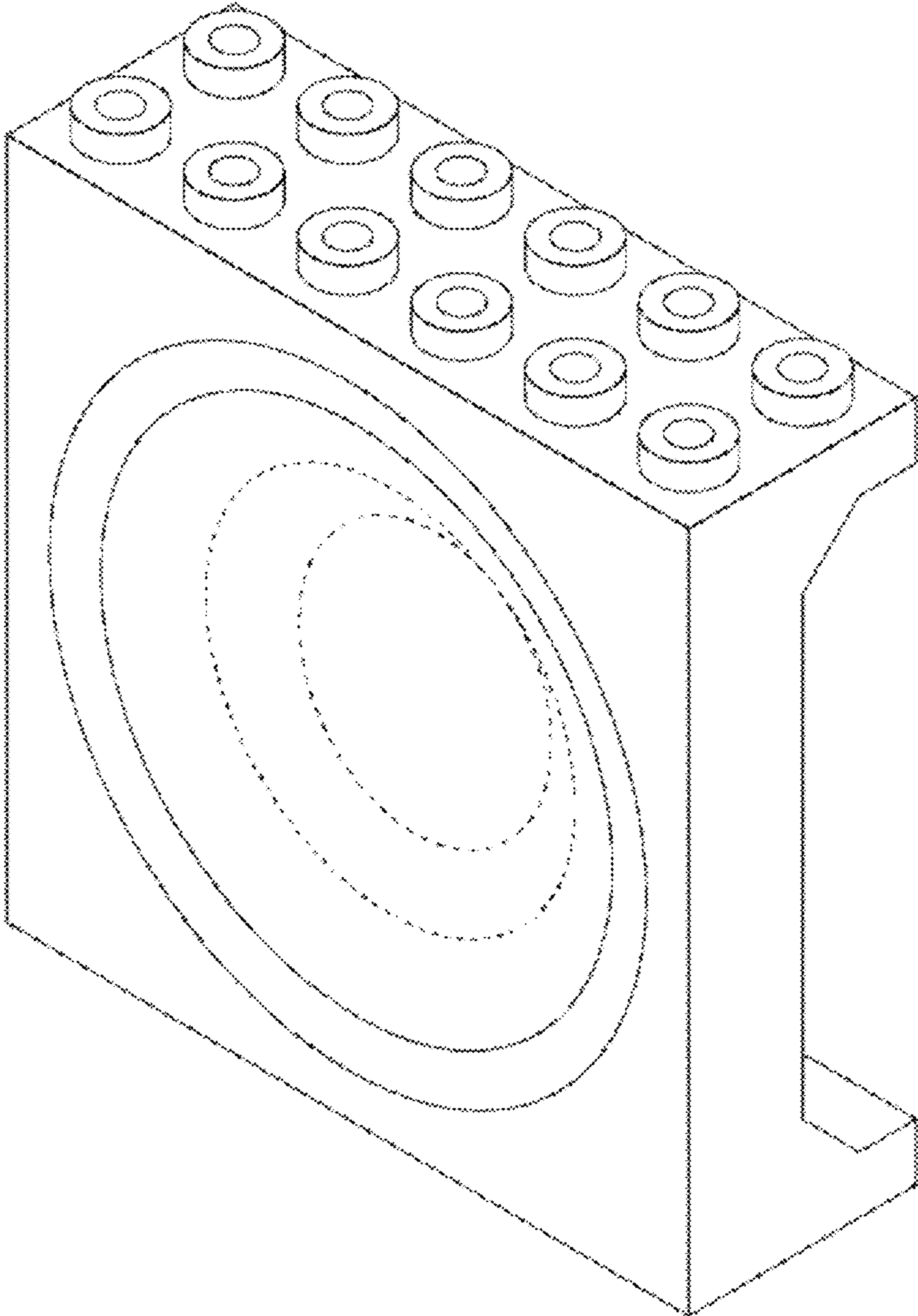


FIG. 9

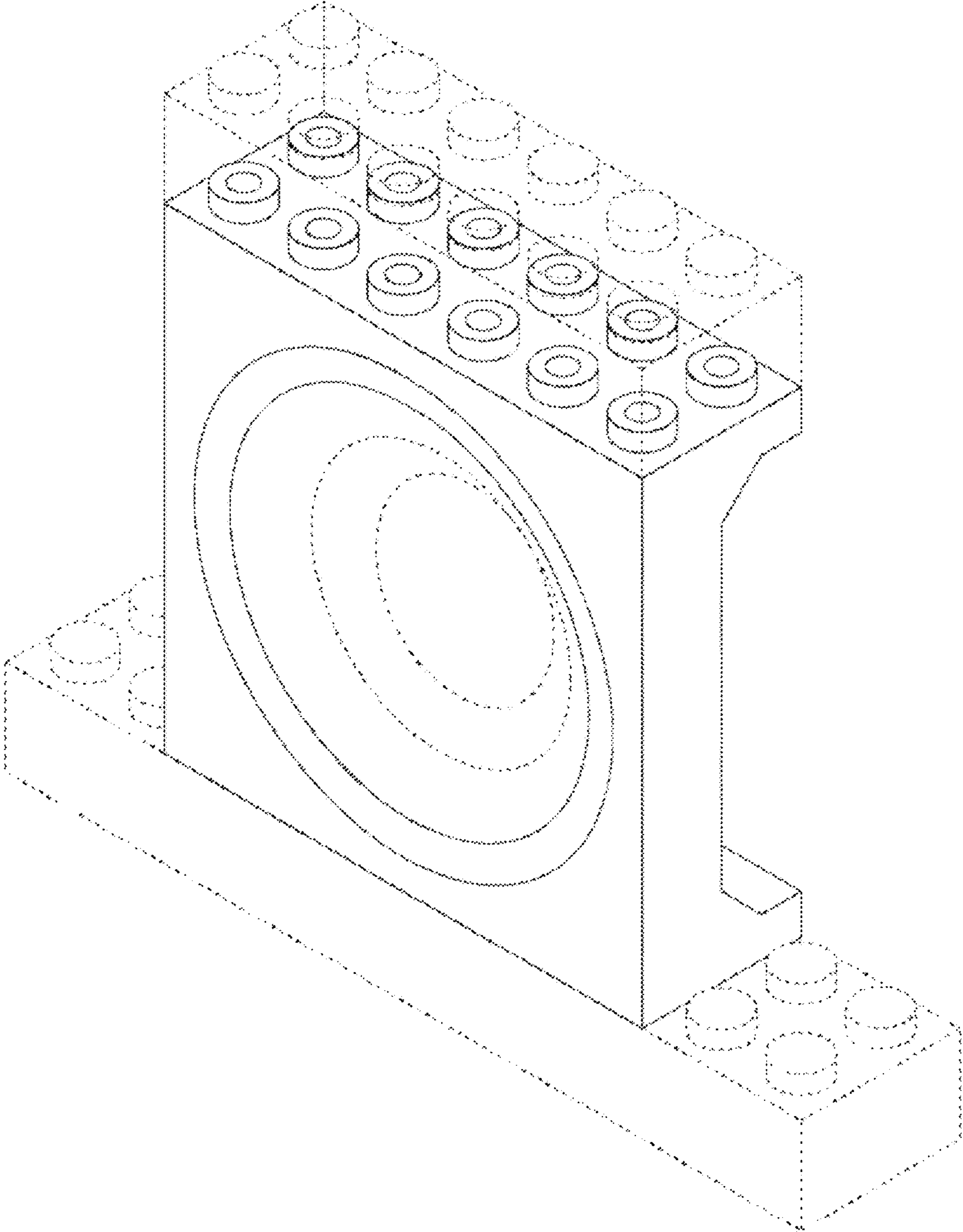


FIG. 10