



US00D807439S

(12) **United States Design Patent**  
**Herlitz et al.**

(10) **Patent No.:** **US D807,439 S**  
(45) **Date of Patent:** **\*\* Jan. 9, 2018**

(54) **ROCKET**

(71) Applicant: **RADIO FLYER INC.**, Chicago, IL  
(US)

(72) Inventors: **Todd Herlitz**, Glenview, IL (US);  
**Mark Johnson**, Cary, IL (US)

(73) Assignee: **Radio Flyer Inc.**, Chicago, IL (US)

(\*\*) Term: **15 Years**

(21) Appl. No.: **29/552,502**

(22) Filed: **Jan. 22, 2016**

(51) **LOC (11) Cl.** ..... **21-01**

(52) **U.S. Cl.**  
USPC ..... **D21/430**

(58) **Field of Classification Search**  
USPC ..... D21/412, 414, 419, 421, 423, 424,  
D21/426-428, 430, 436, 447, 448;  
D12/130; 446/440, 465, 470; 280/1.12,  
280/87.01, 87.021  
CPC ..... A63G 13/00; A63G 13/06; A63G 13/10;  
A63G 15/00; A63G 15/02; A63G 15/04;  
B62B 7/00; B62B 7/002; B62B 7/004;  
B62B 7/006; B62B 7/008; B62B 7/02;  
B62B 7/04; B62B 7/042; B62B 7/044;  
B62B 7/06; B62B 7/12; B62B 7/126;  
B62B 7/14; B62B 7/142; B62B 7/145;  
B62B 7/147; B62B 9/00; B62B 9/28  
See application file for complete search history.

(56) **References Cited**

**U.S. PATENT DOCUMENTS**

D140,435 S 2/1945 Smith  
D148,761 S \* 2/1948 Carmody ..... D21/427  
2,501,035 A \* 3/1950 Doak ..... B62K 9/02  
280/259  
2,755,095 A 7/1956 Douglas et al.  
D185,733 S \* 7/1959 Cagan et al. .... D21/430  
D218,696 S \* 9/1970 Auer et al. .... D21/433

D221,565 S 8/1971 Dunbar  
D235,057 S \* 5/1975 Williams et al. .... D12/108  
D239,865 S \* 5/1976 Pinsler et al. .... D14/189  
D243,109 S \* 1/1977 Yeung ..... D21/438  
D246,867 S \* 1/1978 Loomis ..... D21/448  
4,098,517 A 7/1978 Sortini  
D248,886 S \* 8/1978 Kato ..... D21/448  
D249,178 S \* 8/1978 Loomis ..... D21/448  
D258,302 S \* 2/1981 Murasaki ..... D21/430

(Continued)

**OTHER PUBLICATIONS**

Radio Flyer's Retro Rocket Child's Ride on Toy Light & Sounds Toddler Ship, [http://www.ebay.com/itm/Radio-Flyer-Retro-Rocket-Childs-Ride-On-Toy-Light-Sounds-Toddler-Rocket-Ship/191774350827?\\_trksid+p2047675c10011.m1850&\\_\\_trkparms=aid%3D222007%26algo%3DSICMBE%26ao%3D1%26ac%3D20140602152332%26meid%3D14c16aa61915fdb6ddc72463186132%26pid%3D100011%26rk%3D3%26rkt%3D4%26sd%3D251309353607](http://www.ebay.com/itm/Radio-Flyer-Retro-Rocket-Childs-Ride-On-Toy-Light-Sounds-Toddler-Rocket-Ship/191774350827?_trksid+p2047675c10011.m1850&__trkparms=aid%3D222007%26algo%3DSICMBE%26ao%3D1%26ac%3D20140602152332%26meid%3D14c16aa61915fdb6ddc72463186132%26pid%3D100011%26rk%3D3%26rkt%3D4%26sd%3D251309353607), at least as early as Jan. 21, 2016.

*Primary Examiner* — Cynthia M. Chin  
(74) *Attorney, Agent, or Firm* — McDermott Will & Emery LLP

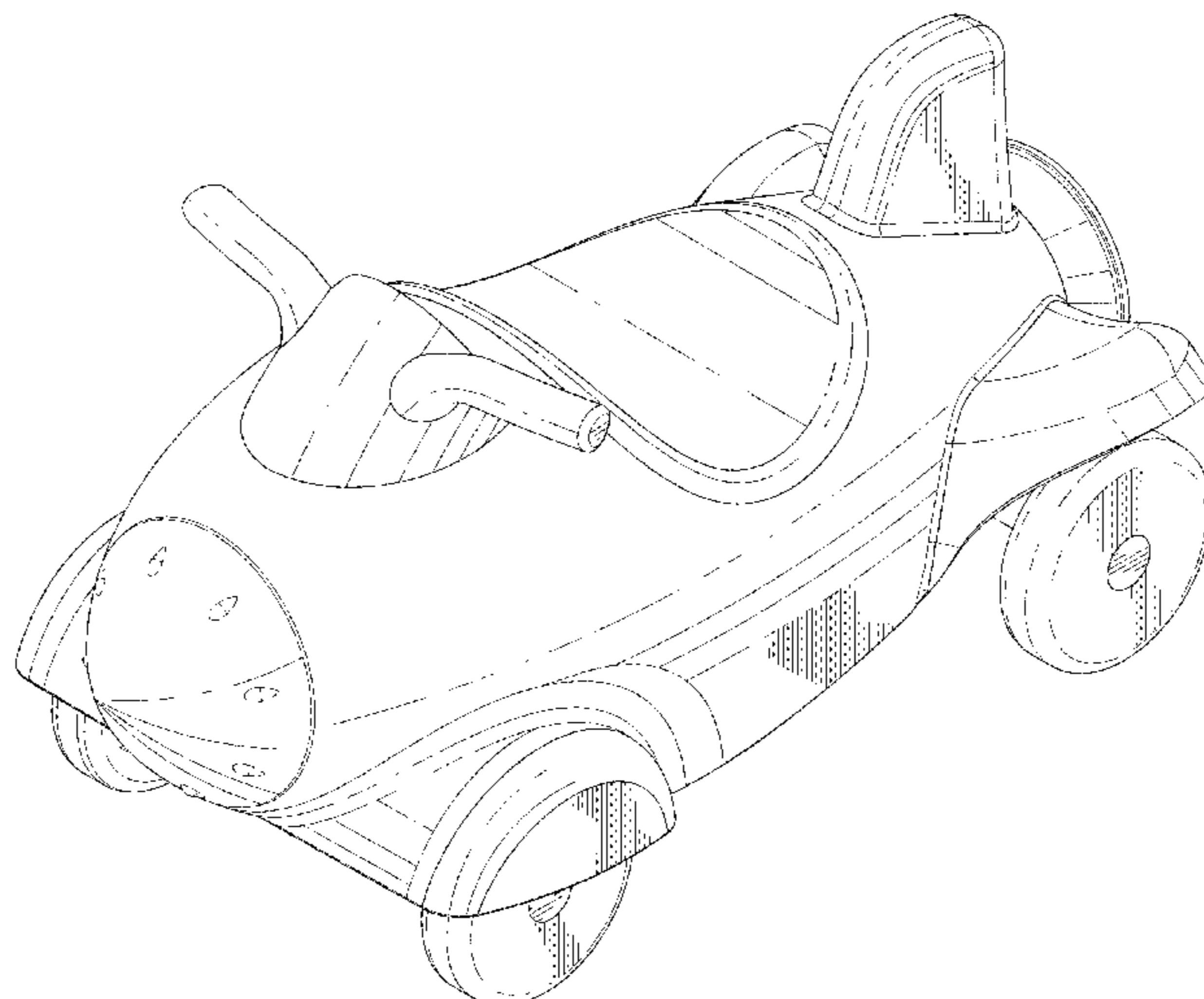
(57) **CLAIM**

We claim the ornamental design for a rocket, as shown and described.

**DESCRIPTION**

FIG. 1 is a top perspective view of a rocket according to the new design.  
FIG. 2 is a bottom perspective view of the rocket shown in FIG. 1.  
FIG. 3 is a right side view of the rocket shown in FIG. 1.  
FIG. 4 is a left side view of the rocket shown in FIG. 1.  
FIG. 5 is a front view of the rocket shown in FIG. 1.  
FIG. 6 is a rear view of the rocket shown in FIG. 1.  
FIG. 7 is a top plan view of the rocket shown in FIG. 1; and,  
FIG. 8 is a bottom plan view of the rocket shown in FIG. 1.  
The broken lines are for the purpose of illustrating portions of the rocket that form no part of the claim.

**1 Claim, 7 Drawing Sheets**



(56)

**References Cited**

U.S. PATENT DOCUMENTS

D272,837 S *	2/1984	Appel .....	D21/427
D275,300 S	8/1984	Mancini	
D304,846 S *	11/1989	Hahn .....	D21/430
D305,048 S *	12/1989	Moomaw .....	D21/477
D352,532 S *	11/1994	Tully .....	D21/452
D384,706 S	10/1997	Temple	
D454,601 S *	3/2002	Cheng .....	D21/430
D455,796 S	4/2002	Wu	
D503,752 S	4/2005	Chiappetta et al.	
D588,807 S *	3/2009	Azman .....	D19/80
D677,737 S *	3/2013	Mayson .....	D21/430

\* cited by examiner

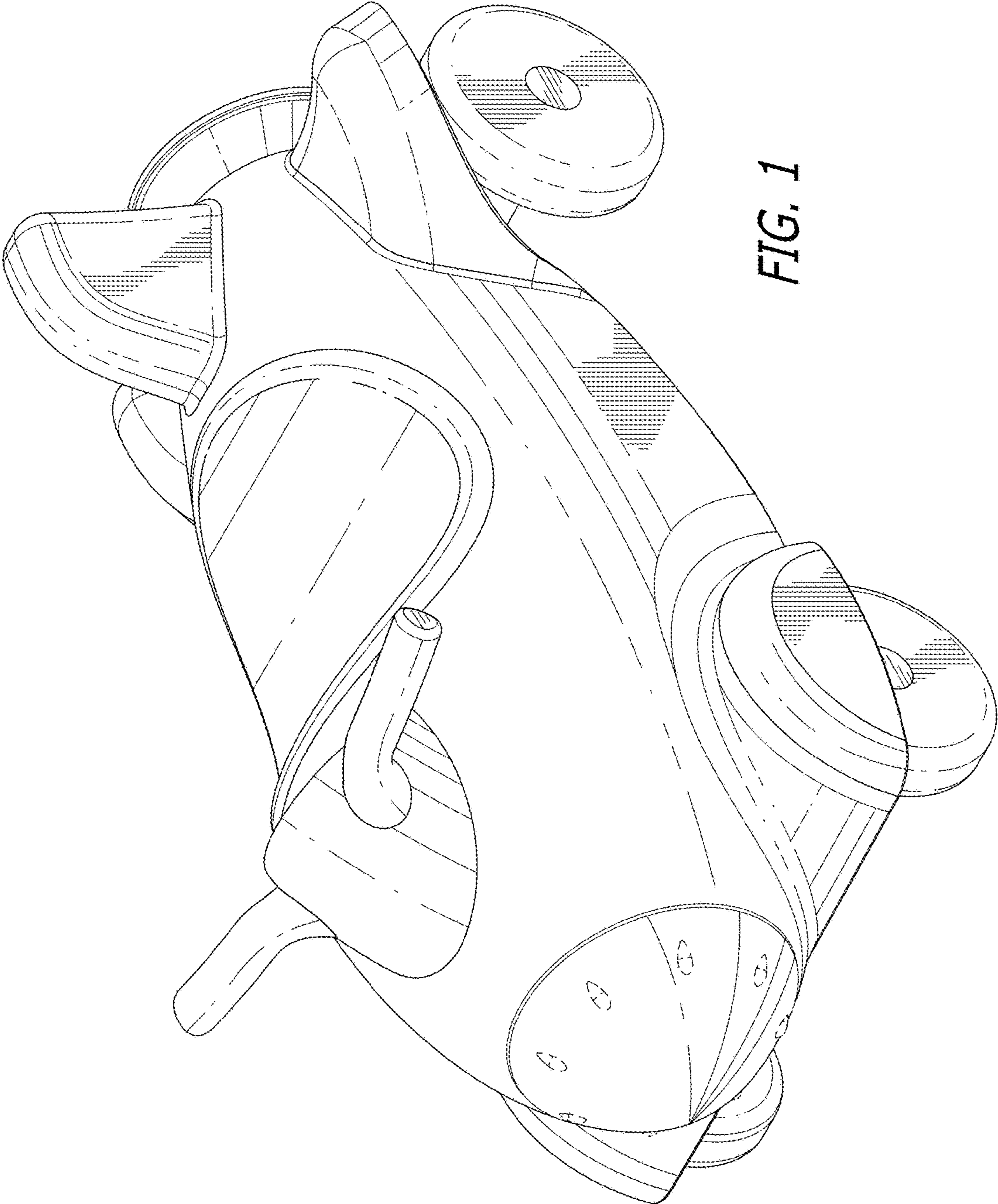


FIG. 1



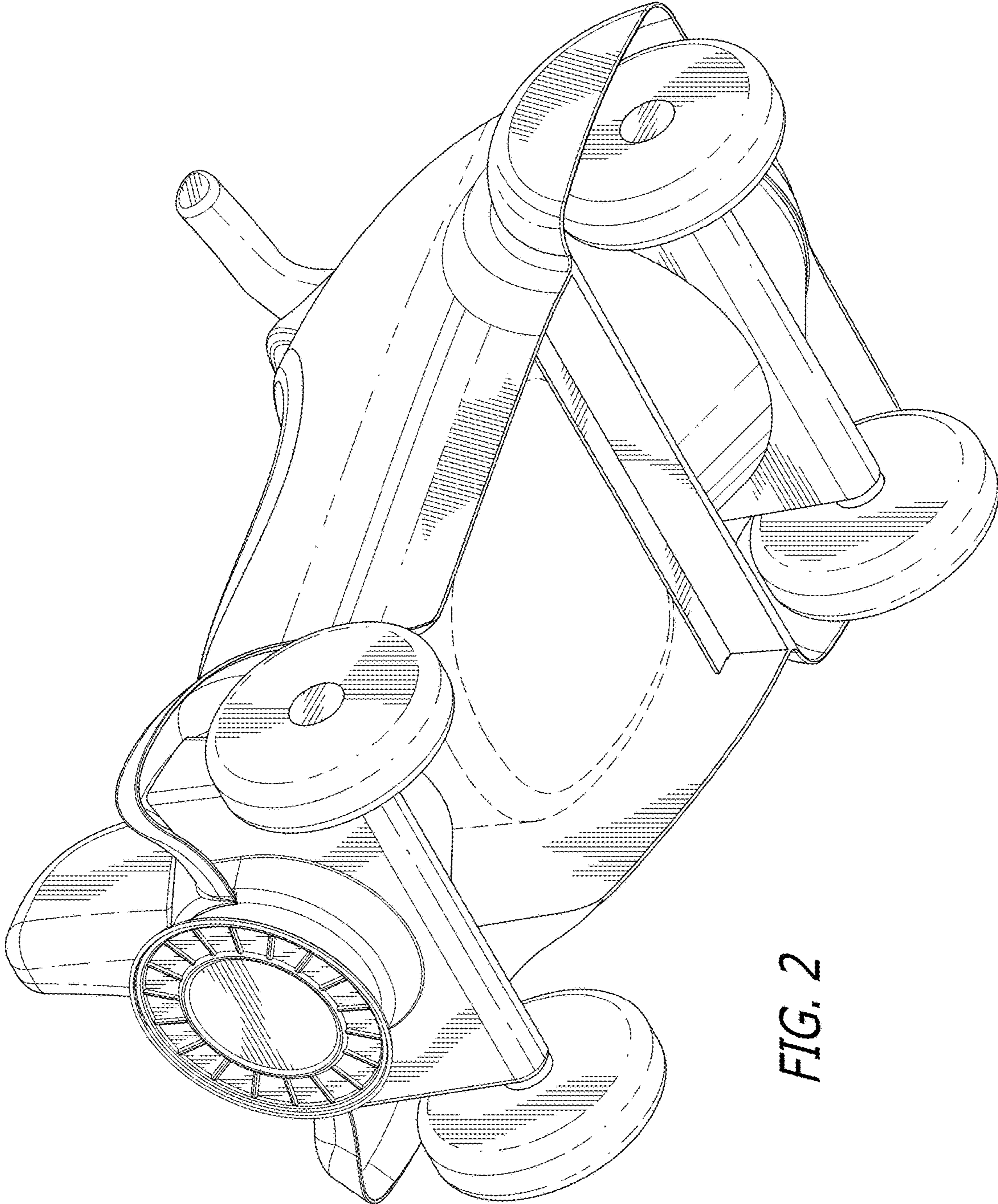


FIG. 2

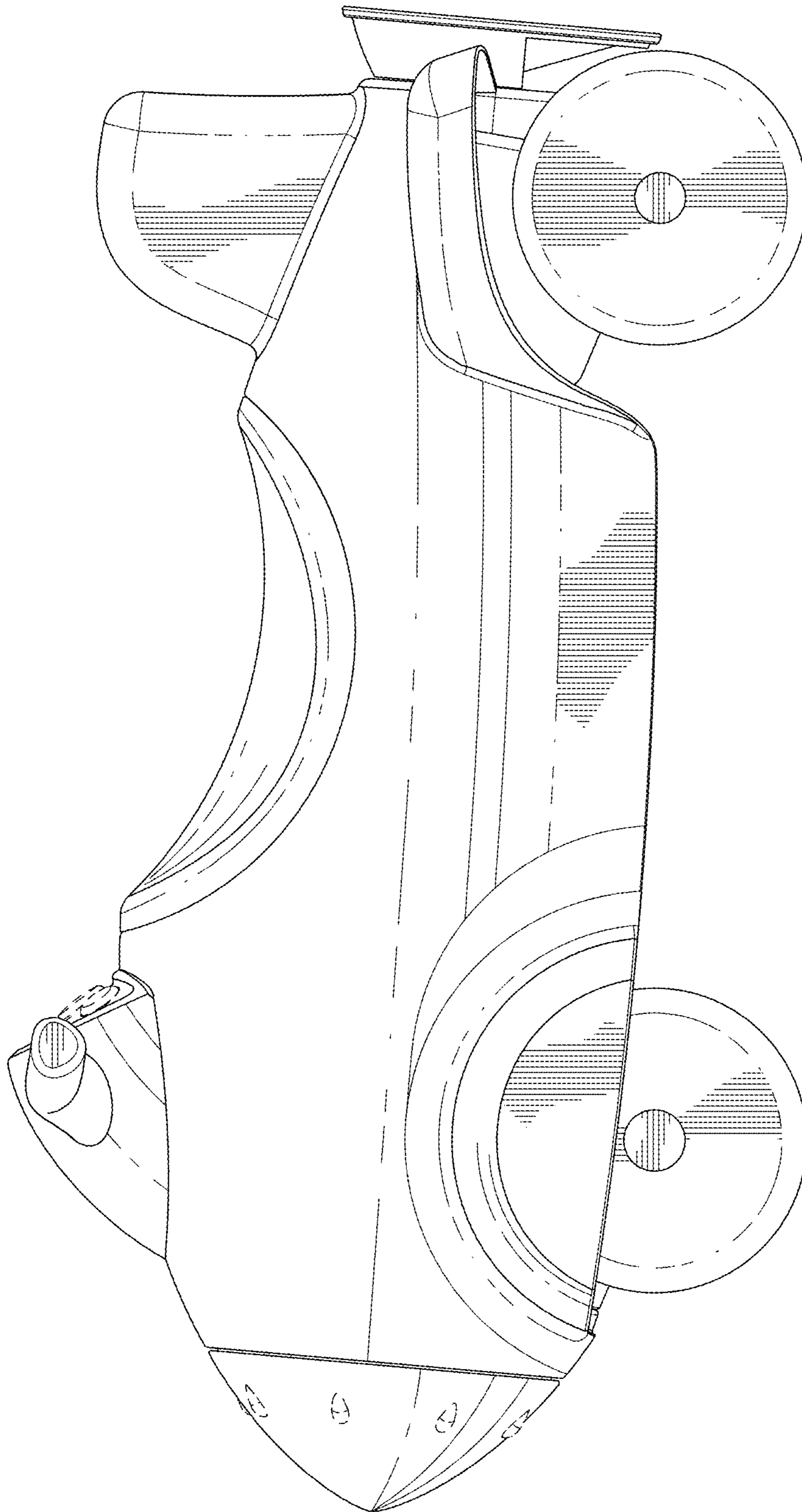


FIG. 3

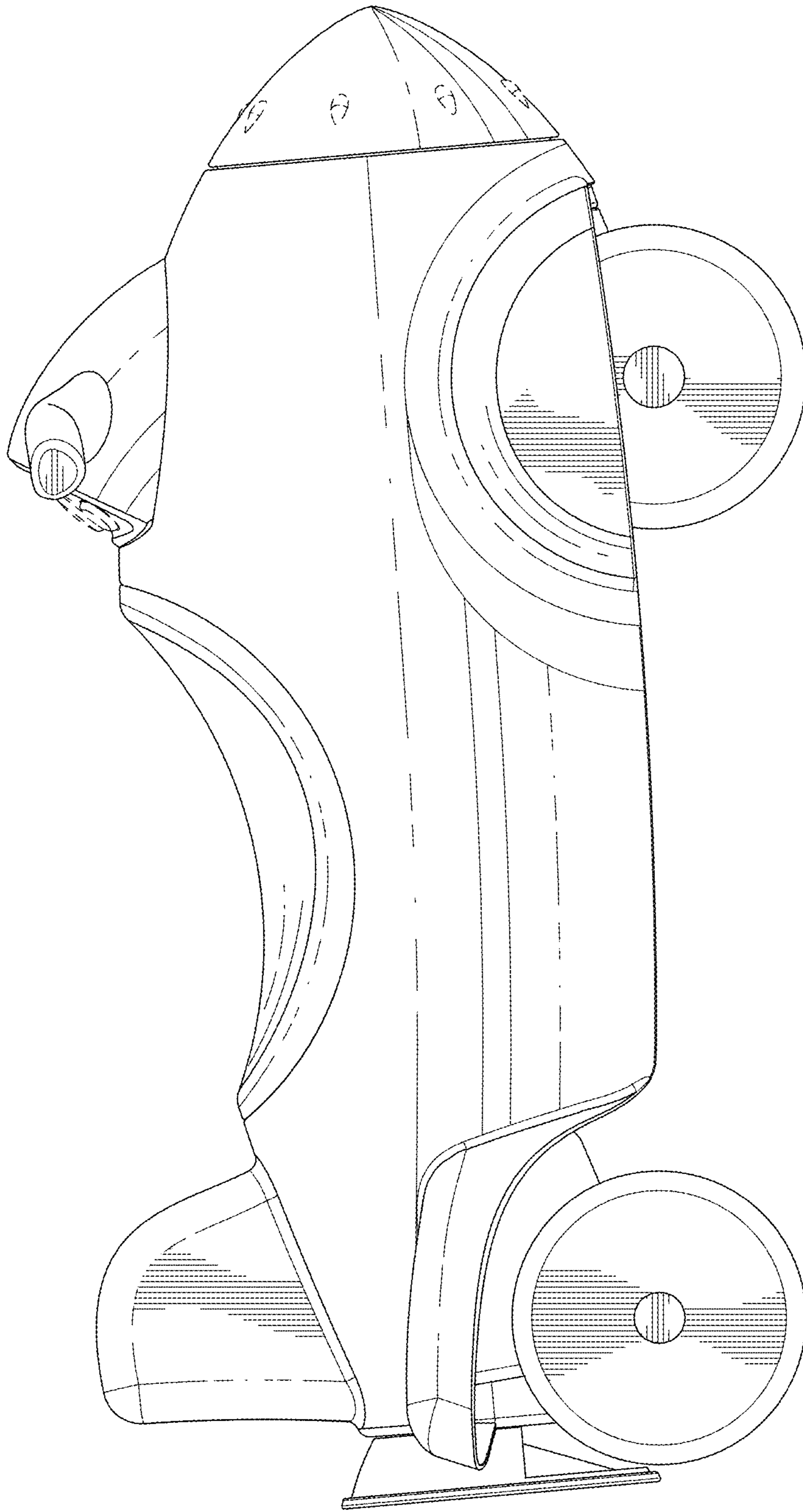
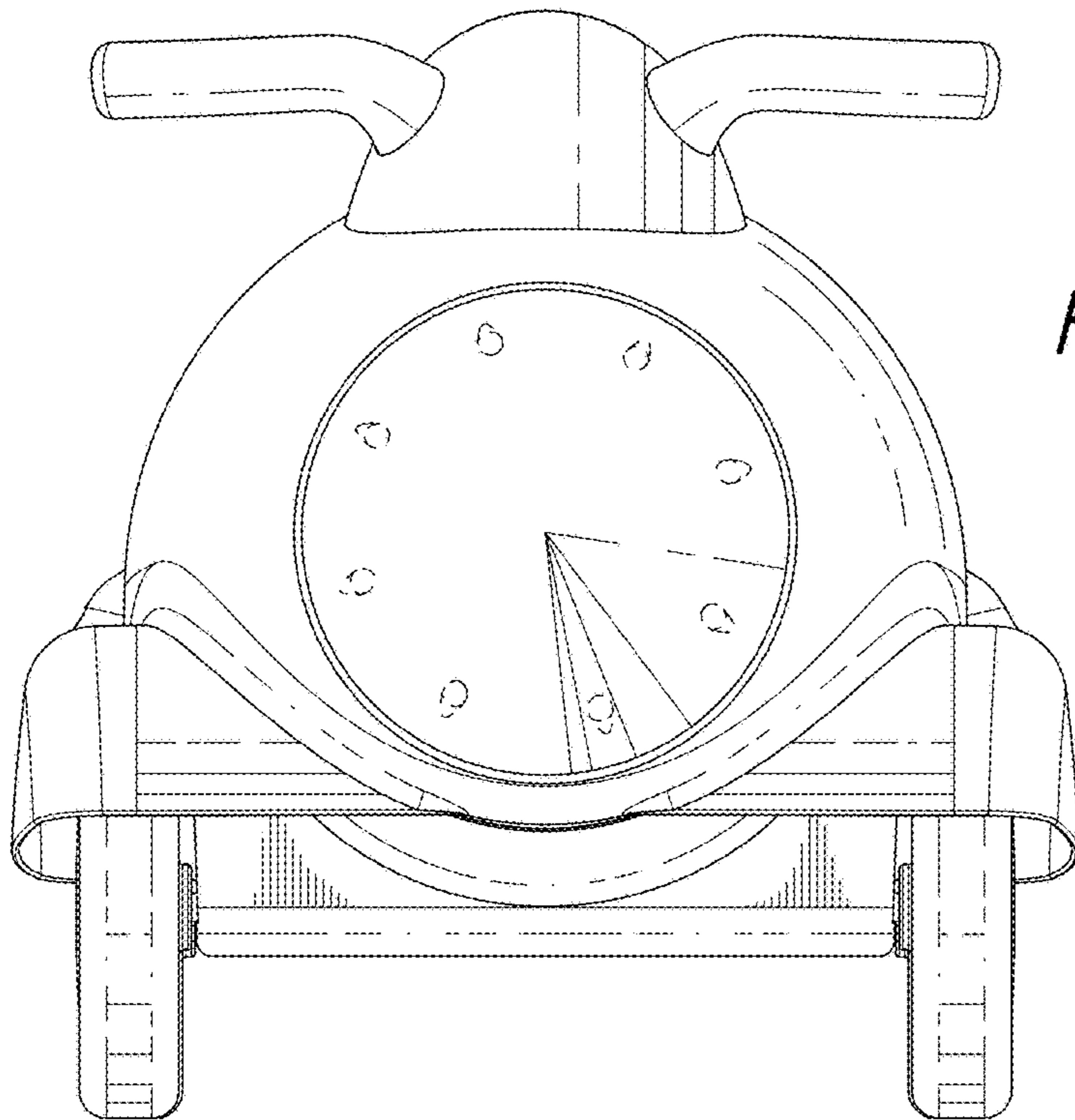


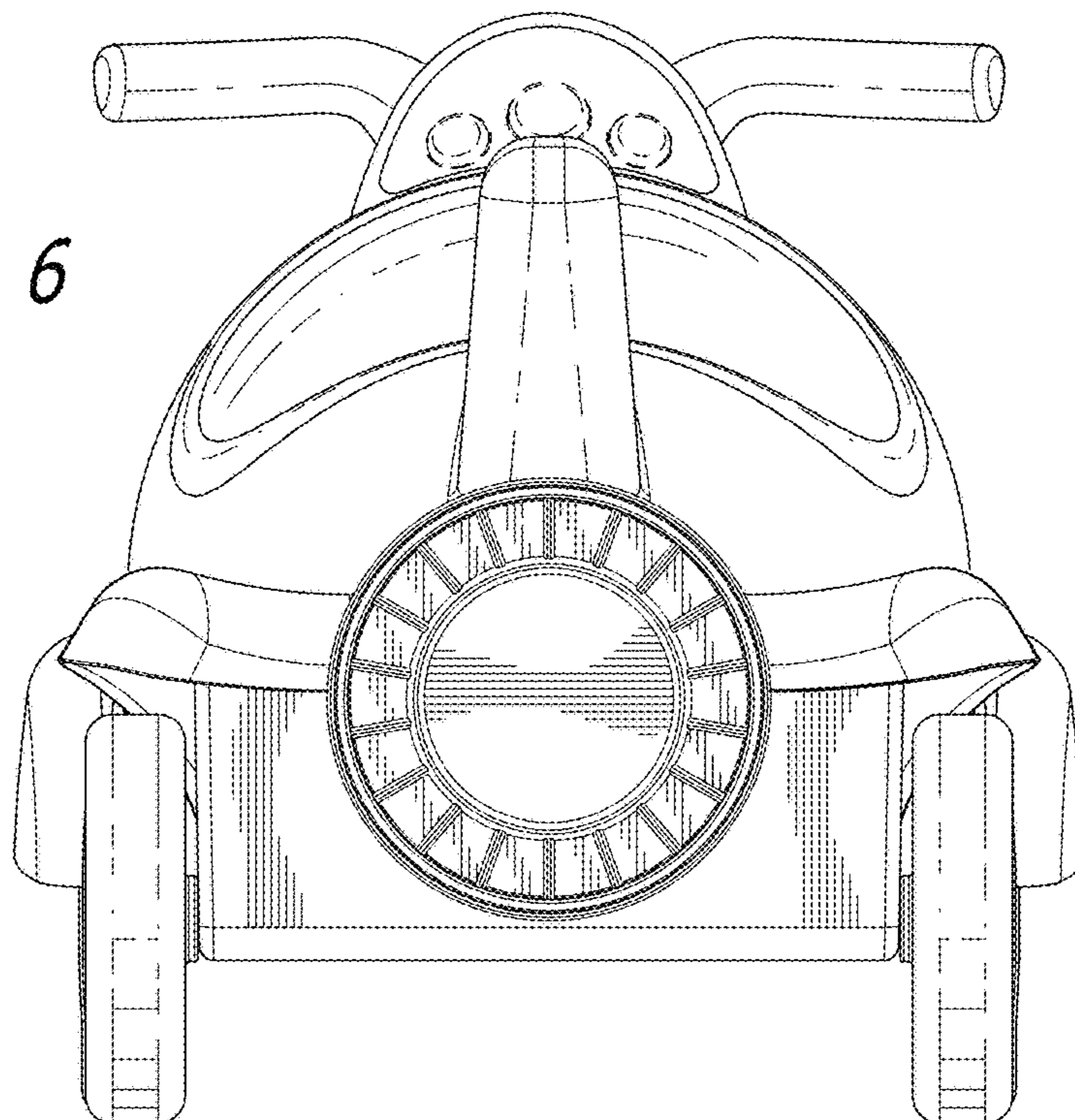
FIG. 4





*FIG. 5*

*FIG. 6*



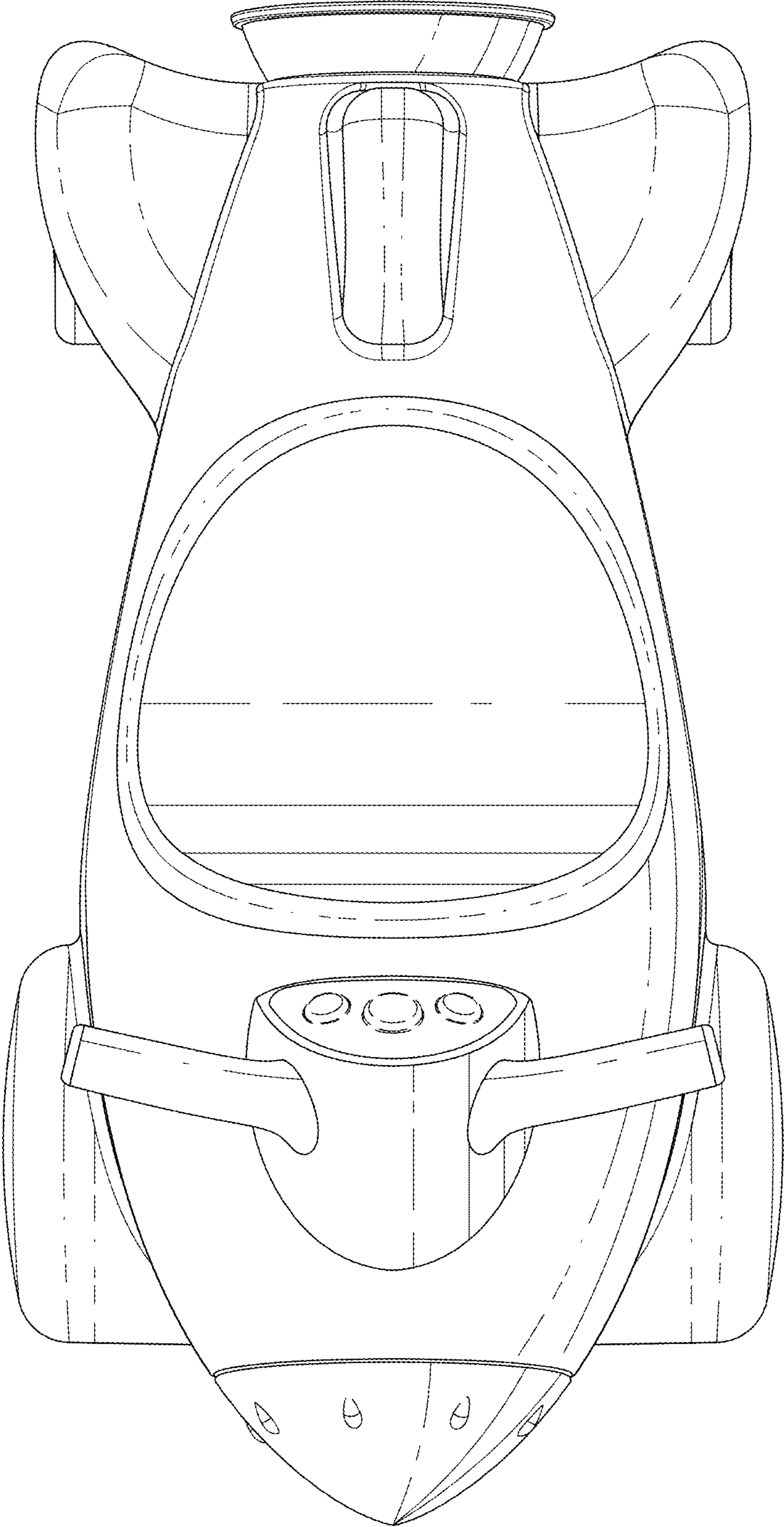


FIG. 7



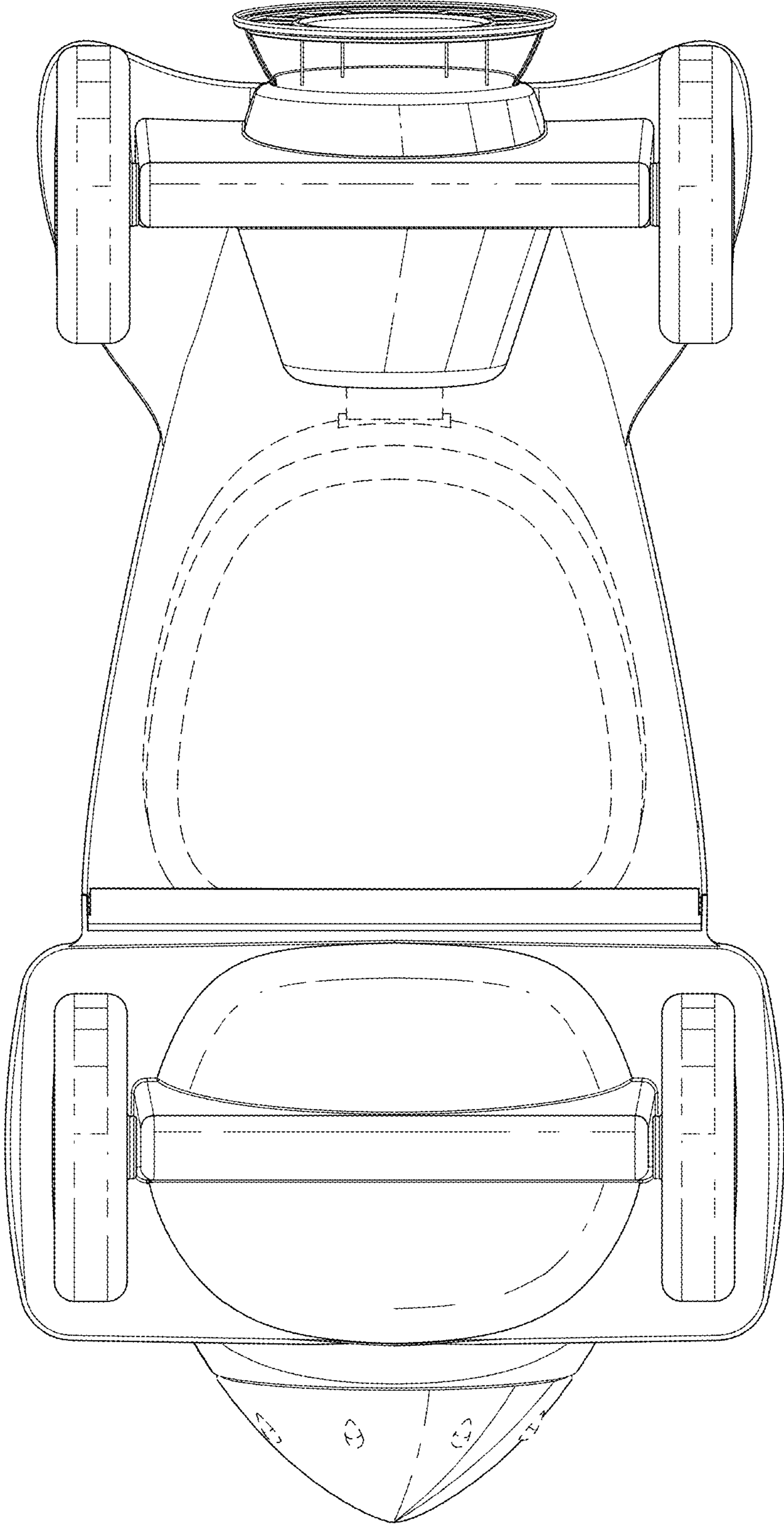


FIG. 8