



US00D807438S

(12) **United States Design Patent**  
**Desberg**

(10) **Patent No.:** **US D807,438 S**  
(45) **Date of Patent:** **\*\* Jan. 9, 2018**

- (54) **KART**
- (71) Applicant: **RAZOR USA LLC**, Cerritos, CA (US)
- (72) Inventor: **Ian Desberg**, Cerritos, CA (US)
- (73) Assignee: **RAZOR USA LLC**, Cerritos, CA (US)
- (\*\*) Term: **15 Years**
- (21) Appl. No.: **29/604,458**
- (22) Filed: **May 17, 2017**

**Related U.S. Application Data**

- (63) Continuation of application No. 29/574,738, filed on Aug. 18, 2016, now Pat. No. Des. 787,609, which is a continuation of application No. 29/530,063, filed on Jun. 12, 2015, now Pat. No. Des. 764,600.
- (51) **LOC (11) Cl.** ..... **21-01**
- (52) **U.S. Cl.**  
USPC ..... **D21/425**
- (58) **Field of Classification Search**  
USPC ..... D21/419, 421, 423, 426, 662, 760, 765, D21/766, 769, 771, 776, 803; D12/1, 6, D12/130; 280/7.14, 11.115, 11.19, 11.27, 280/11.28, 14.21, 79.11, 79.2, 87.01, 280/87.021, 87.03, 87.041, 87.042, 607, 280/608, 609, 809; 180/180, 181; 434/247, 253, 258; D34/23, 28  
CPC . A63C 17/00; A63C 17/0026; A63C 17/0033; A63C 17/01; A63C 17/04; A63C 17/265; A63C 17/26; A63C 17/28; B62K 3/002  
See application file for complete search history.

(56) **References Cited**

**U.S. PATENT DOCUMENTS**

- 2,219,905 A 10/1940 Prickman
- D213,370 S 2/1969 Cherry

- 3,437,161 A 4/1969 Ufford
- D214,576 S 7/1969 King
- D215,861 S 11/1969 Cook
- D220,509 S 4/1971 Schreckengost
- 3,604,722 A 9/1971 Boley
- 3,870,334 A 3/1975 Cole
- D251,324 S 3/1979 Vaughn
- D252,651 S 8/1979 Tepper
- D254,380 S 3/1980 Thomas
- D258,368 S 2/1981 Cornish
- D266,100 S 9/1982 Miller
- 4,359,231 A 11/1982 Mulcahy
- D276,058 S 10/1984 Rogers
- 4,484,646 A 11/1984 Smith
- 4,516,648 A 5/1985 Berger
- 4,562,893 A 1/1986 Cunard
- 4,573,696 A 3/1986 Buroff
- 4,645,257 A 2/1987 Salmon
- D292,301 S \* 10/1987 Lohmann ..... D21/435  
(Continued)

*Primary Examiner* — Cynthia M Chin

(74) *Attorney, Agent, or Firm* — Knobbe, Martens, Olson & Bear, LLP

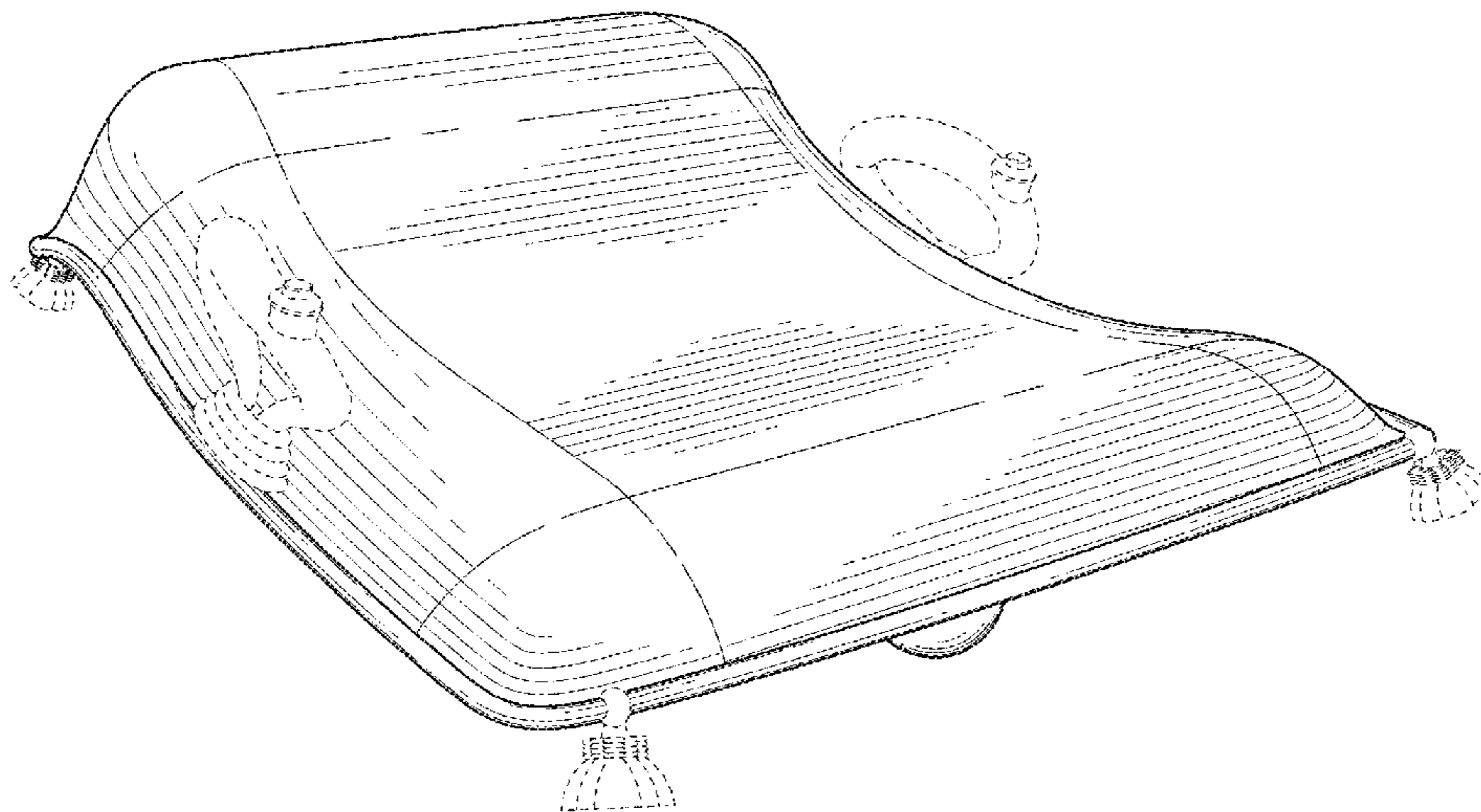
(57) **CLAIM**

The ornamental design for a kart, as shown and described.

**DESCRIPTION**

FIG. 1 is a front perspective view of a kart, which embodies my design.  
 FIG. 2 is a left side view of the kart of FIG. 1, the right side view of the kart of FIG. 1 is the mirror image of FIG. 2.  
 FIG. 3 is a front view of the kart of FIG. 1.  
 FIG. 4 is a rear view of the kart of FIG. 1.  
 FIG. 5 is a top view of the kart of FIG. 1; and,  
 FIG. 6 is a bottom view of the kart of FIG. 1.  
 Broken lines are used to illustrate portions of the kart which form no part of the claimed design.

**1 Claim, 5 Drawing Sheets**



(56)

References Cited

U.S. PATENT DOCUMENTS

D300,127 S 3/1989 Poss  
 D301,497 S 6/1989 Gassaway  
 4,875,694 A 10/1989 Hamrick  
 4,896,899 A 1/1990 Lawrence  
 D316,281 S 4/1991 Mirisch, Sr.  
 5,046,750 A 9/1991 Heubl  
 5,069,469 A 12/1991 Rosengrant  
 5,265,690 A 11/1993 Amundsen et al.  
 D343,424 S 1/1994 Lamb  
 D368,743 S 4/1996 Amburgey  
 D382,917 S 8/1997 Brodoski  
 D384,706 S 10/1997 Temple  
 D406,684 S 3/1999 Pool  
 D412,138 S 7/1999 Triarsi et al.  
 D437,364 S 2/2001 Jang  
 D440,607 S 4/2001 Mahlow  
 D446,827 S \* 8/2001 You ..... D21/424  
 6,276,700 B1 \* 8/2001 Way ..... B62B 15/008  
 280/267  
 D464,999 S 10/2002 Gu  
 D465,814 S 11/2002 Koveleski  
 D466,560 S 12/2002 Stolpmann  
 D469,819 S 2/2003 Nicolle et al.  
 D471,936 S 3/2003 Tilbor  
 D512,467 S 12/2005 Hadley  
 7,114,742 B1 10/2006 Sterns

7,198,322 B2 \* 4/2007 Savo ..... B62D 35/005  
 296/180.5  
 D562,914 S 2/2008 Oveson et al.  
 7,328,764 B2 2/2008 Penz  
 D570,572 S \* 6/2008 Whiteside ..... D34/23  
 D582,992 S 12/2008 Alais  
 D601,640 S 10/2009 McIlvain  
 7,726,668 B2 6/2010 Sieb et al.  
 D637,660 S \* 5/2011 Markowitz ..... D21/424  
 8,210,555 B2 7/2012 Belenkov et al.  
 D705,128 S 5/2014 Patterson et al.  
 8,801,005 B1 8/2014 Flickner  
 D761,700 S 7/2016 Kermani  
 D764,600 S 8/2016 Desberg  
 D764,601 S 8/2016 Desberg  
 D766,780 S 9/2016 Fusco  
 D768,788 S 10/2016 Orenstein et al.  
 D771,196 S 11/2016 Chen  
 D764,602 S 12/2016 Desberg  
 D774,602 S 12/2016 Desberg  
 D774,981 S 12/2016 Chen  
 D775,282 S 12/2016 Williams et al.  
 D787,609 S 5/2017 Desberg  
 D787,610 S 5/2017 Desberg  
 D792,811 S \* 7/2017 Kermani ..... D12/112  
 D792,927 S 7/2017 Desberg  
 D793,480 S \* 8/2017 Chen ..... D21/424  
 D793,481 S \* 8/2017 Kermani ..... D21/426  
 D793,912 S \* 8/2017 Kermani ..... D12/112  
 2002/0017418 A1 2/2002 Korenjack et al.

\* cited by examiner

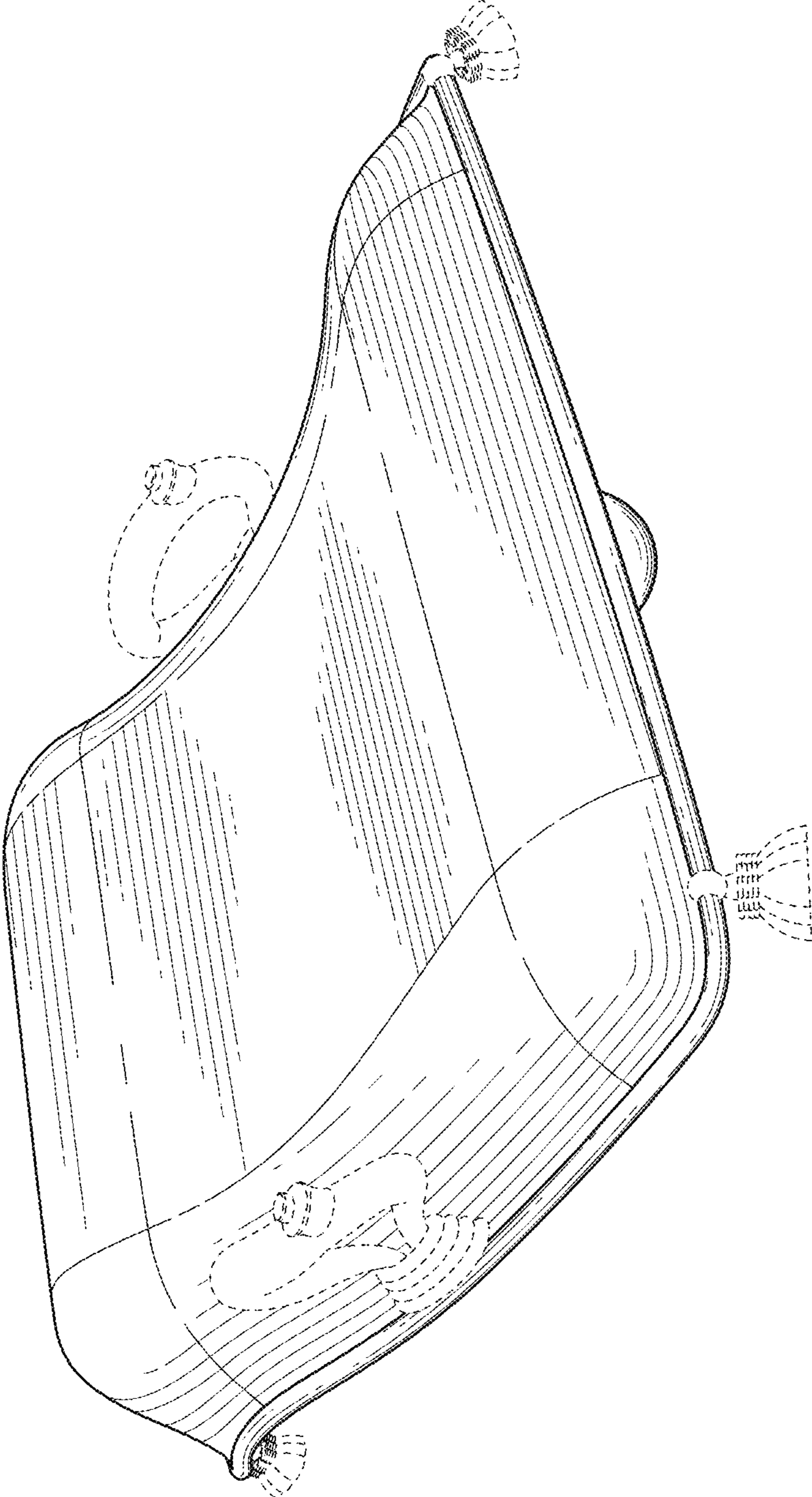


FIG. 1

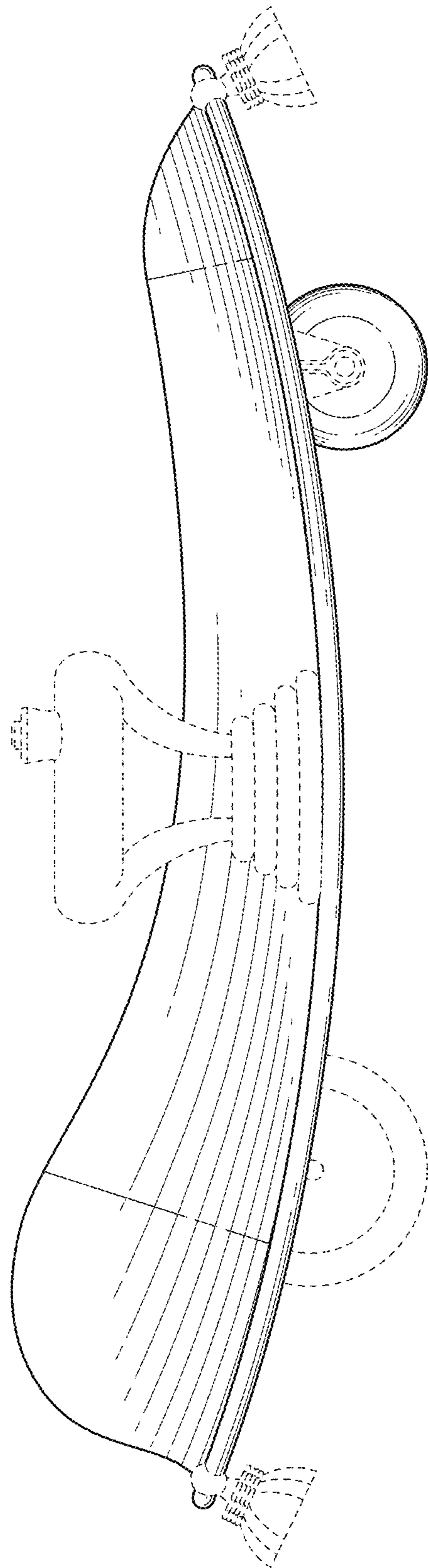


FIG. 2

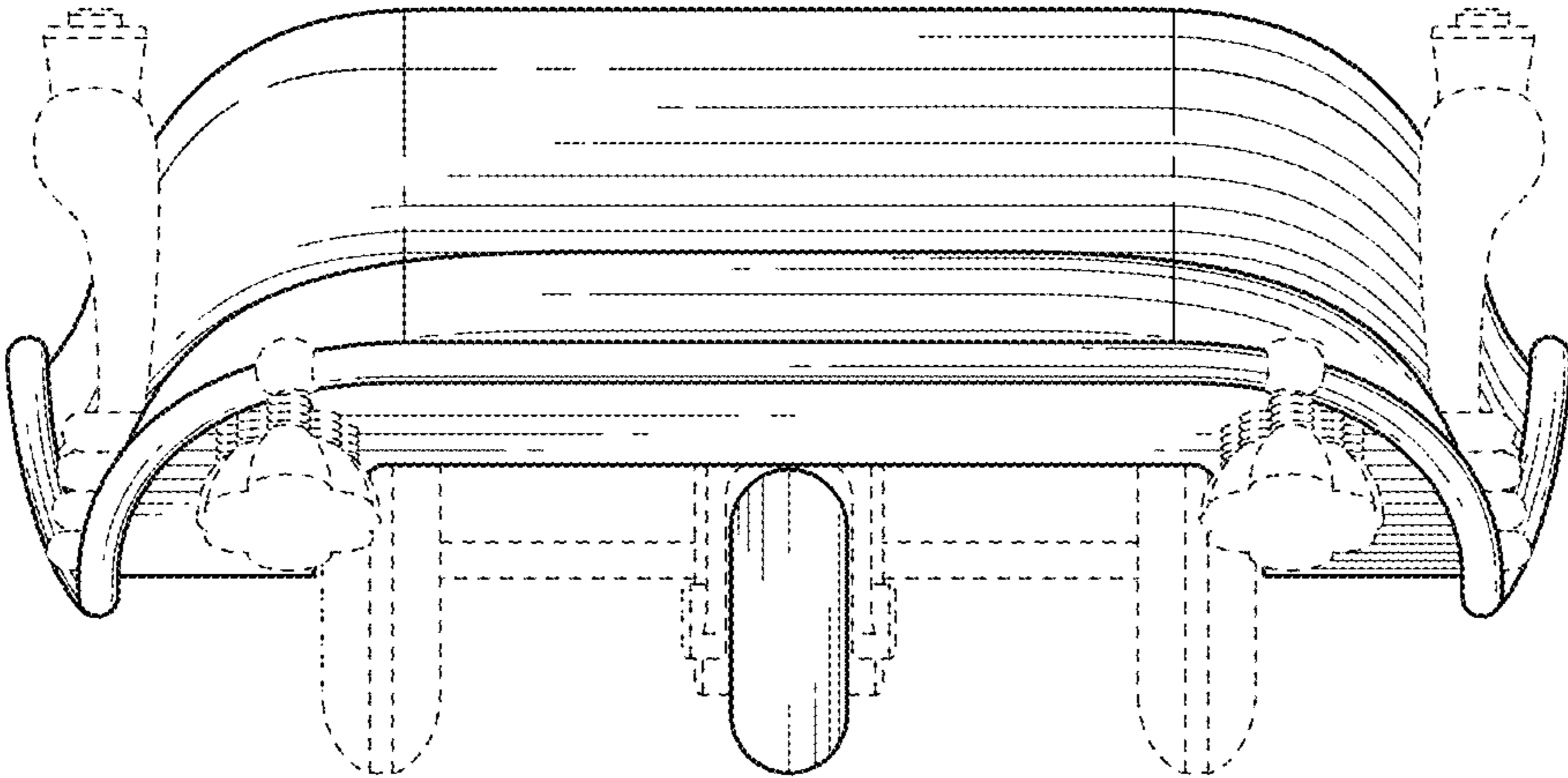


FIG. 3

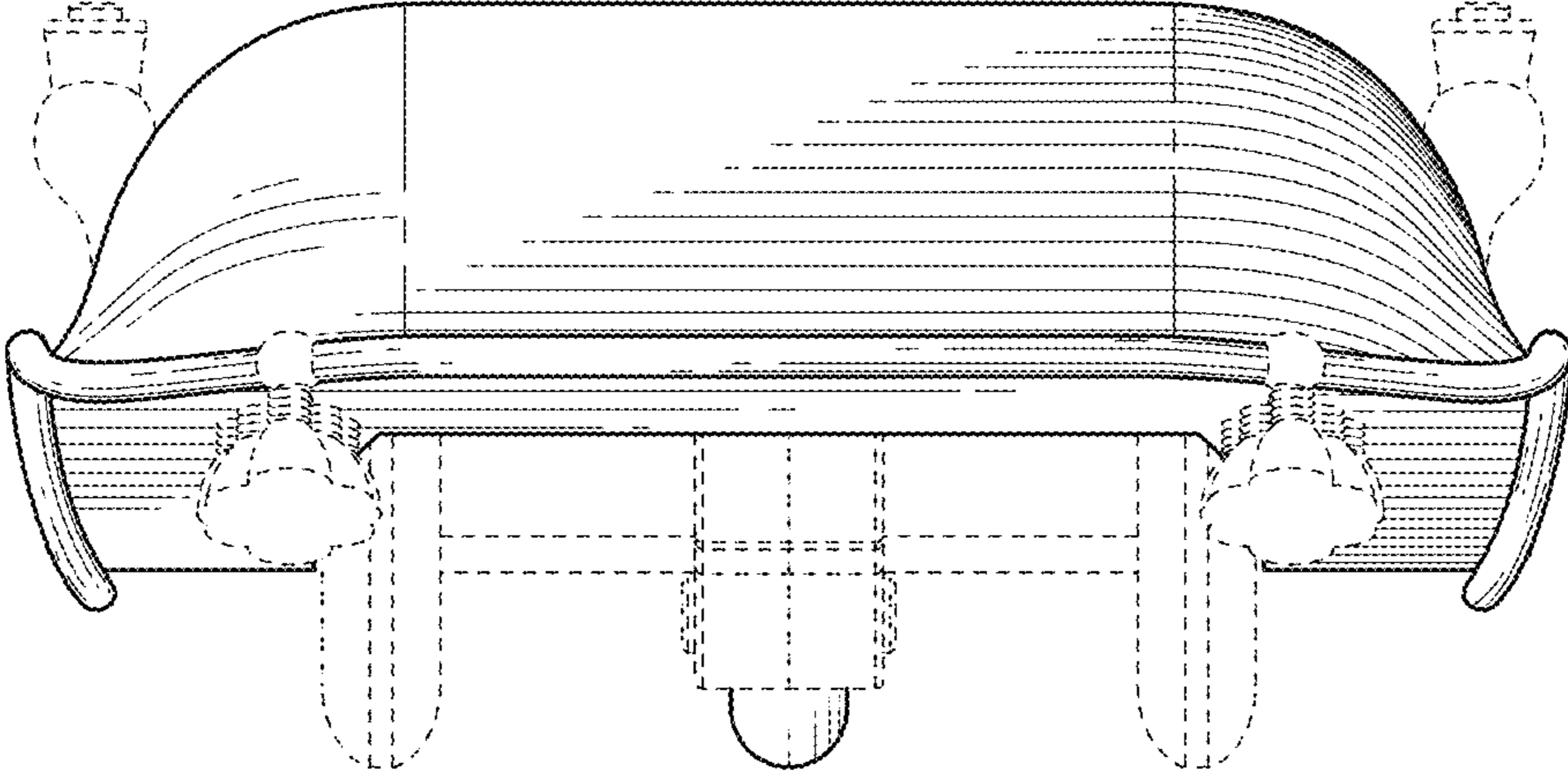


FIG. 4

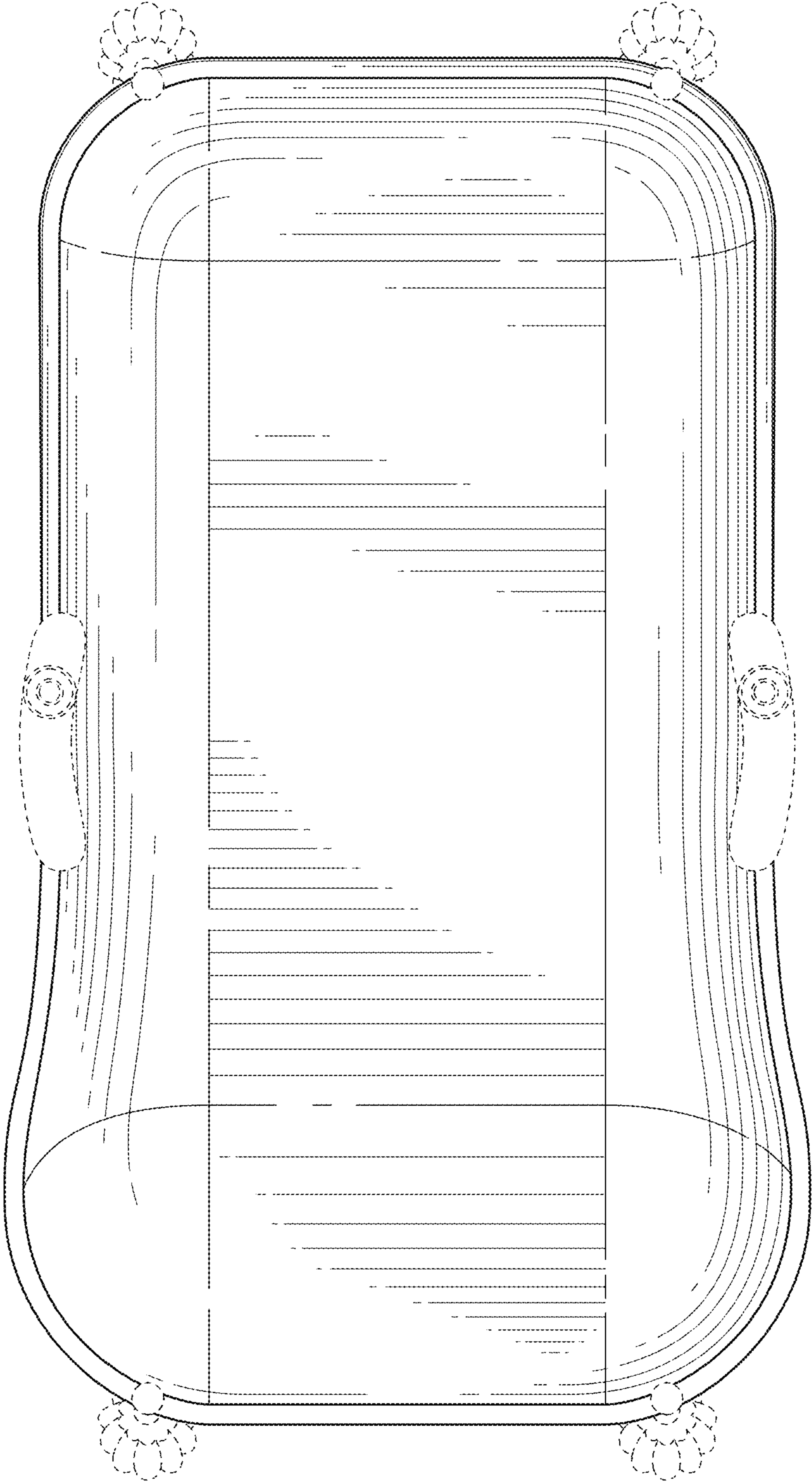


FIG. 5

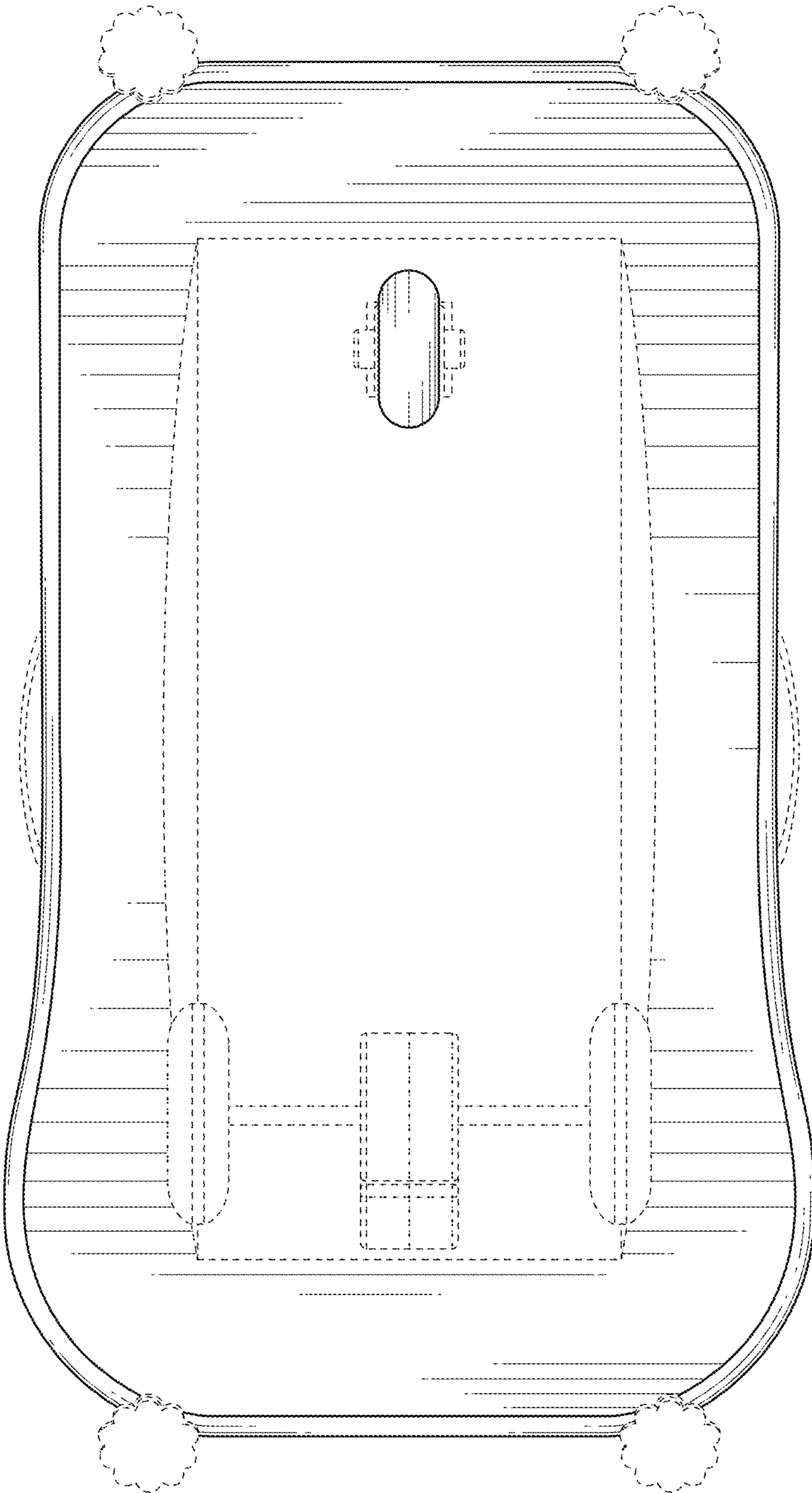


FIG. 6