

US00D807437S

(12) **United States Design Patent**  
**Rivera et al.**

(10) **Patent No.:** **US D807,437 S**  
(45) **Date of Patent:** **\*\* Jan. 9, 2018**

- (54) **CARD BOX**
- (71) Applicant: **CHEROKEE NATION ENTERTAINMENT, LLC**, Catoosa, OK (US)
- (72) Inventors: **Lana Rivera**, Tulsa, OK (US); **Shannon Bolton**, Tulsa, OK (US)
- (73) Assignee: **Cherokee Nation Entertainment, LLC**, Catoos, OK (US)
- (\*\*) Term: **15 Years**
- (21) Appl. No.: **29/583,532**
- (22) Filed: **Nov. 7, 2016**
- (51) **LOC (11) Cl.** ..... **21-01**
- (52) **U.S. Cl.**  
USPC ..... **D21/394**
- (58) **Field of Classification Search**  
USPC ..... D21/300, 334, 335, 363, 365, 369, D21/376-383, 385, 386, 388, 389, D21/392-394, 396, 397, 483, 576, 621, D21/627; D25/113-115, 118  
CPC ..... A63F 1/001; A63F 1/003; A63F 1/005; A63F 1/006; A63F 1/062; A63F 1/067; A63F 1/08; A63F 1/10; A63F 1/12; A63F 1/14; A63F 7/0017; A63F 7/0023; A63F 9/20  
See application file for complete search history.

- 3,586,010 A \* 6/1971 Landen ..... A45D 40/22 132/287
- 3,743,294 A \* 7/1973 Forster ..... A63F 1/14 273/149 P
- D264,009 S \* 4/1982 Lam ..... D28/25
- D305,781 S \* 1/1990 Ukisu ..... D21/483
- D381,703 S \* 7/1997 Wiles ..... D21/392
- D548,969 S \* 8/2007 Bramley ..... D21/394
- 2005/0259407 A1\* 11/2005 Ueno ..... G09F 3/20 361/752

\* cited by examiner

*Primary Examiner* — George D. Kirschbaum

*Assistant Examiner* — Joseph J Kukella

(74) *Attorney, Agent, or Firm* — Millikin McKay PLLC

(57) **CLAIM**

The ornamental design for a card box, as shown and described.

**DESCRIPTION**

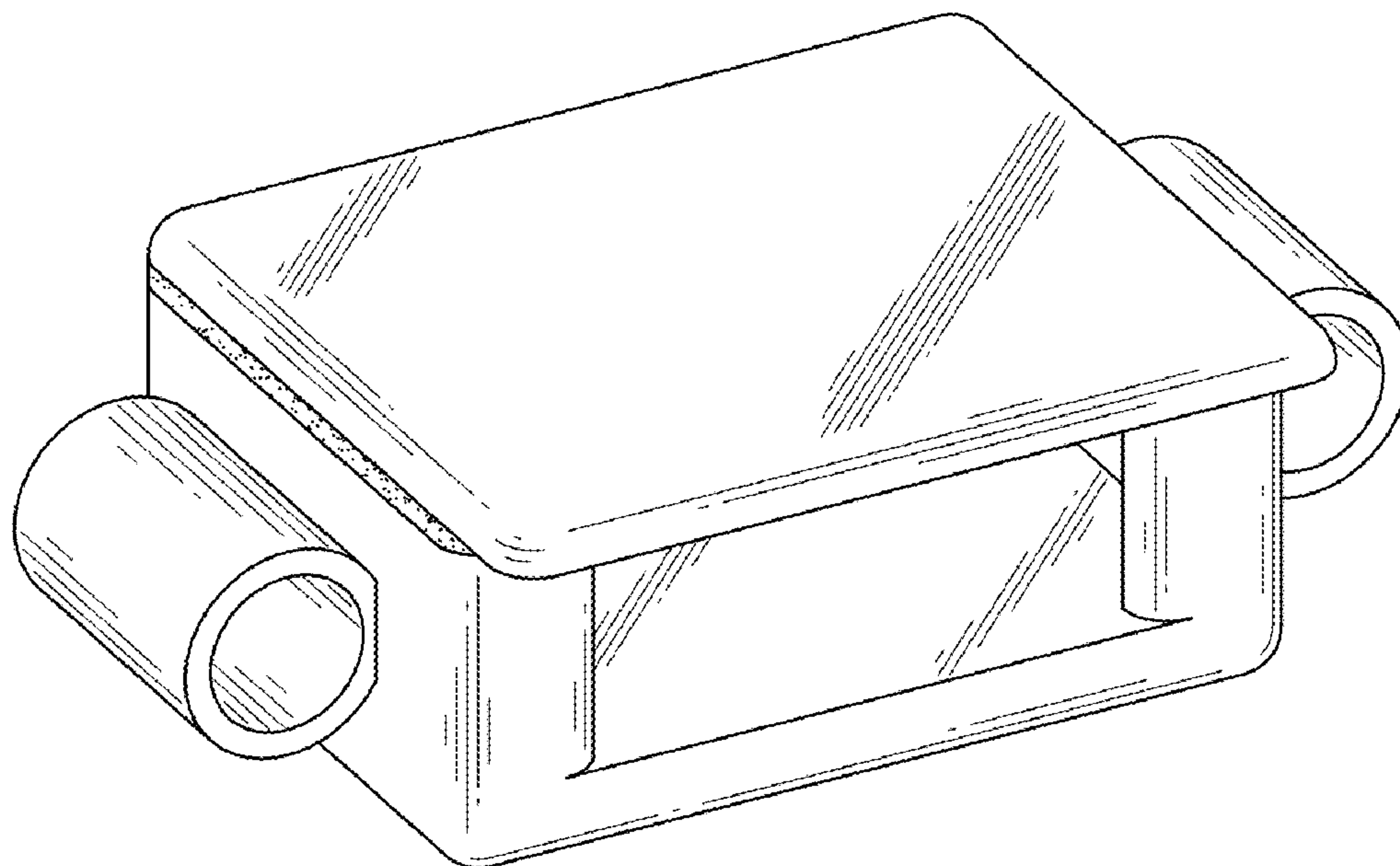
FIG. 1 is a top frontal perspective view of a card box constructed in accordance with a preferred embodiment of the present invention shown with the lid closed;  
 FIG. 2 is a top frontal perspective exploded view of the card box of FIG. 1 shown with the lid open;  
 FIG. 3 is a bottom frontal perspective view of the opened card box of FIG. 2;  
 FIG. 4 is a front plan view of the closed card box of FIG. 1;  
 FIG. 5 is a rear plan view of the closed card box of FIG. 1;  
 FIG. 6 is a right side view of the closed card box of FIG. 1;  
 FIG. 7 is a top plan view of the closed card box of FIG. 1; and,  
 FIG. 8 is a bottom plan view of closed card box of FIG. 1.

**1 Claim, 4 Drawing Sheets**

(56) **References Cited**

U.S. PATENT DOCUMENTS

- 424,126 A \* 3/1890 Palmer ..... A63F 1/06 235/90
- 3,140,777 A \* 7/1964 Gordan ..... A45C 11/24 206/315.1



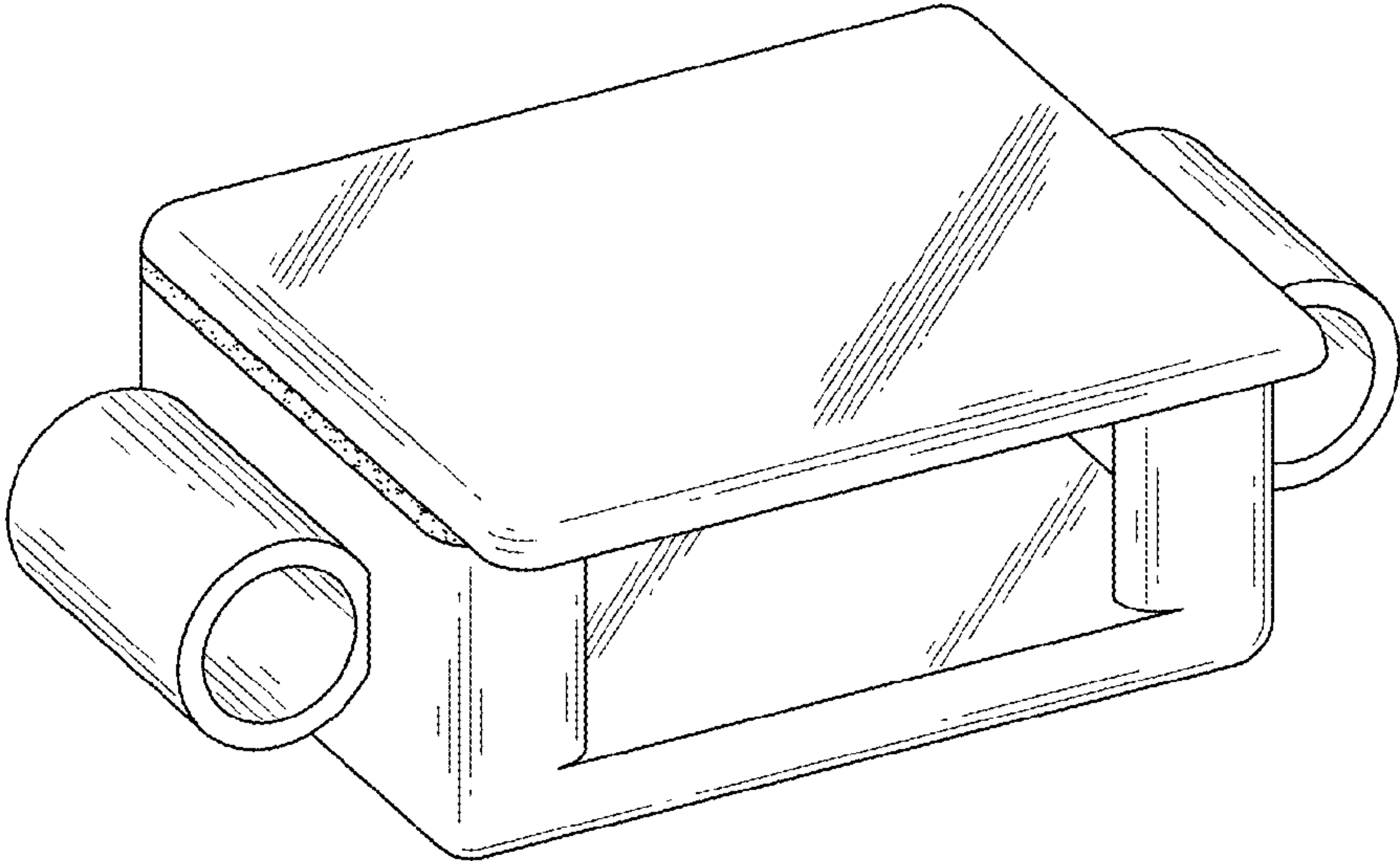


FIG. 1

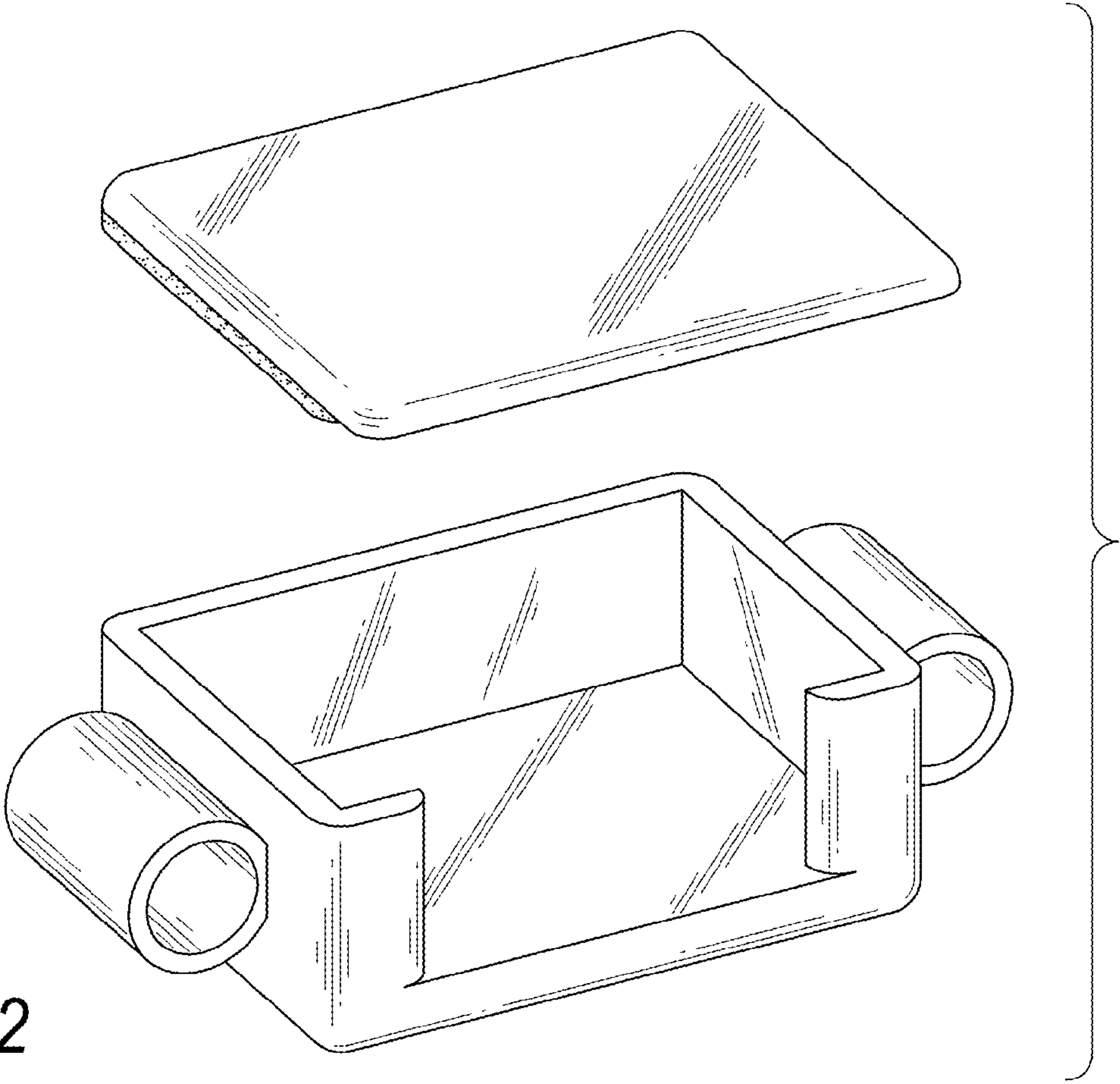


FIG. 2

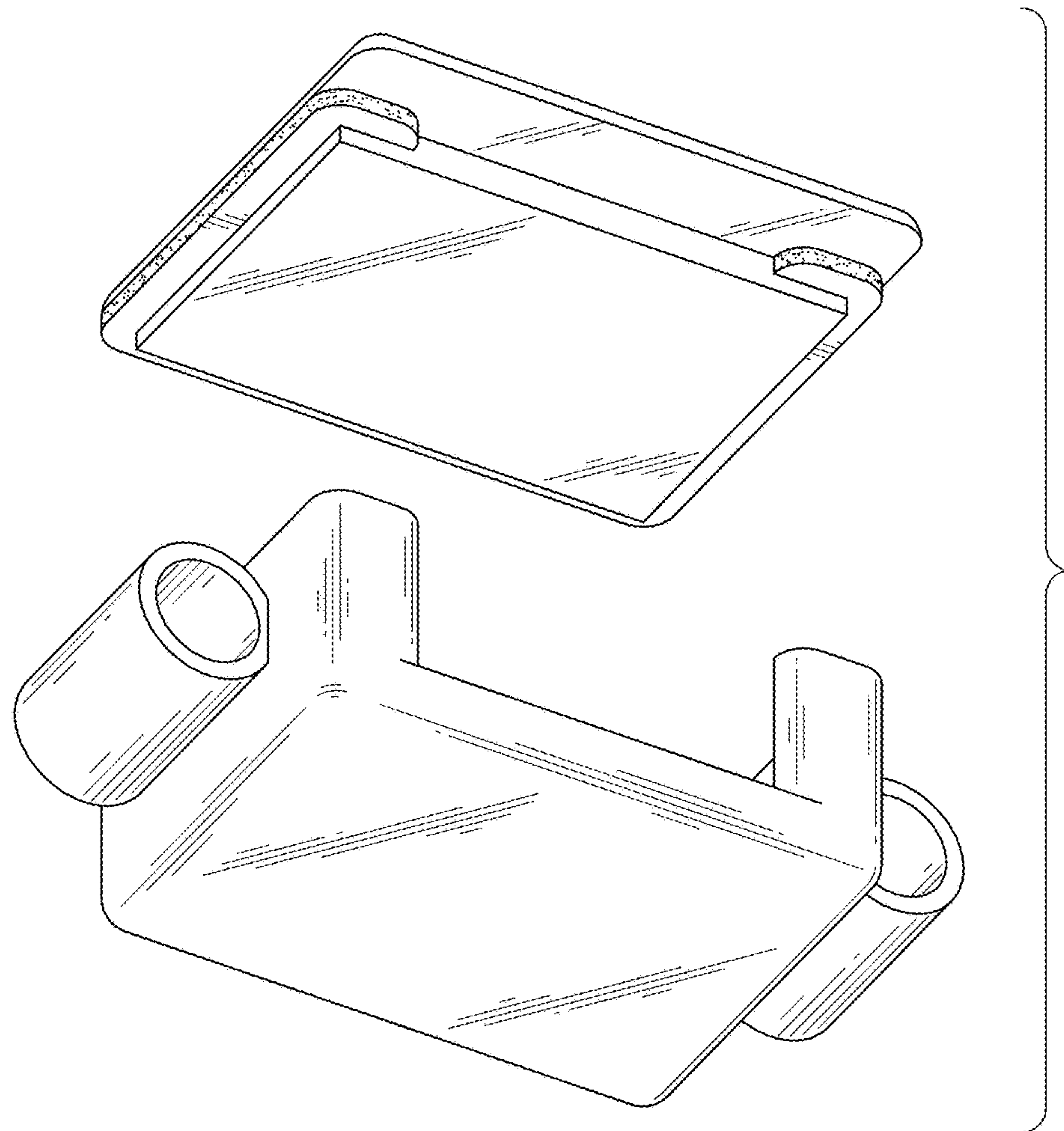


FIG. 3

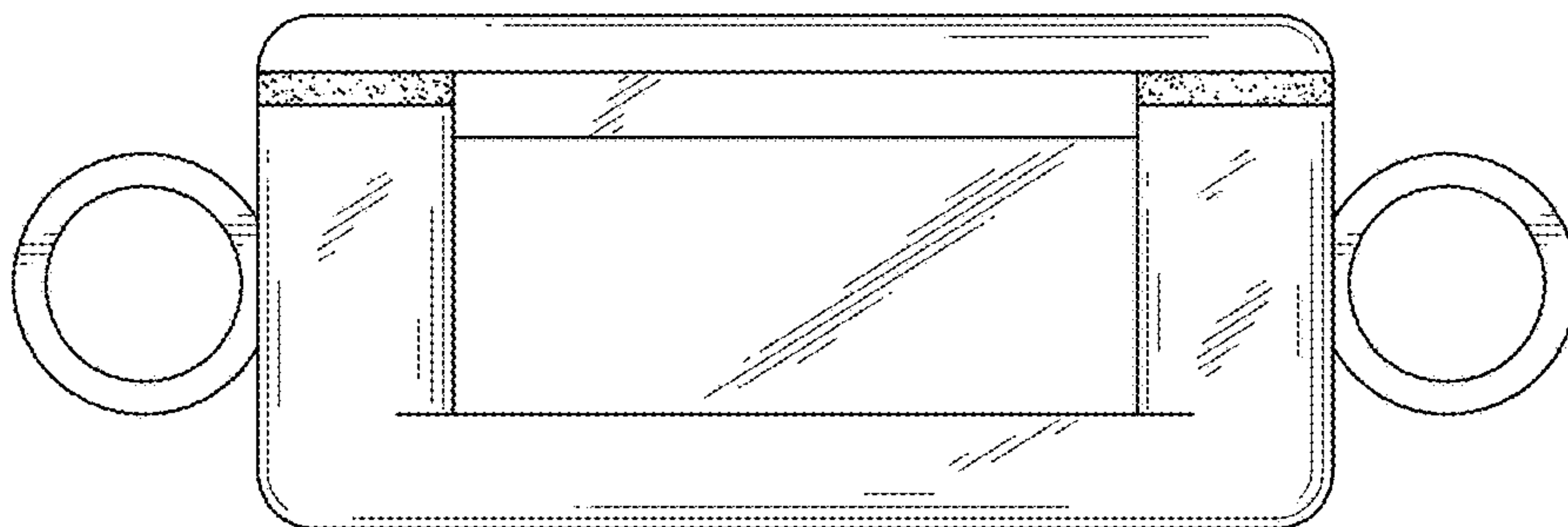


FIG. 4

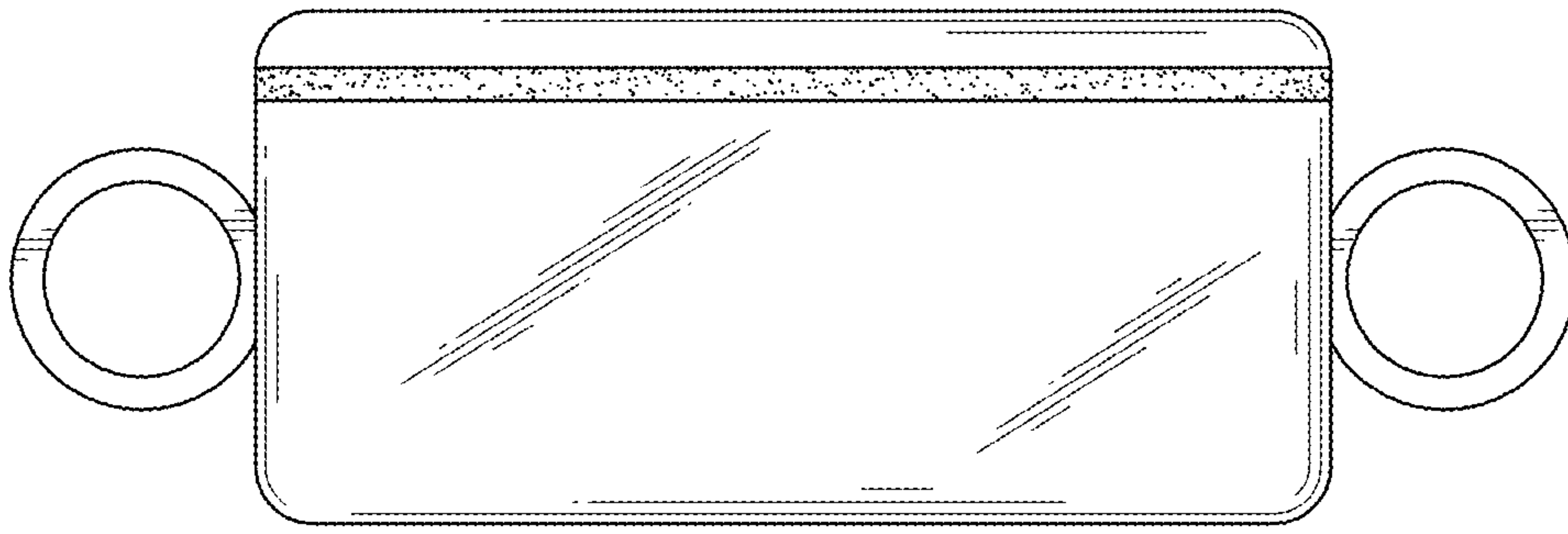


FIG. 5

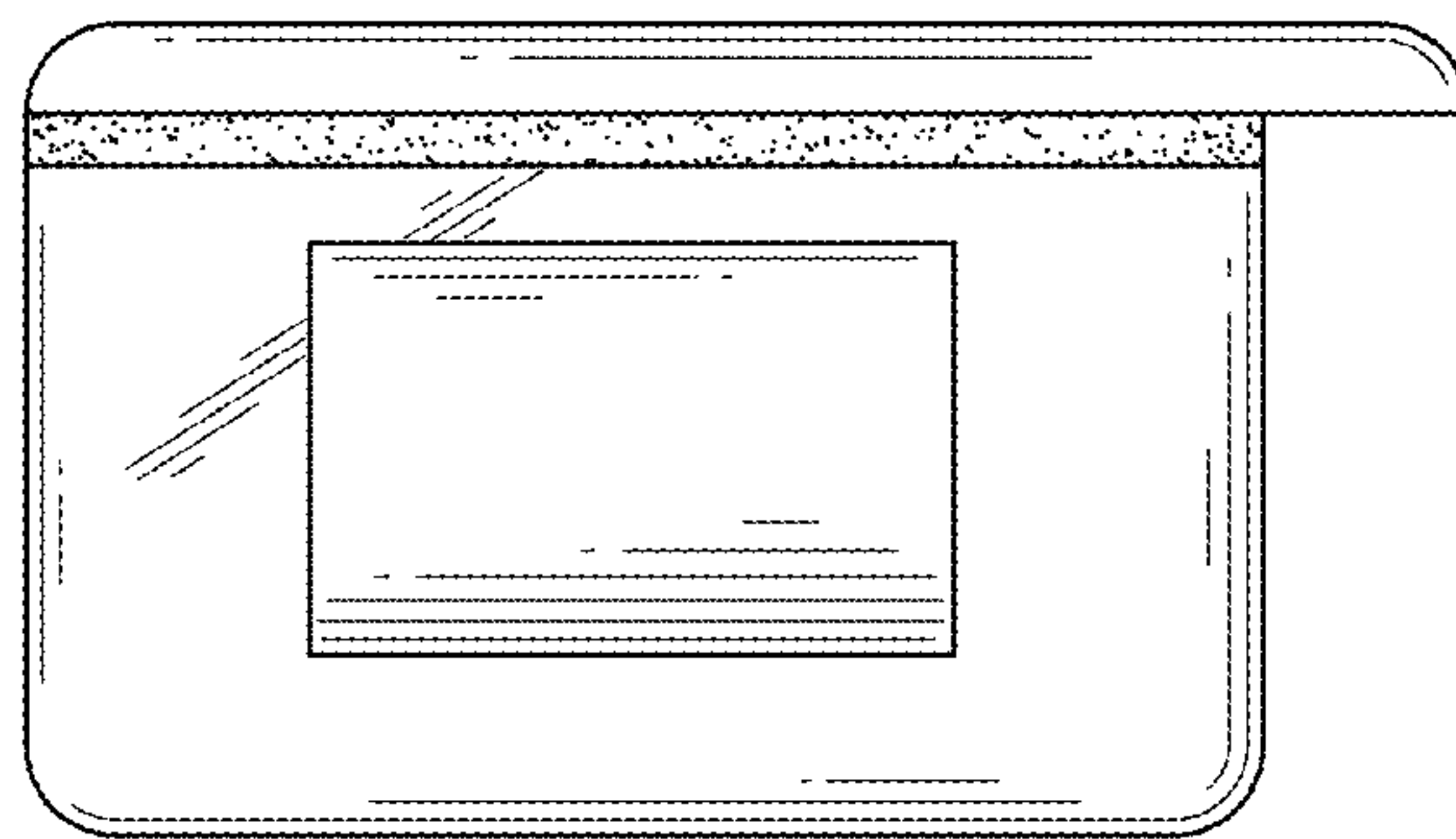


FIG. 6



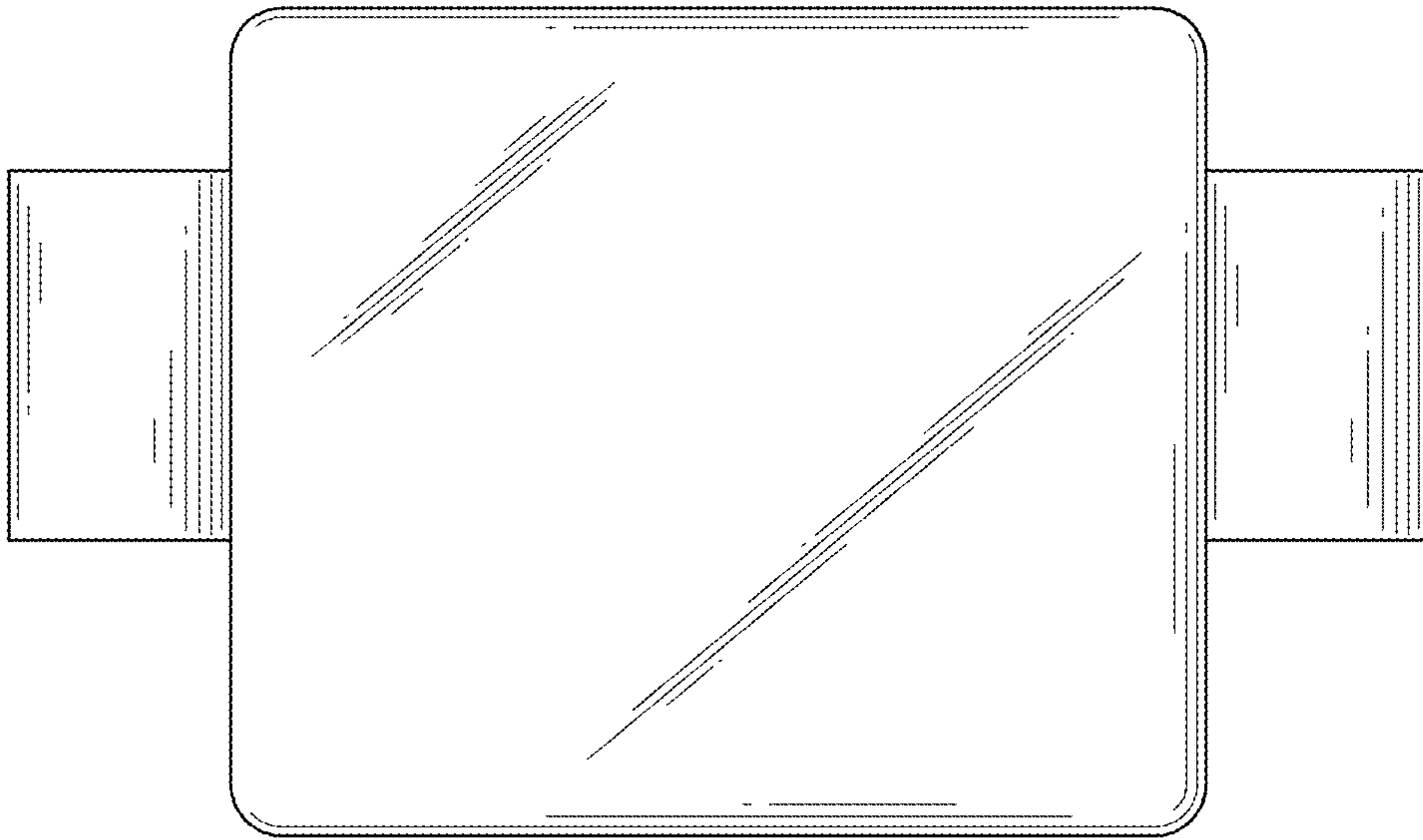


FIG. 7

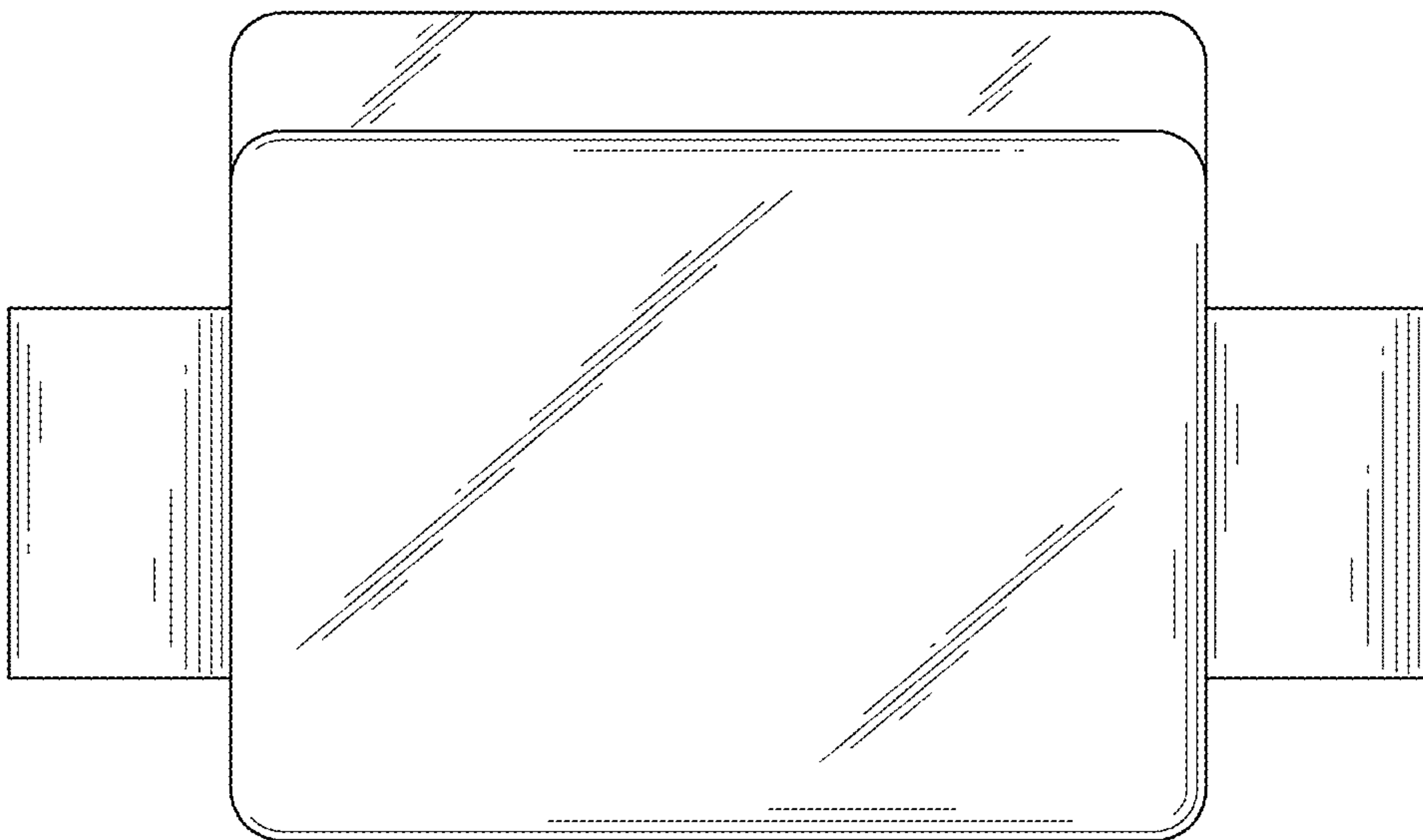


FIG. 8