



US00D807431S

(12) **United States Design Patent**
Mathkar et al.

(10) **Patent No.:** **US D807,431 S**
(45) **Date of Patent:** **** Jan. 9, 2018**

(54) **PORTABLE WELDING SIMULATOR**

(71) Applicant: **Lincoln Global, Inc.**, City of Industry, CA (US)

(72) Inventors: **Suyash Mathkar**, Cleveland, OH (US);
Brian Meess, Willoughby, OH (US);
Antonius Aditjandra, Chardon, OH (US);
Sarah Evans, Garrettsville, OH (US);
Gary Todd, Cleveland, OH (US)

(73) Assignee: **LINCOLN GLOBAL, INC.**, City of Industry, CA (US)

(**) Term: **15 Years**

(21) Appl. No.: **29/542,976**

(22) Filed: **Oct. 20, 2015**

(51) **LOC (11) Cl.** **19-07**

(52) **U.S. Cl.**
USPC **D19/59**

(58) **Field of Classification Search**

USPC D19/59-64, 92; 434/87, 127, 128, 130, 434/159, 170, 172, 188, 189, 219, 224, 434/234, 236, 238, 258-262, 267-268, 434/271, 272, 276, 307 R, 370, 393, 401; D10/76; D21/372, 483, 525, 529, 662, D21/694, 791; 273/146, 237, 239, 259, 273/272, 274, 283, 296, 299, 454; D3/203.7, 215, 272, 273, 276, 279, D3/280-284, 304, 310; 446/75, 473
CPC A61B 90/36; A63B 67/02; A63B 67/066; A63F 3/00; A63F 3/00006; A63F 3/00157; A63F 3/0023; A63F 3/00574; A63F 3/00895; A63F 3/0415; A63F 3/0423; A63F 3/0434; A63F 3/0478; A63F 9/00; A63F 9/0098; A63F 9/04; A63F 9/0604; A63F 9/24; A63H 33/30; G09B 1/00; G09B 1/02; G09B 1/32; G09B 1/34; G09B 1/36; G09B 17/00; G09B 19/00; G09B 19/02; G09B 19/003;

G09B 19/061; G09B 19/08; G09B 19/24; G09B 23/00; G09B 23/24; G09B 23/28; G09B 23/285; G09B 23/30; G09B 23/32; G09B 23/34; G09B 23/183; G09B 23/185; G09B 23/283; G09B 25/00; G09B 5/00; G09B 5/02; G09B 5/062; G09B 5/065; G09B 7/04; G09B 9/00; G09B 9/02; G09B 9/003

See application file for complete search history.

(56)

References Cited

U.S. PATENT DOCUMENTS

D142,377 S	9/1945	Dunn	
D152,049 S	12/1948	Welch, Jr.	
D176,942 S	2/1956	Cross	
3,867,769 A *	2/1975	Schow G09B 19/24 434/234
D243,459 S	2/1977	Bliss	
4,035,929 A *	7/1977	Groff G09B 7/04 434/308
4,132,014 A *	1/1979	Schow G09B 19/24 434/234
D275,292 S	8/1984	Bouman	

(Continued)

Primary Examiner — Ian Simmons

Assistant Examiner — Mark Cavanna

(57)

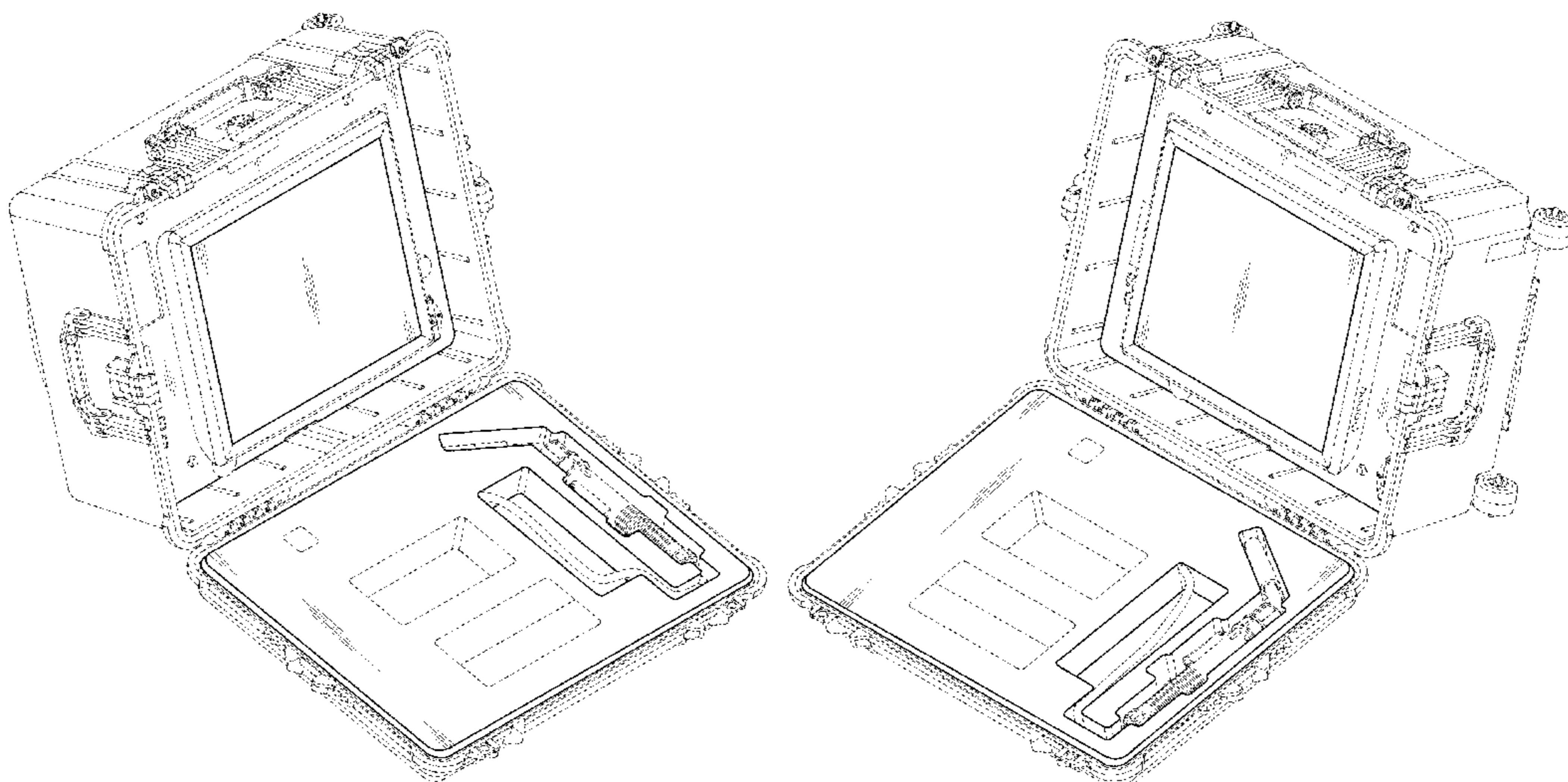
CLAIM

The ornamental design for a portable welding simulator, as shown and described.

DESCRIPTION

FIG. 1 is a left perspective view of a portable welding simulator, according to the inventor; FIG. 2 is a right perspective view thereof; FIG. 3 is a front view thereof; and, FIG. 4 is a top view thereof. The broken lines shown in the Figures are for environmental purposes only and form no part of the claimed invention.

1 Claim, 4 Drawing Sheets



(56)

References Cited

U.S. PATENT DOCUMENTS

D277,761 S 2/1985 Korovin et al.
 D280,329 S 8/1985 Bouman
 D282,762 S * 2/1986 Catelli D21/529
 4,604,064 A * 8/1986 Boehm G09B 9/003
 434/224
 D293,556 S * 1/1988 Klojcnik D10/76
 D358,340 S * 5/1995 Murata D10/76
 D359,296 S 6/1995 Witherspoon
 D365,583 S 12/1995 Viken
 D396,238 S 7/1998 Schmitt
 D475,726 S 6/2003 Suga et al.
 D482,171 S 11/2003 Vui et al.
 D504,449 S 4/2005 Butchko
 D561,973 S 2/2008 Kinsley et al.
 D602,057 S 10/2009 Osicki
 D606,102 S 12/2009 Bender et al.
 D631,074 S 1/2011 Peters et al.
 8,056,901 B2 * 11/2011 Charney A63F 3/00006
 273/237
 8,248,324 B2 * 8/2012 Nangle G09B 19/24
 434/219

8,747,116 B2 * 6/2014 Zboray G09B 19/24
 219/130.21
 8,777,629 B2 * 7/2014 Kreindl G09B 19/24
 434/234
 8,851,896 B2 * 10/2014 Wallace G09B 5/00
 434/234
 8,911,237 B2 * 12/2014 Postlethwaite G09B 19/003
 434/219
 D727,421 S * 4/2015 Elder D19/62
 2009/0298024 A1 * 12/2009 Batzler G09B 19/003
 434/234
 2013/0196296 A1 * 8/2013 Peters G09B 19/24
 434/234
 2013/0230832 A1 * 9/2013 Peters G09B 19/24
 434/234
 2014/0134580 A1 * 5/2014 Becker G09B 19/003
 434/234
 2015/0125836 A1 * 5/2015 Daniel G09B 19/24
 434/234
 2015/0194073 A1 * 7/2015 Becker G09B 19/24
 434/234
 2016/0012750 A1 * 1/2016 Wallace G09B 19/24
 434/234

* cited by examiner

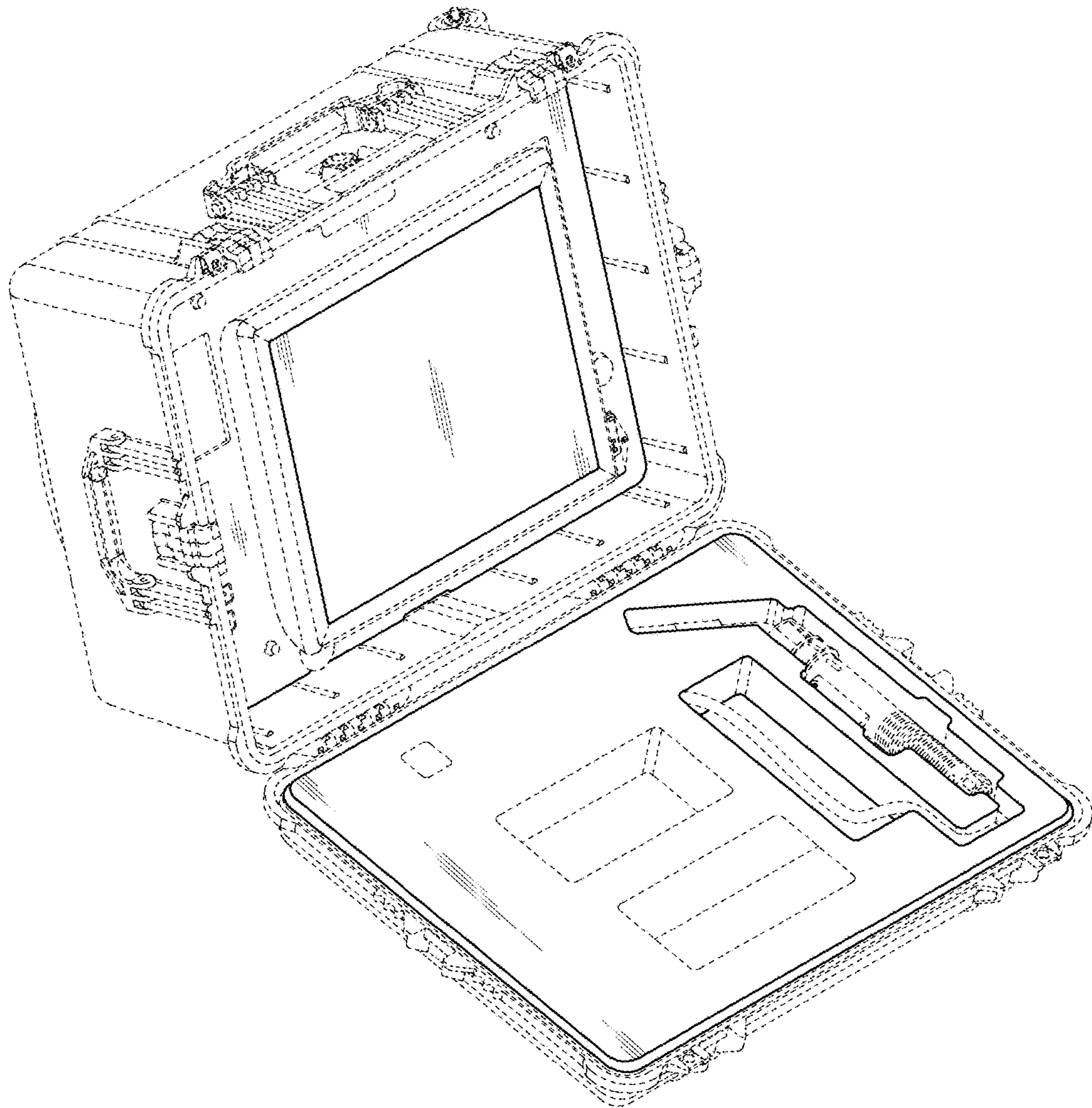


FIG. 1

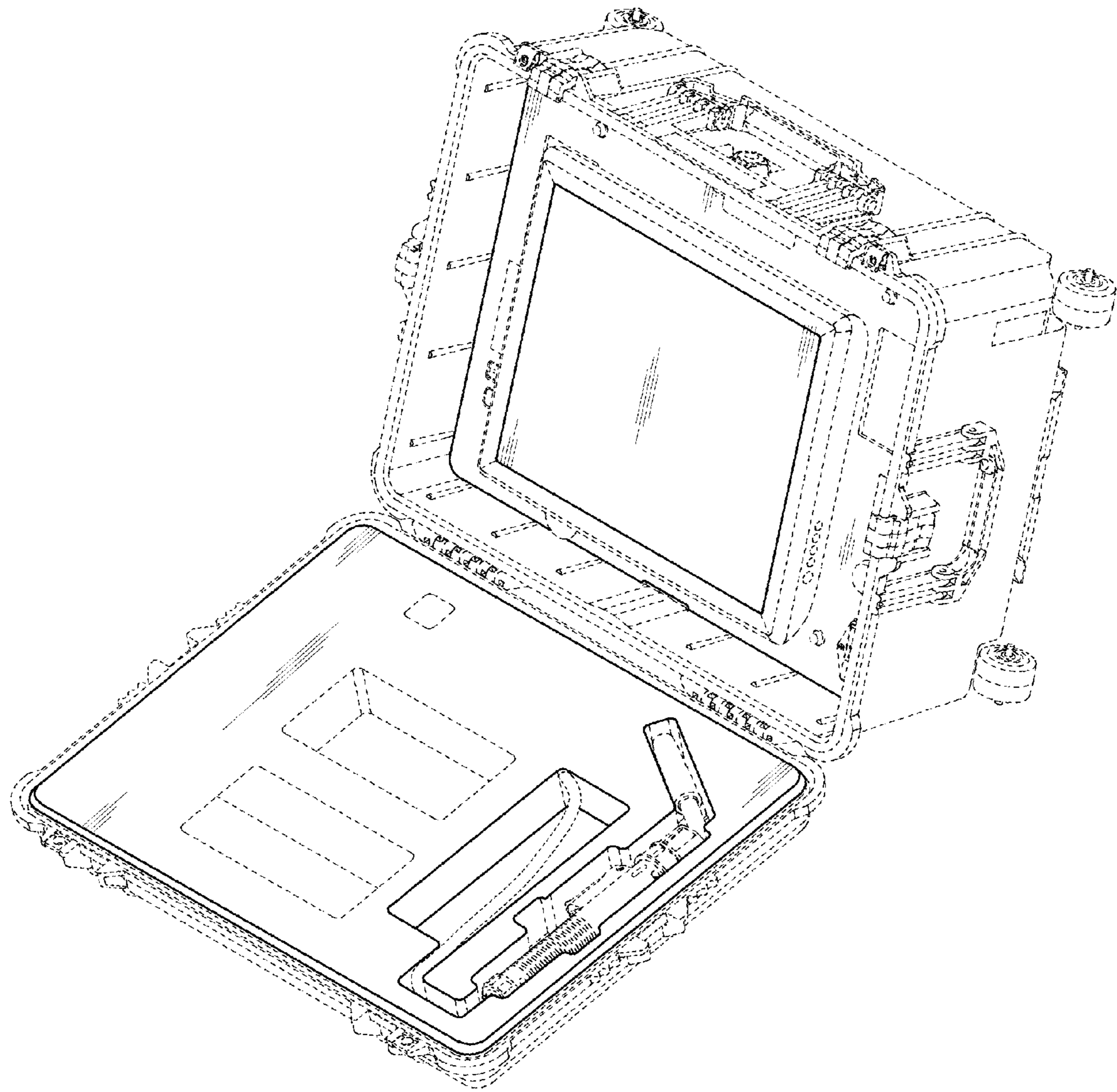


FIG. 2

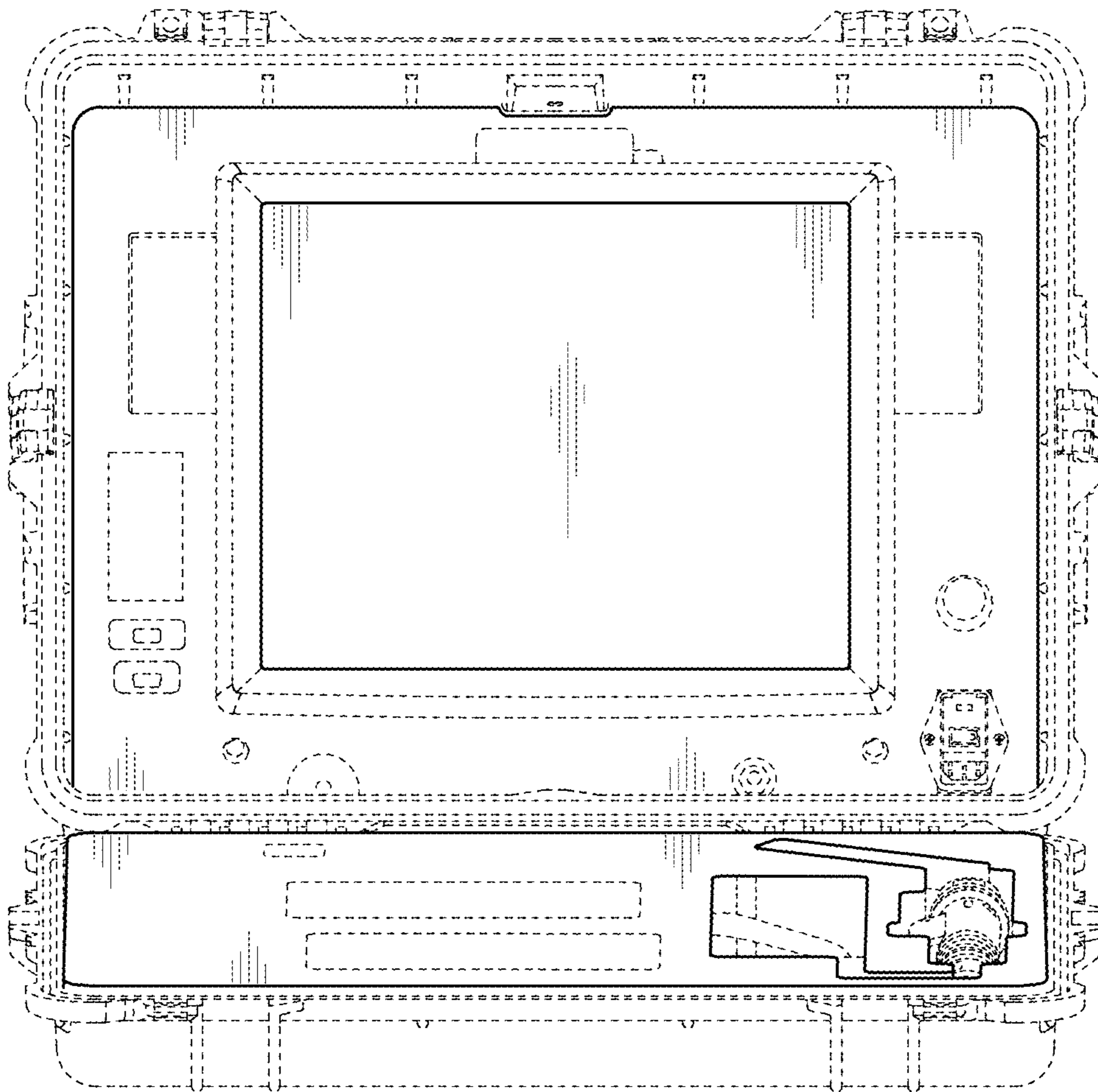


FIG. 3

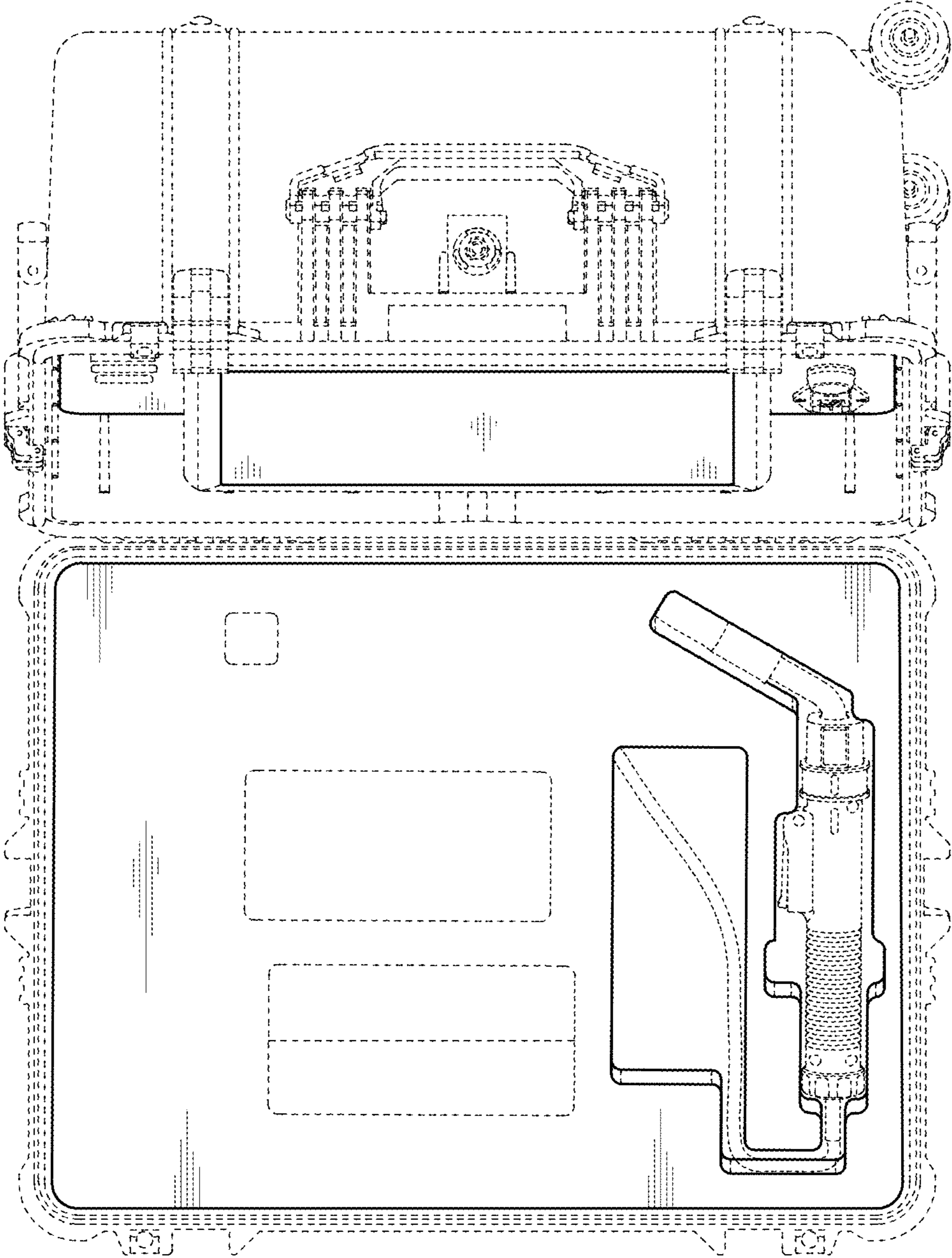


FIG. 4