



US00D807429S

(12) **United States Design Patent**
Ando et al.

(10) **Patent No.:** **US D807,429 S**
(45) **Date of Patent:** **** Jan. 9, 2018**

(54) **PRINTER MECHANISM**
(71) Applicant: **SEIKO INSTRUMENTS INC.**,
Chiba-shi, Chiba (JP)
(72) Inventors: **Norihisa Ando**, Chiba (JP); **Takumi Seino**, Chiba (JP)
(73) Assignee: **SEIKO INSTRUMENTS INC.** (JP)
(**) Term: **14 Years**

D314,212 S * 1/1991 Komada D18/36
D334,203 S * 3/1993 Tajima D18/12
D360,428 S * 7/1995 Hayashihara D18/50
D362,267 S * 9/1995 Yamanaka D18/50
D401,614 S * 11/1998 Moriyama D18/36
7,059,793 B2 * 6/2006 Mori B26D 1/085
400/613
D646,712 S * 10/2011 Hashimoto D18/43
D655,332 S * 3/2012 Fujii D18/43
D679,750 S * 4/2013 Fujii D18/43
D689,924 S * 9/2013 Sakai D18/14
D727,412 S * 4/2015 Oda D18/43

(Continued)

(21) Appl. No.: **29/501,543**
(22) Filed: **Sep. 5, 2014**
(30) **Foreign Application Priority Data**

Mar. 13, 2014 (JP) 2014-005383

(51) **LOC (11) Cl.** **18-02**

(52) **U.S. Cl.**
USPC **D18/56**

(58) **Field of Classification Search**
USPC D18/36-9, 5, 54, 54.1, 55, 12, 43;
D14/420-425, 462-470; 400/613,
400/613.1-613.4, 690.1-690.4, 691-694
CPC . B41J 3/4074; B41J 11/58; B41J 13/00; B41J
13/106; B41J 15/12; B41J 17/00; B41J
29/02; B41J 29/08

See application file for complete search history.

(56) **References Cited**

U.S. PATENT DOCUMENTS

D186,474 S * 10/1959 Robbins D18/39
D272,545 S * 2/1984 Latino D18/12
D283,136 S * 3/1986 Serbinski D18/36
D286,545 S * 11/1986 Tezuka D18/12
D293,578 S * 1/1988 Matsumoto D18/55
D303,541 S * 9/1989 Aoyama D18/36
D312,652 S * 12/1990 Fukuda D18/36
D313,616 S * 1/1991 Tokuda D18/36
D313,813 S * 1/1991 Tokuda D18/36

OTHER PUBLICATIONS

<http://sii-thermalprinters.com/thermal-printers/thermal-printer-mechanisms-LTP02.aspx>; Thermal Printer Mechanism; Sep. 23, 2015.*

(Continued)

Primary Examiner — Cathy Anna MacCormac
(74) *Attorney, Agent, or Firm* — Klintworth & Rozenblat IP LLP; Bruce L. Adams, Esq.

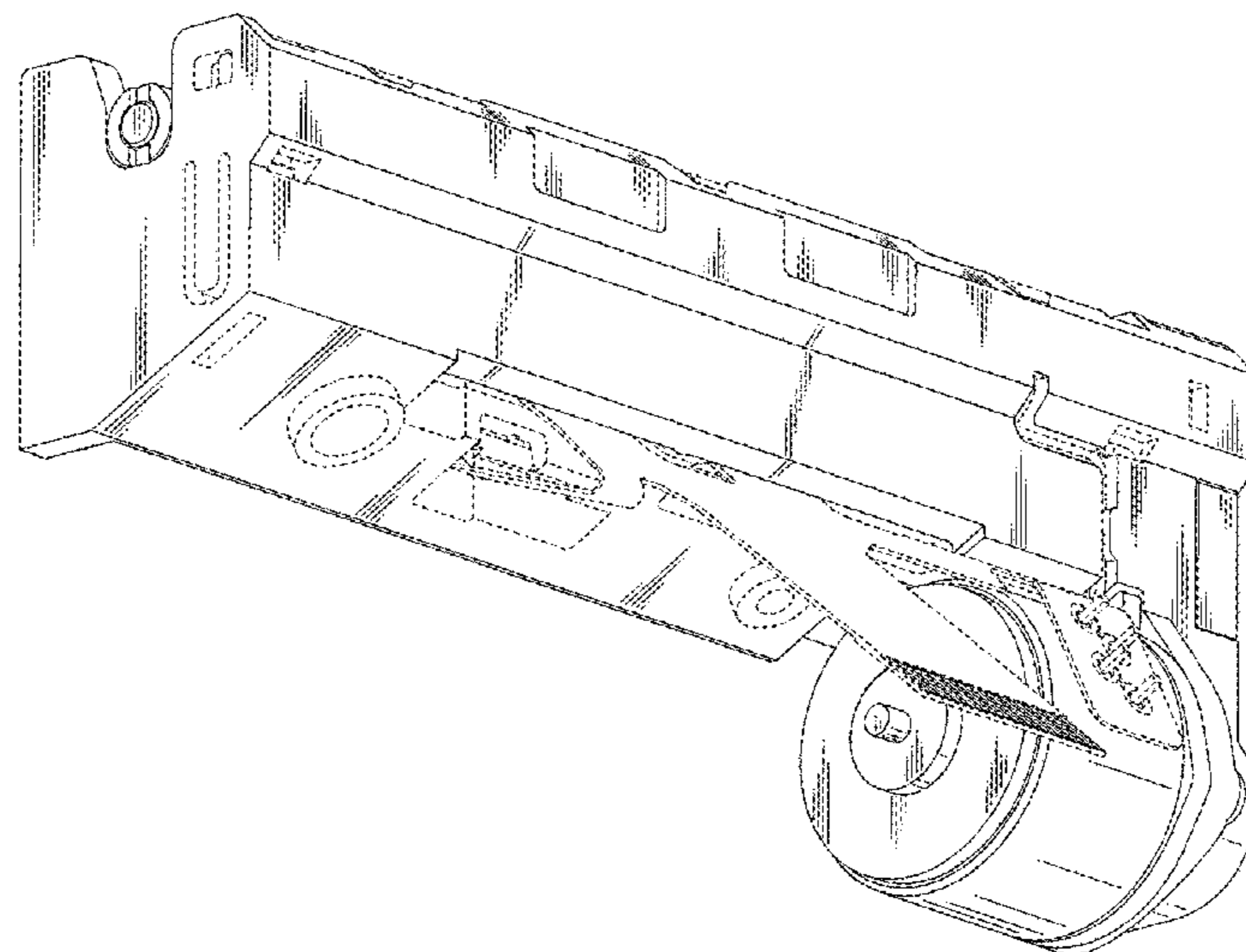
(57) **CLAIM**

The ornamental design for a printer mechanism, as shown and described.

DESCRIPTION

FIG. 1 is a front and left side perspective view of a printer mechanism showing our new design;
FIG. 2 is a rear and left side perspective view thereof;
FIG. 3 is a front view thereof;
FIG. 4 is a rear view thereof;
FIG. 5 is a left side view thereof;
FIG. 6 is a right side view thereof;
FIG. 7 is a top plan view thereof; and,
FIG. 8 is a bottom plan view thereof.
The broken lines depict environmental subject matter and form no part of the claimed design.

1 Claim, 7 Drawing Sheets



(56)

References Cited

U.S. PATENT DOCUMENTS

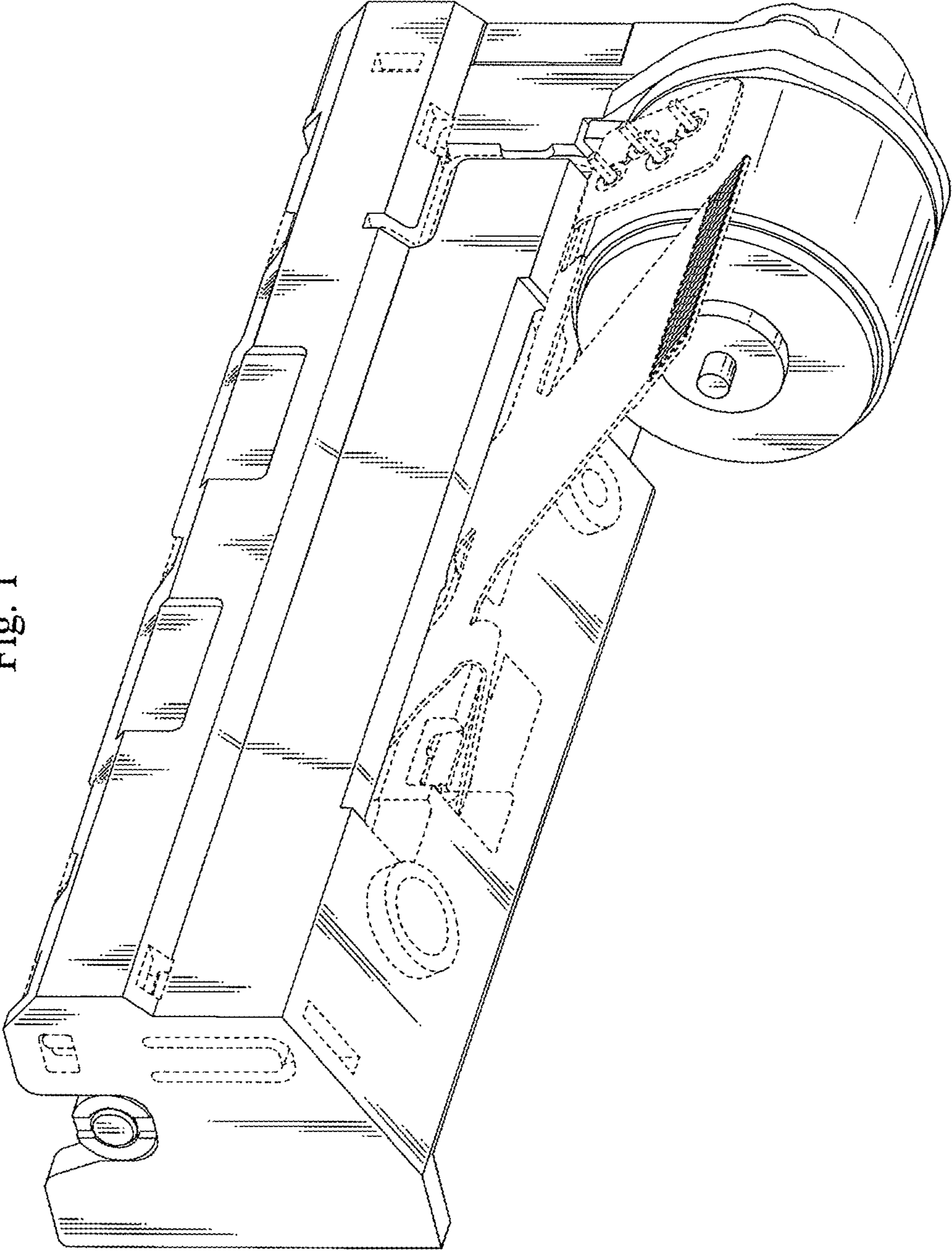
D729,311 S * 5/2015 Campanini D18/50
D736,773 S * 8/2015 Okamoto D14/422

OTHER PUBLICATIONS

<https://web.archive.org/web/20080427200017/http://sii-thermalprinters.com/thermal-printers/thermal-printer-mechanisms-LTPZ245.aspx>; Thermal Printer Mechanism; Apr. 27, 2008.*

* cited by examiner

Fig. 1



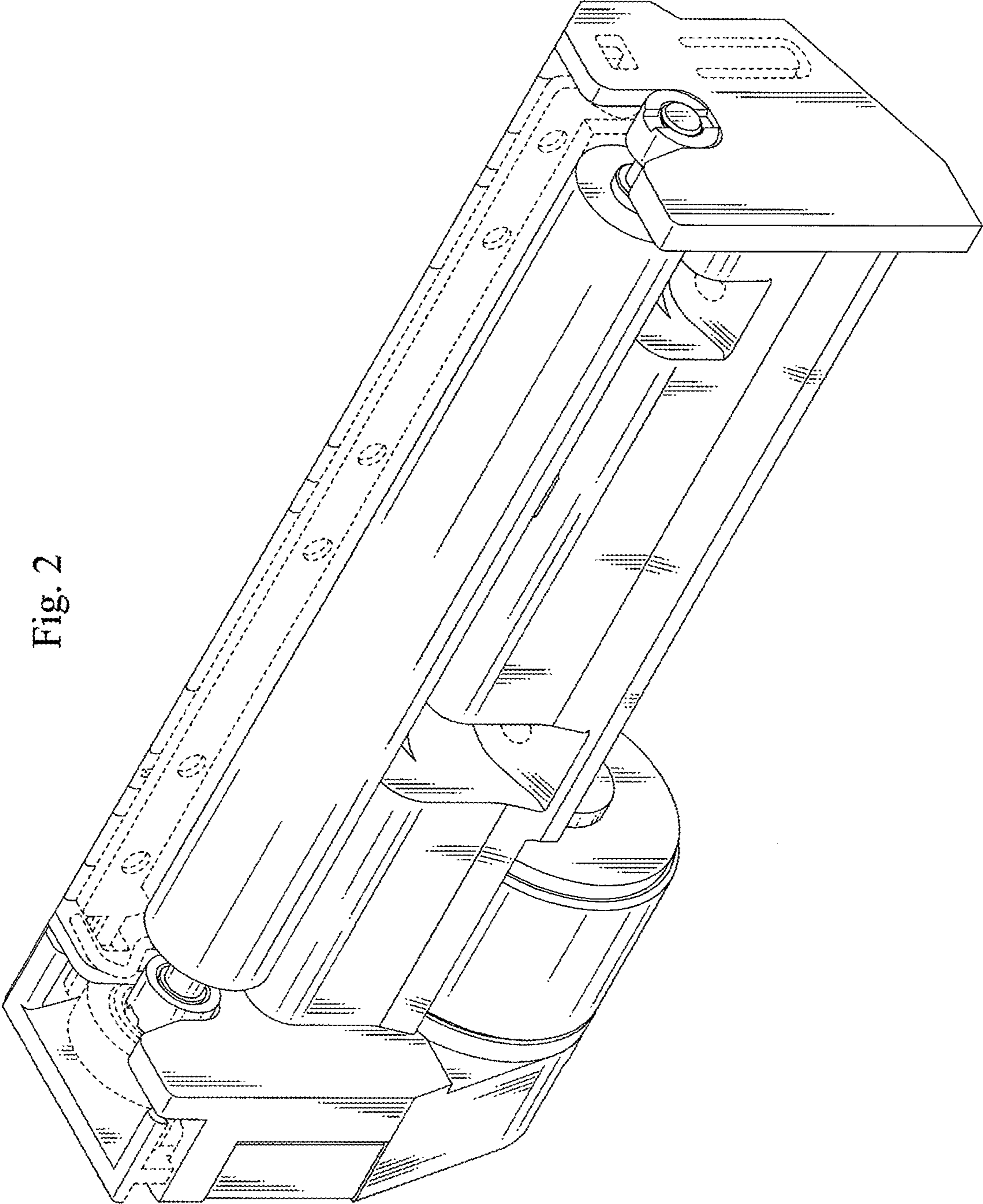


Fig. 2

Fig. 3

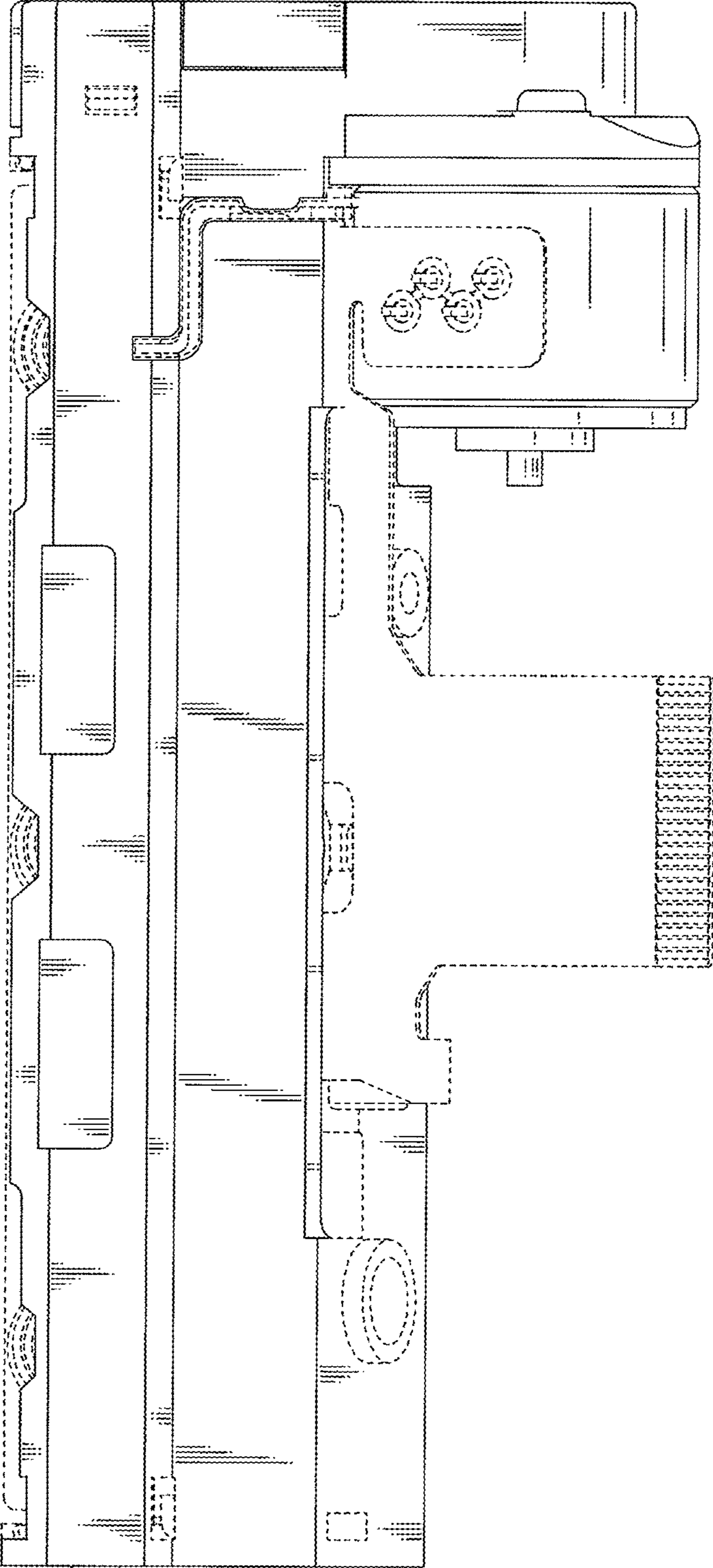


Fig. 4

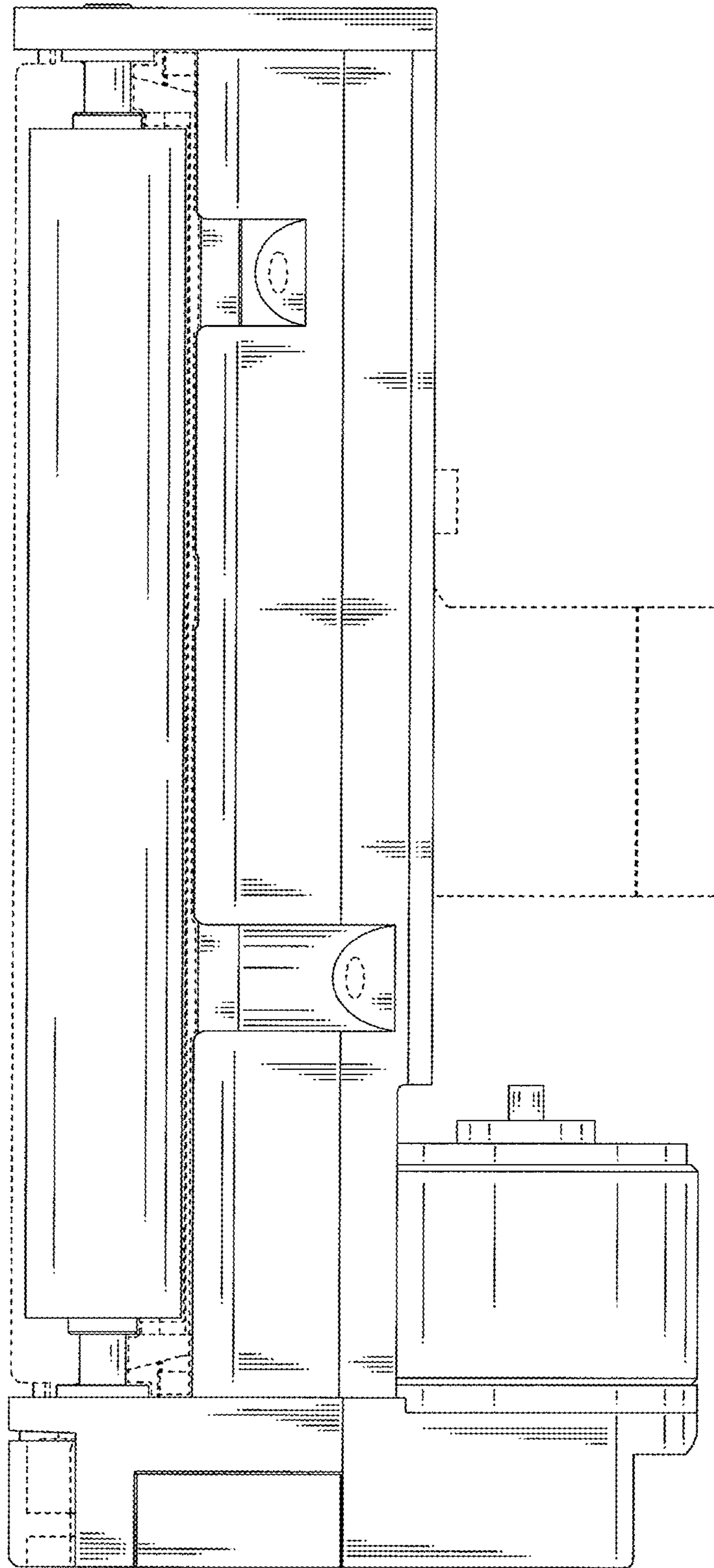


Fig. 6

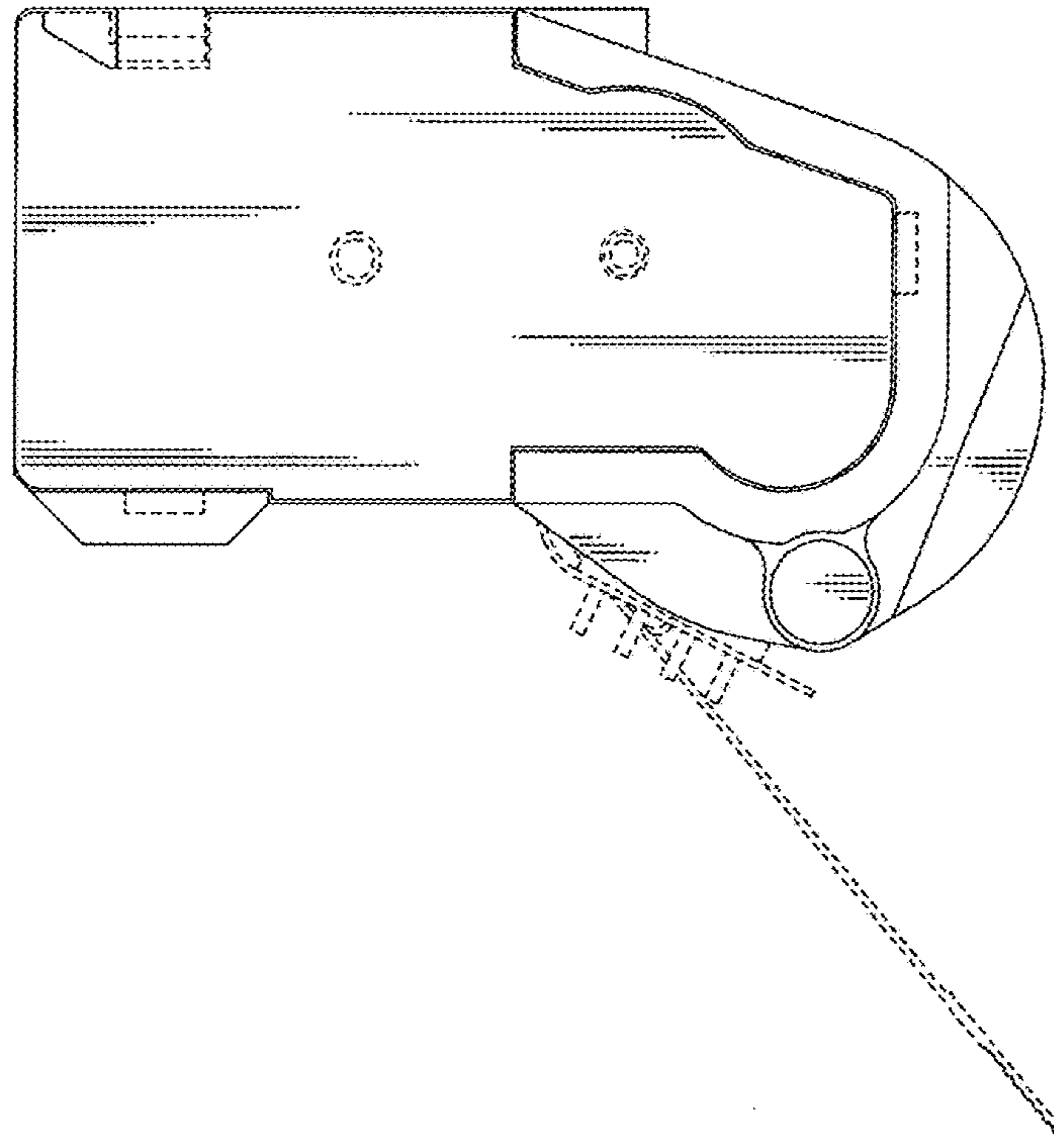


Fig. 5

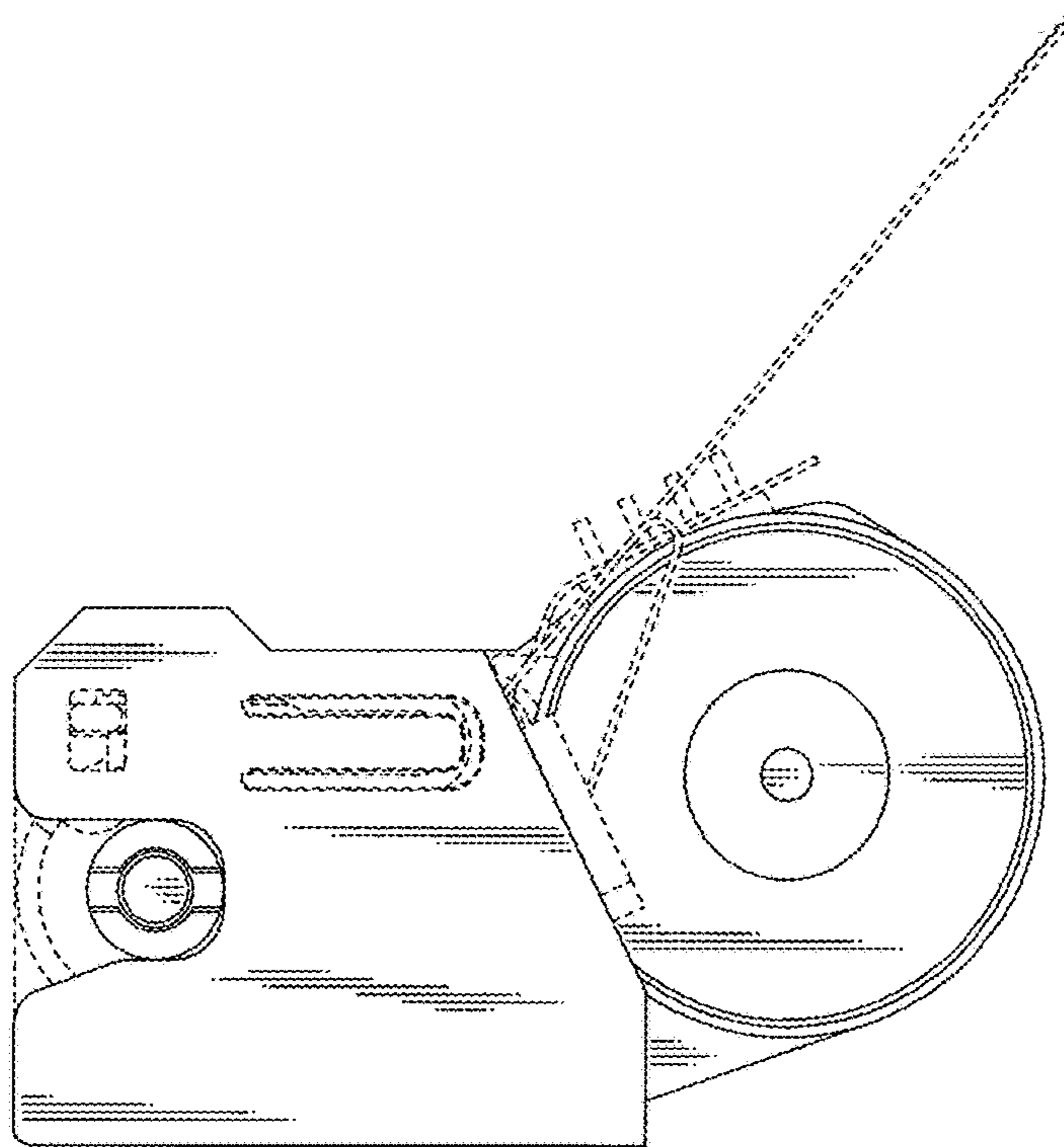


Fig. 7

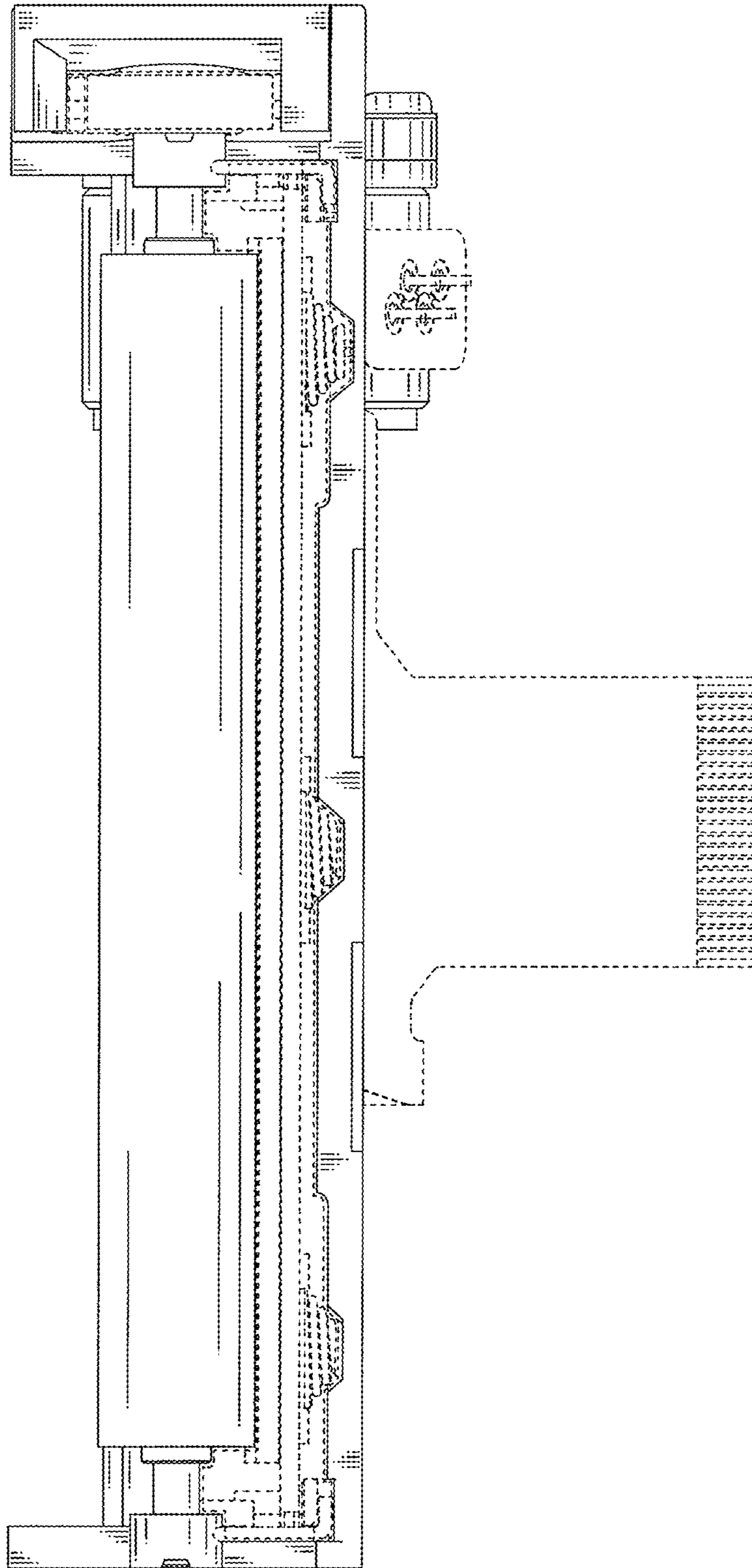


Fig. 8

