



US00D807427S

(12) **United States Design Patent** (10) **Patent No.:** **US D807,427 S**
Tashima et al. (45) **Date of Patent:** **** Jan. 9, 2018**

(54) **PRINTER**
(71) Applicant: **BROTHER INDUSTRIES, LTD.**,
Nagoya-shi, Aichi-ken (JP)
(72) Inventors: **Kazuhisa Tashima**, Nagoya (JP);
Keiichiro Egami, Kuwana (JP)
(73) Assignee: **BROTHER INDUSTRIES, LTD.**,
Nagoya (JP)

D601,185 S * 9/2009 Kim D18/50
D607,050 S * 12/2009 Iritani D18/55
D607,507 S * 1/2010 Kimura D18/55
D624,956 S * 10/2010 Park D18/39
D632,732 S * 2/2011 Park D18/50
D644,685 S * 9/2011 Asano D18/50
D645,078 S * 9/2011 Kim D18/50
D647,130 S * 10/2011 Kim D18/50
D661,346 S * 6/2012 Suzuki et al.
D664,193 S * 7/2012 Larson D18/55

(Continued)

(**) Term: **15 Years**

OTHER PUBLICATIONS

(21) Appl. No.: **29/577,312**

Nakagawa et al, U.S. Appl. No. 29/464,337, filed Aug. 15, 2013.
Sato et al, U.S. Appl. No. 29/464,324, filed Aug. 15, 2013.

(22) Filed: **Sep. 12, 2016**

Primary Examiner — Robin V Webster

Assistant Examiner — James C Thorn, Sr.

(30) **Foreign Application Priority Data**

Mar. 14, 2016 (JP) 2016-5466
Mar. 14, 2016 (JP) 2016-5469

(74) *Attorney, Agent, or Firm* — Oliff PLC

(51) **LOC (11) Cl.** **18-02**

(57) **CLAIM**

The ornamental design for a printer, as shown and described.

(52) **U.S. Cl.**
USPC **D18/50**

DESCRIPTION

(58) **Field of Classification Search**
USPC D18/50, 55, 36–37, 39; 347/3
CPC B41J 11/58; B41J 15/12; B41J 15/042;
G06K 15/12; G06K 15/14
See application file for complete search history.

FIG. 1 is a perspective view of a printer according to a first embodiment;
FIG. 2 is a front view thereof;
FIG. 3 is a top view thereof;
FIG. 4 is a right-side view thereof;
FIG. 5 is a left-side view thereof;
FIG. 6 is a rear view thereof;
FIG. 7 is a bottom view thereof;
FIG. 8 is a perspective view of a printer according to a second embodiment; and,
FIG. 9 is a front view thereof.

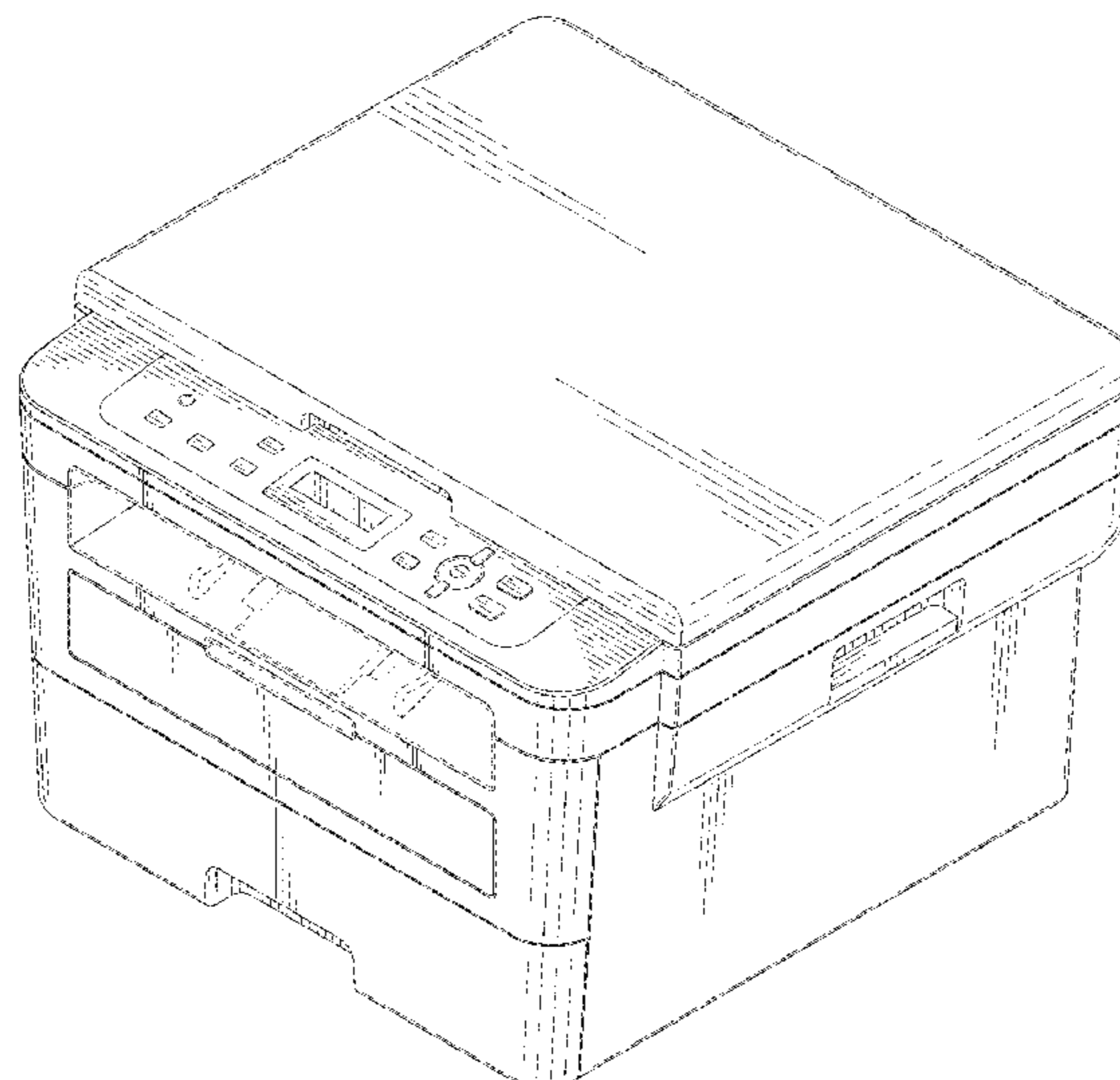
The broken lines shown in the drawings form no part of the claimed design. The top, right side, left side, rear, and bottom views for the second embodiment are the same as the first embodiment and, thus, are not provided.

(56) **References Cited**

U.S. PATENT DOCUMENTS

D297,436 S * 8/1988 Okuyama D18/36
D327,701 S * 7/1992 Kosako D18/36
D378,099 S * 2/1997 Yoshida D18/36
D434,434 S * 11/2000 Short D14/420
D536,373 S * 2/2007 Inoue D18/55
D539,337 S * 3/2007 Kato D14/422
D544,530 S * 6/2007 Omuro D18/50
D562,380 S * 2/2008 Kato D18/50
D567,283 S * 4/2008 Larson D18/50
D584,347 S * 1/2009 Hong D18/55

1 Claim, 9 Drawing Sheets



(56)

References Cited

U.S. PATENT DOCUMENTS

D674,010 S * 1/2013 Nanno D18/55
D678,403 S 3/2013 Seki et al.
D694,318 S 11/2013 Jihoon et al.
D729,310 S 5/2015 Nakagawa et al.
D730,437 S * 5/2015 Seki D18/50
D761,903 S * 7/2016 Matsumoto D18/50
D768,768 S * 10/2016 Takahashi D18/50
D785,084 S * 4/2017 Azegami D18/19
D792,508 S * 7/2017 Nakagawa D18/50
D794,707 S * 8/2017 Nanno D18/50
2017/0165985 A1* 6/2017 Sone B41J 11/70

* cited by examiner

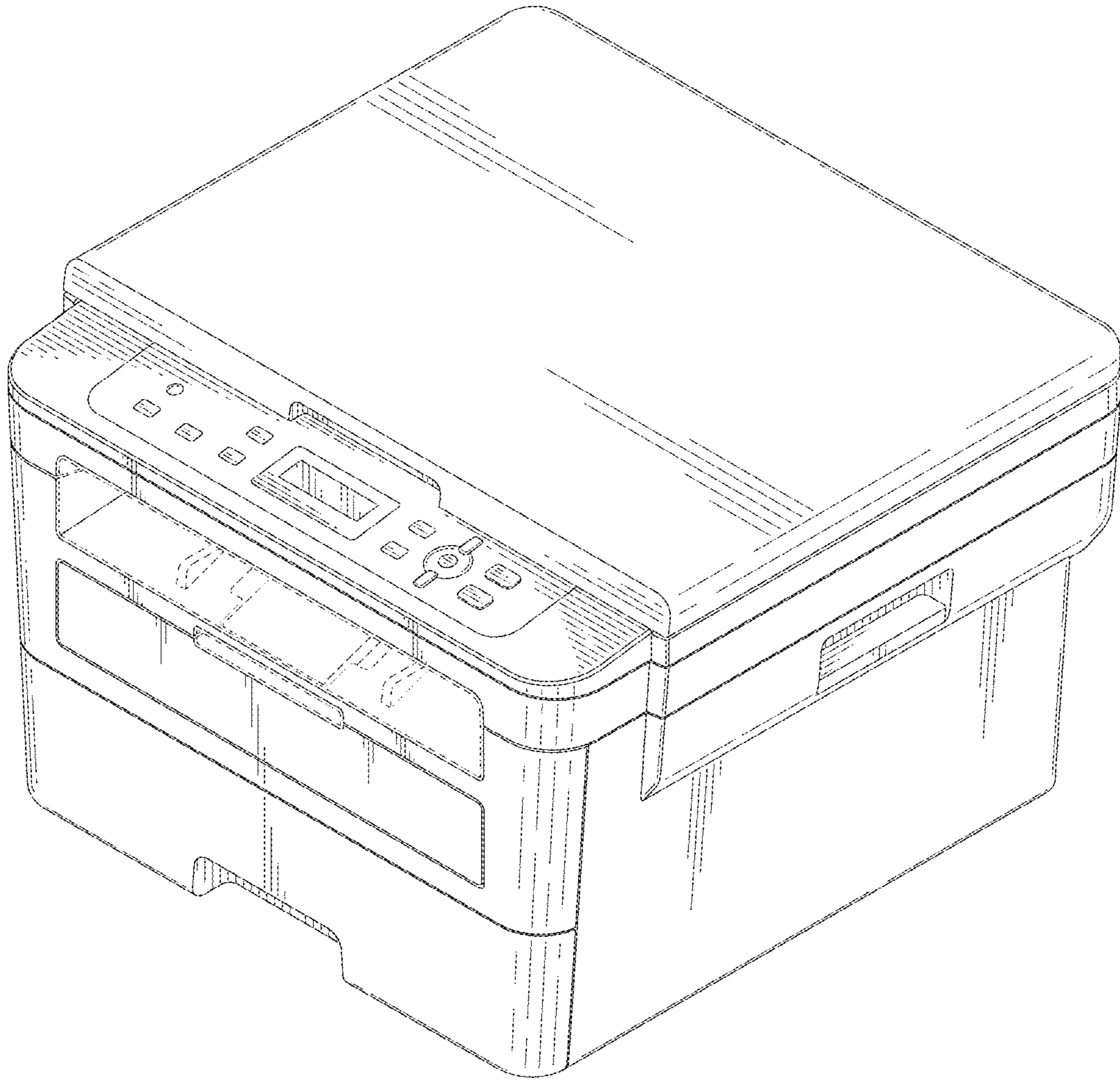


FIG. 1

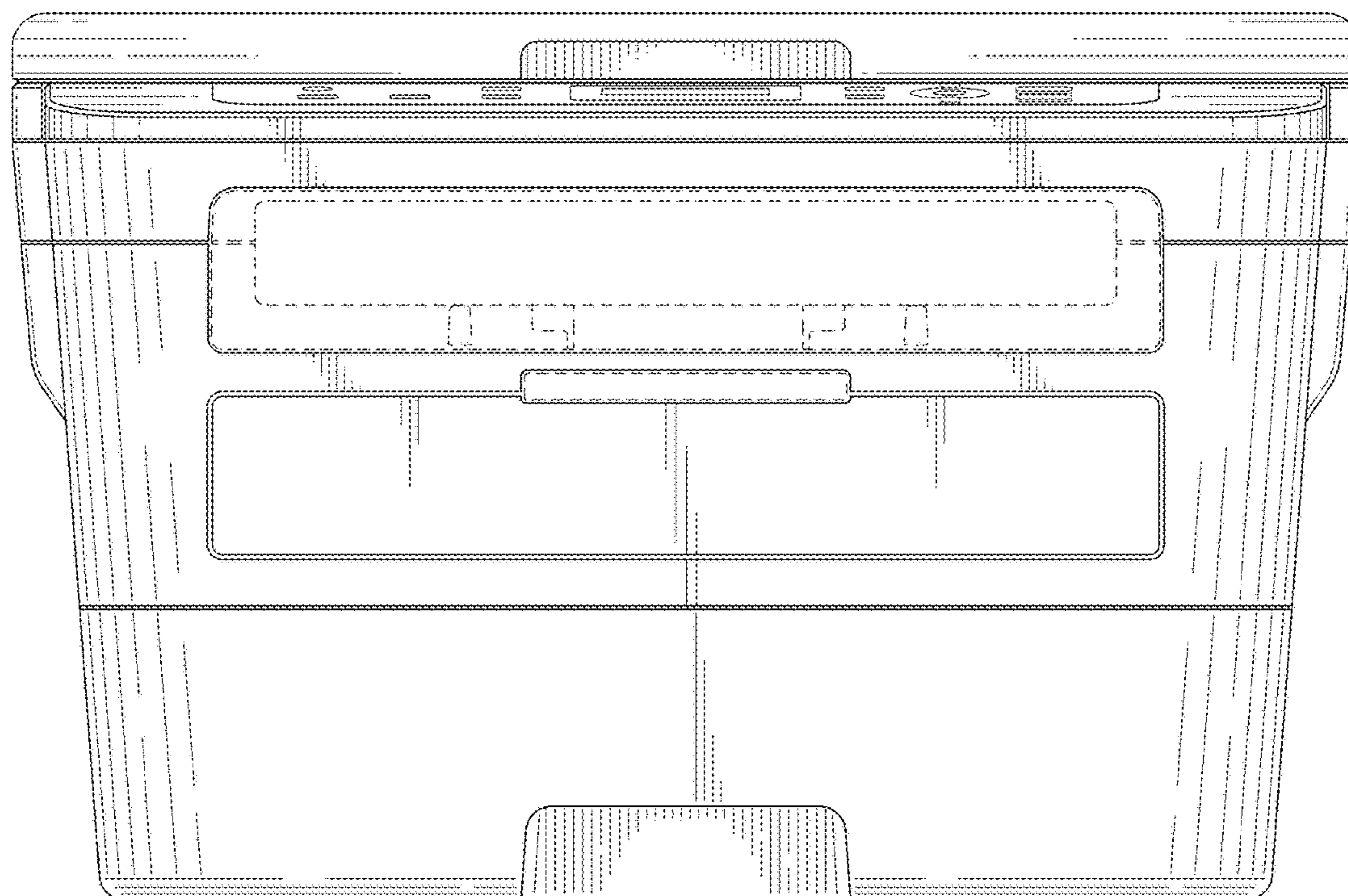


FIG. 2

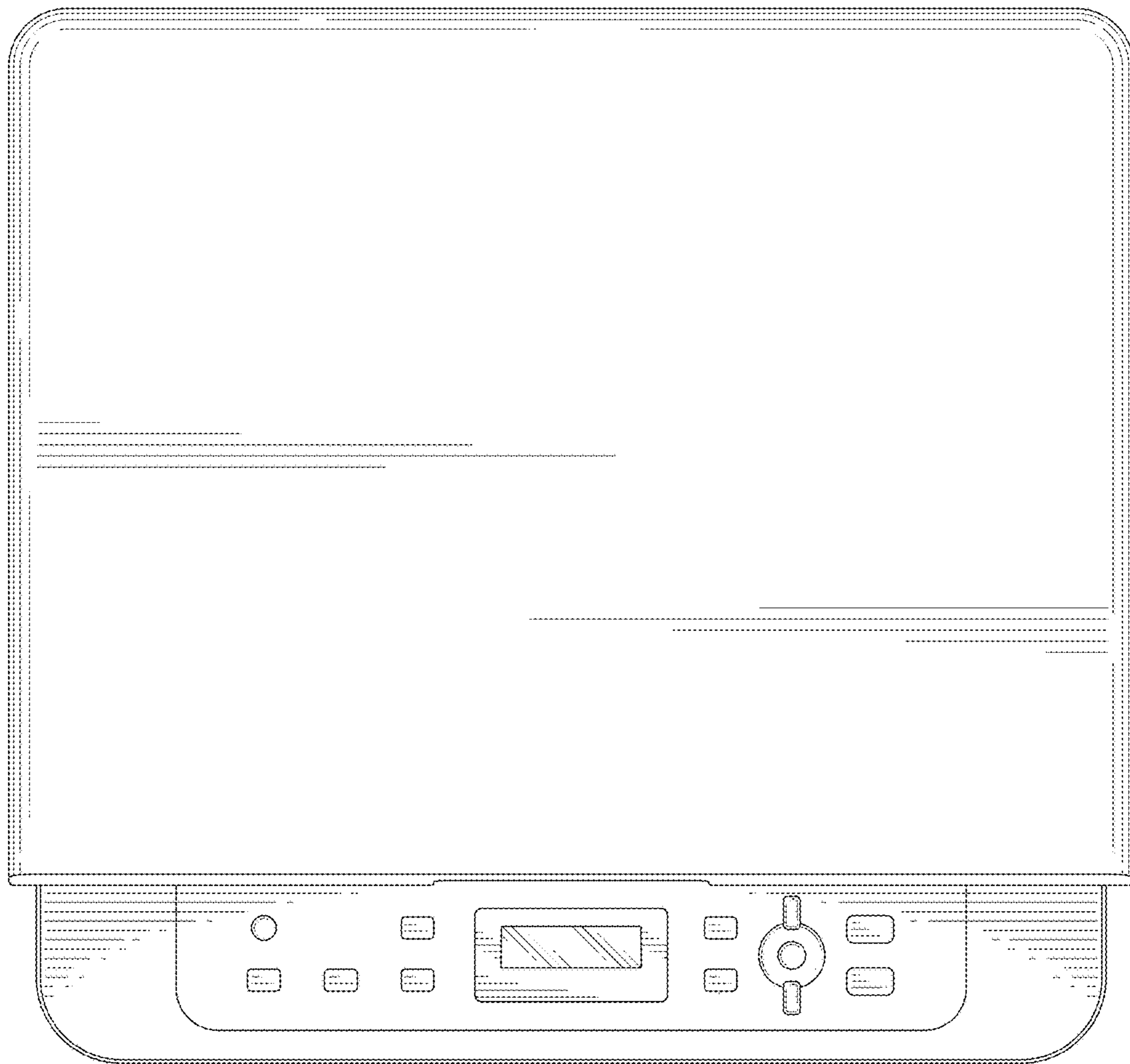


FIG. 3

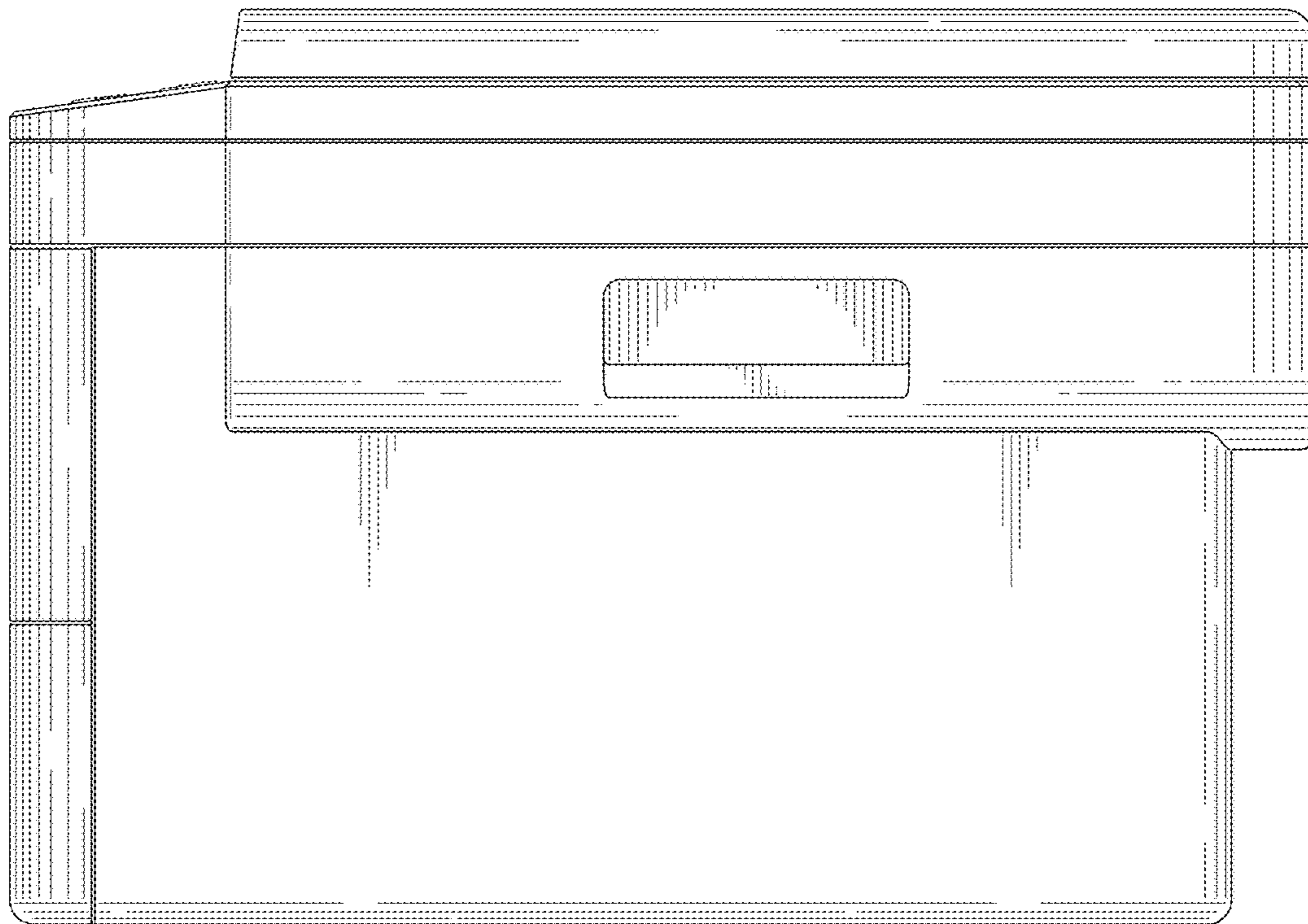


FIG. 4

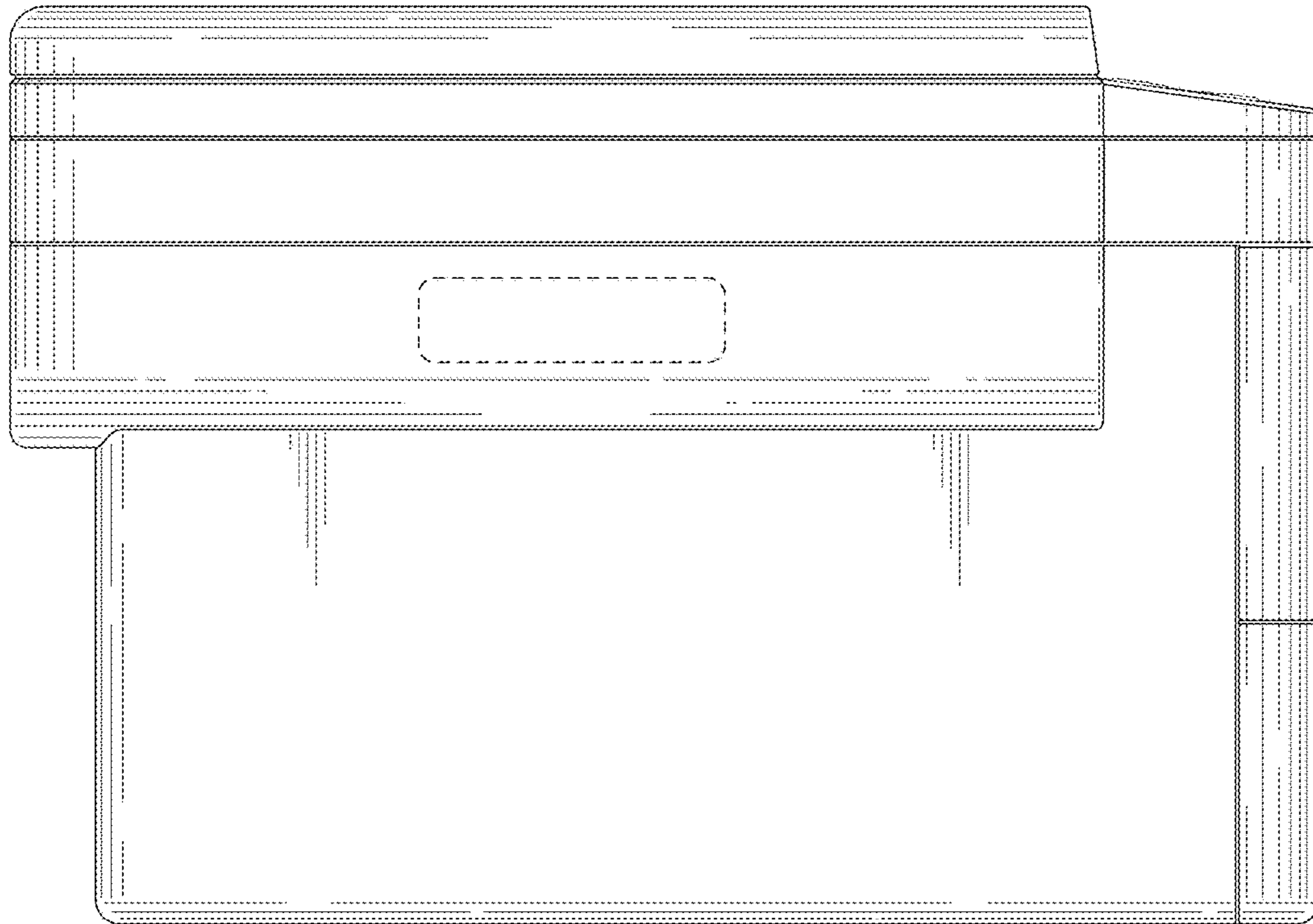


FIG. 5

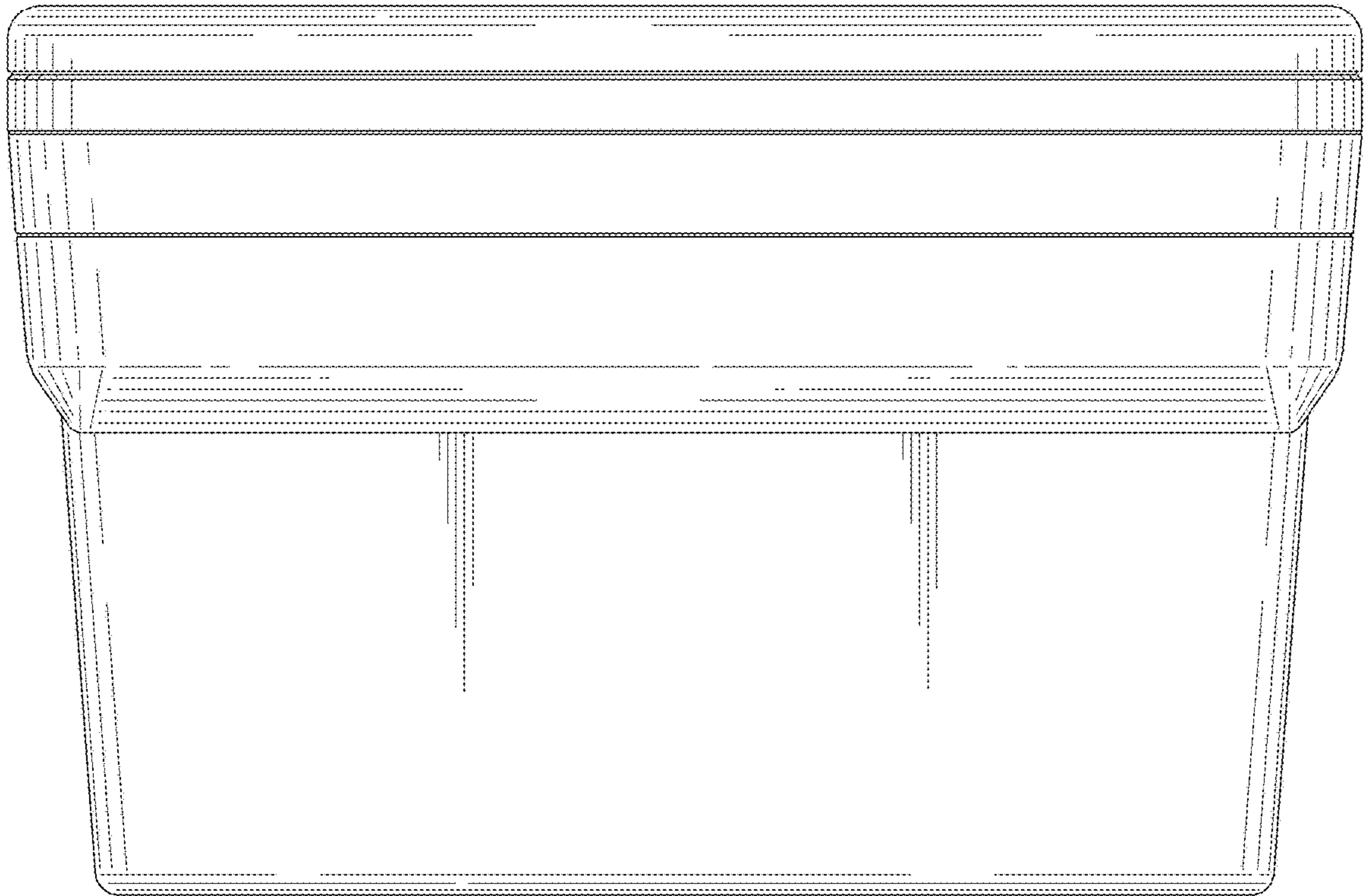


FIG. 6

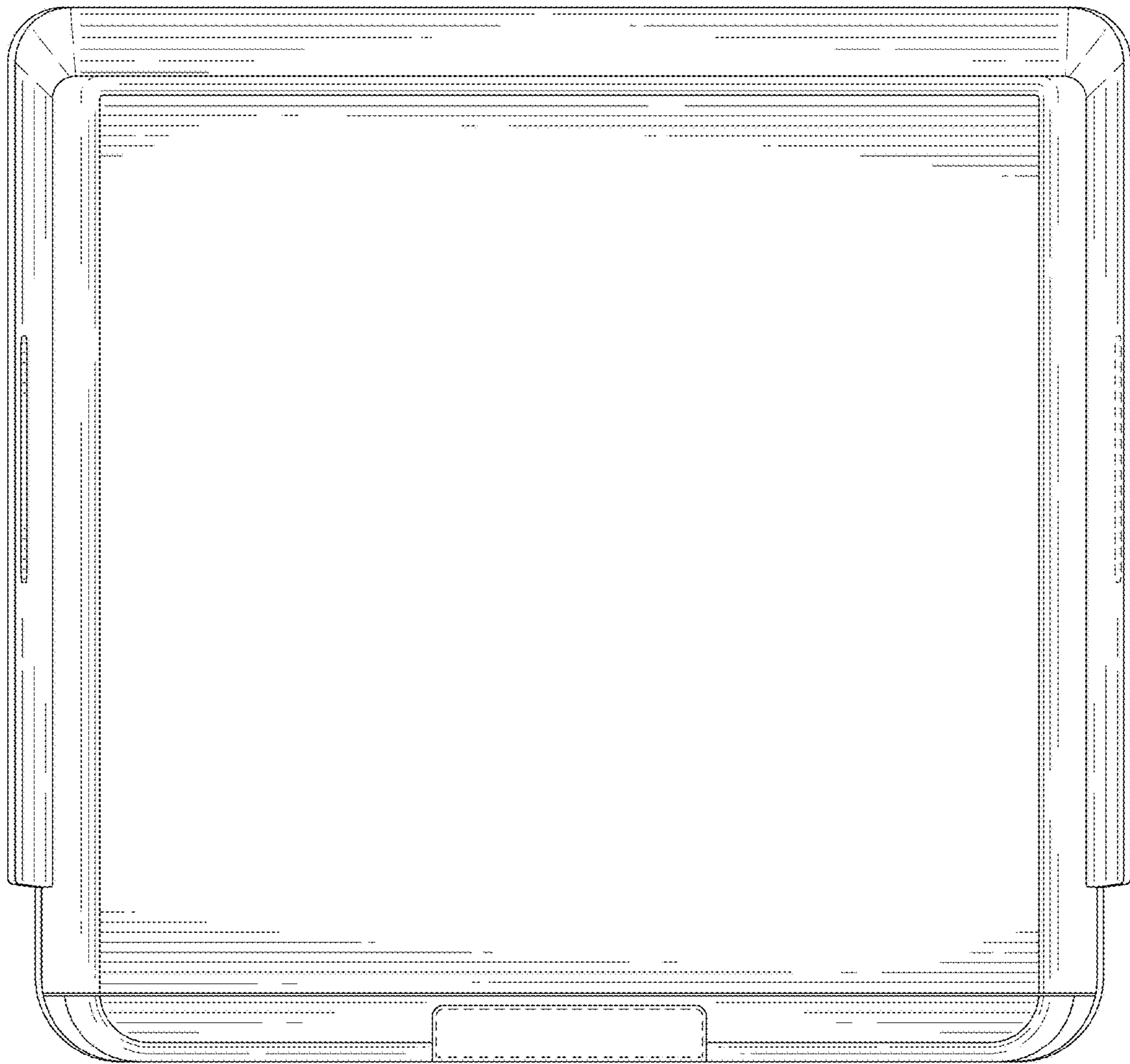


FIG. 7

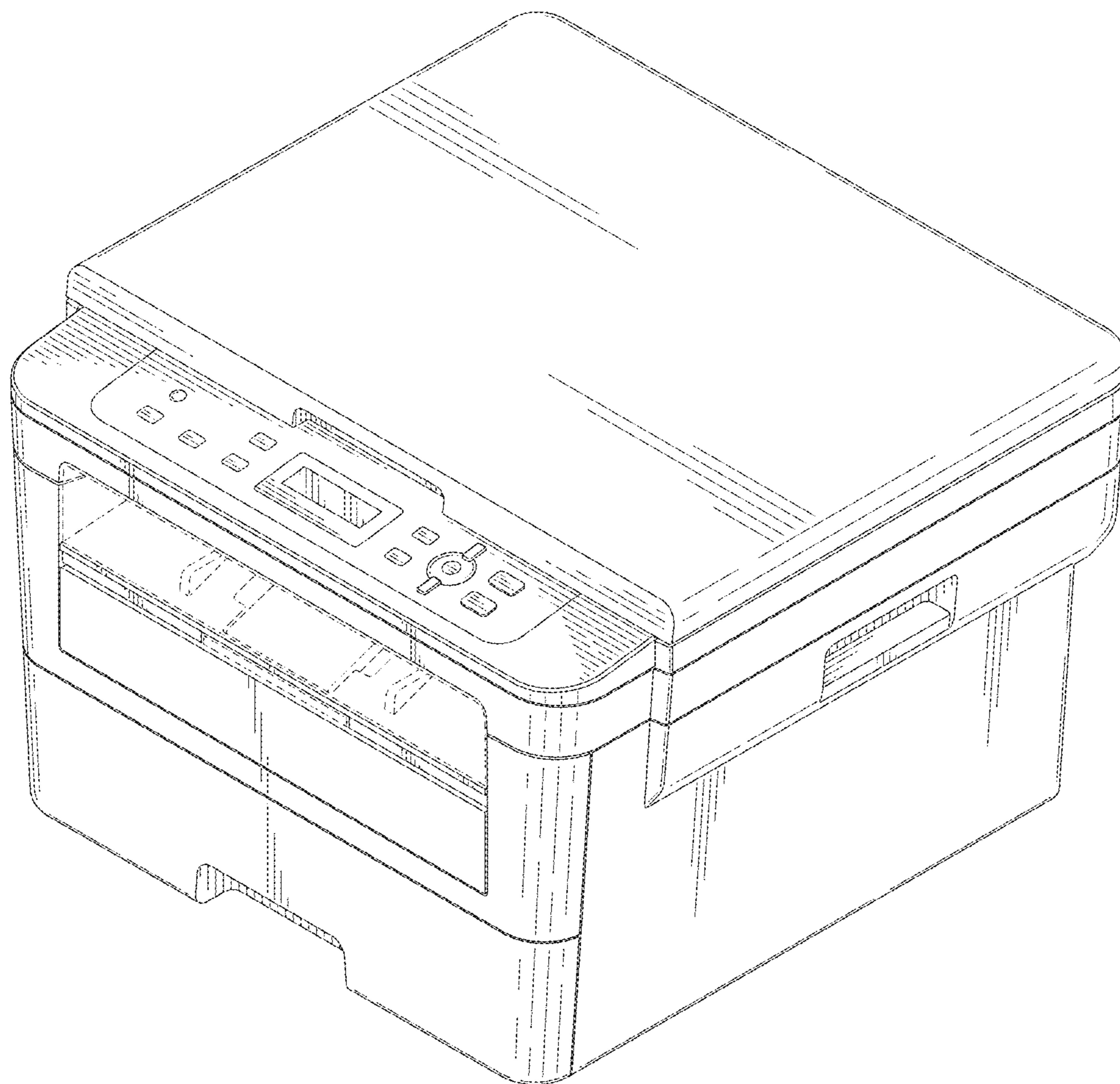


FIG. 8

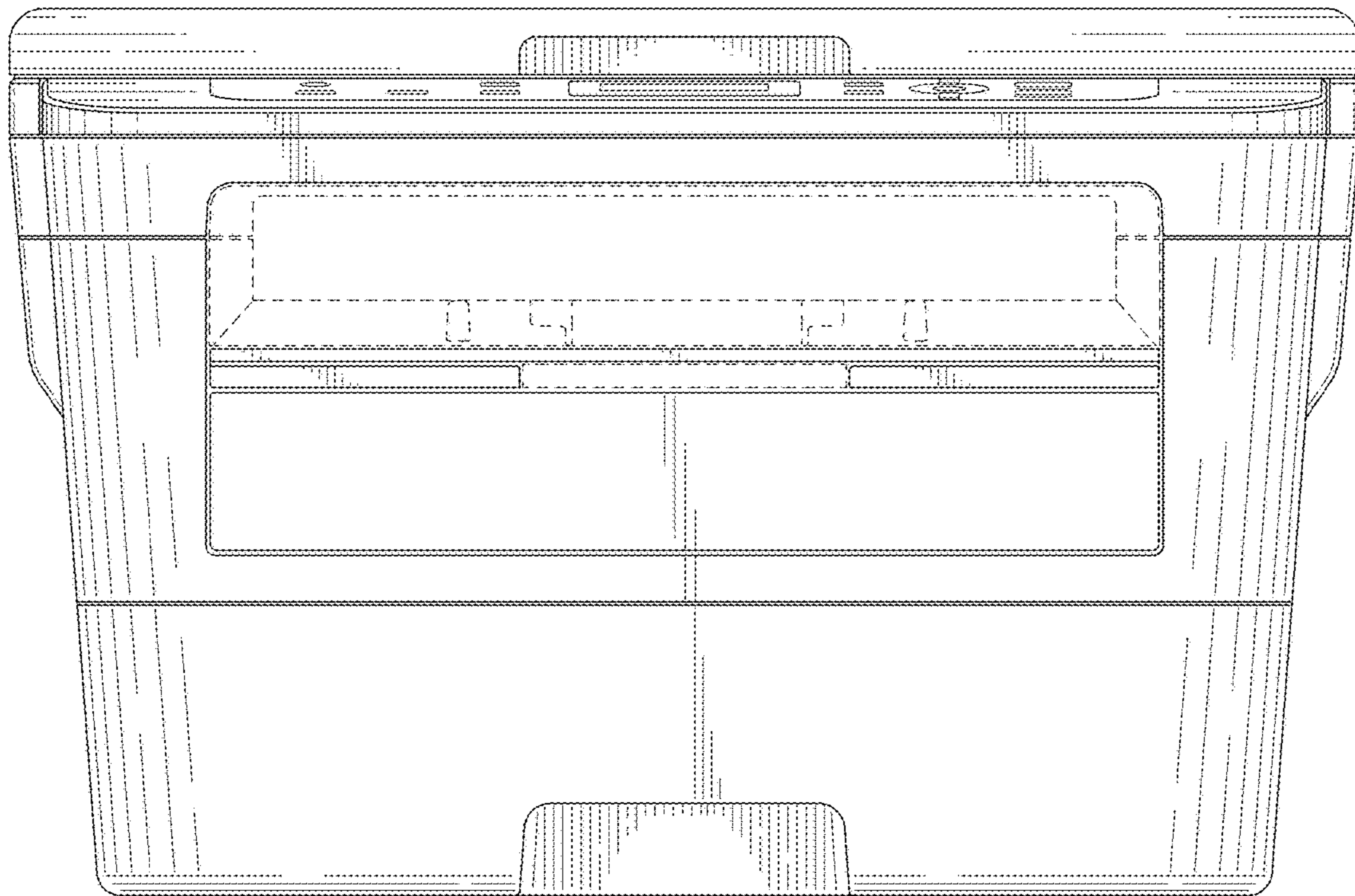


FIG. 9