



US00D807424S

(12) **United States Design Patent**
Chang et al.

(10) **Patent No.:** **US D807,424 S**
(45) **Date of Patent:** **** Jan. 9, 2018**

- (54) **POINT OF SALES TERMINAL**
- (71) Applicant: **UNIFORM INDUSTRIAL CORP.,**
New Taipei (TW)
- (72) Inventors: **Dung-An Chang,** New Taipei (TW);
Kang-Ting Chao, New Taipei (TW)
- (73) Assignee: **UNIFORM INDUSTRIAL CORP.,**
New Taipei (TW)

- D541,278 S * 4/2007 Hsu D14/336
- D558,696 S * 1/2008 Park D14/126
- D596,175 S * 7/2009 Viertola D14/314
- D598,916 S * 8/2009 Lehtovaara D14/371
- D602,935 S * 10/2009 Kettula D14/371
- D604,734 S * 11/2009 Leonard D14/374
- D605,193 S * 12/2009 Andre D14/336
- D610,138 S * 2/2010 Andre D14/336
- D626,923 S * 11/2010 Yoshimura D14/126
- D628,200 S * 11/2010 Ko D14/336
- D631,042 S * 1/2011 Chen D14/337

(Continued)

- (**) Term: **15 Years**
- (21) Appl. No.: **29/554,073**
- (22) Filed: **Feb. 8, 2016**

Primary Examiner — Susan Bennett Hattan
Assistant Examiner — Marie D. Fast Horse
 (74) *Attorney, Agent, or Firm* — Muncy, Geissler, Olds & Lowe, P.C.

(30) **Foreign Application Priority Data**

Aug. 18, 2015 (TW) 104304528

(51) **LOC (11) Cl.** **18-01**

(52) **U.S. Cl.**
USPC **D18/4.4**

(58) **Field of Classification Search**
 USPC D18/3.1, 3.2, 4.1, 4.3, 4.4, 4.5, 4.6, 12,
 D18/12.1; D14/300, 307, 314, 336, 337,
 D14/341, 346, 371, 373, 374, 375, 376,
 D14/385, 420-422, 424, 425, 462, 463,
 D14/126, 129; D20/1, 2, 10, 41, 99
 CPC G07F 7/08; G07F 7/0873; G07F 7/088;
 G07F 7/0886; G07F 7/0893; G07F 19/00;
 G07G 1/12; G07G 1/00; G07G 1/0018;
 G07G 1/01; G06Q 20/20; G06K 7/083
 See application file for complete search history.

(56) **References Cited**

U.S. PATENT DOCUMENTS

- D433,021 S * 10/2000 Shibata D14/356
- D438,862 S * 3/2001 Brandenburg D14/336
- D462,353 S * 9/2002 Kita D14/374
- D537,079 S * 2/2007 Park D14/375

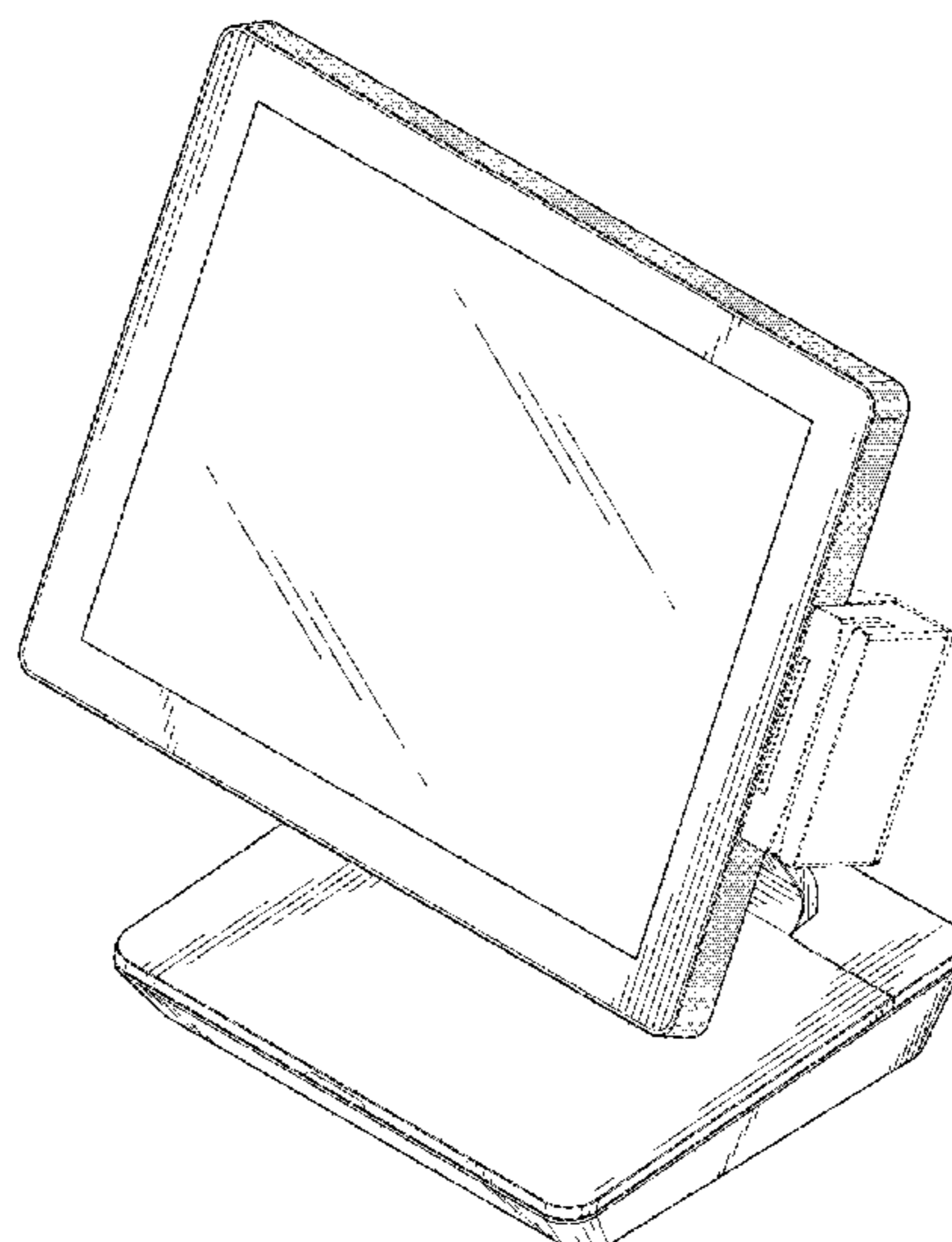
(57) **CLAIM**

The ornamental design for a point of sales terminal, as shown and described.

DESCRIPTION

FIG. 1 is a top perspective view of a point of sales terminal showing our new design;
 FIG. 2 is a front elevational view thereof;
 FIG. 3 is a rear elevational view thereof;
 FIG. 4 is a left side elevational view thereof;
 FIG. 5 is a right side elevational view thereof;
 FIG. 6 is a top plan view thereof;
 FIG. 7 is a bottom plan view thereof;
 FIG. 8 is another perspective view thereof, in an alternative position for use; and,
 FIG. 9 is an enlarged view of portion 9 shown in FIG. 3. The stippled portion of the point of sales terminal indicates a contrasting appearance such as the color white. The broken lines showing the round holes and the elongate oblong slot of the backside of the monitor shown in FIGS. 3, 4, 5, 7, and 9 as well as all other broken lines in the drawings depict portions of the point of sales terminal that form no part of the claimed design.

1 Claim, 8 Drawing Sheets



(56)

References Cited

U.S. PATENT DOCUMENTS

D647,905 S *	11/2011	Lee	D14/374	D724,040 S *	3/2015	Chan	D14/126
D648,336 S *	11/2011	Yagi	D14/374	D725,057 S *	3/2015	Seo	D14/126
D650,386 S *	12/2011	Lee	D14/374	D732,029 S *	6/2015	Huh	D14/374
D652,420 S *	1/2012	Chiu	D14/371	D735,805 S *	8/2015	Haller	D18/46
D657,791 S *	4/2012	Kim	D14/374	D738,375 S *	9/2015	Lee	D14/374
D661,305 S *	6/2012	Andre	D14/374	D746,902 S *	1/2016	Lyons	D18/4.5
D669,077 S *	10/2012	McManigal	D14/374	D747,763 S *	1/2016	Haller	D18/4.5
D670,256 S *	11/2012	Kim	D14/126	D753,103 S *	4/2016	Yokoyama	D14/341
D680,526 S *	4/2013	Gammon	D14/341	D763,255 S *	8/2016	Lee	D14/371
D691,604 S *	10/2013	Seong	D14/374	D772,335 S *	11/2016	Mantrawadi	D18/4.6
D691,606 S *	10/2013	Andre	D14/374	2014/0144988 A1 *	5/2014	Chiang	G07G 1/0018 235/449
D691,998 S *	10/2013	Seo	D14/374	2015/0193753 A1 *	7/2015	Lam	G06F 11/30 705/16
D693,607 S *	11/2013	Johnson	D6/672	2015/0227763 A1 *	8/2015	Chen	G06F 1/1632 235/441
D694,750 S *	12/2013	Shin	D14/337	2016/0120050 A1 *	4/2016	Chen	G06F 1/16 361/679.01
D695,244 S *	12/2013	Wolff	D14/126	2016/0224959 A1 *	8/2016	Oishi	G06Q 20/202
D706,864 S *	6/2014	Branck	D18/4.6	2016/0232508 A1 *	8/2016	Nishiie	G07G 1/0018
D707,288 S *	6/2014	Branck	D18/4.6	2017/0039537 A1 *	2/2017	Singgih	G06Q 20/20
D711,870 S *	8/2014	Johnson	D14/307					
D714,289 S *	9/2014	Shoda	D14/371					

* cited by examiner

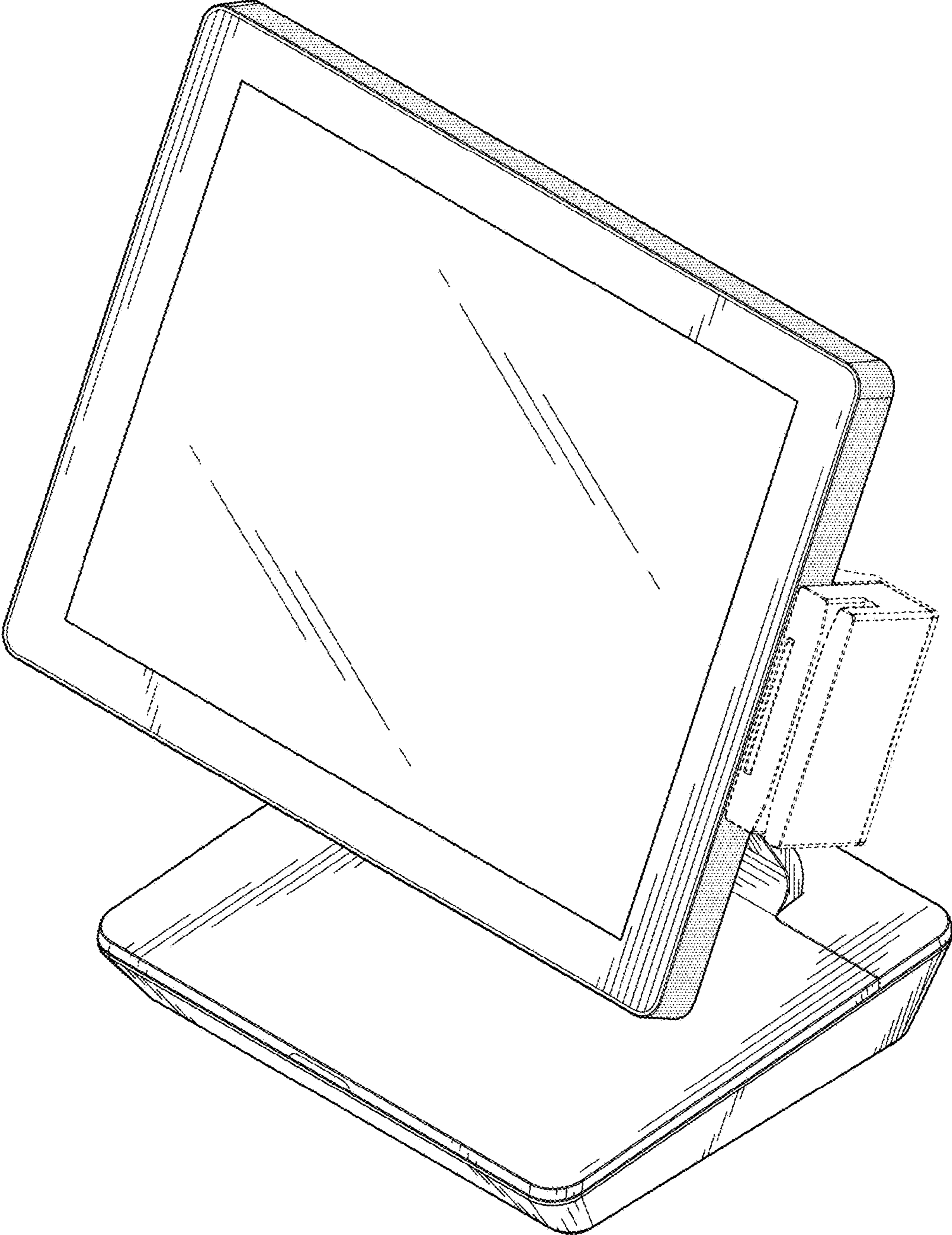


FIG.1

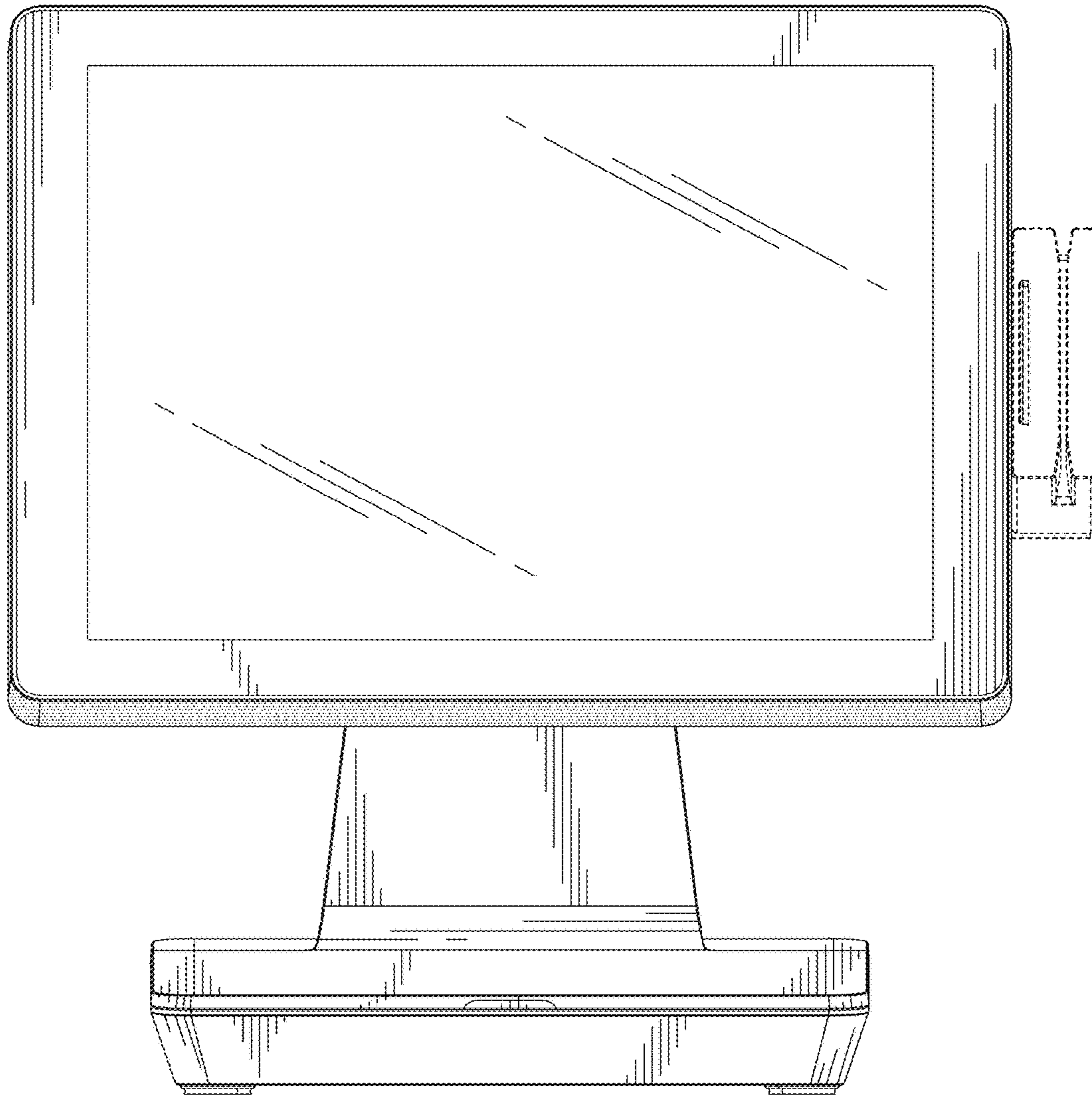


FIG.2

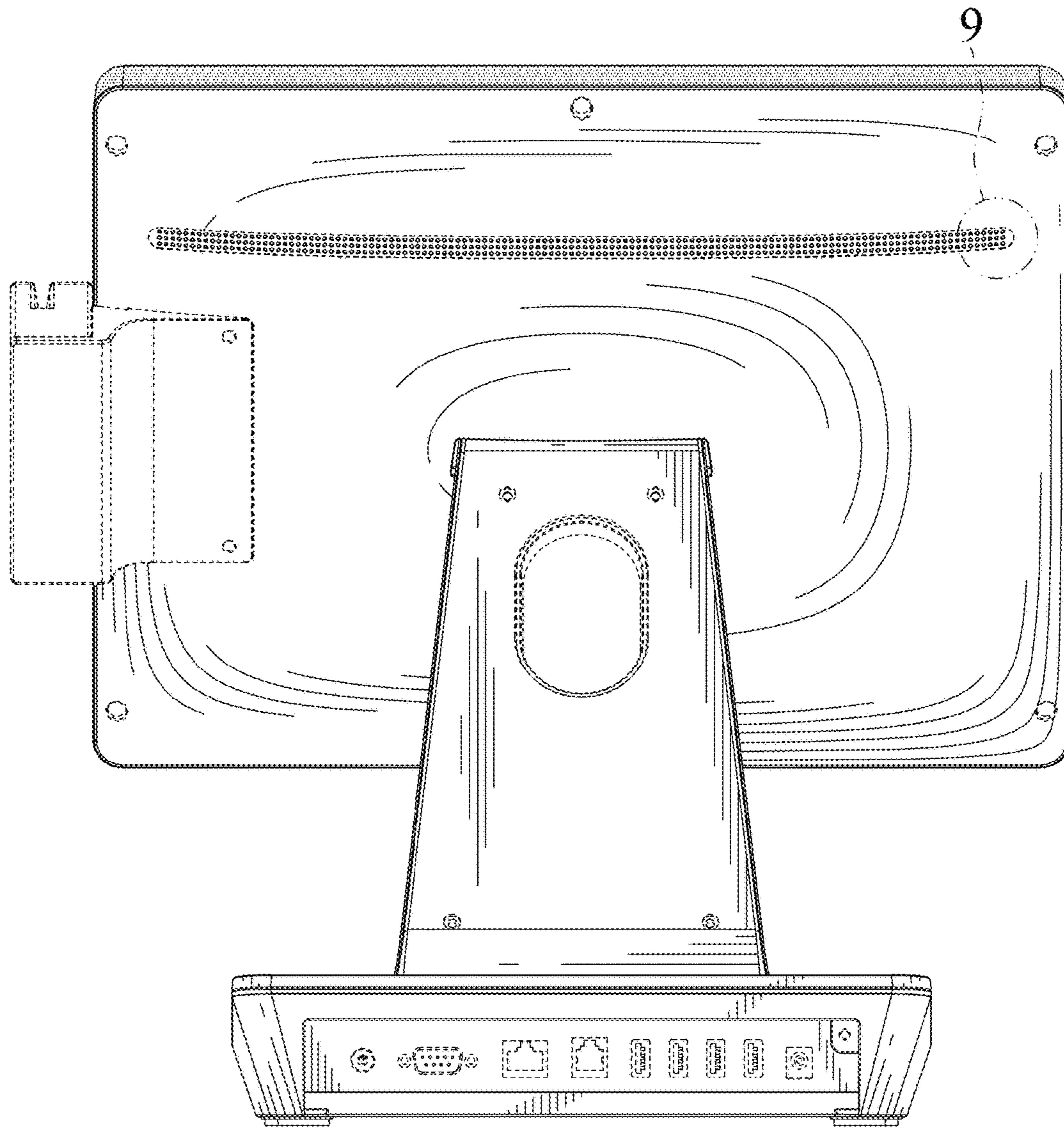


FIG.3

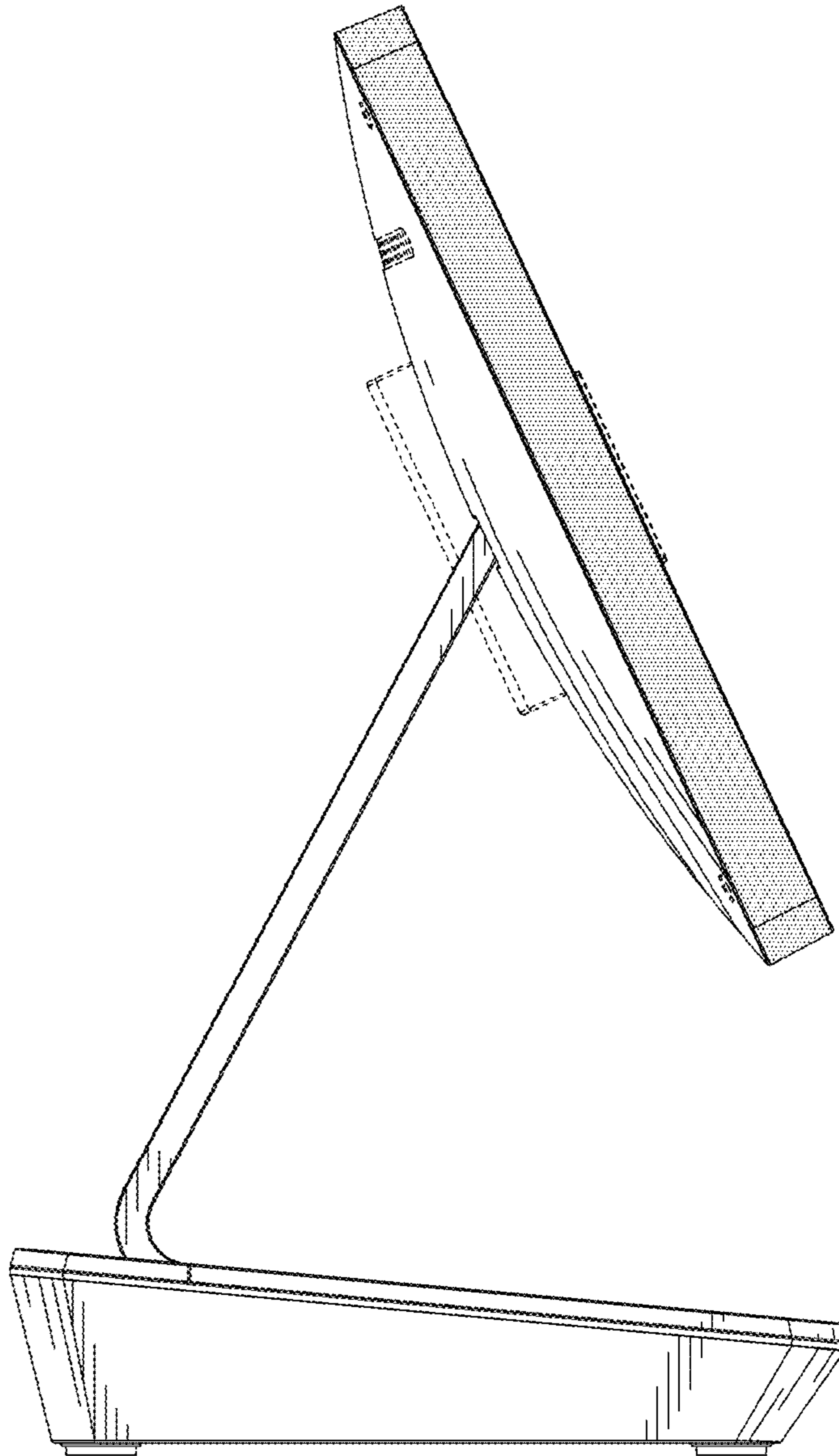


FIG.4

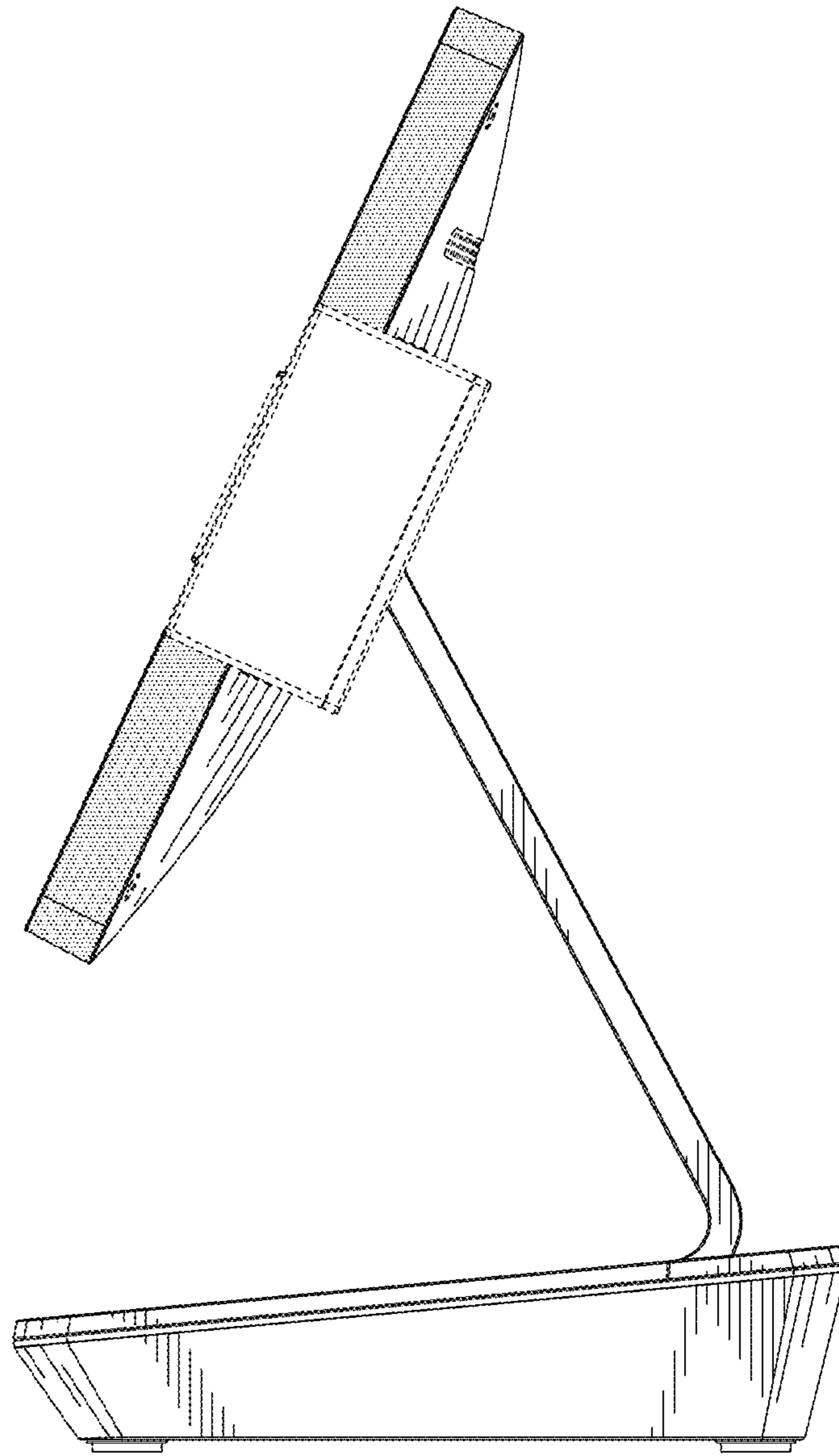


FIG.5

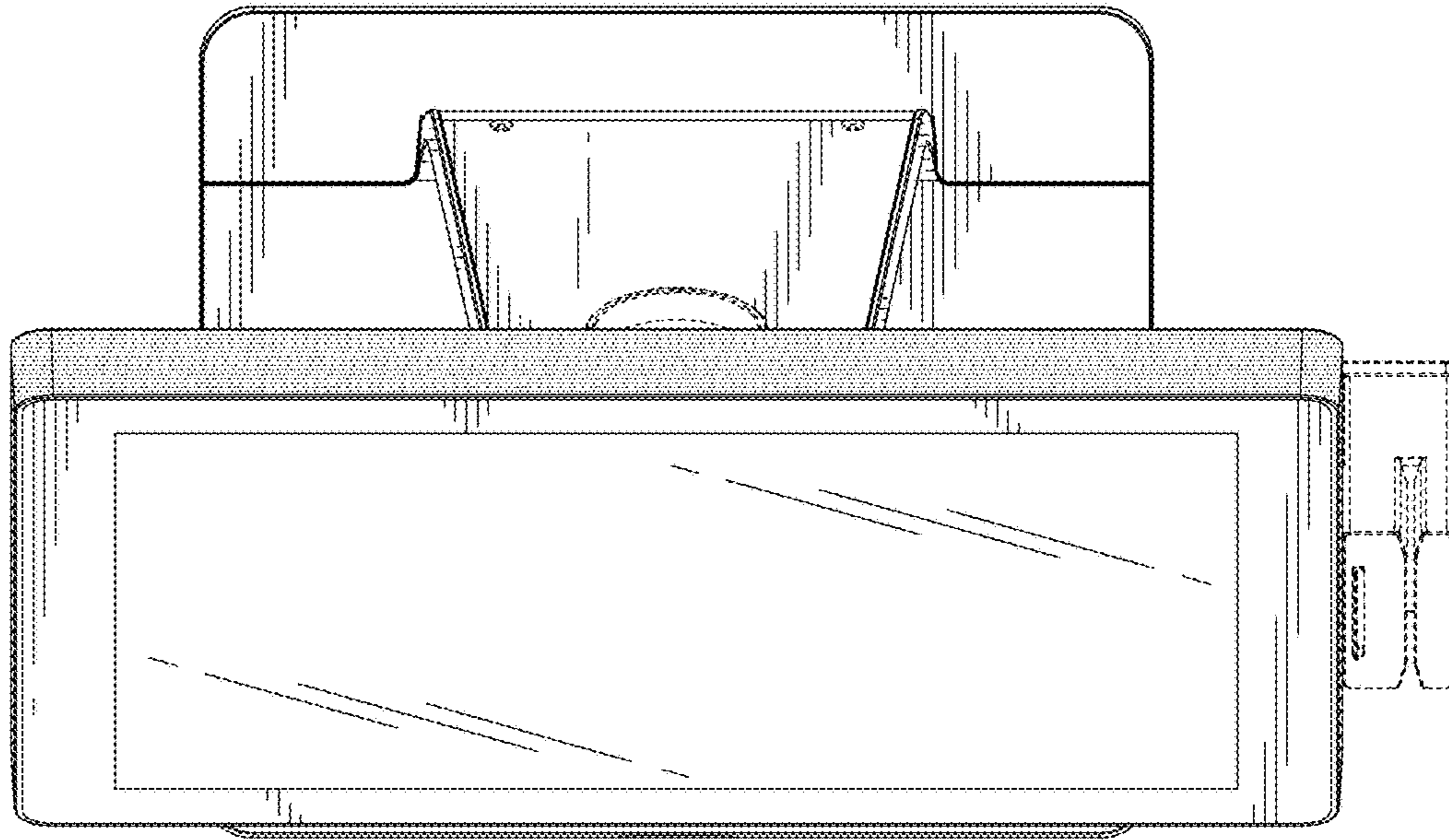


FIG. 6

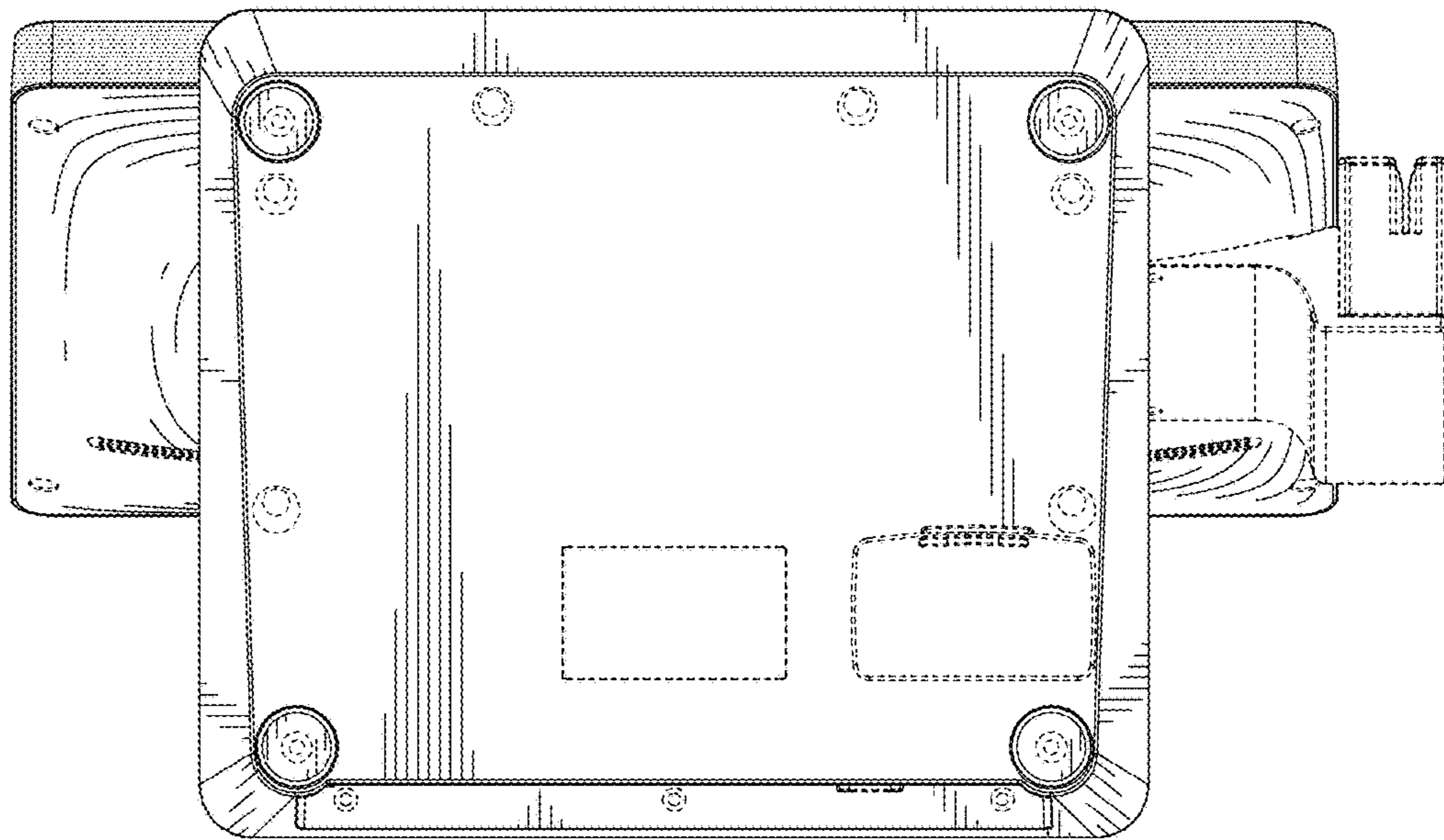


FIG. 7

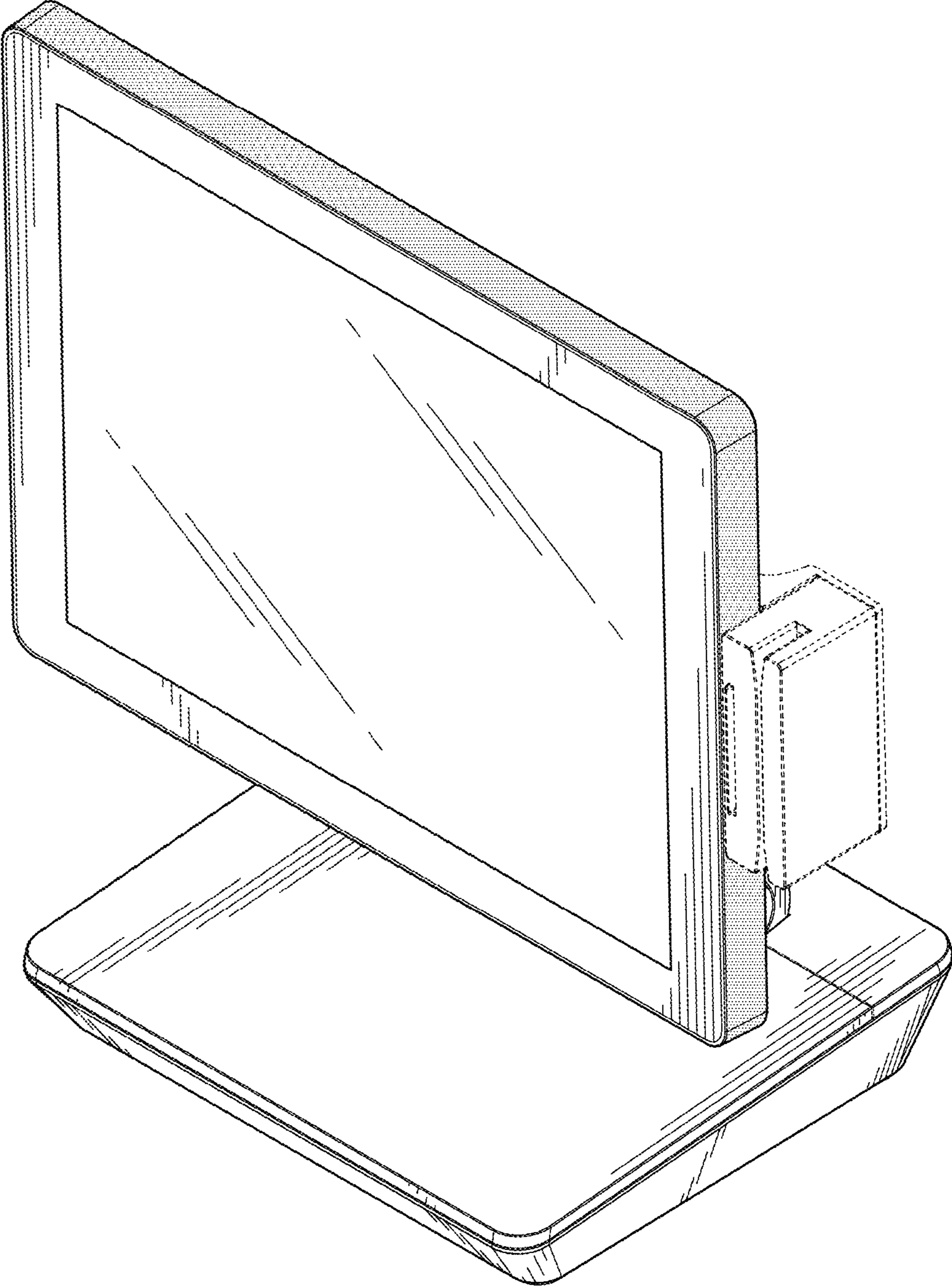


FIG.8

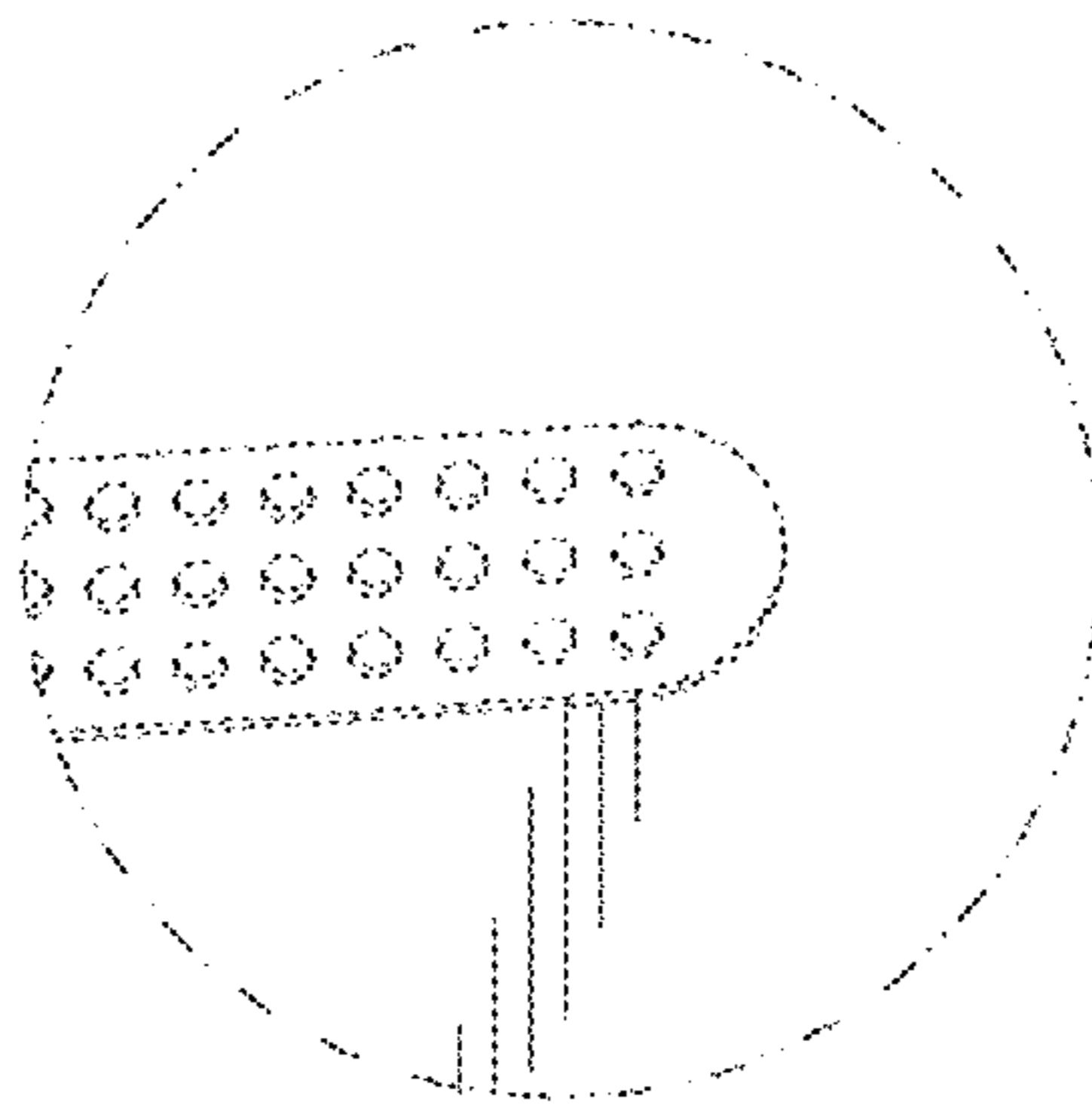


FIG.9