



US00D807421S

(12) **United States Design Patent**
Yin

(10) **Patent No.:** **US D807,421 S**
(45) **Date of Patent:** **** Jan. 9, 2018**

- (54) **TRIPOD FOR A CAMERA**
- (71) Applicant: **Xuzhou Bingo Digital Technology Co., Ltd**, Xuzhou, Jiangsu (CN)
- (72) Inventor: **Lingzhi Yin**, Jiangsu (CN)
- (73) Assignee: **Xuzhou Bingo Digital Technology Co., Ltd**, Science & Technology Park of China University of Mining & Technology

(**) Term: **15 Years**

(21) Appl. No.: **29/581,408**

(22) Filed: **Oct. 19, 2016**

(51) **LOC (11) Cl.** **16-06**

(52) **U.S. Cl.**
USPC **D16/244**

(58) **Field of Classification Search**
USPC D8/354, 355, 363; D14/224, 229, 238,
D14/251, 447, 451, 457; D16/219,
D16/237-250

See application file for complete search history.

(56) **References Cited**

U.S. PATENT DOCUMENTS

- D222,596 S * 11/1971 Leubner D16/244
- D258,661 S * 3/1981 Shiraishi D16/244

- D263,147 S * 2/1982 Iwasaki D16/244
- D264,728 S * 6/1982 Iwasaki D16/244
- D269,880 S * 7/1983 Iwasaki D16/244
- D299,244 S * 1/1989 Jones D16/244
- D326,105 S * 5/1992 Doi D16/244
- 5,288,044 A * 2/1994 Chen F16M 11/10
248/183.1
- D344,969 S * 3/1994 Nakatani D16/244
- D349,915 S * 8/1994 Hanke D16/244
- D375,507 S * 11/1996 Hsu D16/130
- D607,037 S * 12/2009 Lee D16/244
- D673,204 S * 12/2012 Bae D16/244

* cited by examiner

Primary Examiner — John Windmuller
Assistant Examiner — Melvin L Davis

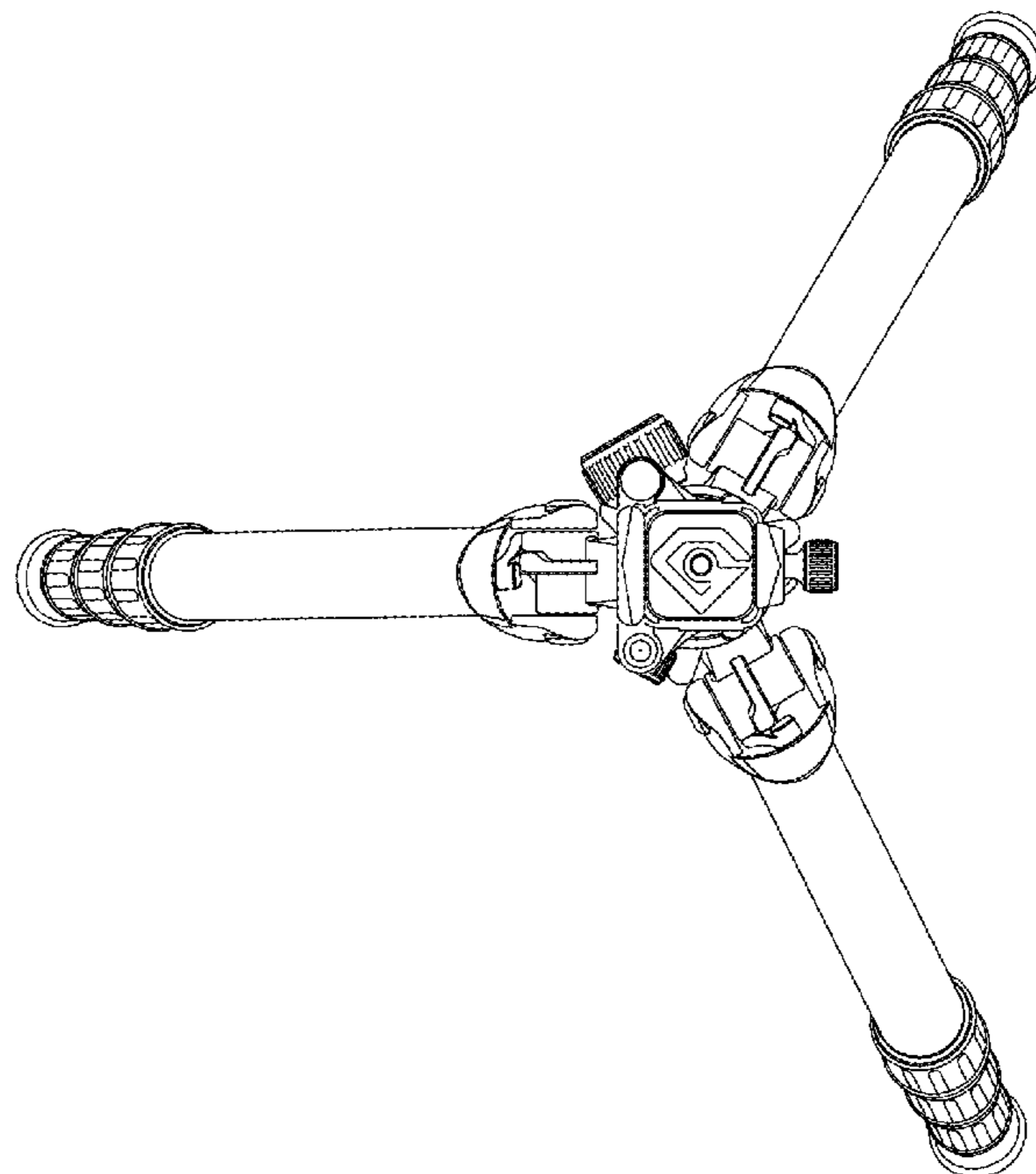
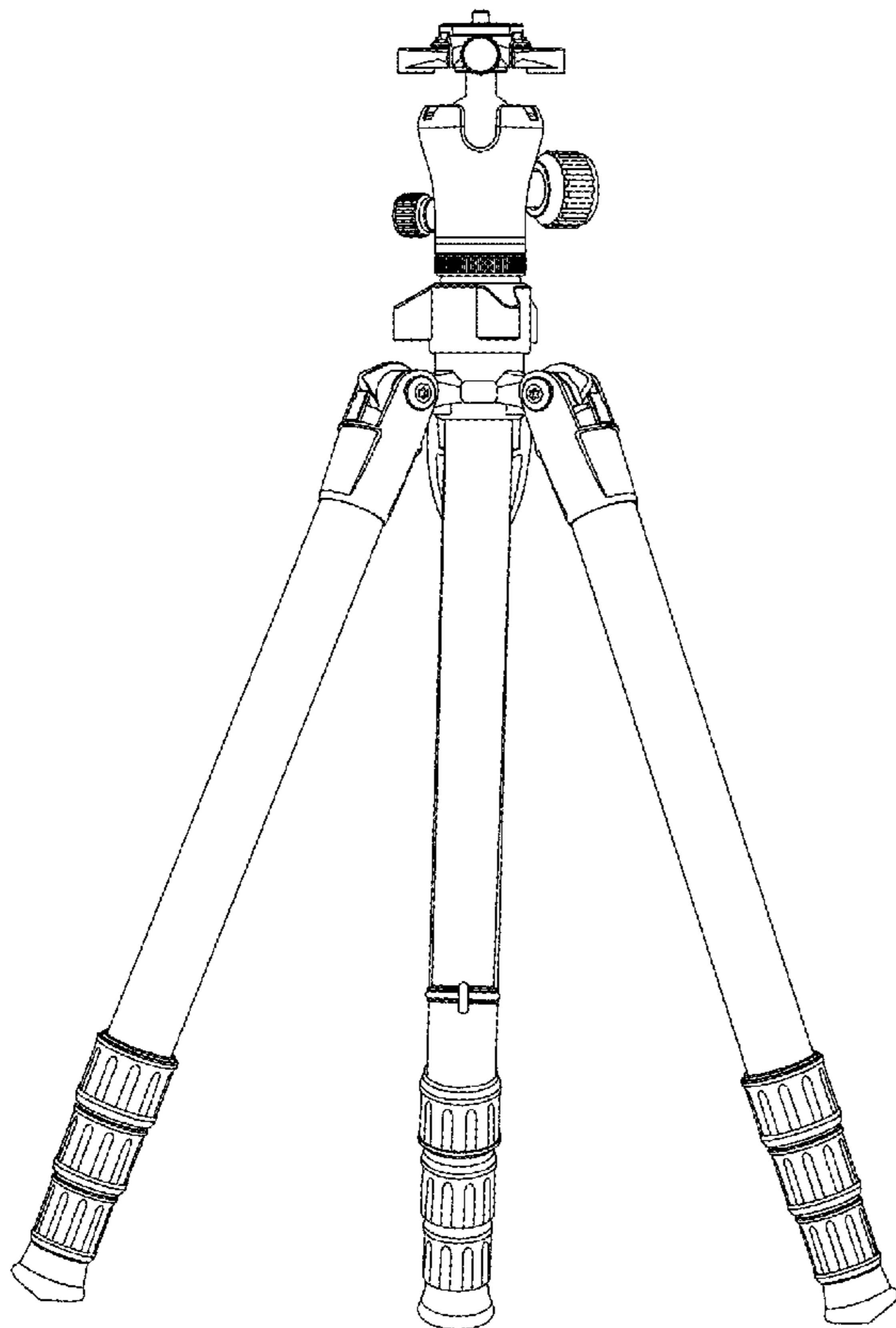
(57) **CLAIM**

The ornamental design for a tripod for a camera, as shown and described.

DESCRIPTION

FIG. 1 is a front elevation view of a tripod for a camera; FIG. 2 is a rear elevation view thereof; FIG. 3 is a rear elevation view thereof; FIG. 4 is a rear elevation view thereof; FIG. 5 is a top plan view thereof; FIG. 6 is a bottom plan view thereof; and, FIG. 7 is a perspective view thereof.

1 Claim, 7 Drawing Sheets



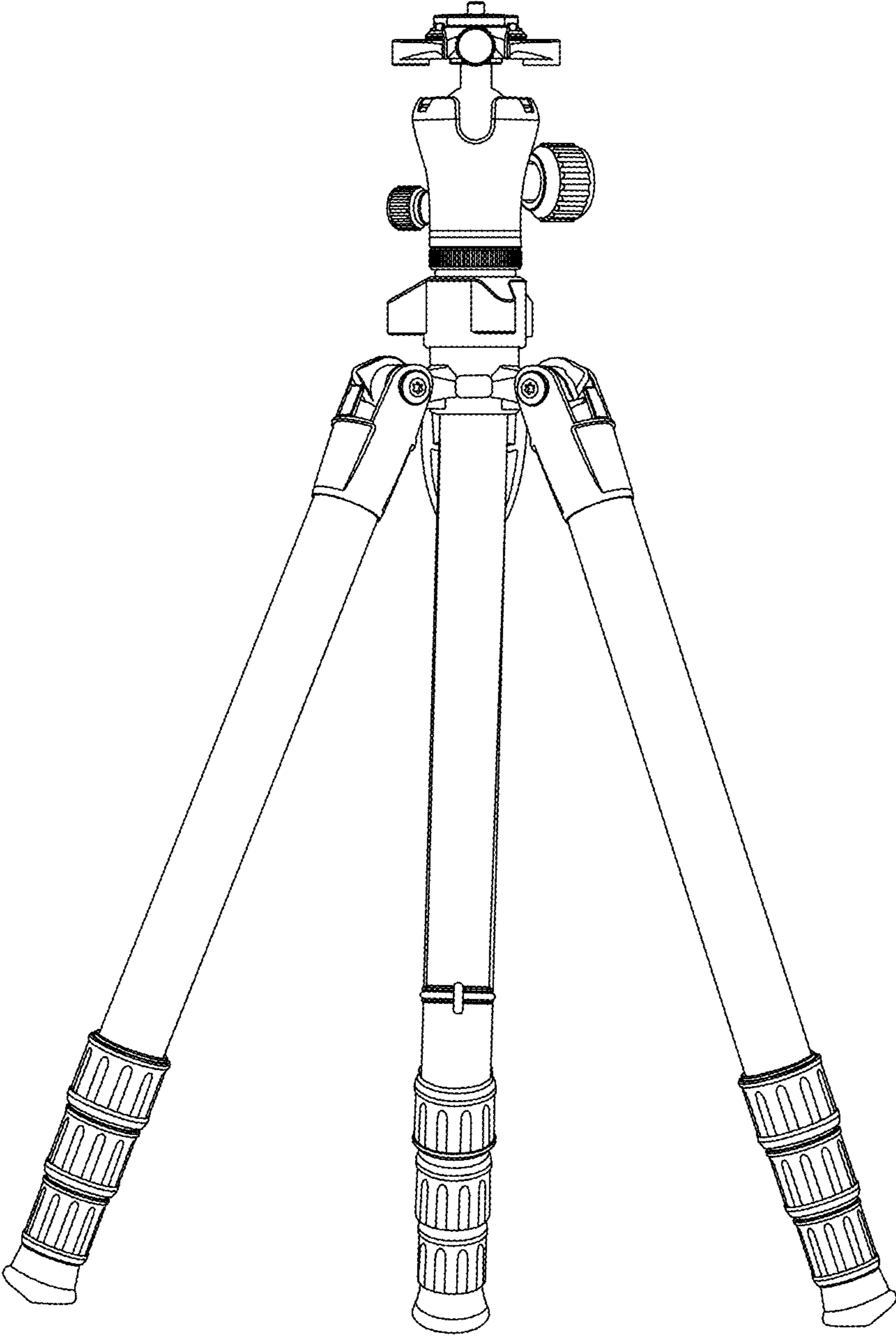


FIG.1

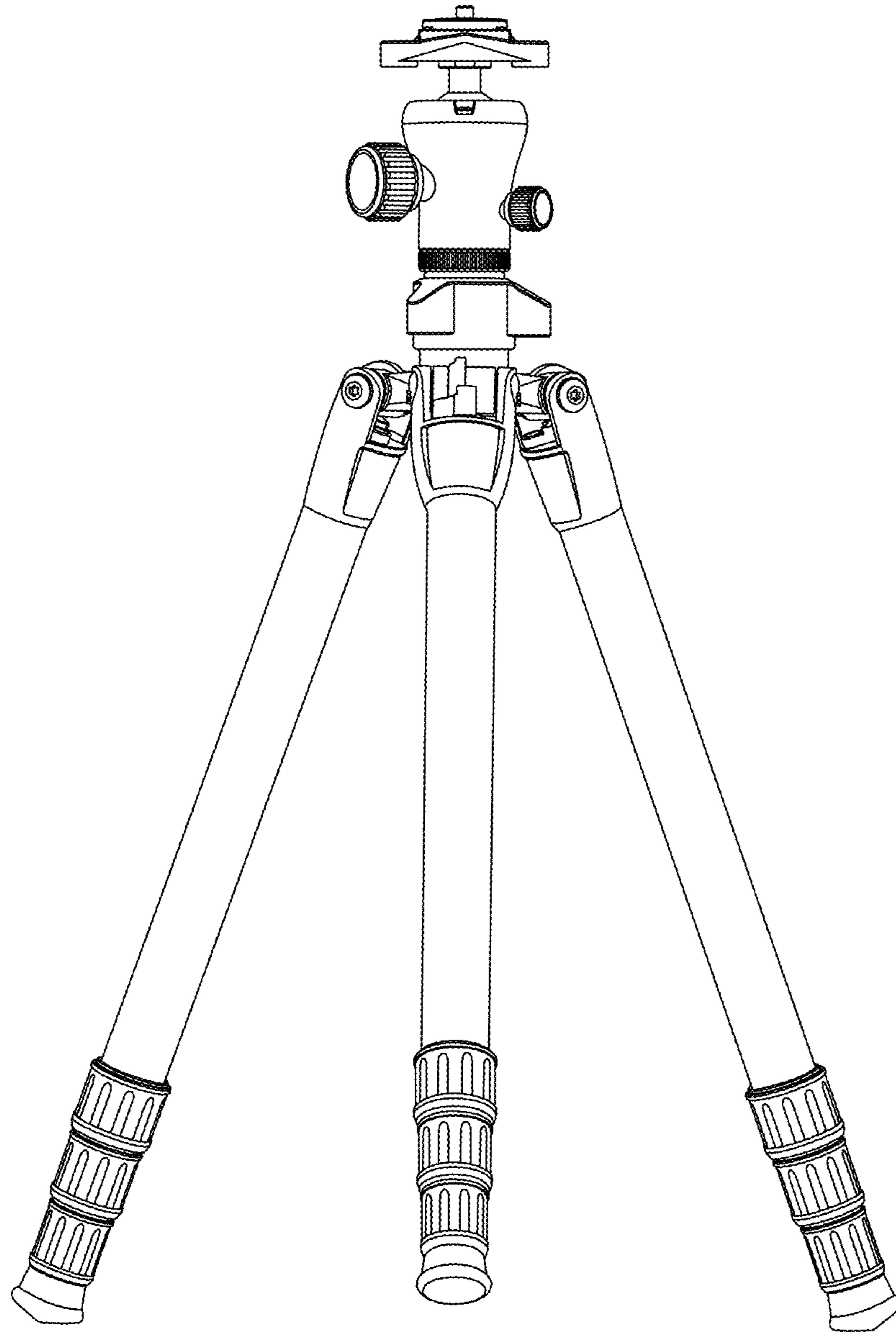


FIG.2

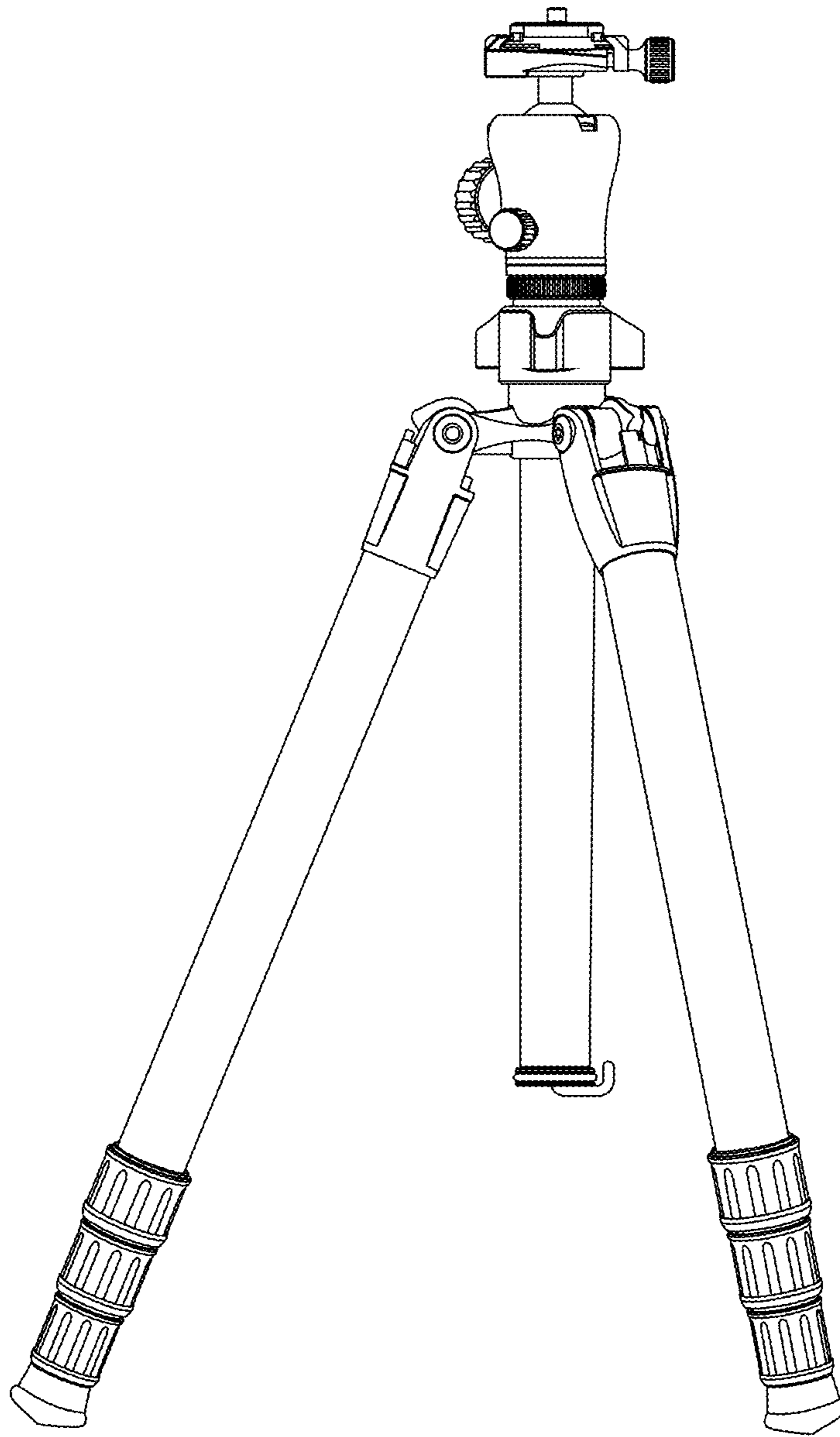


FIG.3

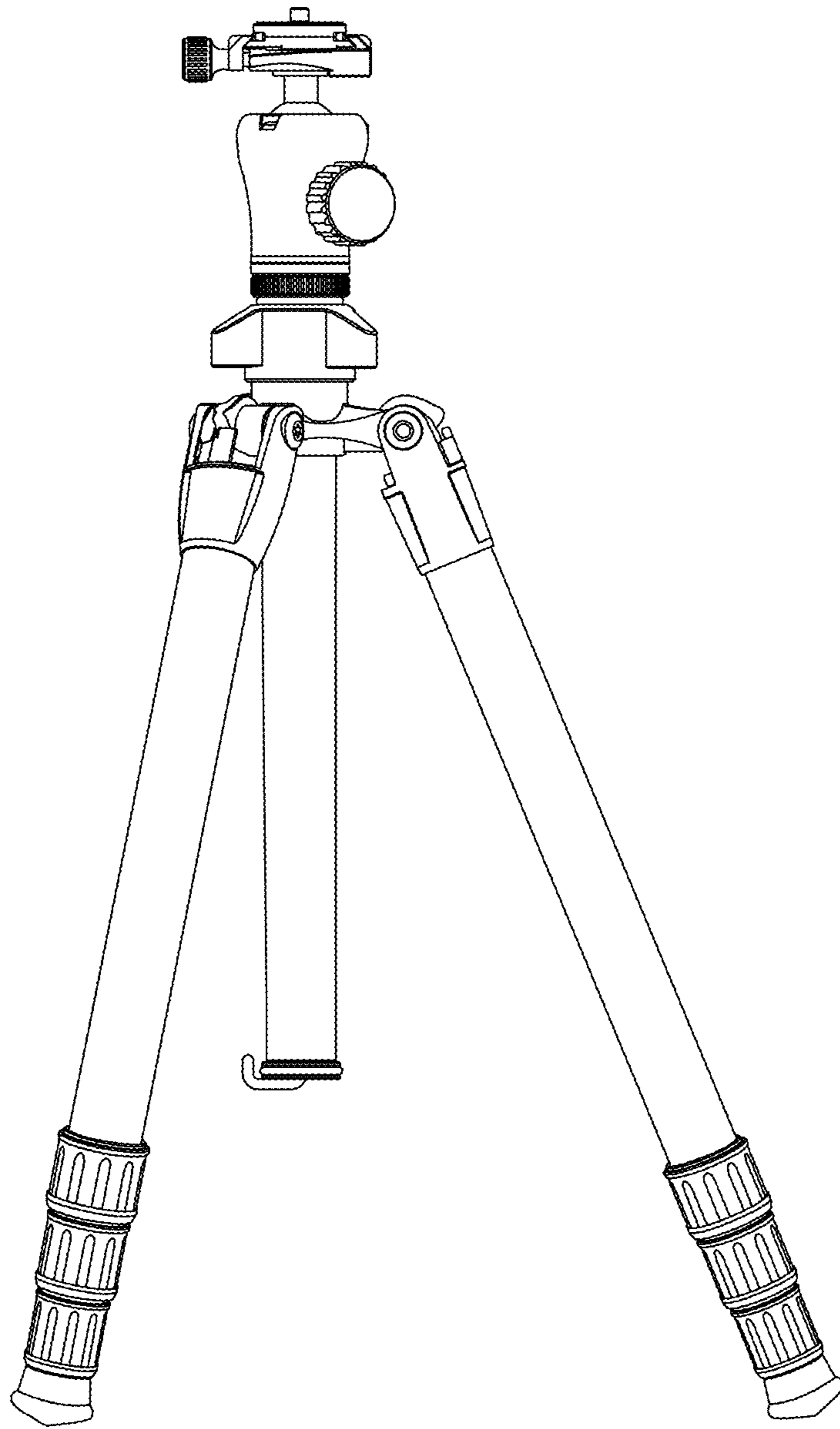


FIG.4

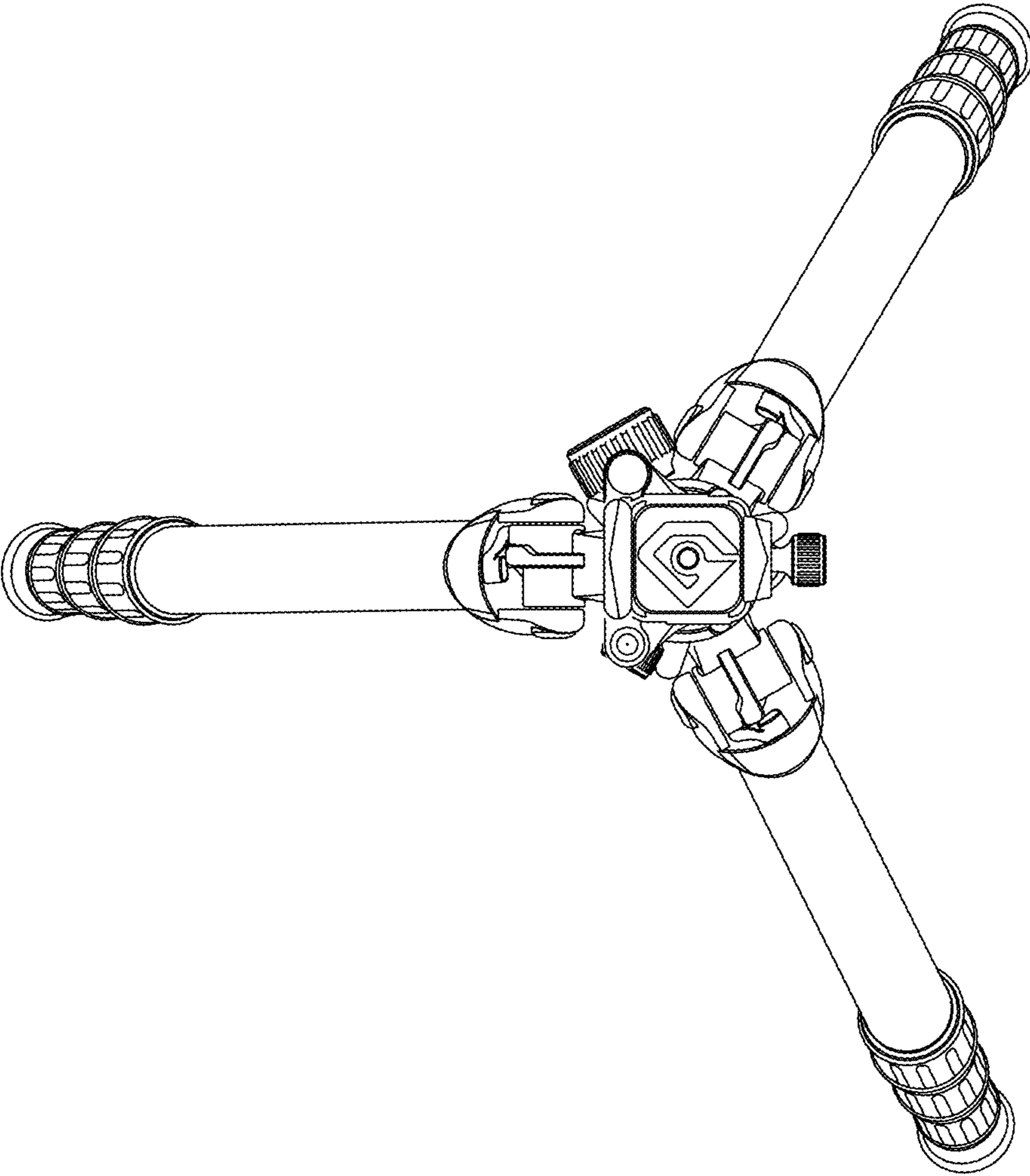


FIG.5

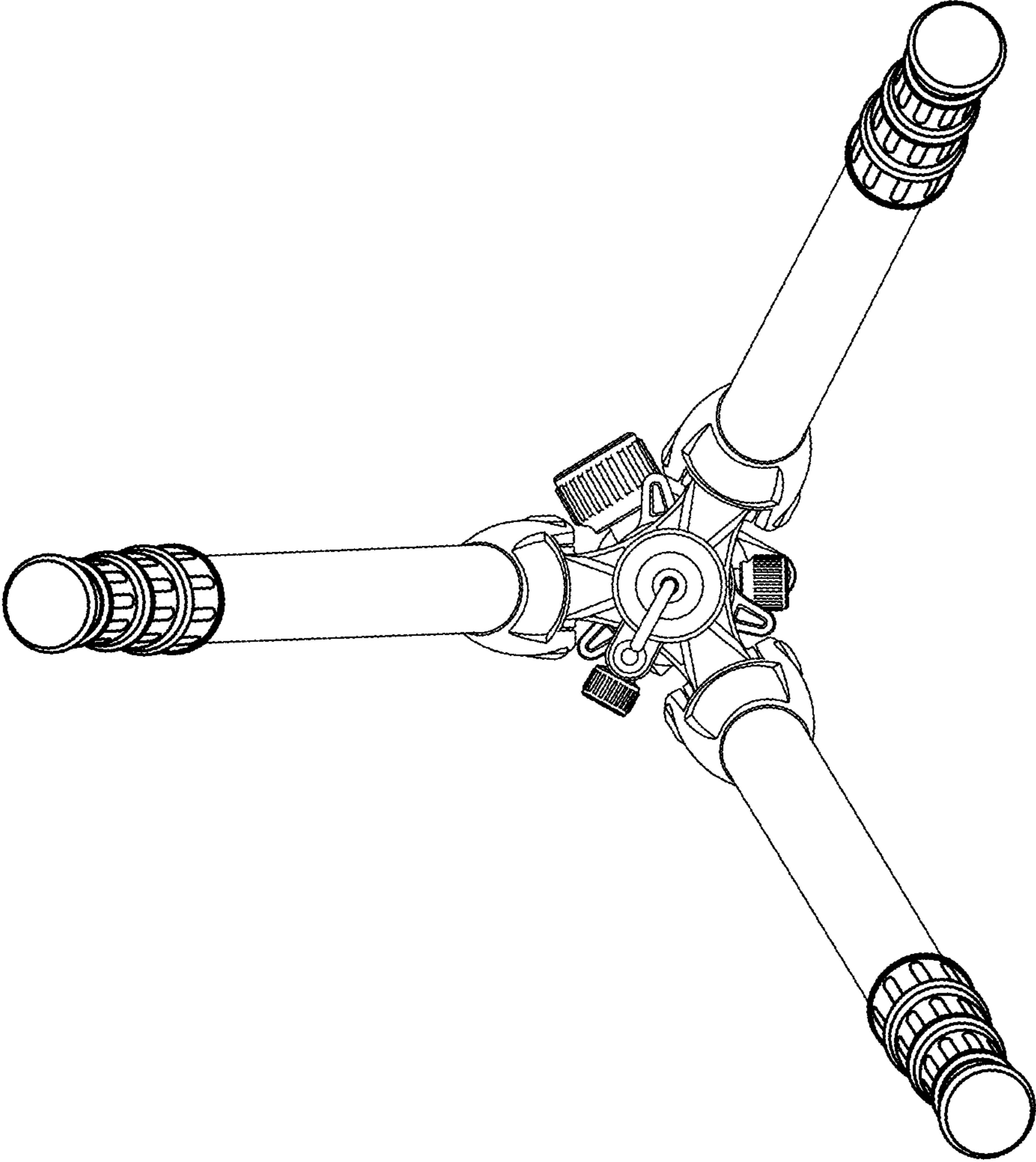


FIG.6

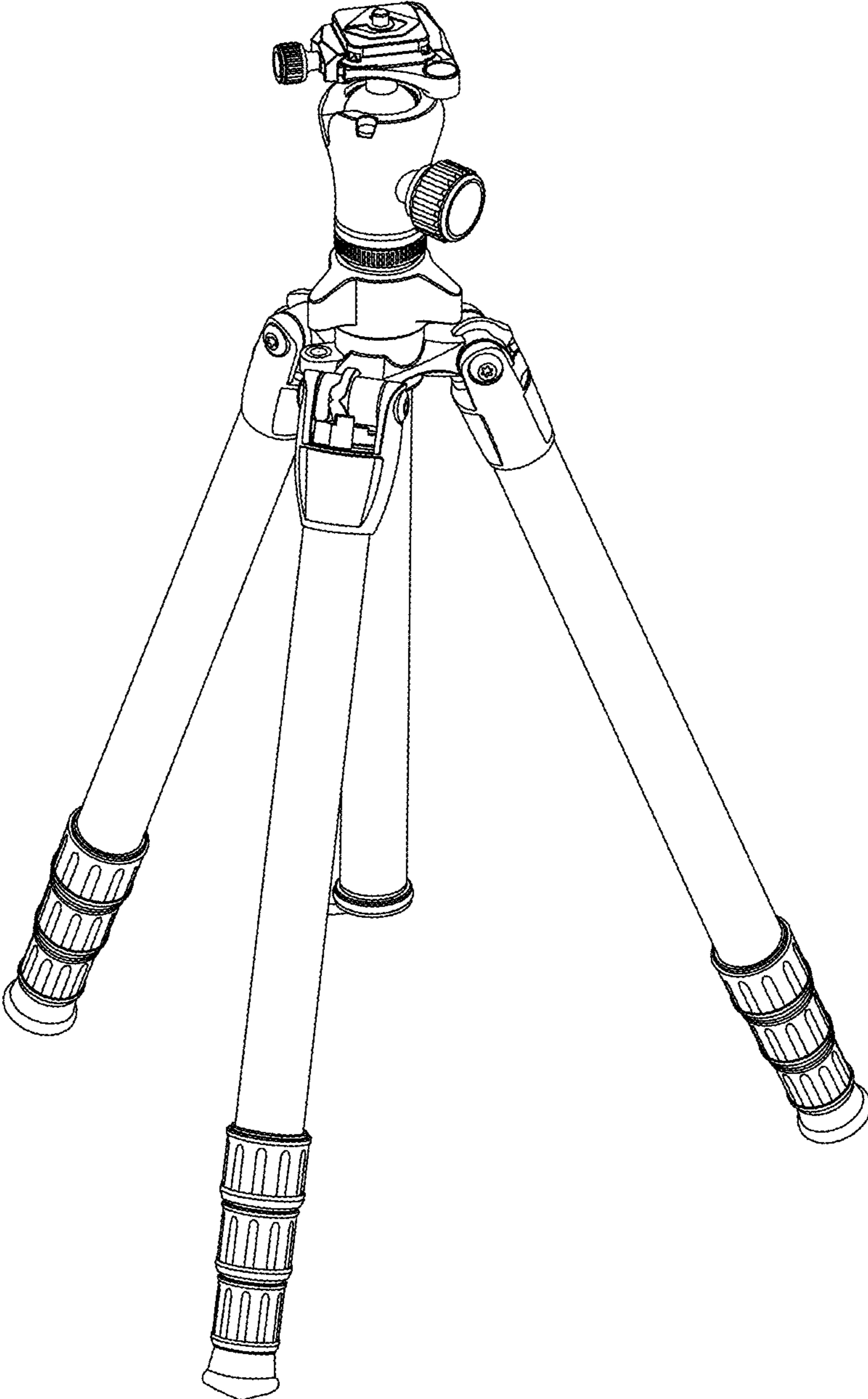


FIG.7