

US00D807417S

(12) **United States Design Patent**
Korte et al.

(10) **Patent No.:** **US D807,417 S**

(45) **Date of Patent:** **** *Jan. 9, 2018**

(54) **RING BIT**

E21B 2021/006; E21B 2034/005; E21B
2034/007; E21B 21/001

(71) Applicants: **Pasi Korte**, Lempäälä (FI); **Sami
Eskelin**, Talma (FI); **Mikko Mattila**,
Turku (FI); **Antti Leino**, Ylöjärvi (FI)

See application file for complete search history.

(72) Inventors: **Pasi Korte**, Lempäälä (FI); **Sami
Eskelin**, Talma (FI); **Mikko Mattila**,
Turku (FI); **Antti Leino**, Ylöjärvi (FI)

(56) **References Cited**

U.S. PATENT DOCUMENTS

1,713,273	A *	5/1929	Farrington	B23C 5/04 407/31
5,839,519	A	11/1998	Spedale		
6,035,953	A	3/2000	Rear		
D481,045	S *	10/2003	Ahn	D15/139
8,974,155	B2 *	3/2015	Dressler	B23C 5/04 144/236
D745,584	S *	12/2015	Heilmeyer	D15/139
D748,701	S *	2/2016	Velozny	D15/133
D753,201	S *	4/2016	Kim	D15/139
D753,738	S *	4/2016	Kim	D15/139

(Continued)

FOREIGN PATENT DOCUMENTS

JP	2003166390	6/2003
KR	20150014276	2/2015
WO	98/13575	4/1998

OTHER PUBLICATIONS

Search Report, Finnish Application No. 20155502 (dated Feb. 25, 2016).

Primary Examiner — Ian Simmons

Assistant Examiner — Khawaja Anwar

(74) *Attorney, Agent, or Firm* — Thompson Hine LLP

(57) **CLAIM**

The ornamental design for a ring bit, as shown and described.

DESCRIPTION

FIG. 1 is a first end view of the design;
FIG. 2 is a second end view of the design;
FIG. 3 is a perspective view of the design;
FIG. 4 is another perspective view of the design;
FIG. 5 is another perspective view of the design; and,

(Continued)

(**) **Term:** **15 Years**

(21) **Appl. No.:** **29/577,128**

(22) **Filed:** **Sep. 9, 2016**

(51) **LOC (11) Cl.** **15-07**

(52) **U.S. Cl.**
USPC **D15/139**

(58) **Field of Classification Search**
USPC D15/11, 28, 29, 32, 124–143; D8/16–20
CPC E21B 34/14; E21B 2033/105; E21B
2034/002; E21B 21/003; E21B 23/04;
E21B 29/02; E21B 33/10; E21B 33/1208;
E21B 33/13; E21B 33/134; E21B 33/138;
E21B 33/16; E21B 34/00; E21B 10/322;
E21B 17/01; E21B 17/1078; E21B
21/065; E21B 21/08; E21B 33/038; E21B
33/06; E21B 34/06; E21B 41/00; E21B
43/08; E21B 43/26; E21B 47/026; E21B
4/02; E21B 10/26; E21B 12/00; E21B
15/003; E21B 17/1014; E21B 17/1021;
E21B 19/004; E21B 19/006; E21B 19/06;
E21B 19/10; E21B 19/22; E21B 19/24;

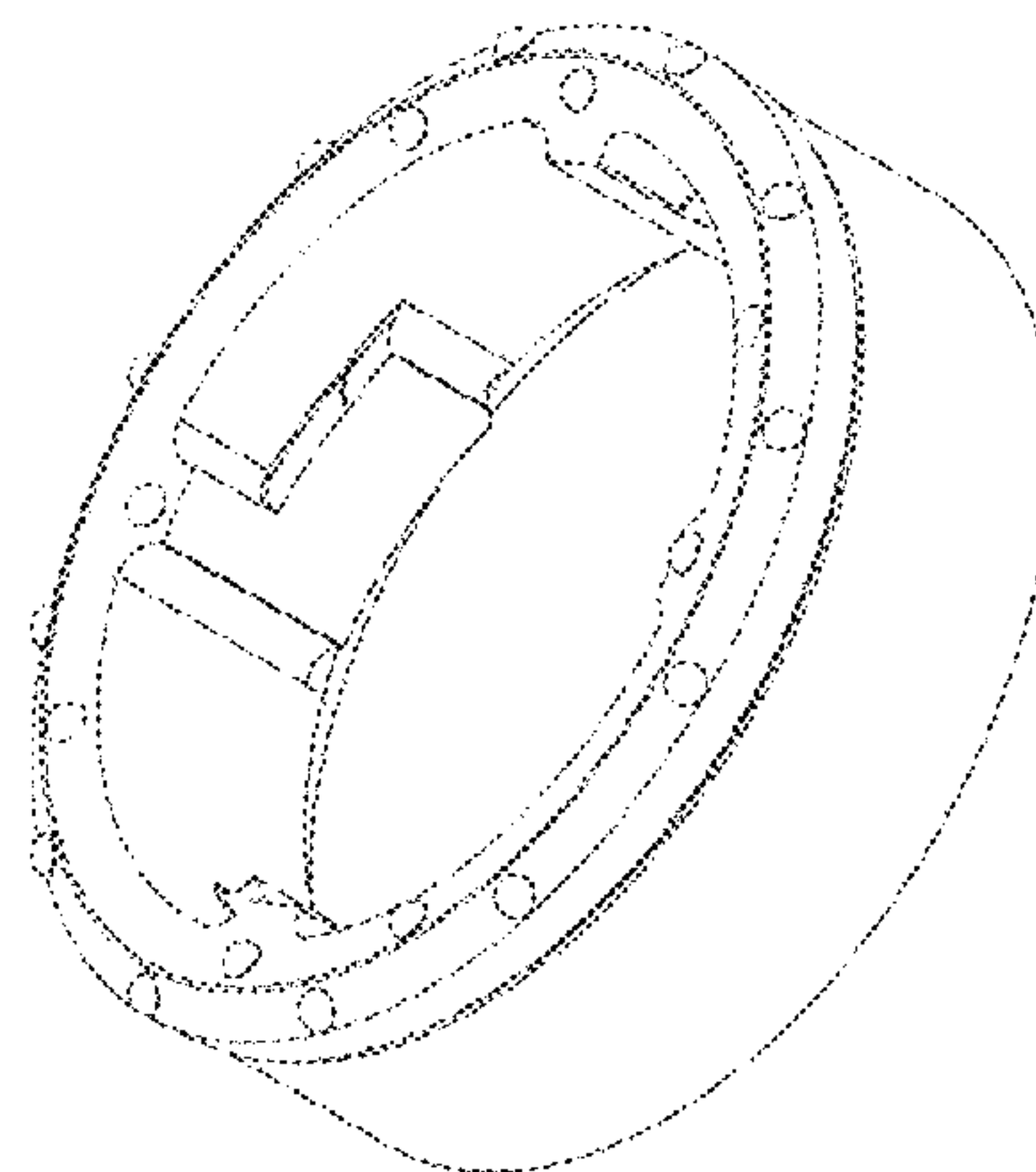
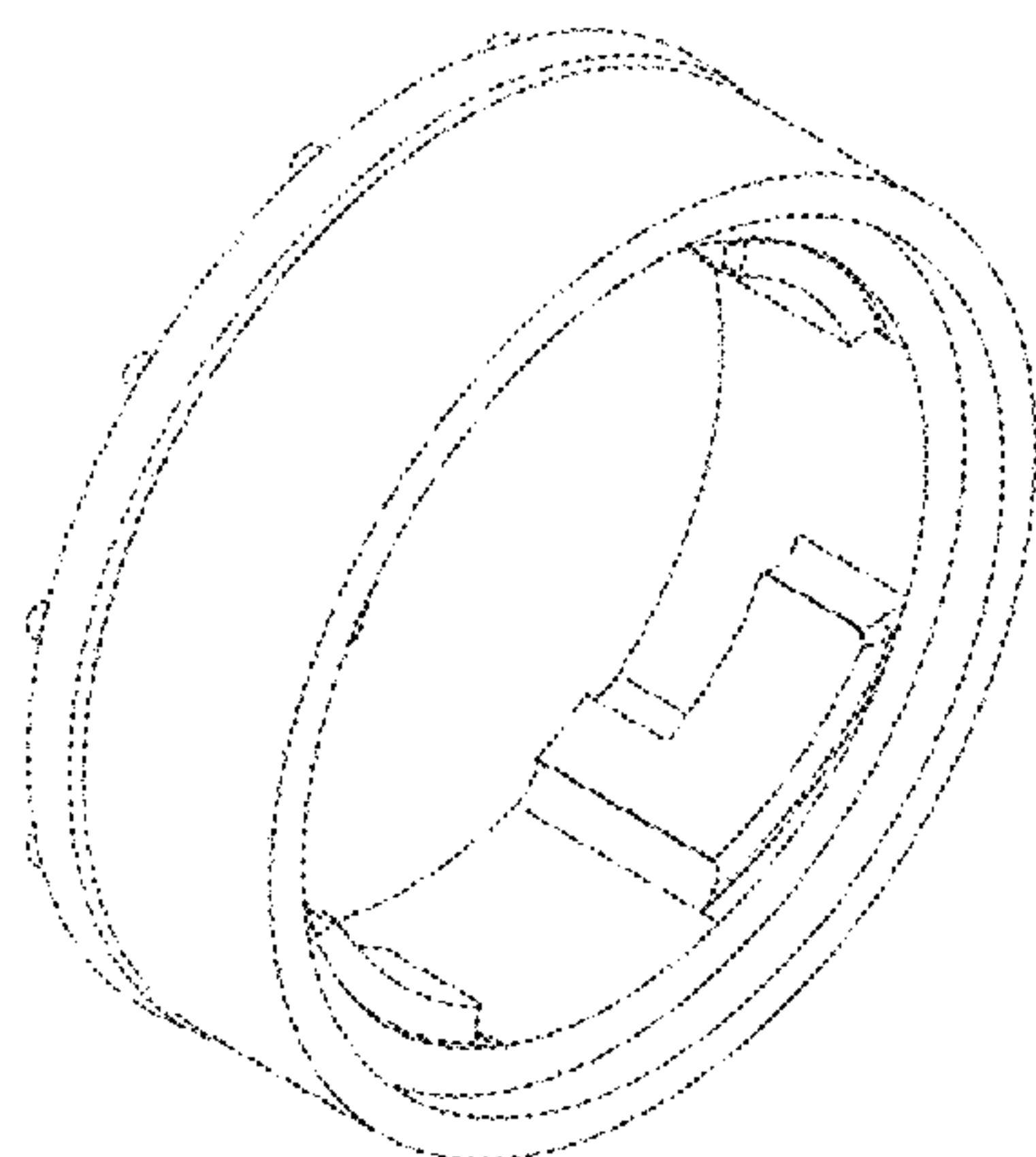


FIG. 6 is a side view of the design.
The broken lines shown in the drawings represent environment and form no part of the claimed design.

1 Claim, 3 Drawing Sheets

(56) **References Cited**

U.S. PATENT DOCUMENTS

D771,165 S * 11/2016 Kim D15/139
2007/0256287 A1* 11/2007 Kocherovsky B23C 5/207
29/428
2008/0175679 A1* 7/2008 Prichard B23C 5/109
407/42

* cited by examiner

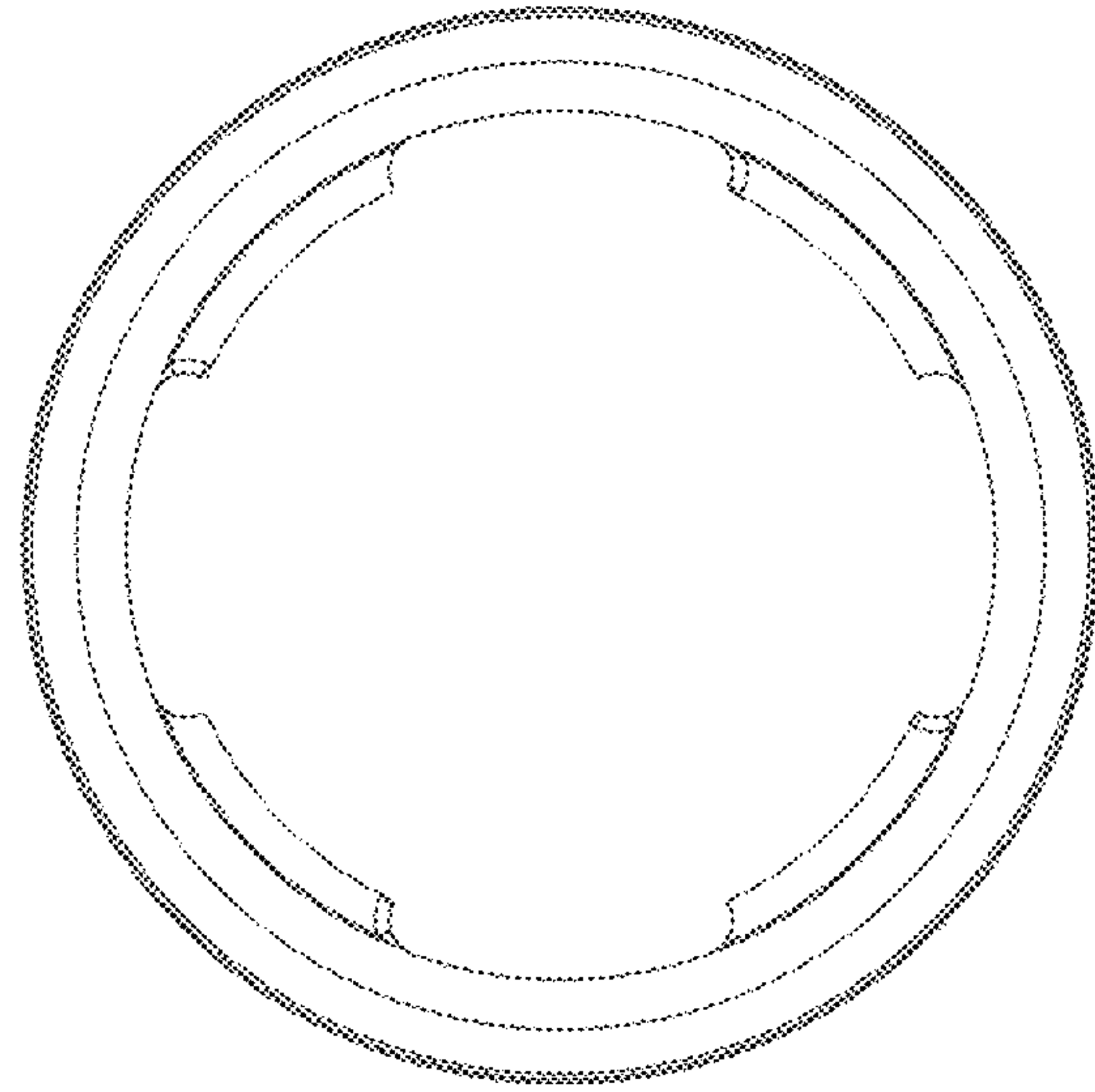


Fig. 1

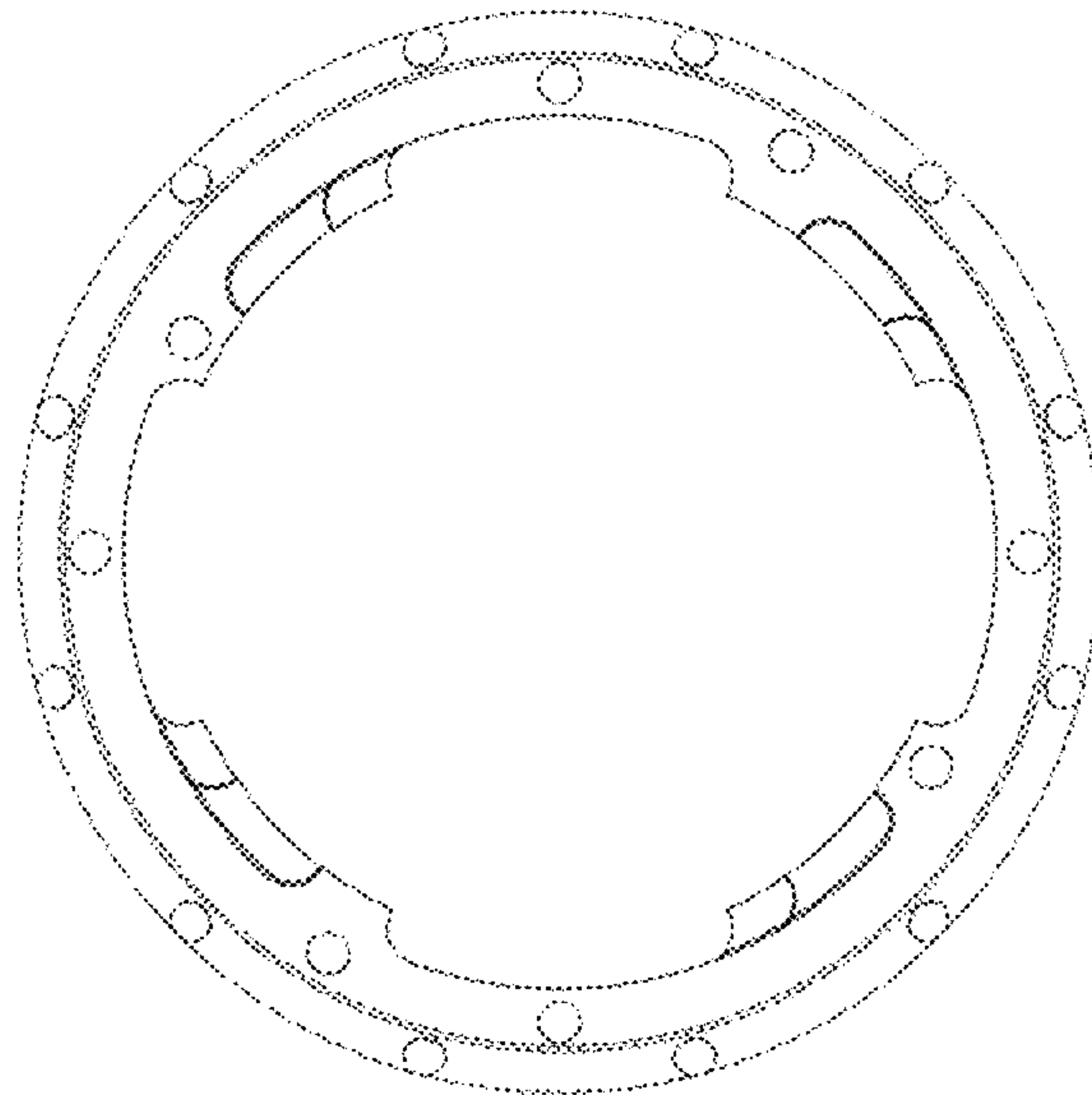


Fig. 2

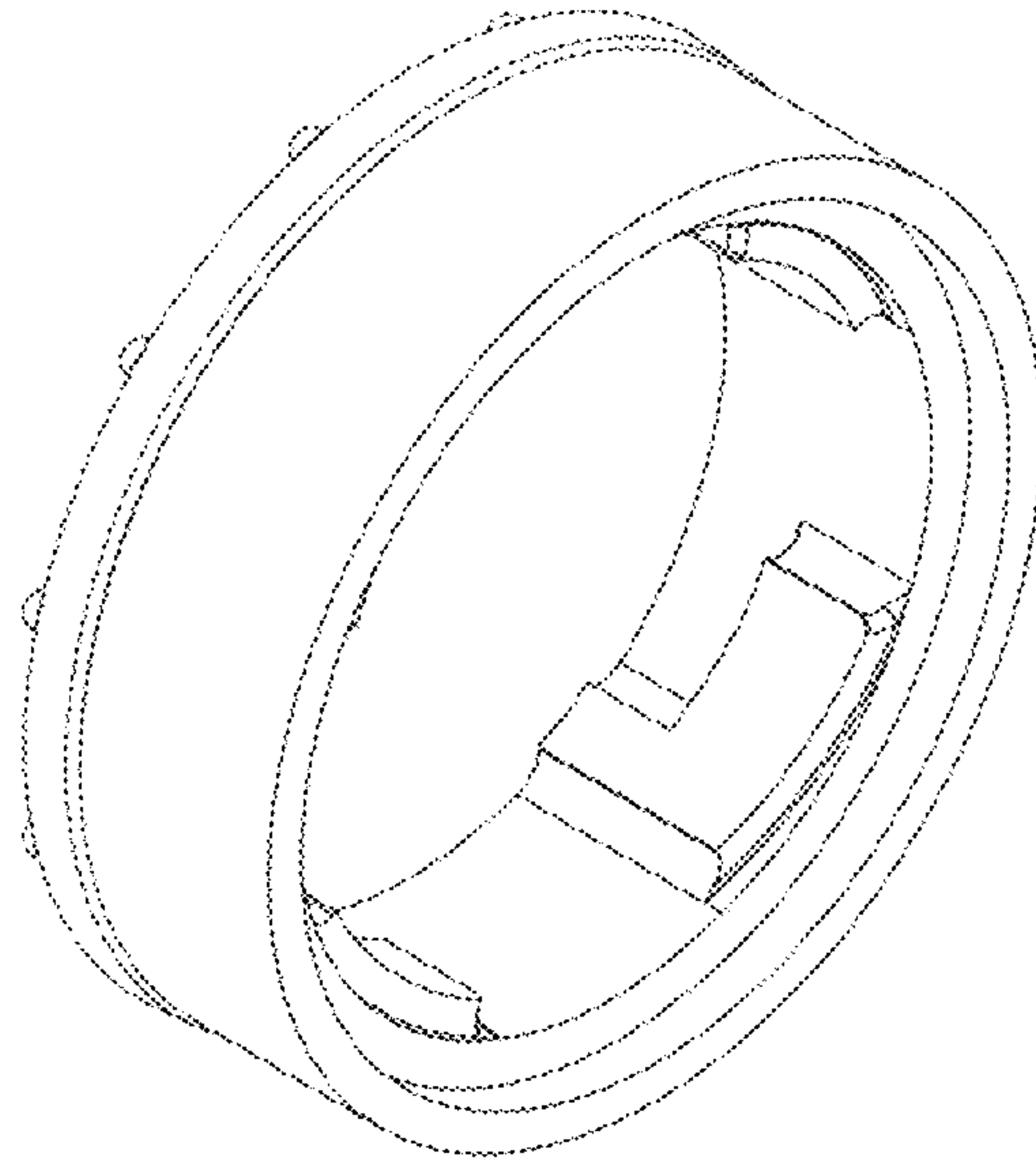


Fig. 3

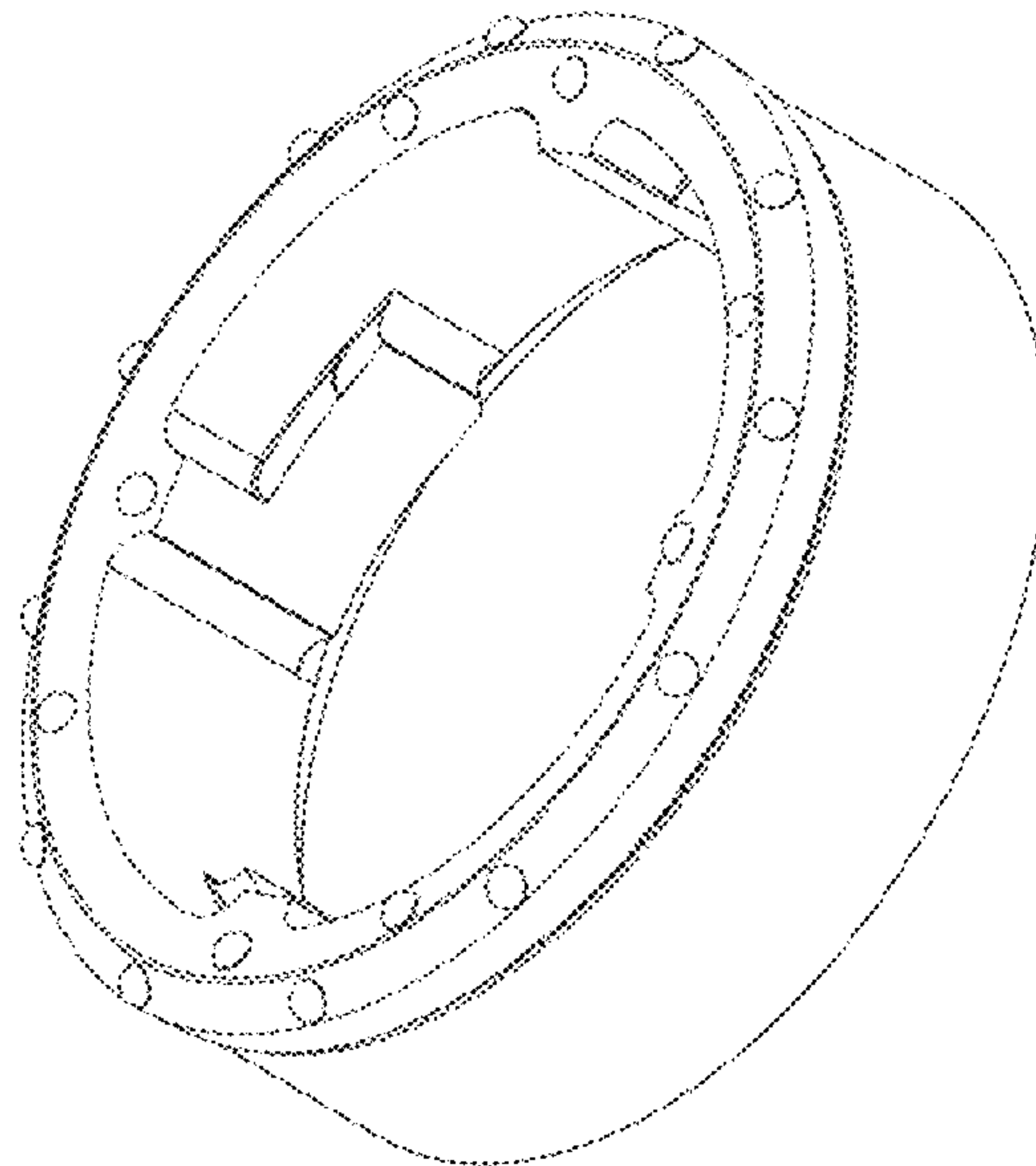


Fig. 4

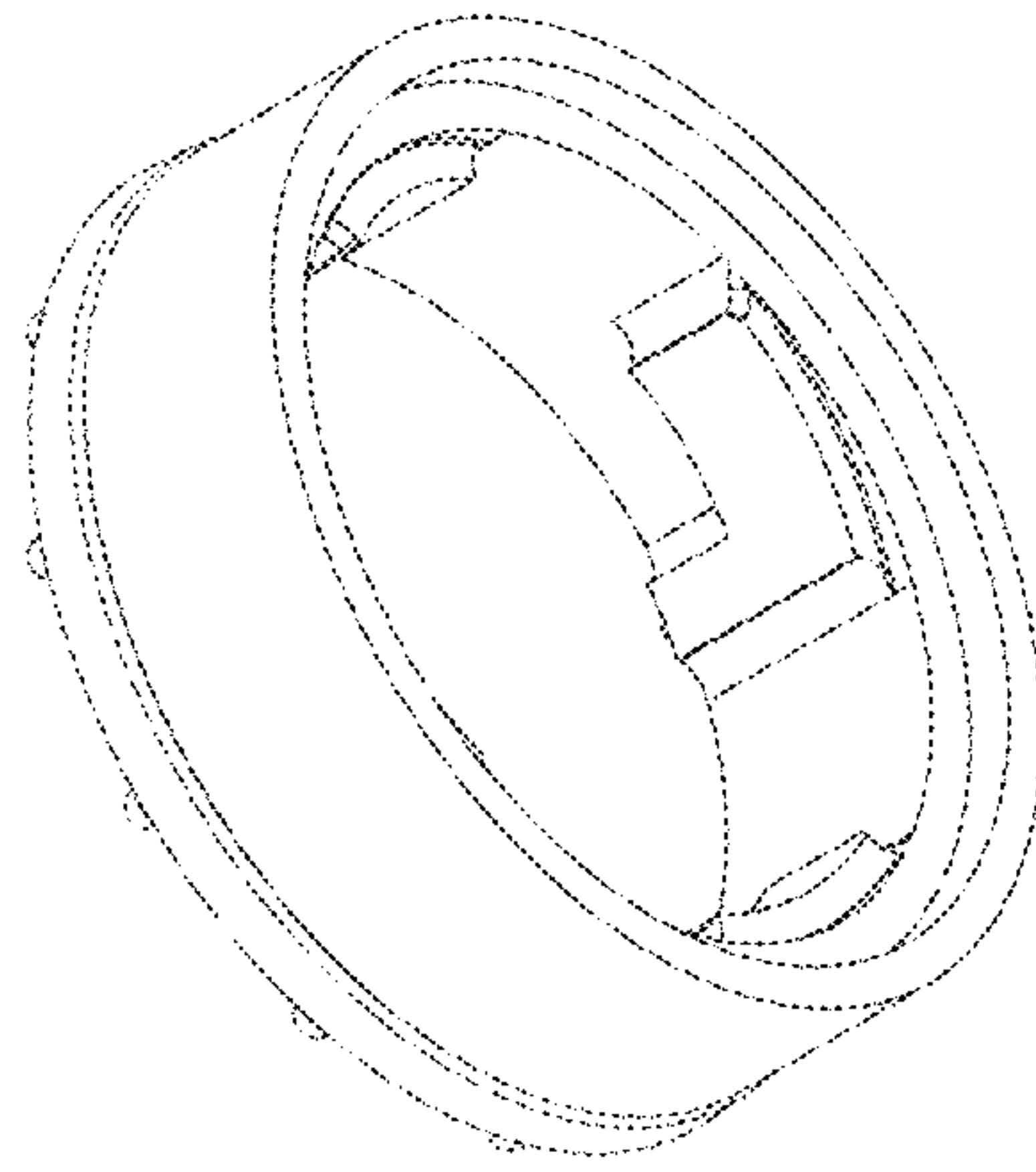


Fig. 5

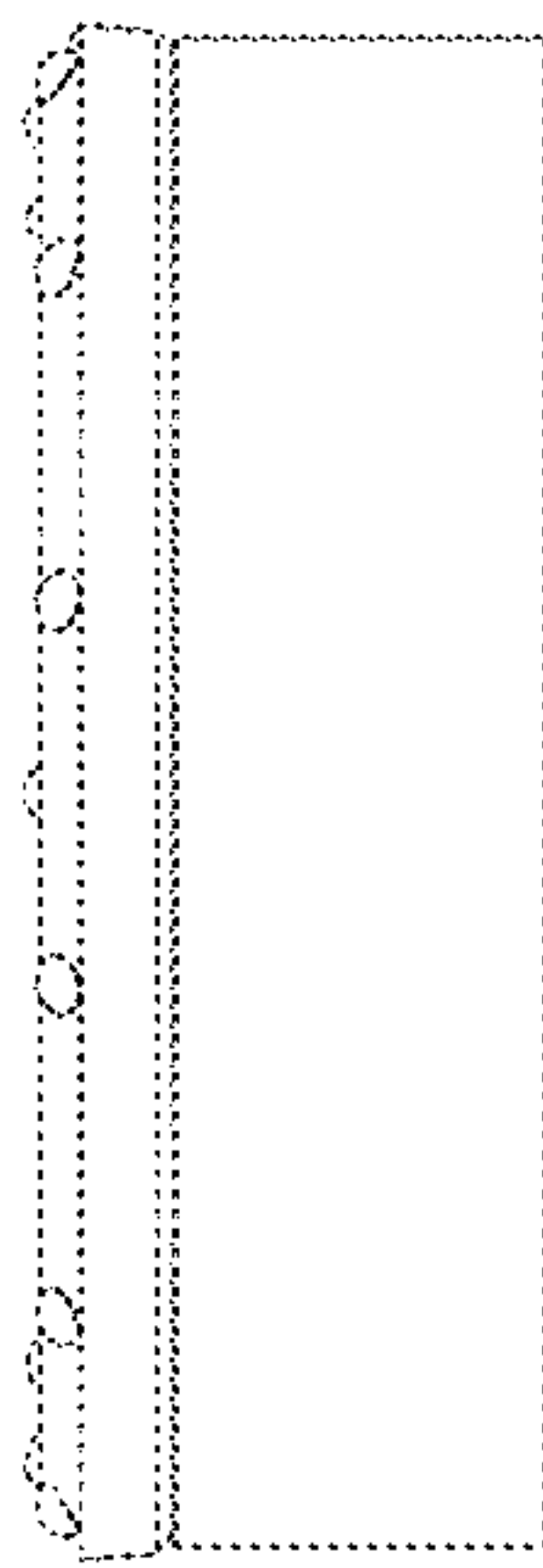


Fig. 6