

US00D807416S

(12) **United States Design Patent**
Du et al.

(10) **Patent No.:** **US D807,416 S**
(45) **Date of Patent:** **** Jan. 9, 2018**

(54) **FOLDING MECHANISM OF A MACHINE ARM**

(71) Applicant: **GUANGZHOU EHang INTELLIGENT TECHNOLOGY CO., LTD.**, Guangzhou (CN)

(72) Inventors: **Hao Du**, Guangzhou (CN); **Zhiyi Li**, Guangzhou (CN); **Chunming Ma**, Guangzhou (CN)

(73) Assignee: **Guangzhou Ehang Intelligent Technology Co., Ltd.**, Guangzhou, Guangdong (CN)

(**) Term: **15 Years**

(21) Appl. No.: **29/557,510**

(22) Filed: **Mar. 9, 2016**

(30) **Foreign Application Priority Data**

Dec. 25, 2015 (CN) 2015 3 0558371

(51) **LOC (11) Cl.** **15-09**

(52) **U.S. Cl.**
USPC **D15/138**

(58) **Field of Classification Search**
USPC D12/343, 345; D15/122, 138, 199
CPC B64C 3/56; Y10T 74/20588
See application file for complete search history.

(56) **References Cited**

U.S. PATENT DOCUMENTS

2,011,198 A * 8/1935 Morey B65B 7/08
53/286
2,119,726 A * 6/1938 Sumner B65B 11/12
222/252
2,377,687 A * 6/1945 Howard B65B 43/42
53/249

2,468,425 A * 4/1949 Carpenter B64C 3/56
244/49
3,220,621 A * 11/1965 Freeman D06F 89/023
223/37
3,647,315 A * 3/1972 Rostad B64C 27/026
244/7 A
4,209,150 A * 6/1980 Stephenson B64C 1/14
16/82
4,329,808 A * 5/1982 Rich A63H 27/14
446/62
D269,681 S * 7/1983 Morser D15/122
4,471,601 A * 9/1984 Strombeck B65B 7/20
141/172
4,770,372 A * 9/1988 Ralph B64C 25/60
244/102 R
5,692,994 A * 12/1997 Eschenbach A63B 22/001
482/51
6,082,665 A * 7/2000 Spitzer B60F 5/02
244/2
6,086,014 A * 7/2000 Bragg, Jr. B60F 5/02
244/2

(Continued)

Primary Examiner — Patricia Palasik

(74) *Attorney, Agent, or Firm* — Hamre, Schumann, Mueller & Larson, P.C.

(57) **CLAIM**

The ornamental design for a folding mechanism of a machine arm, as shown and described.

DESCRIPTION

FIG. 1 is a perspective view of the folding mechanism of a machine arm;

FIG. 2 is a front view thereof, the rear view being a mirror thereof;

FIG. 3 is a left side view thereof;

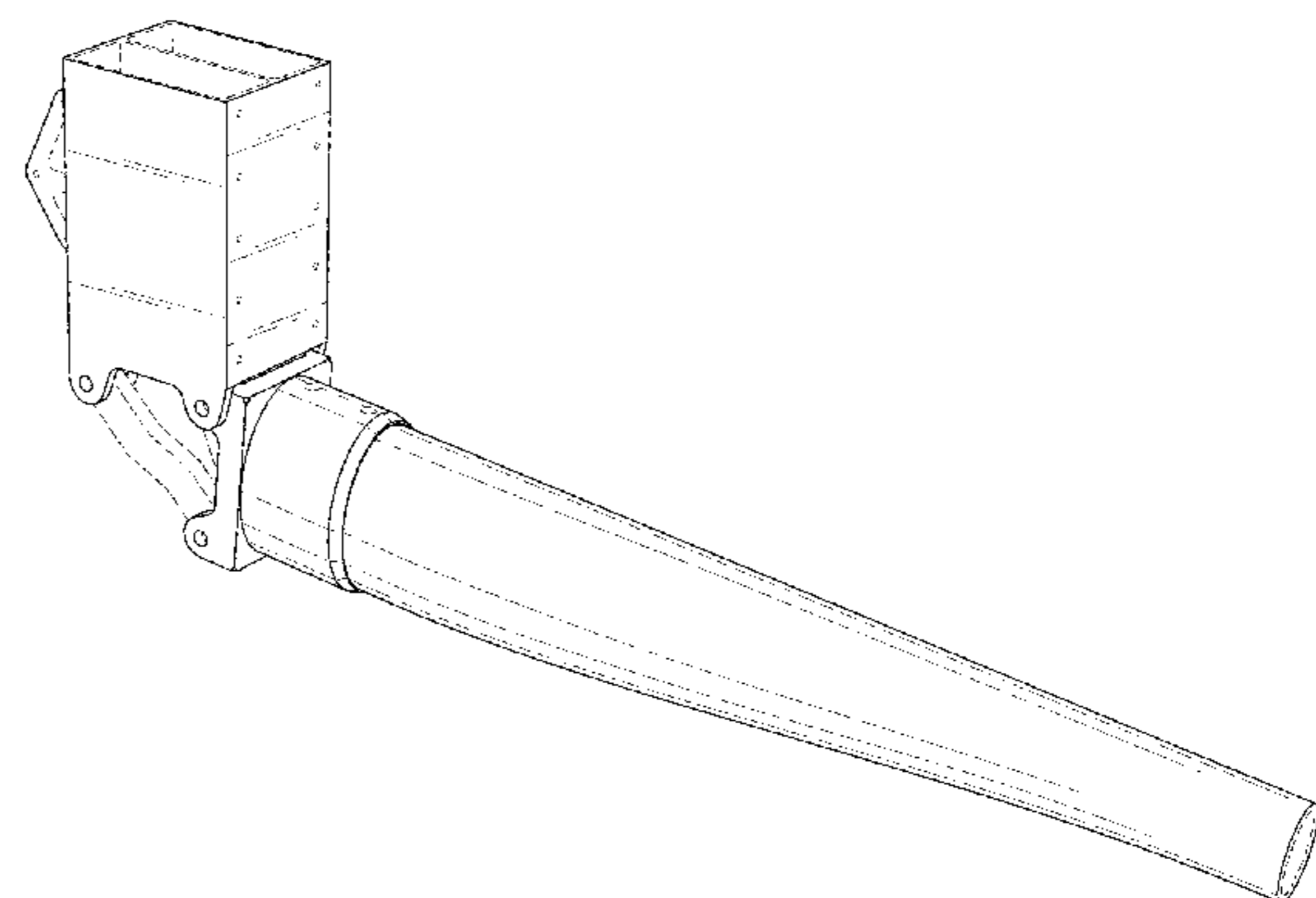
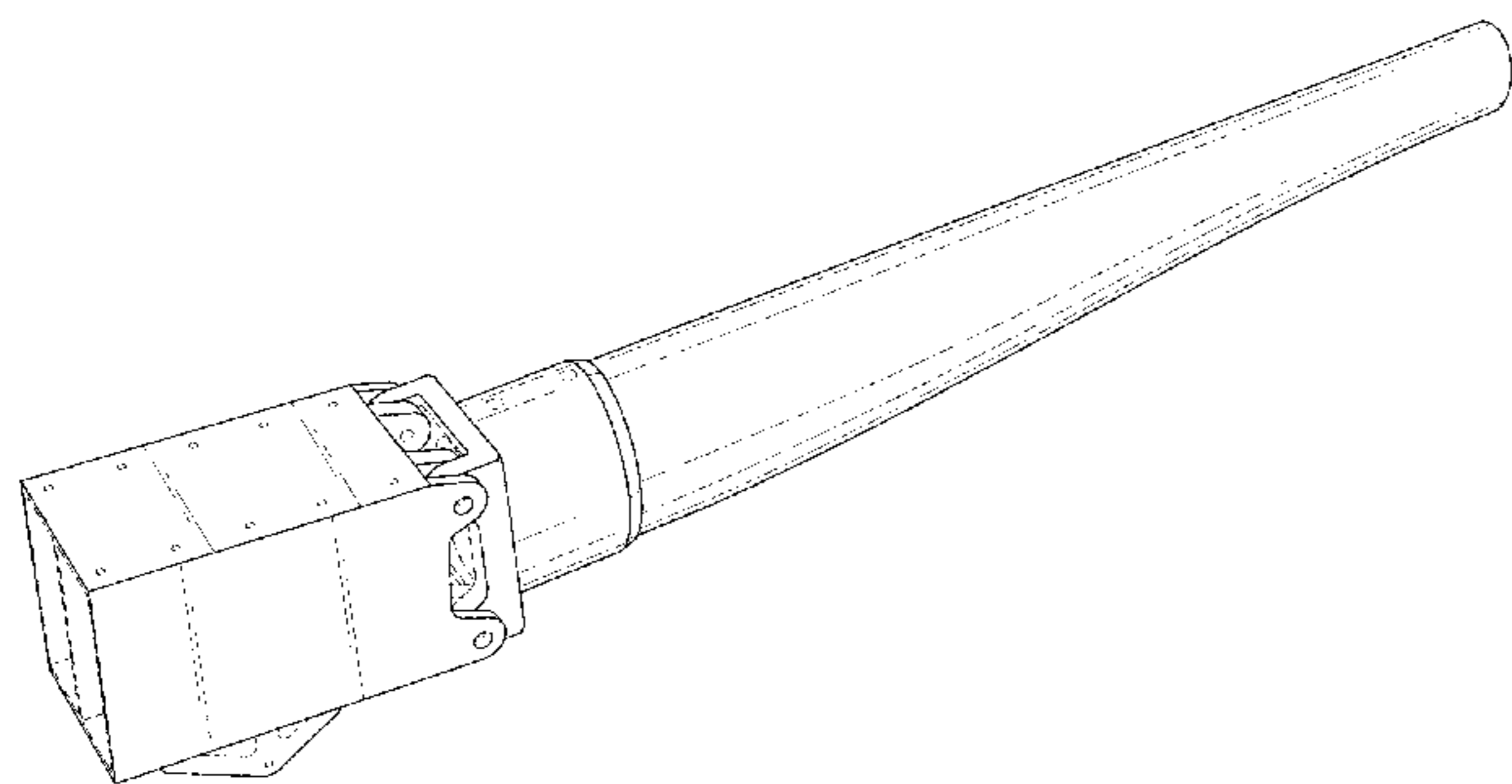
FIG. 4 is a right side view thereof;

FIG. 5 is a top view thereof;

FIG. 6 is a bottom view thereof; and,

FIG. 7 is a perspective view of the folding mechanism of a machine arm positioned in a folded configuration.

1 Claim, 4 Drawing Sheets



(56)

References Cited

U.S. PATENT DOCUMENTS

D444,488	S *	7/2001	Selic	D15/199
D492,639	S *	7/2004	Kunneman	D12/345
D569,886	S *	5/2008	Larsson	D15/199
D609,259	S *	2/2010	Mortimer	D15/199
D638,776	S *	5/2011	Masson	D12/345
D783,695	S *	4/2017	Ke	D15/143
2005/0044753	A1 *	3/2005	Lohnes	E02F 3/435
				37/348
2006/0016625	A1 *	1/2006	Ferrand	E21B 7/022
				175/77
2007/0108173	A1 *	5/2007	Zamuner	B23K 9/287
				219/137.31
2016/0279715	A1 *	9/2016	Chen	B23B 39/00
2016/0291571	A1 *	10/2016	Cristiano	G05B 19/402
2017/0073865	A1 *	3/2017	Kuramashi	D05B 29/06

* cited by examiner

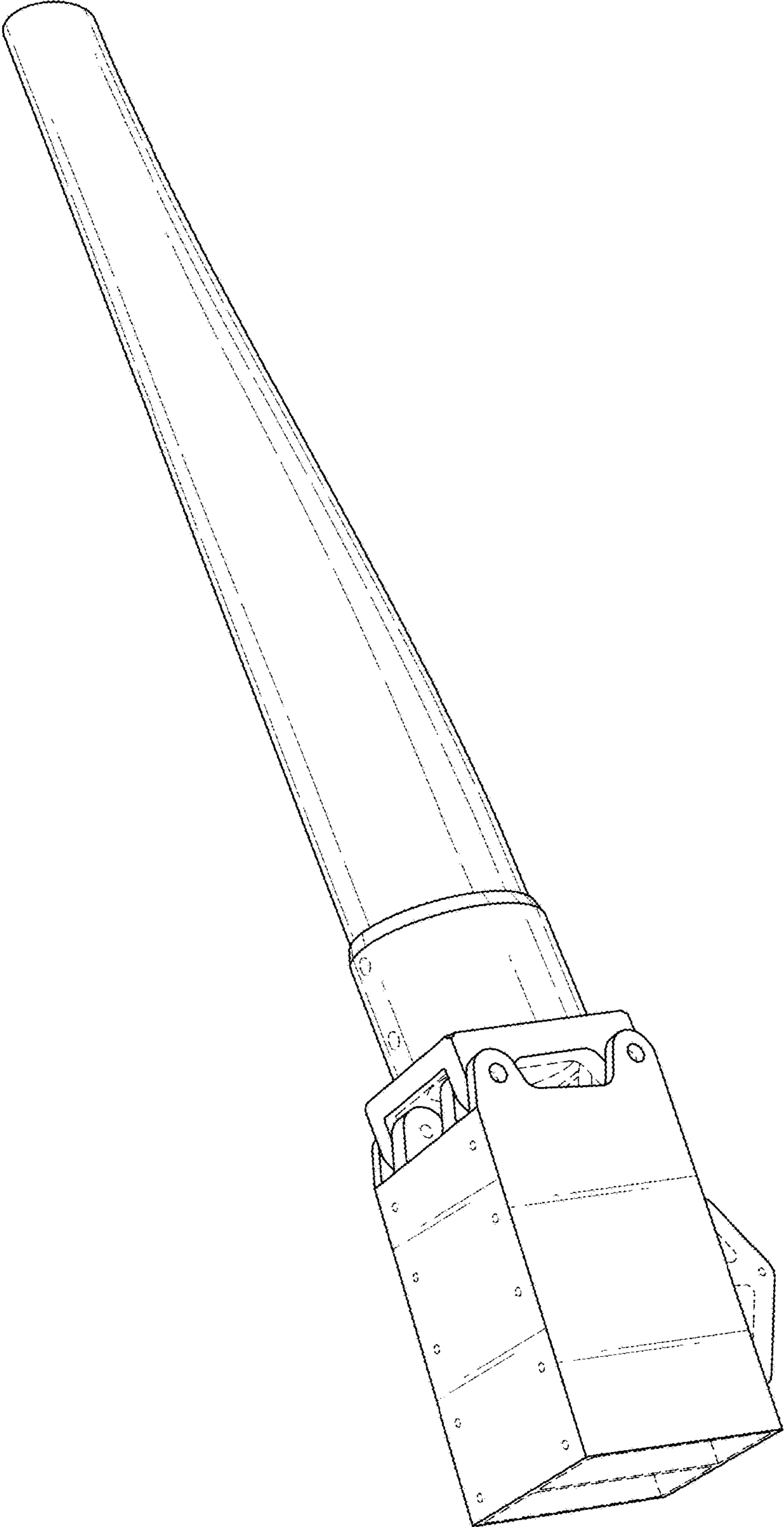


Fig. 1

Fig. 2

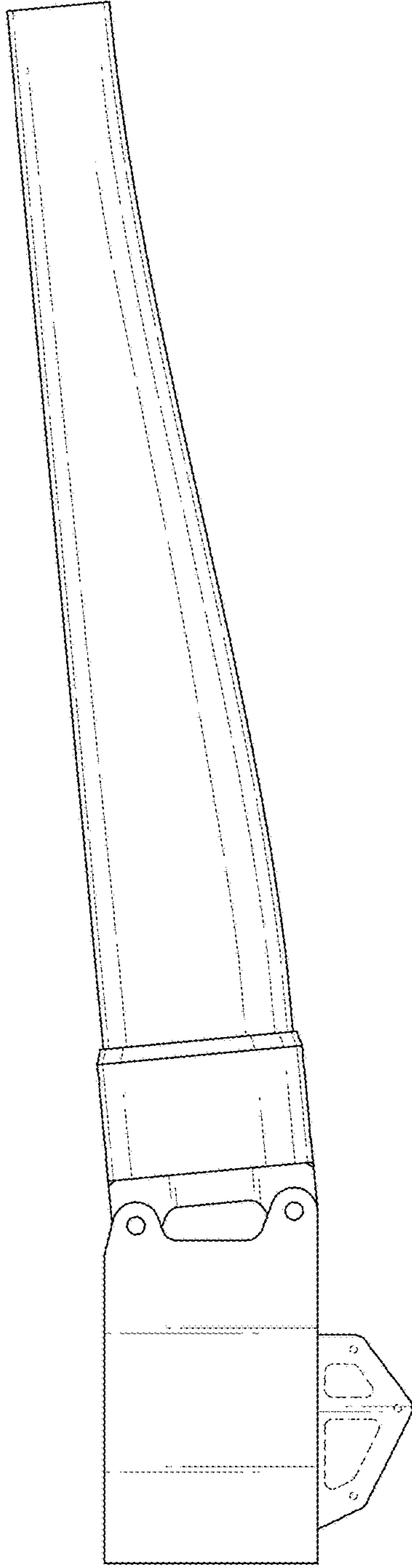


Fig. 3

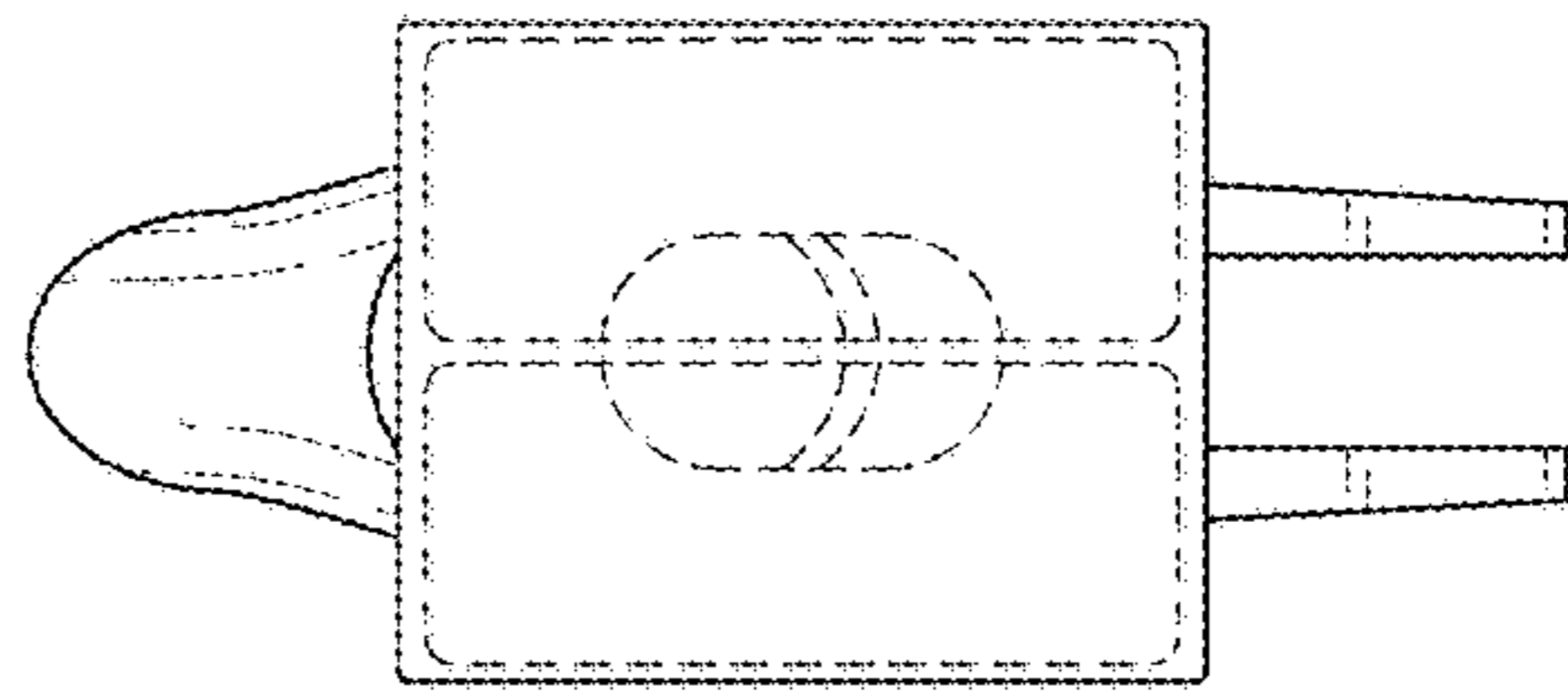


Fig. 4

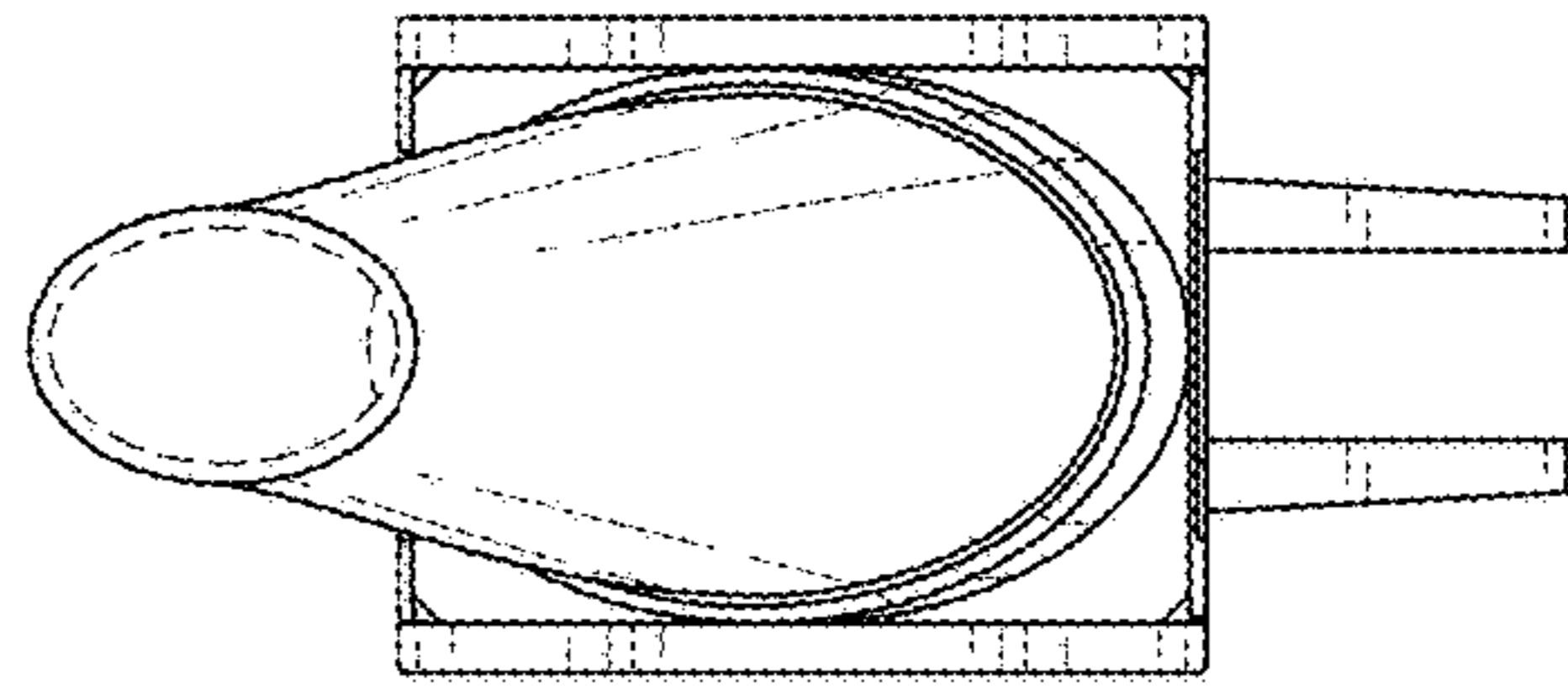


Fig. 5

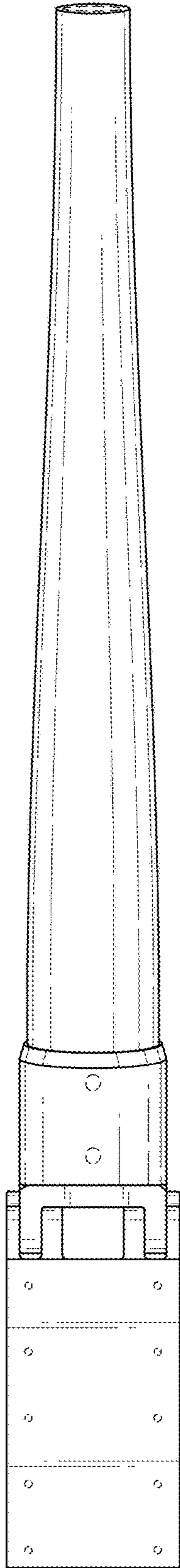
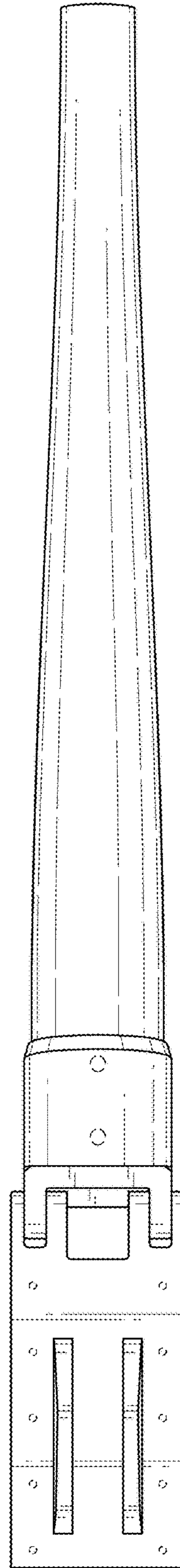


Fig. 6



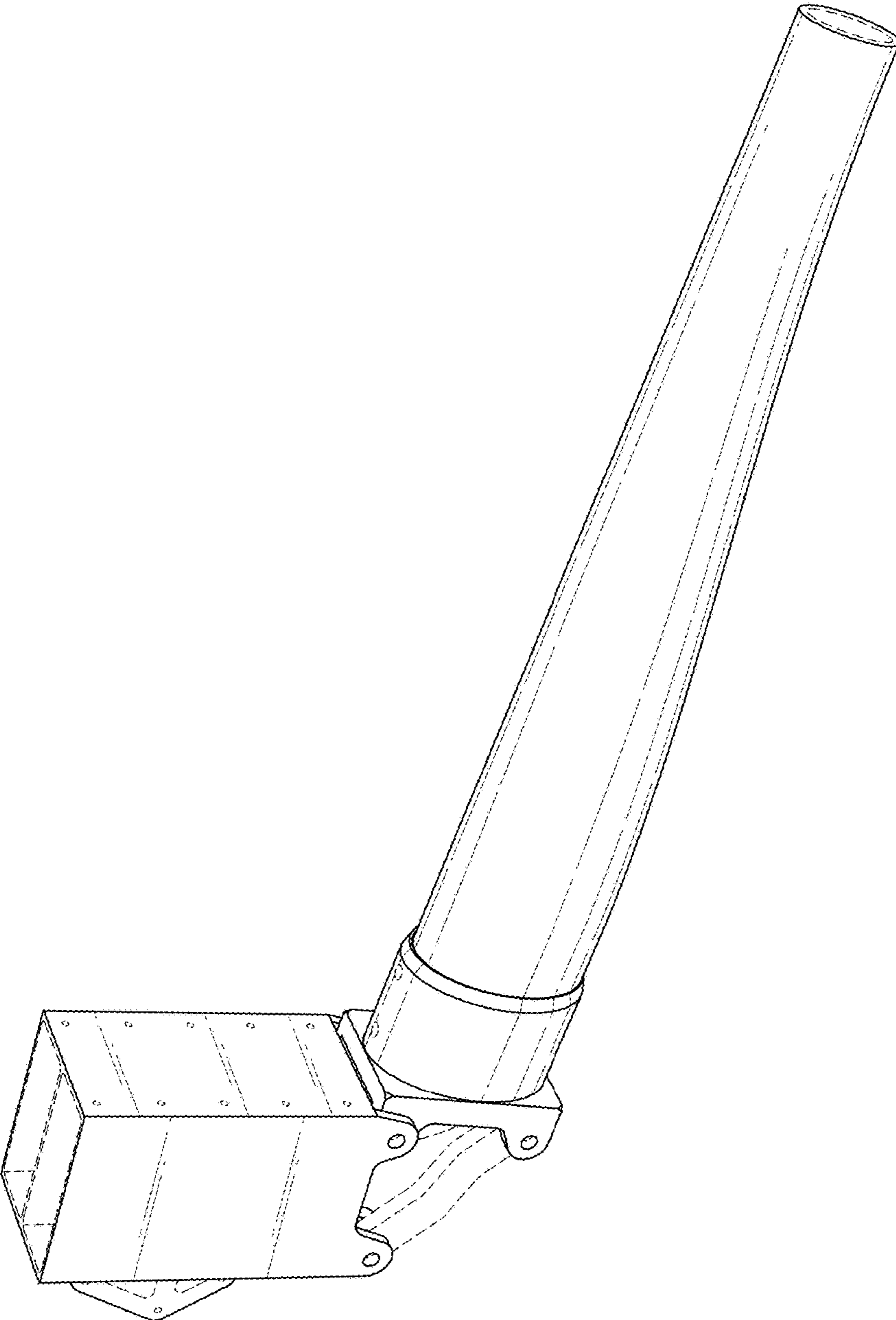


Fig. 7