



US00D807412S

(12) **United States Design Patent**
Lee et al.

(10) **Patent No.:** **US D807,412 S**
(45) **Date of Patent:** **** Jan. 9, 2018**

(54) **SHELF FOR REFRIGERATOR**

FOREIGN PATENT DOCUMENTS

(71) Applicant: **Samsung Electronics Co., Ltd.**,
Suwon-si (KR)

CN 023526289 10/2003
EM 002764852-0007 2/2015

(72) Inventors: **Seon-Ju Lee**, Seoul (KR); **Dajeong Kim**, Seoul (KR); **Choongeun Lee**, Seoul (KR); **Yeonjin Jo**, Suwon-si (KR)

OTHER PUBLICATIONS

(73) Assignee: **Samsung Electronics Co., Ltd.**,
Suwon-si (KR)

Zahnzinger, Matthew "Frigidire FFTR1814QW Refrigerator Review" [2015] www.refrigerators.reviewed.com Jun. 12, 2015 <<http://refrigerators.reviewed.com/content/frigidaire-fftr1814qw-refrigerator-review>>.

(**) Term: **15 Years**

Primary Examiner — Ian Simmons
Assistant Examiner — Khawaja Anwar

(21) Appl. No.: **29/592,898**

(74) *Attorney, Agent, or Firm* — NSIP Law

(22) Filed: **Feb. 3, 2017**

(30) **Foreign Application Priority Data**

Aug. 23, 2016 (KR) 30-2016-0041215

(51) **LOC (11) Cl.** **15-07**

(52) **U.S. Cl.**
USPC **D15/89**

(58) **Field of Classification Search**
USPC D15/79-91; D13/162, 171
CPC F25D 29/00; F25D 11/003; F25D 2700/08;
F25D 11/02; F25D 11/022; F25D 13/06;
F25D 19/006; F25D 2201/14; F25D
2323/00261; F25D 2323/00262; F25D
2323/00272; F25D 2400/361; F25D
2500/06; F25D 2700/02; F25D 2700/12;
F25D 29/005; F25D 29/008; F25D
31/002

See application file for complete search history.

(56) **References Cited**

U.S. PATENT DOCUMENTS

D366,261 S * 1/1996 Splane, Jr. D14/217
D429,233 S * 8/2000 Komiyama D14/167
D449,292 S * 10/2001 Miyazaki D14/217
D463,401 S * 9/2002 Miyazaki D14/217
D660,328 S * 5/2012 Doberstein D15/89

(Continued)

(57) **CLAIM**

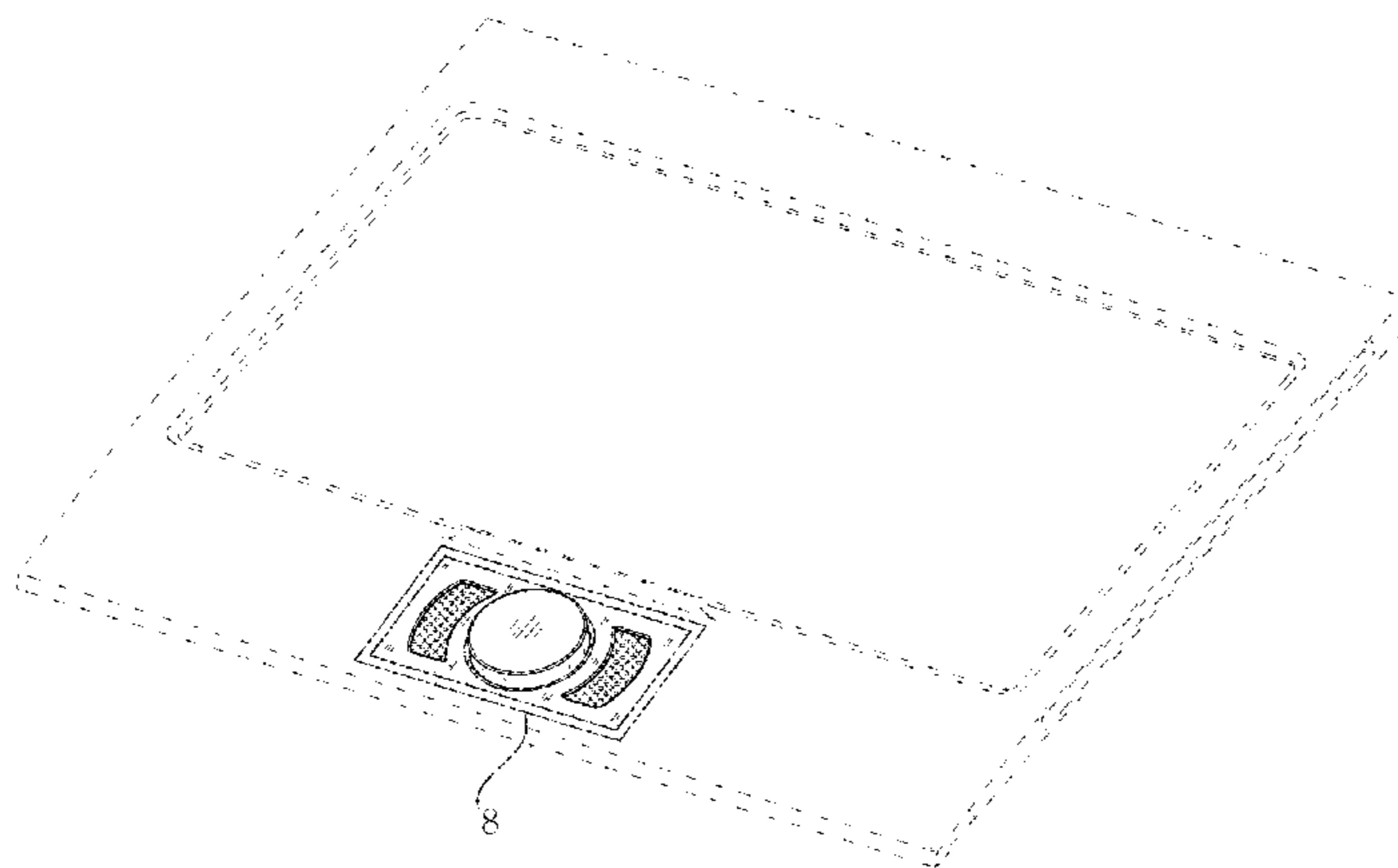
We claim the ornamental design for a shelf for refrigerator, as shown and described.

DESCRIPTION

FIG. 1 is a front perspective view of a shelf for refrigerator showing our new design;
FIG. 2 is a front view thereof;
FIG. 3 is a rear view thereof;
FIG. 4 is a left-side view thereof;
FIG. 5 is a right-side view thereof;
FIG. 6 is a top view thereof;
FIG. 7 is a bottom view thereof;
FIG. 8 is an enlarged view of the encircled portion in FIG. 1; and,
FIG. 9 is an enlarged view of the encircled portion in FIG. 2.

The broken lines in the figures depict environmental subject matter and form no part of the claimed design. The dot-dash broken lines in the figures represent a boundary of the claimed design and form no part of the claimed design. The dot-dot-dash broken lines encircling portions of the claimed design that are illustrated in enlargements form no part of the claimed design.

1 Claim, 7 Drawing Sheets



(56)

References Cited

U.S. PATENT DOCUMENTS

D702,194 S * 4/2014 Cho D13/162
D748,077 S * 1/2016 Ito D14/217
D784,429 S * 4/2017 Kim D15/89

* cited by examiner

FIG. 1

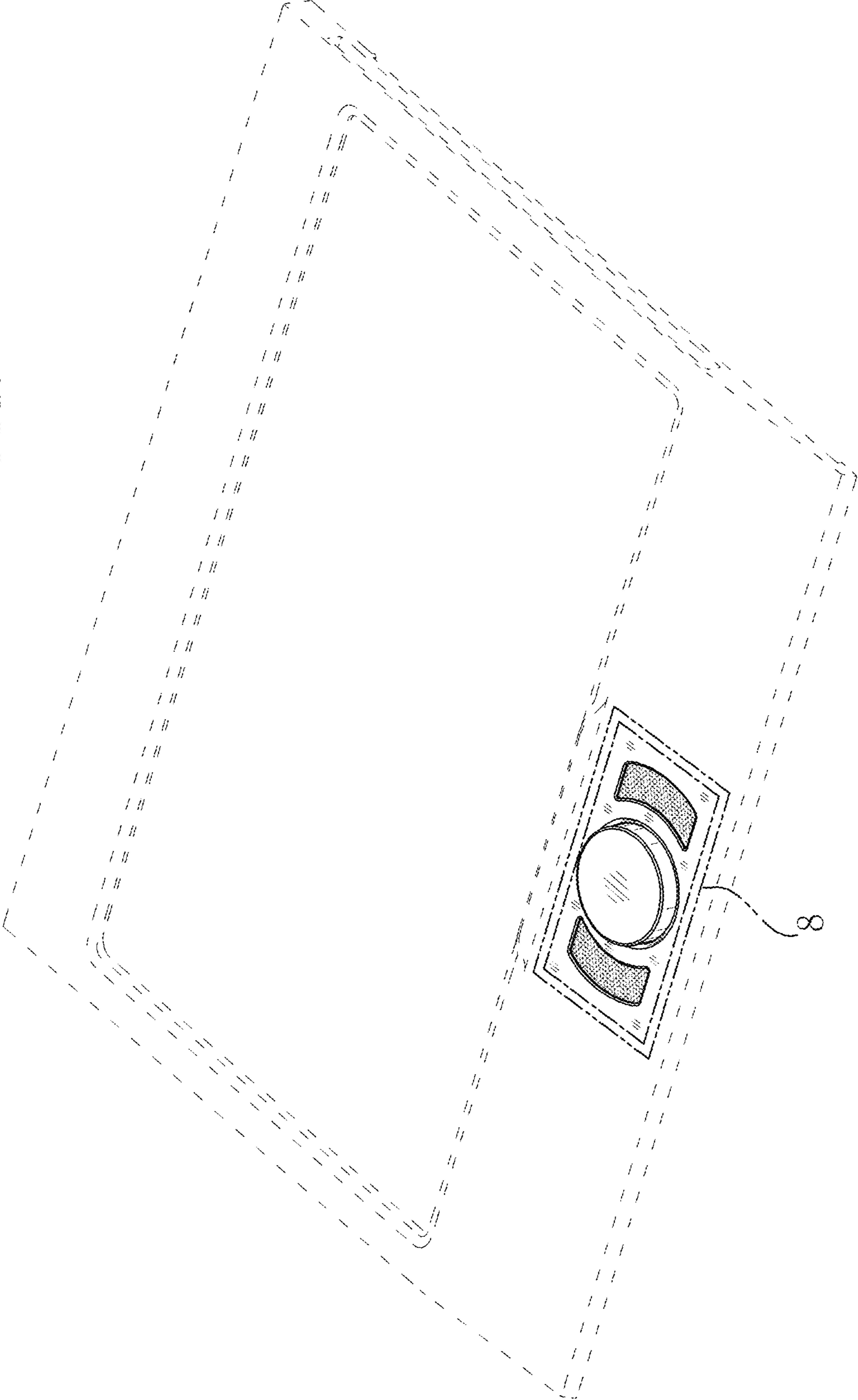


FIG. 2

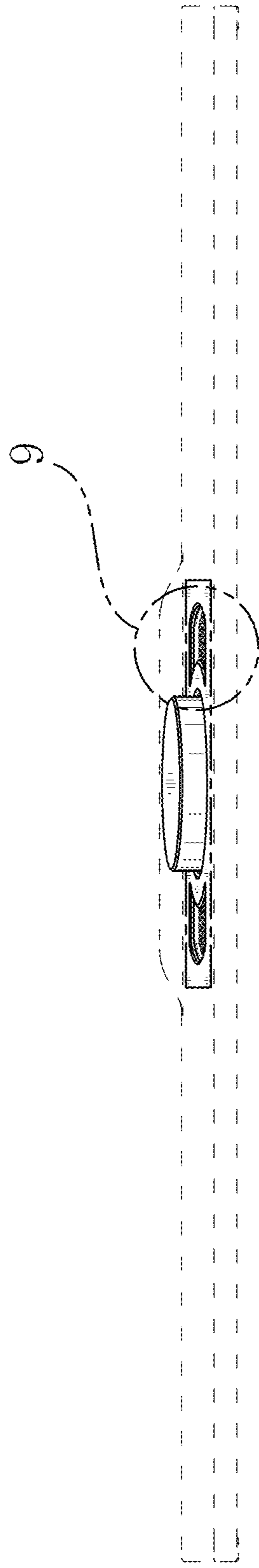


FIG. 3



FIG. 4



FIG. 5



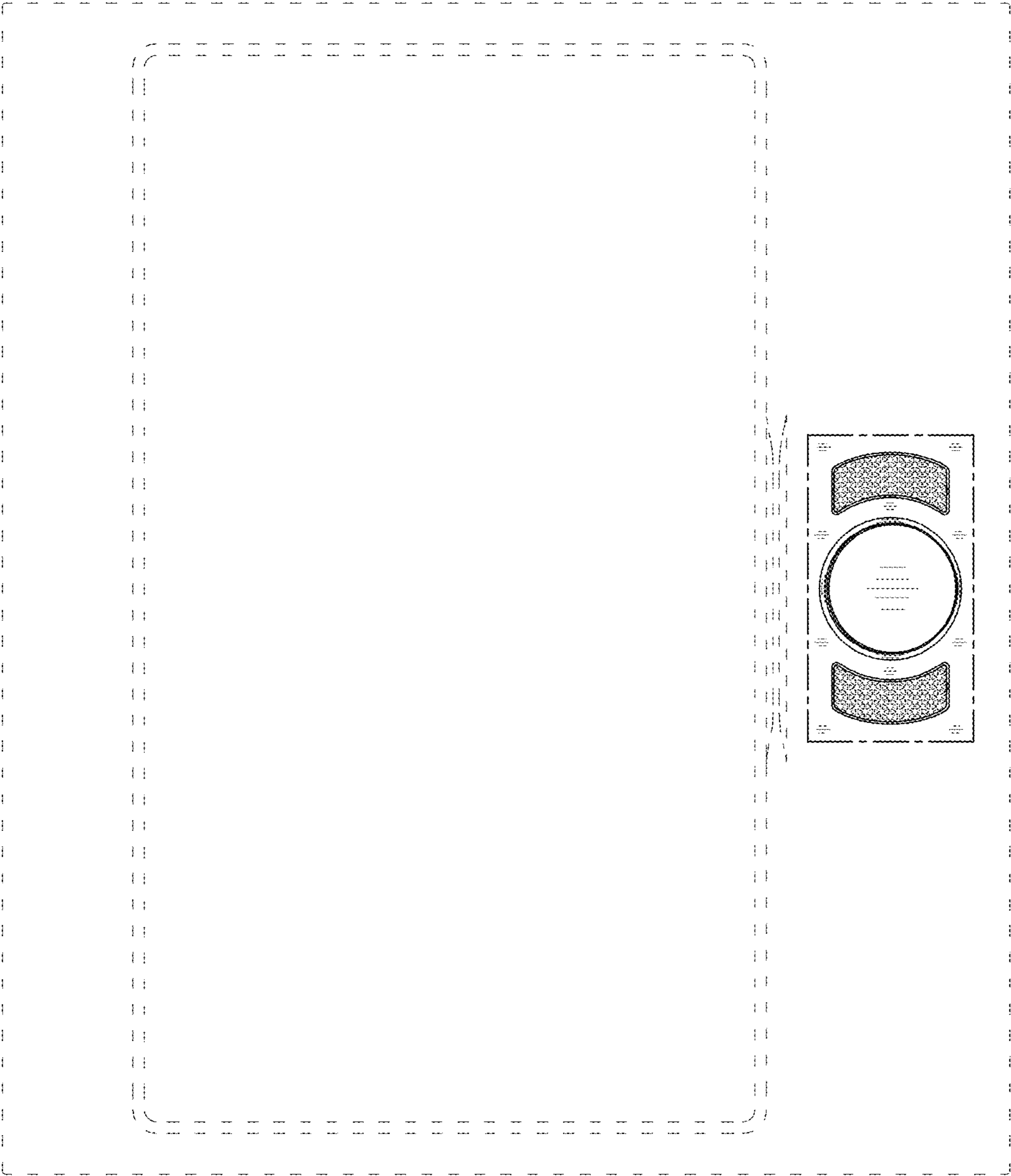


FIG. 6

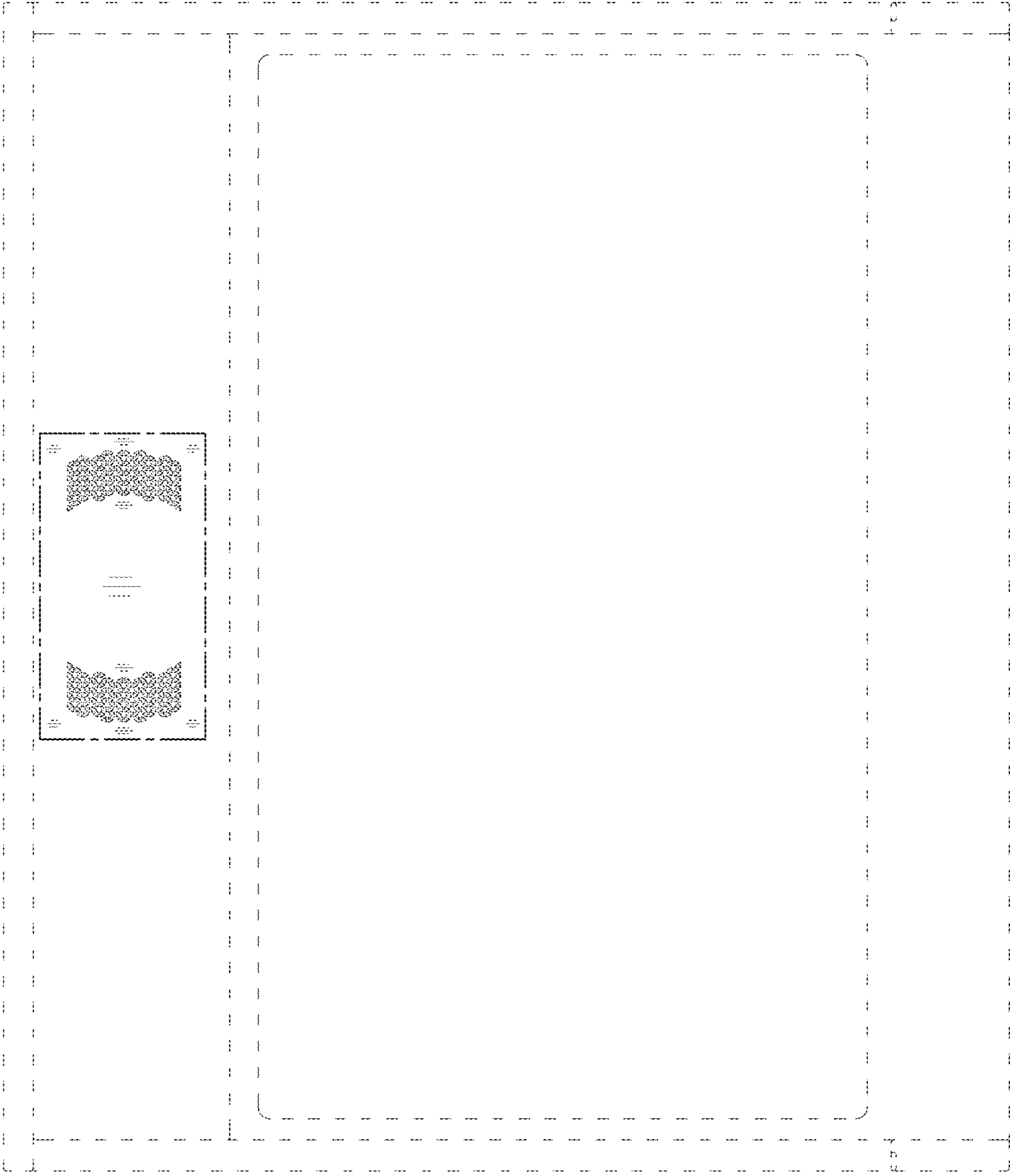
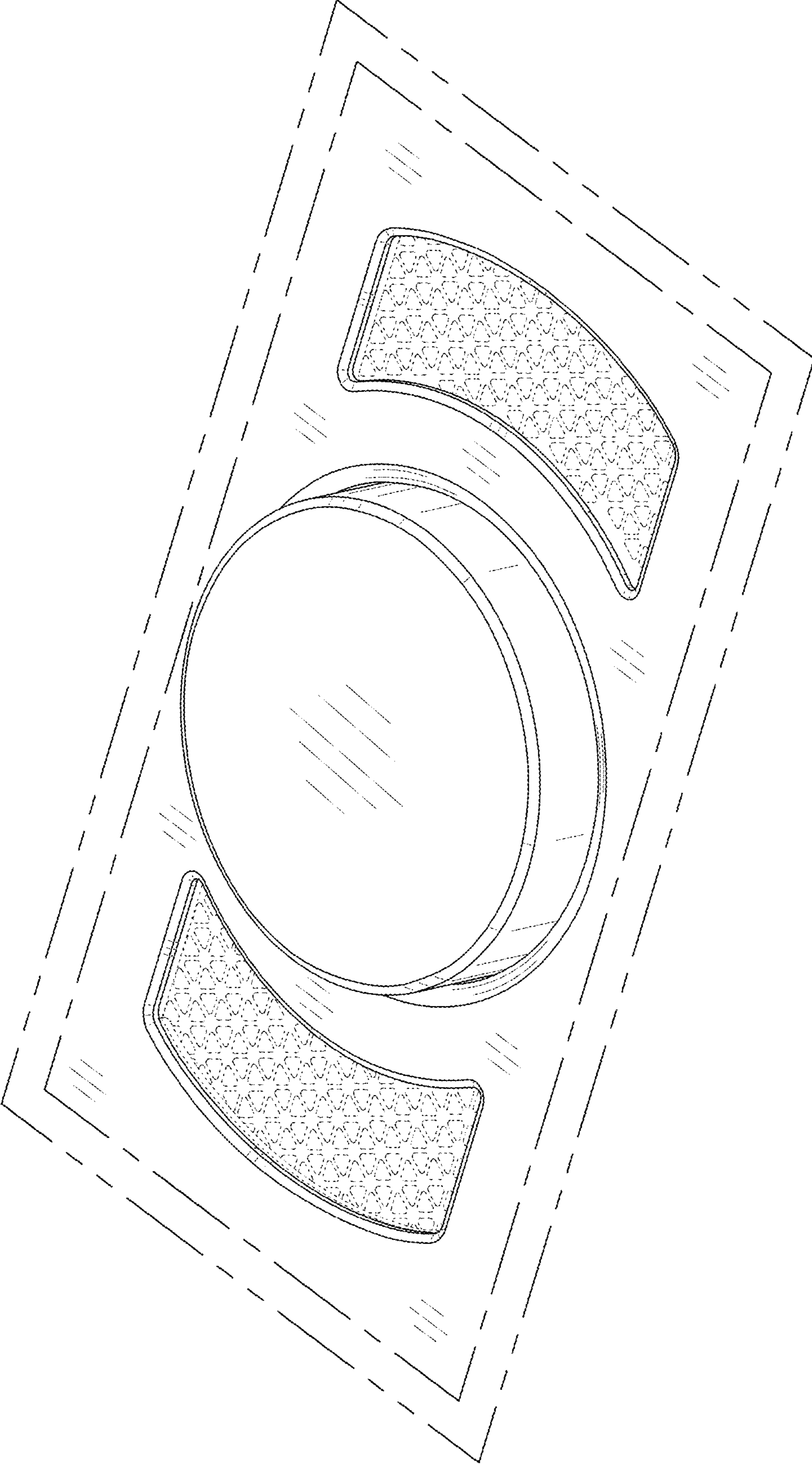


FIG. 7

FIG. 8



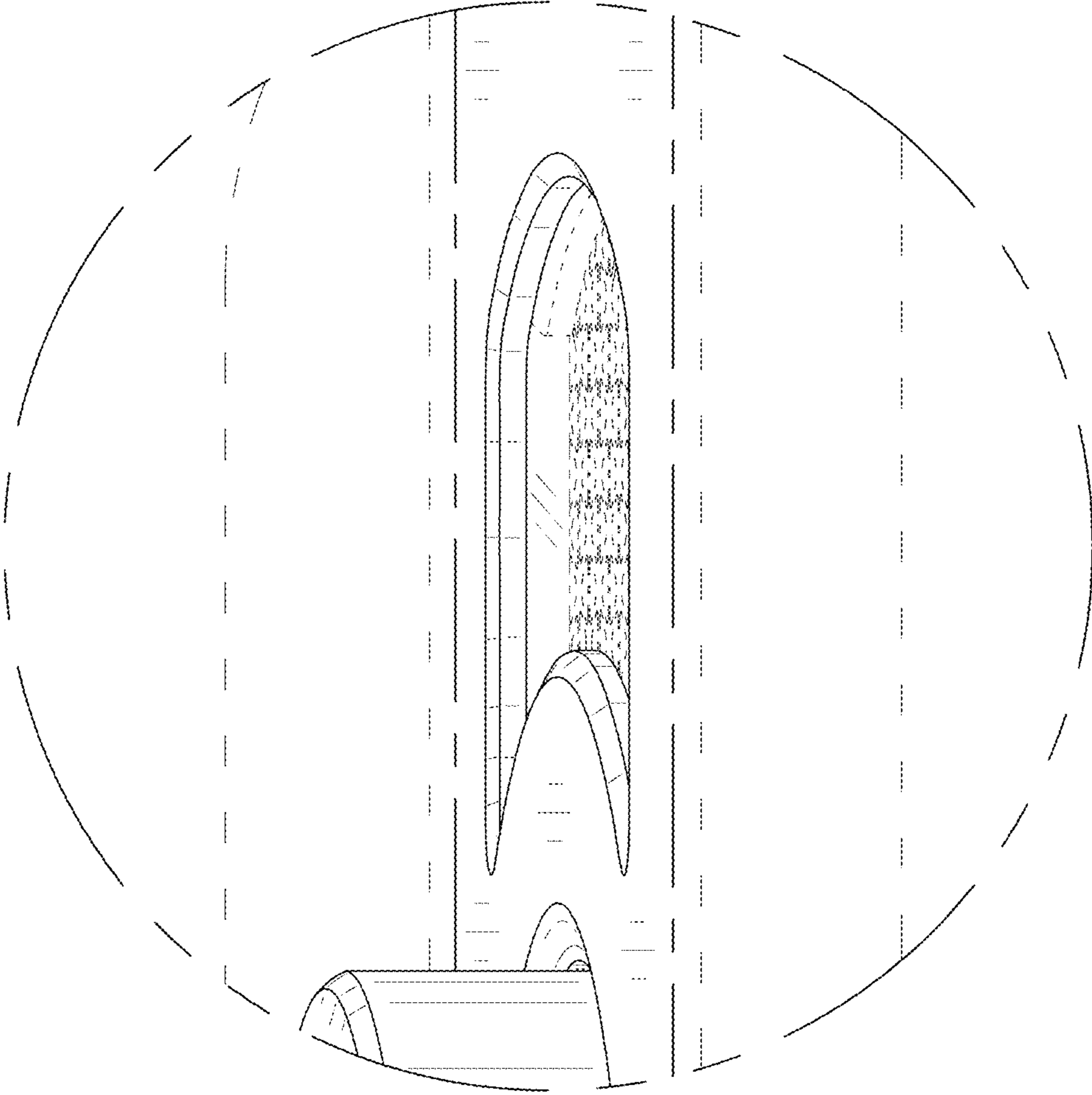


FIG. 9