



US00D807411S

(12) **United States Design Patent**  
**Lee et al.**

(10) **Patent No.:** **US D807,411 S**  
(45) **Date of Patent:** **\*\* Jan. 9, 2018**

(54) **REFRIGERATOR**

D742,434 S \* 11/2015 Yeo ..... D15/86  
D756,425 S \* 5/2016 Seo ..... D15/89  
D757,128 S \* 5/2016 Seo ..... D15/89

(71) Applicant: **SAMSUNG ELECTRONICS CO., LTD.**, Suwon-si, Gyeonggi-do (KR)

(Continued)

(72) Inventors: **Honguk Lee**, Seongnam-si (KR);  
**Youngmin Park**, Seoul (KR); **Sunmin Lee**, Seoul (KR)

**FOREIGN PATENT DOCUMENTS**

EM 001706045-0001 10/2010  
KR 30-0432559 S 11/2006  
KR 30-0469000 S 11/2007

(73) Assignee: **SAMSUNG ELECTRONICS CO., LTD.**, Gyeonggi-Do (KR)

*Primary Examiner* — Ian Simmons

*Assistant Examiner* — Khawaja Anwar

(\*\*) Term: **15 Years**

(74) *Attorney, Agent, or Firm* — Cantor Colburn LLP

(21) Appl. No.: **29/582,382**

(57) **CLAIM**

(22) Filed: **Oct. 27, 2016**

The ornamental design for a refrigerator, as shown and described.

(30) **Foreign Application Priority Data**

**DESCRIPTION**

May 4, 2016 (KR) ..... 30-2016-0021447

(51) **LOC (11) Cl.** ..... **15-07**

(52) **U.S. Cl.**  
USPC ..... **D15/89**

(58) **Field of Classification Search**  
USPC ..... D15/79-91  
CPC .... F25D 29/00; F25D 11/003; F25D 2700/08;  
F25D 11/02; F25D 11/022; F25D 13/06;  
F25D 19/006; F25D 2201/14; F25D  
2323/00261; F25D 2323/00262; F25D  
2323/00272; F25D 2400/361; F25D  
2500/06; F25D 2700/02; F25D 2700/12;  
F25D 29/005; F25D 29/008; F25D  
31/002

See application file for complete search history.

FIG. 1 is a front perspective view of a refrigerator showing our new design;  
FIG. 2 is a front view thereof;  
FIG. 3 is a rear view thereof;  
FIG. 4 is a left-side view thereof;  
FIG. 5 is a right-side view thereof;  
FIG. 6 is a top view thereof;  
FIG. 7 is a bottom view thereof;  
FIG. 8 is a bottom perspective view thereof;  
FIG. 9 is an enlarged cross-sectional view taken through line 9-9 of FIG. 2;  
FIG. 10 is an enlarged cross-sectional view taken through line 10-10 of FIG. 2;  
FIG. 11 is an enlarged view of the dispenser portion in FIG. 1; and,  
FIG. 12 is an enlarged view of the dispenser portion in FIG. 8.

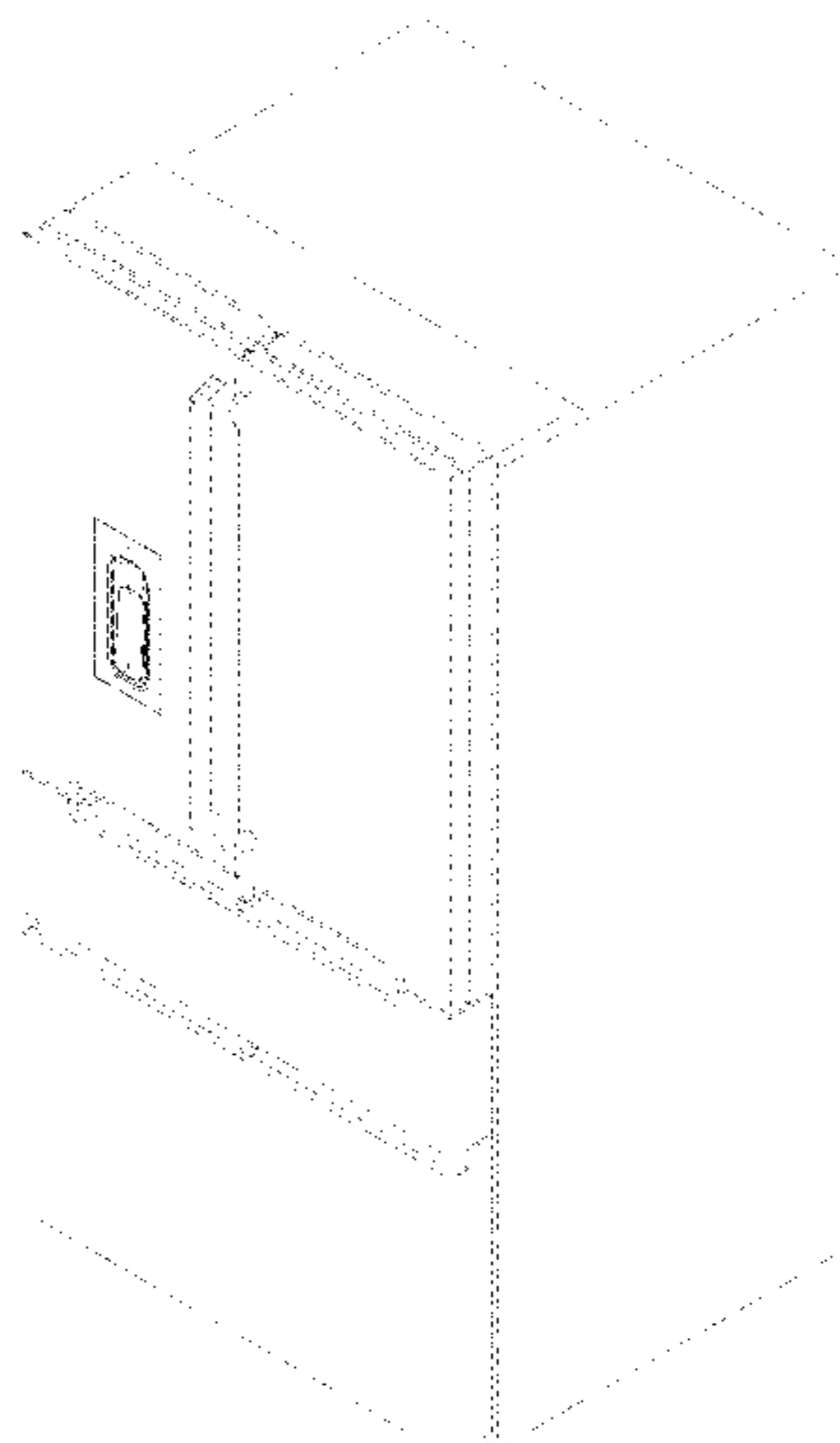
(56) **References Cited**

**U.S. PATENT DOCUMENTS**

D367,659 S \* 3/1996 Baker ..... D15/89  
D569,399 S \* 5/2008 Crookshanks ..... D15/89  
D710,403 S \* 8/2014 Seo ..... D15/89  
D735,252 S \* 7/2015 Lee ..... D15/89  
D735,782 S \* 8/2015 Hwang ..... D15/86

The broken lines depict portions of a refrigerator that form no part of the claimed design.  
The dot dash lines in the figures represent an unclaimed boundary line and form no part of the claimed design.

**1 Claim, 11 Drawing Sheets**



(56)

**References Cited**

U.S. PATENT DOCUMENTS

D761,888 S	*	7/2016	Seo	.....	D15/89
D762,251 S	*	7/2016	Seo	.....	D15/89
D771,159 S	*	11/2016	Jeon	.....	D15/89
D794,092 S	*	8/2017	Lee	.....	D15/89

\* cited by examiner

FIG. 1

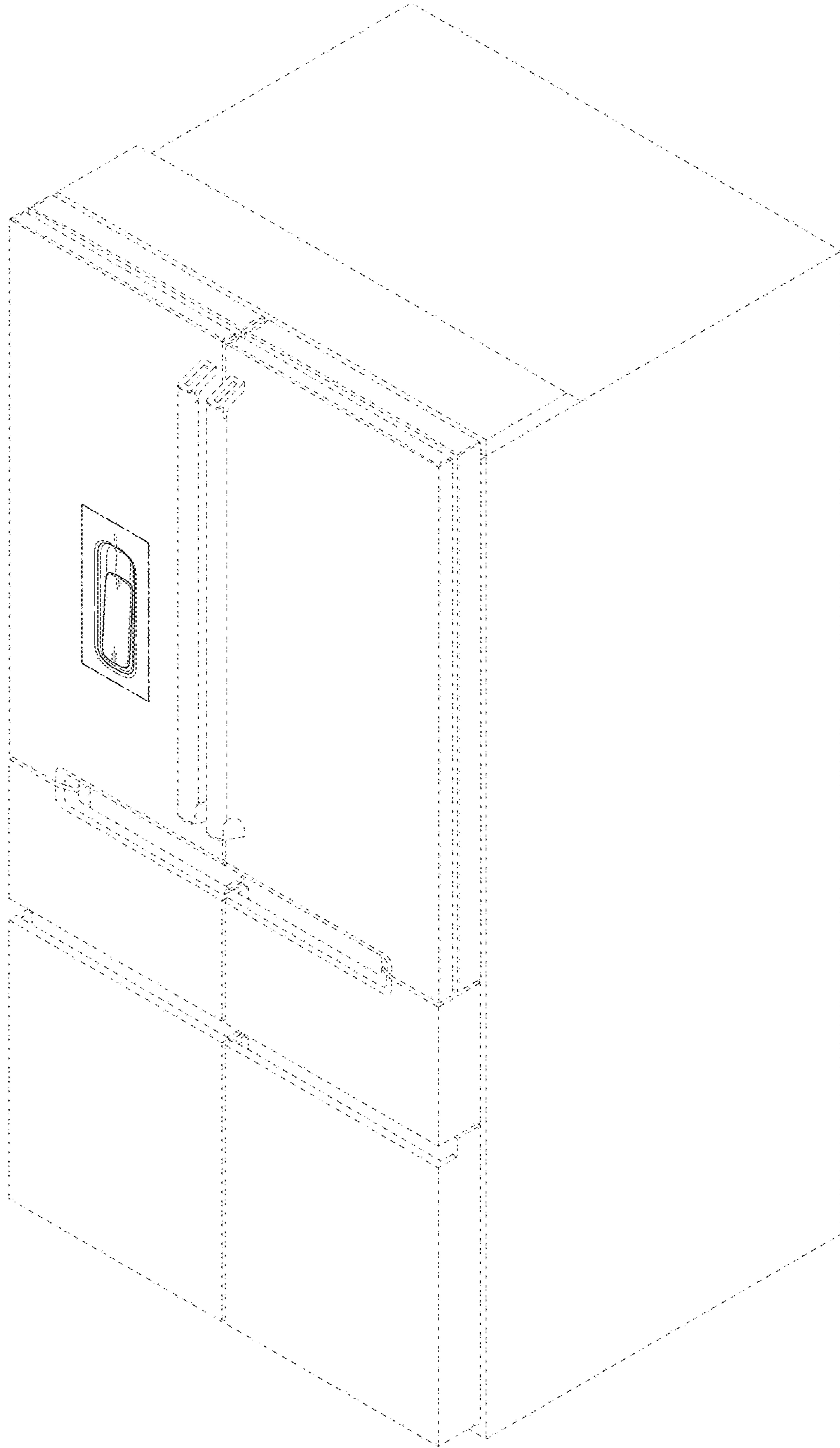


FIG. 2

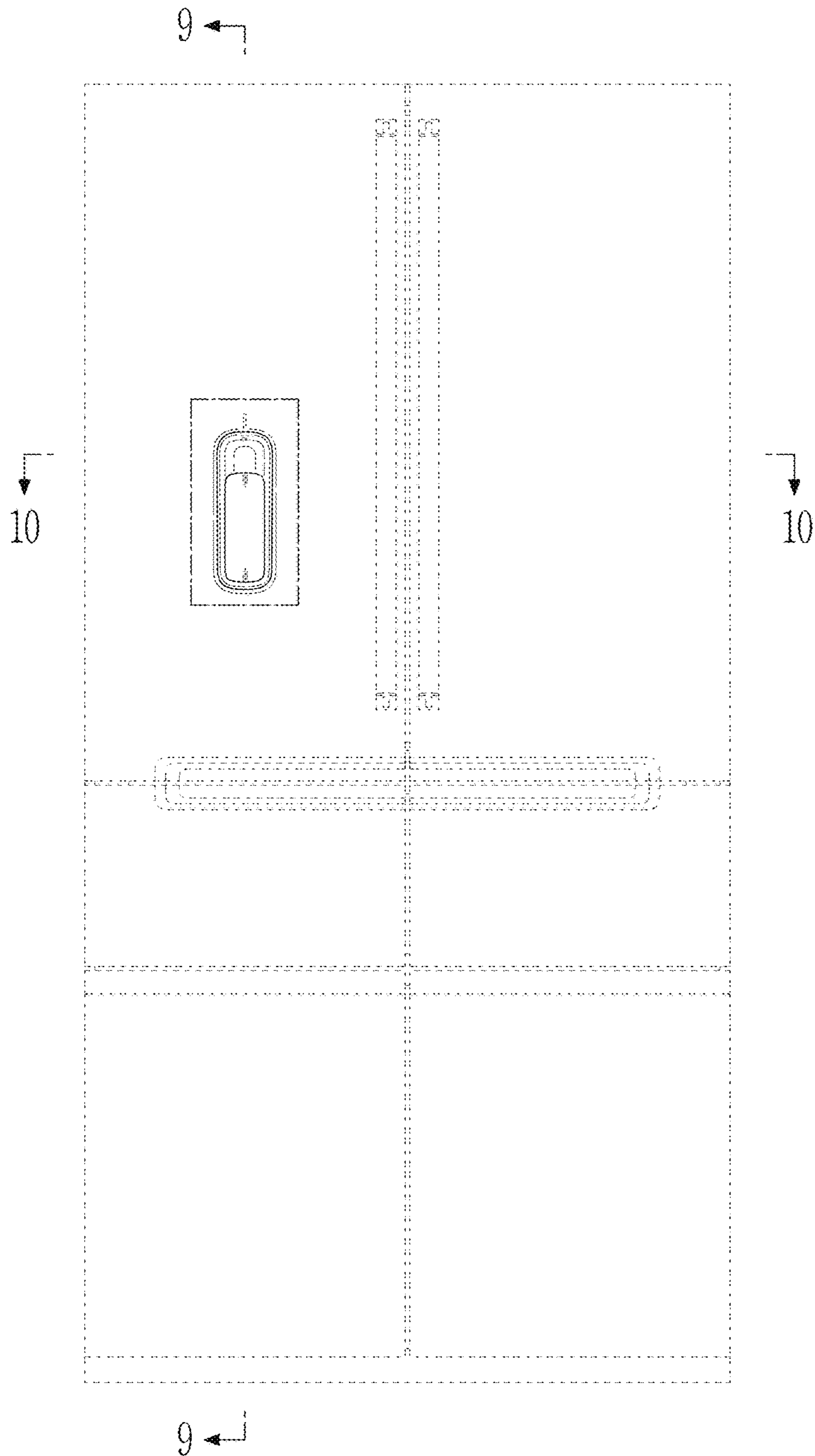


FIG. 3



FIG. 4

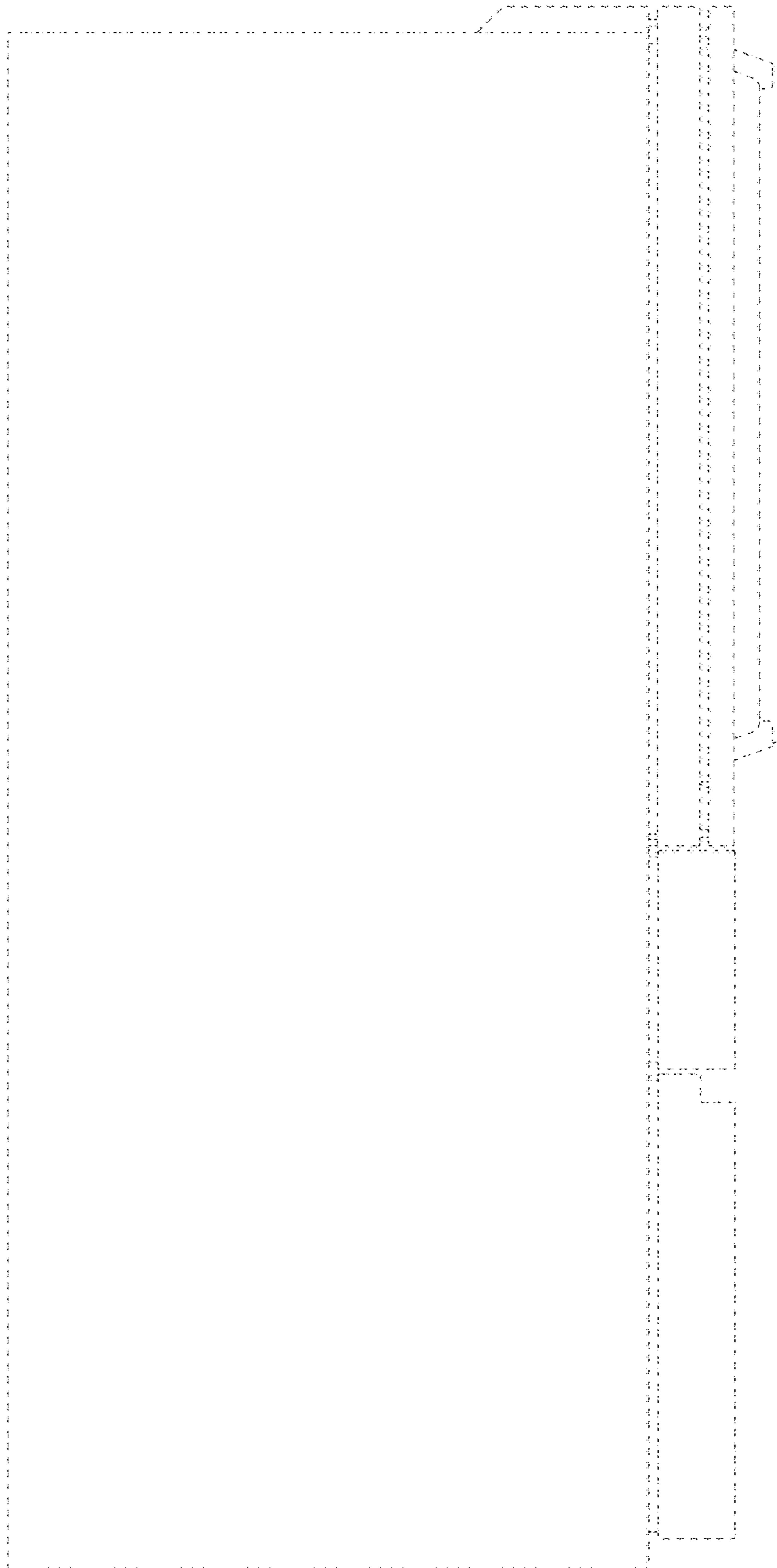


FIG. 5

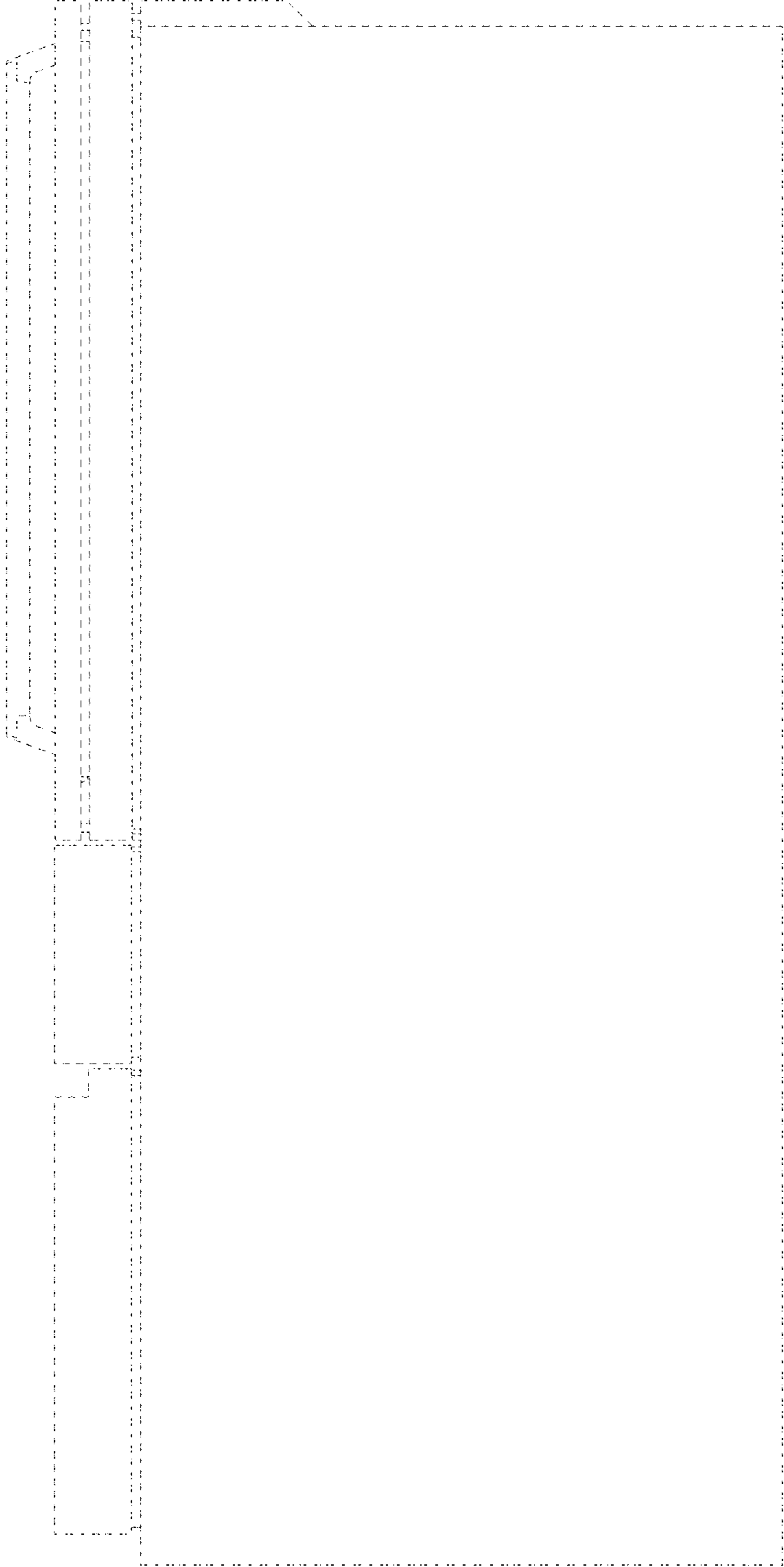


FIG. 6

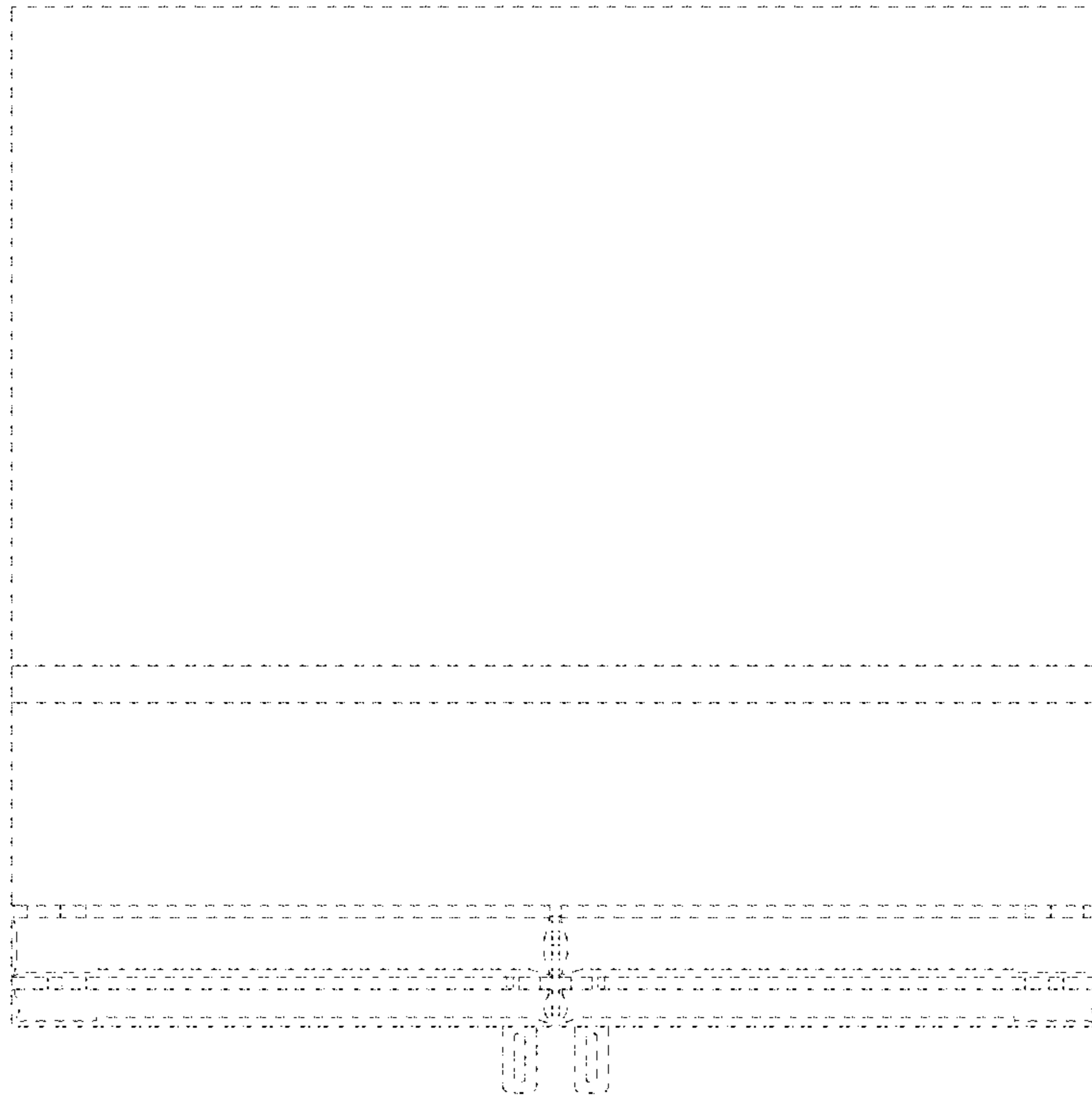




FIG. 7

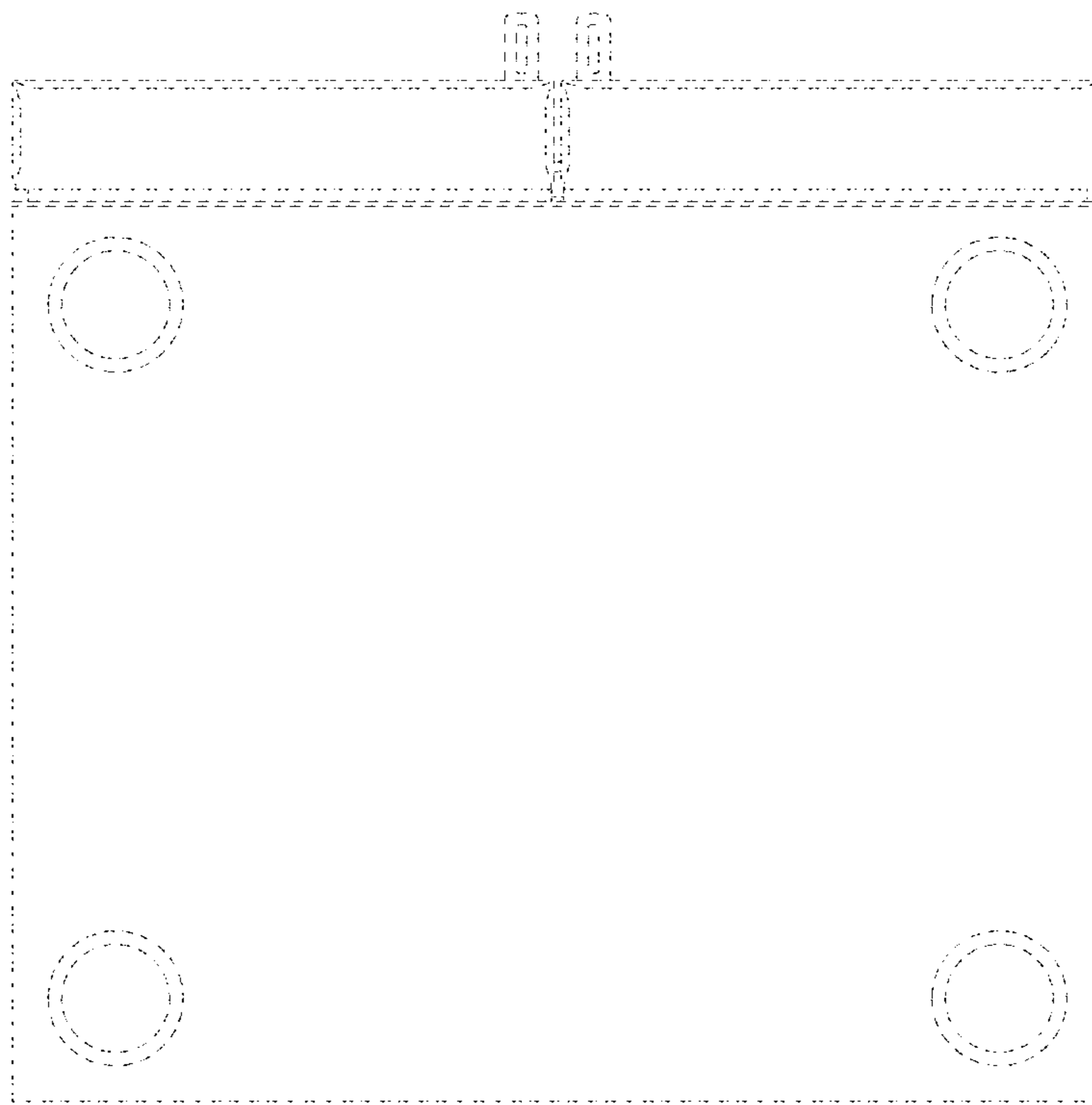


FIG. 8

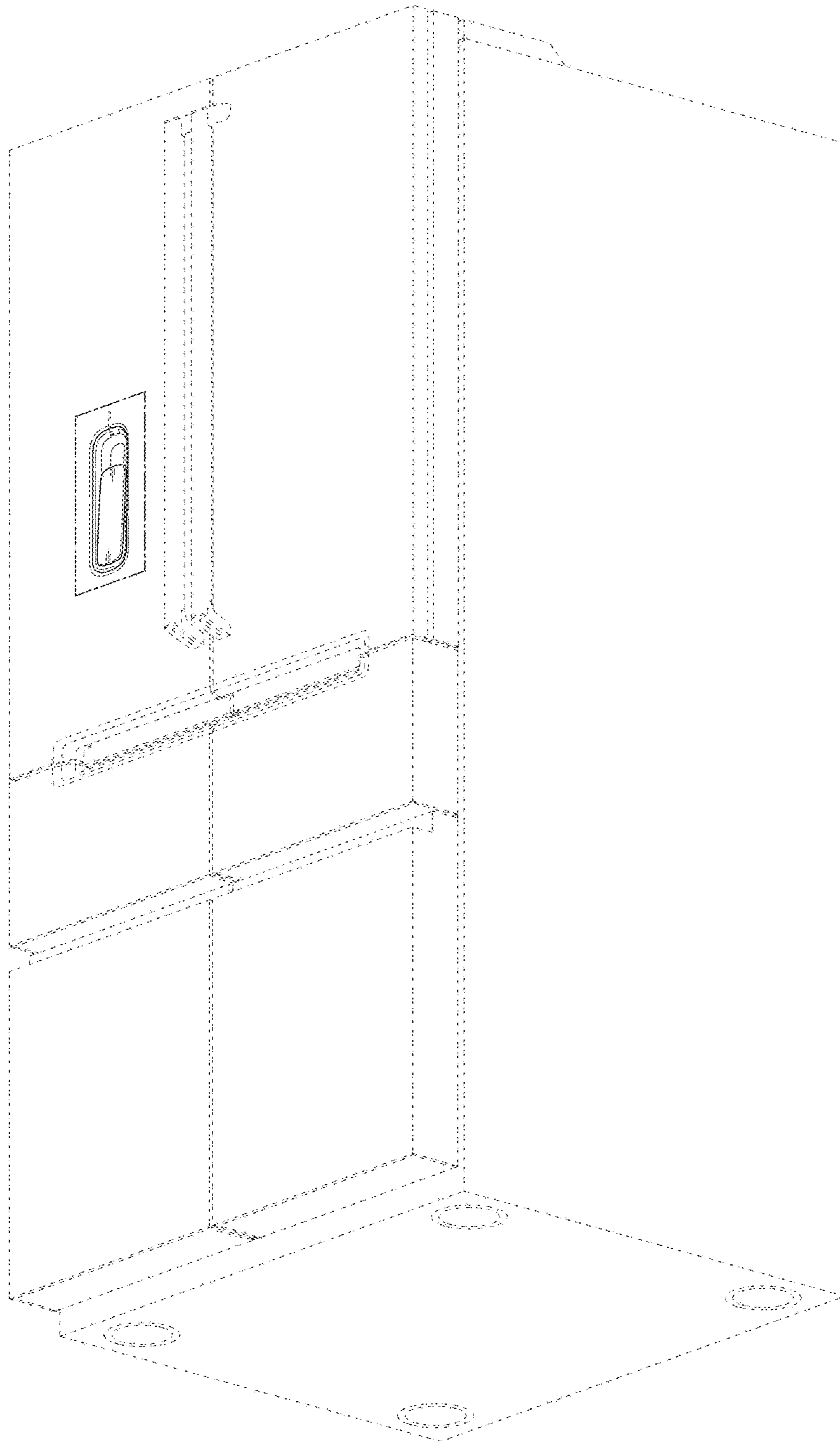


FIG. 9

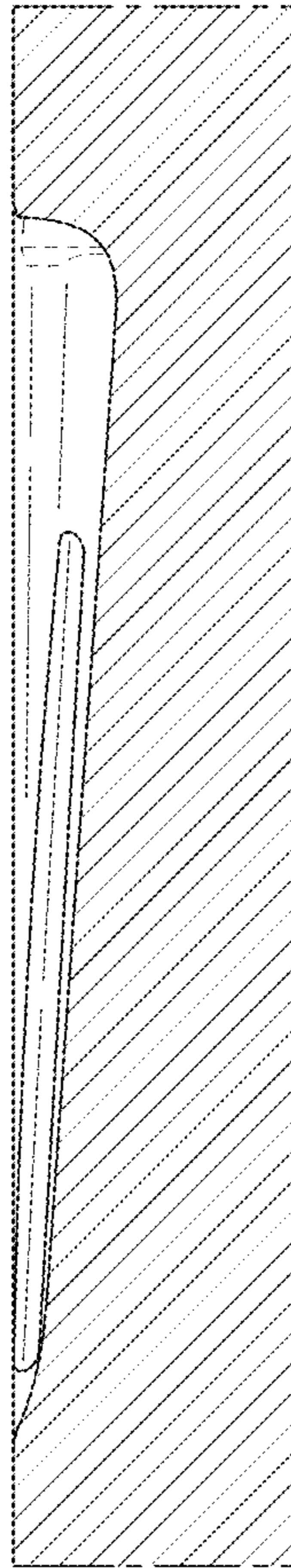


FIG. 10

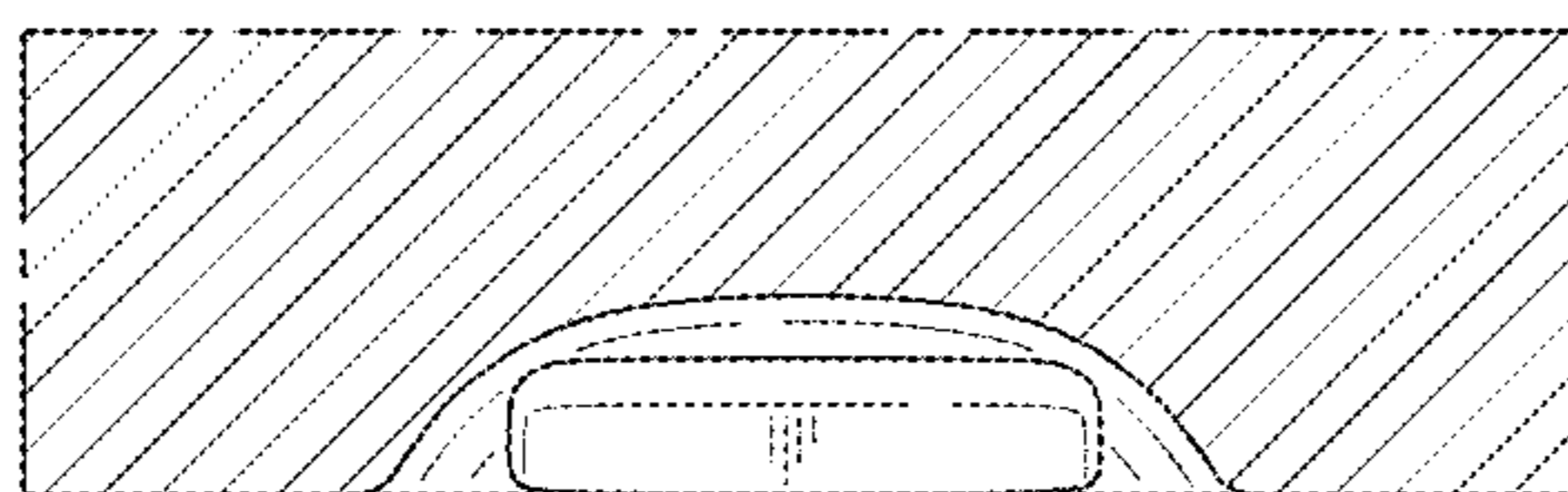


FIG. 11

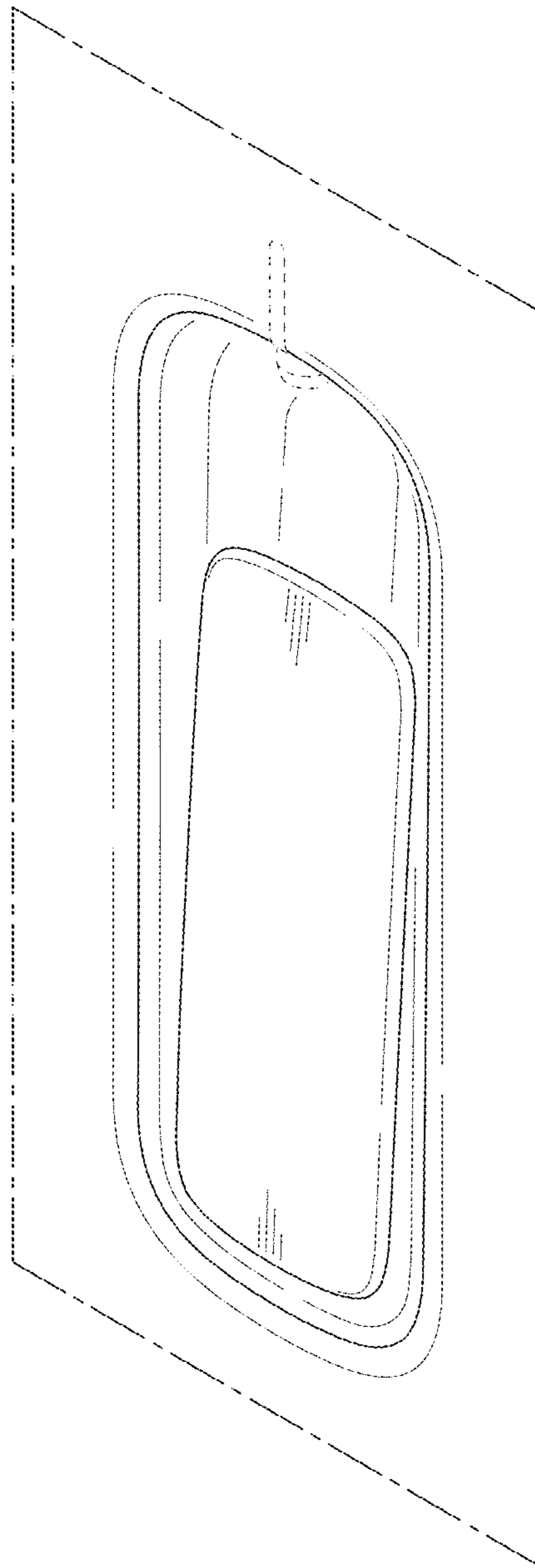


FIG. 12

