



US00D807410S

(12) **United States Design Patent** (10) **Patent No.:** **US D807,410 S**
Cho et al. (45) **Date of Patent:** **** Jan. 9, 2018**

(54) **REFRIGERATOR**

F25D 29/00; F25D 25/02; F25D 25/024;
F25D 27/005; F25D 23/12; F25D 29/005

See application file for complete search history.

(71) Applicant: **LG ELECTRONICS INC.**, Seoul
(KR)

(56) **References Cited**

(72) Inventors: **Sunil Cho**, Seoul (KR); **Kyutae Park**,
Seoul (KR); **Hyok Ku Kwon**, Seoul
(KR)

U.S. PATENT DOCUMENTS

(73) Assignee: **LG ELECTRONICS INC.**, Seoul
(KR)

D629,021	S	*	12/2010	Cho	D15/85
D658,213	S	*	4/2012	Seo	D15/86
D672,375	S	*	12/2012	Lee	D15/86
D674,417	S	*	1/2013	Seo	D15/86
D674,418	S	*	1/2013	Seo	D15/86
D676,467	S	*	2/2013	Kim	D15/86
D678,922	S	*	3/2013	Lee	D15/86
D680,138	S	*	4/2013	Seo	D15/86
D681,695	S	*	5/2013	Lee	D15/86
D684,609	S	*	6/2013	Seo	D15/86
D686,644	S	*	7/2013	Lee	D15/86
D692,033	S	*	10/2013	Choi	D15/86
D698,832	S	*	2/2014	Lee	D15/89
D700,222	S	*	2/2014	Sin	D15/89
D713,864	S	*	9/2014	Kim	D15/89

(**) Term: **15 Years**

(21) Appl. No.: **35/500,939**

(22) Filed: **Nov. 13, 2015**

(Continued)

(80) **Hague Agreement Data**

Int. Filing Date: **Nov. 13, 2015**

Int. Reg. No.: **DM/089484**

Int. Reg. Date: **Nov. 13, 2015**

Int. Reg. Pub. Date: **May 13, 2016**

Primary Examiner — Richard E Chilcot

(74) *Attorney, Agent, or Firm* — Birch, Stewart, Kolasch
& Birch, LLP

(57) **CLAIM**

The ornamental design for a refrigerator, as shown and described.

(30) **Foreign Application Priority Data**

Jun. 25, 2015 (KR) 30-2015-0032160

(51) **LOC (11) Cl.** **15-07**

(52) **U.S. Cl.**

USPC **D15/86**

CPC **F25D 23/028** (2013.01)

(58) **Field of Classification Search**

USPC D15/79–91

CPC F25D 23/028; F25D 23/02; F25D 25/025;

F25D 23/00; F25D 2323/021; F25D

11/00; F25D 2323/024; F25D 23/04;

DESCRIPTION

1.1 is a top, front, left perspective view of the refrigerator showing our new design;

1.2 is a front view thereof;

1.3 is a rear view thereof;

1.4 is a left side view thereof;

1.5 is a right side view thereof;

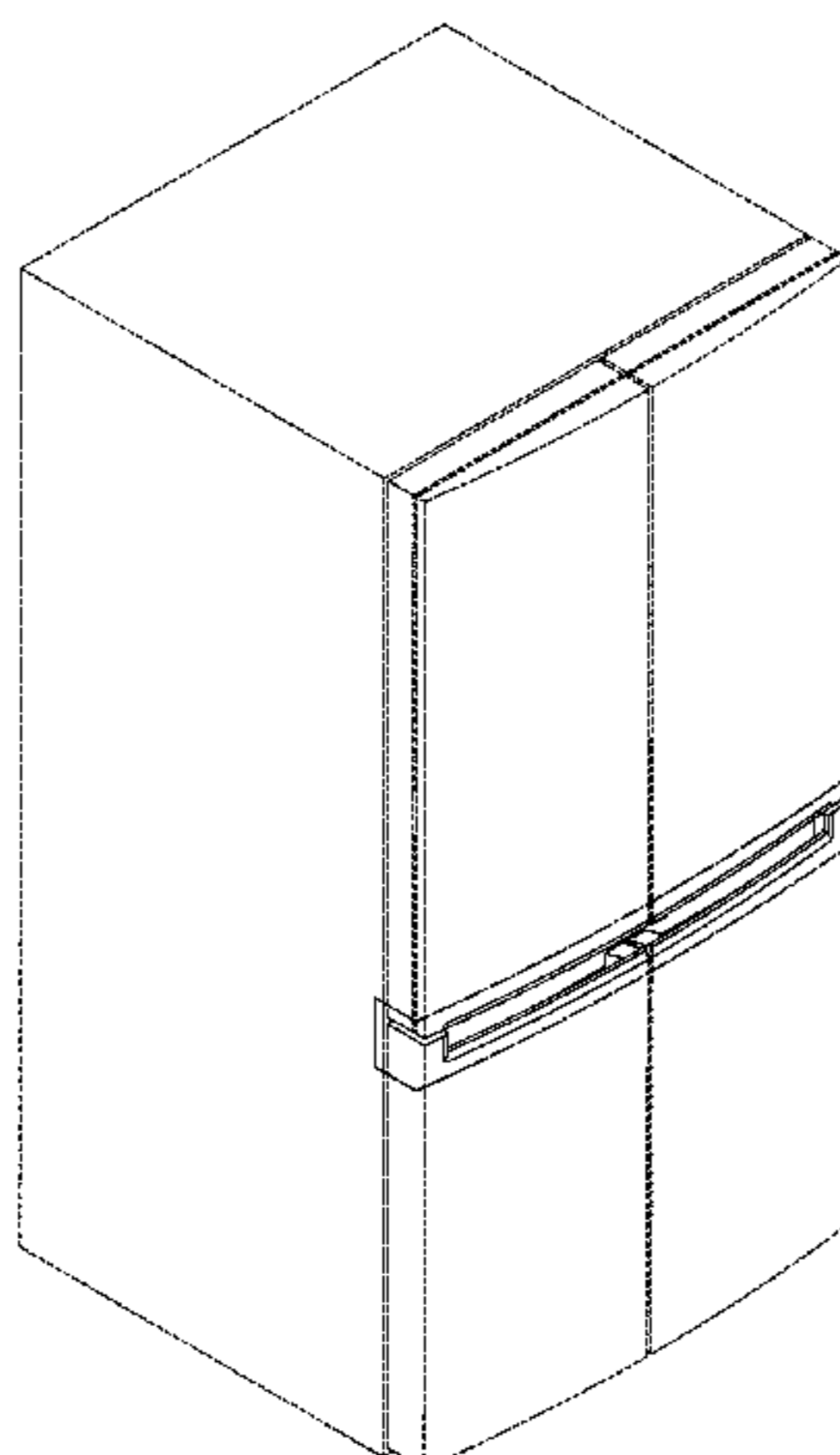
1.6 is a top plan view thereof;

1.7 is a bottom view thereof;

1.8 is a bottom, front, left perspective view thereof;

1.9 is an exploded view of a cross-section viewed from the left side through a portion rightward of a vertical centerline of **1.2**; and

(Continued)



1.10 is an exploded view of a cross-section viewed from the left side through a portion further rightward of the vertical centerline of **1.2**.

The broken line showing the refrigerator is included for the purpose of illustrating environment and forms no part of the claimed design.

1 Claim, 10 Drawing Sheets

(56)

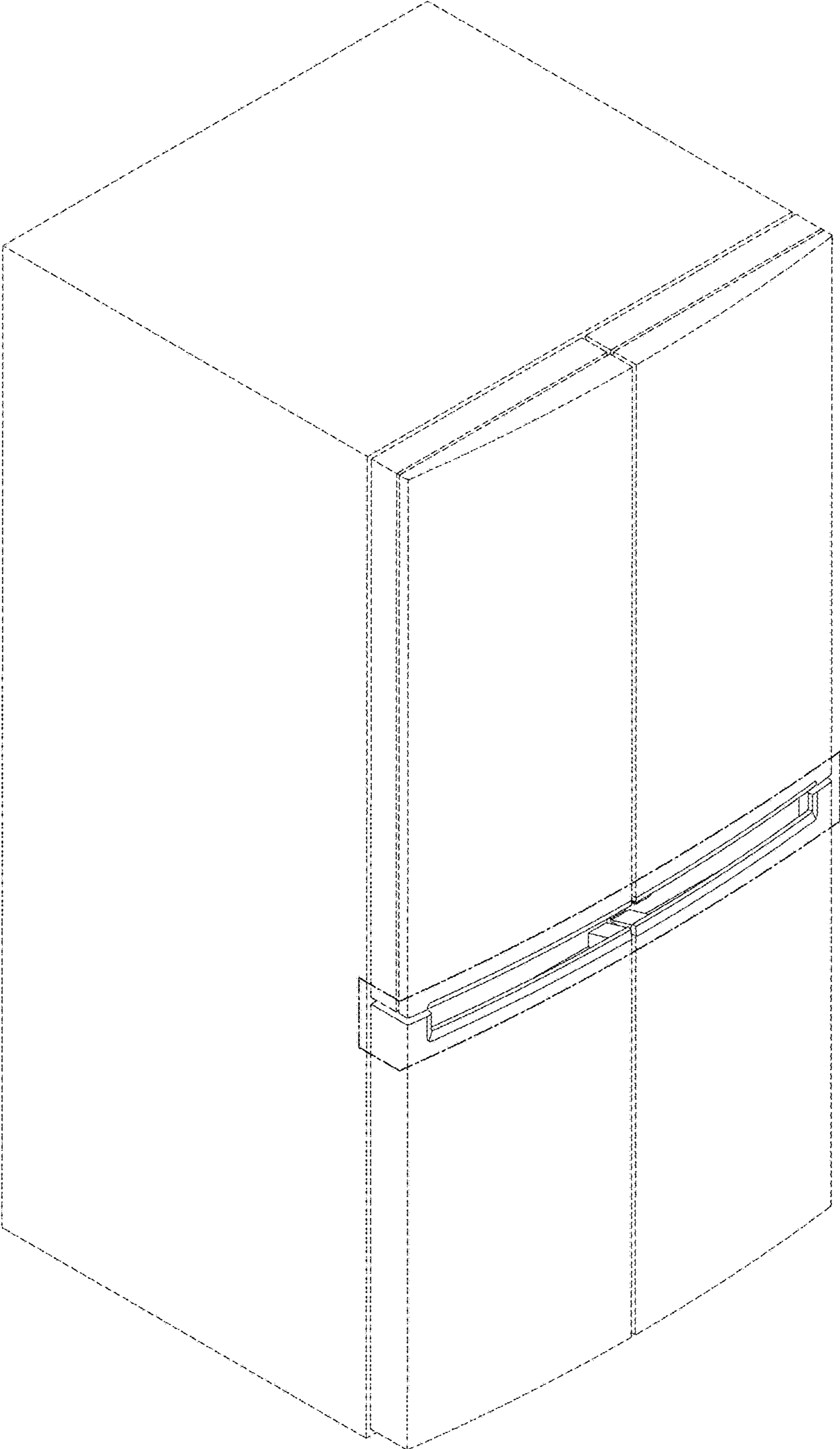
References Cited

U.S. PATENT DOCUMENTS

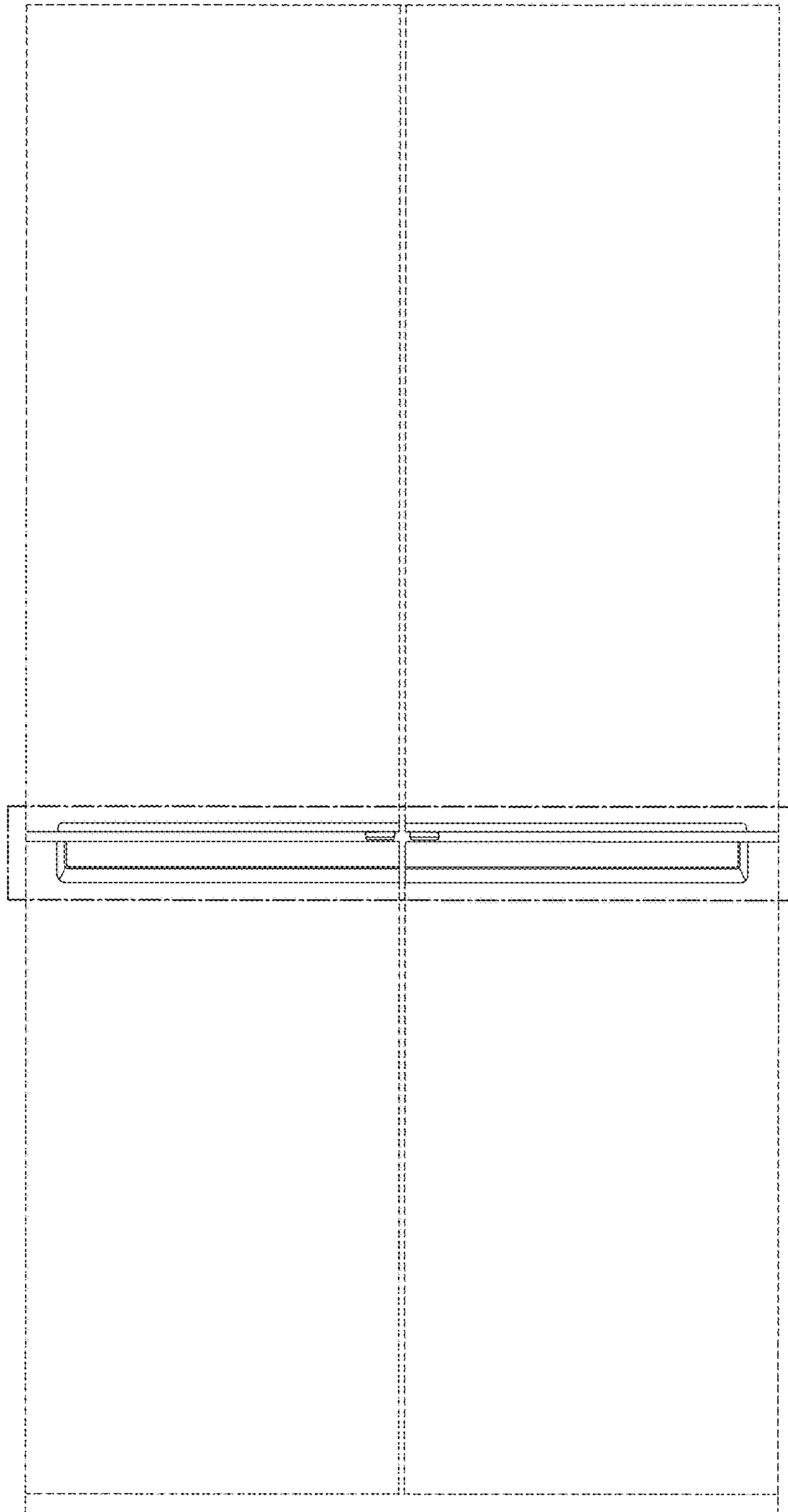
D729,284 S *	5/2015	Kwak	D15/85
D729,854 S *	5/2015	Hwang	D15/89
D754,761 S *	4/2016	Hwang	D15/89
D768,735 S *	10/2016	Choi	D15/89
D768,736 S *	10/2016	Choi	D15/89

* cited by examiner

1.1



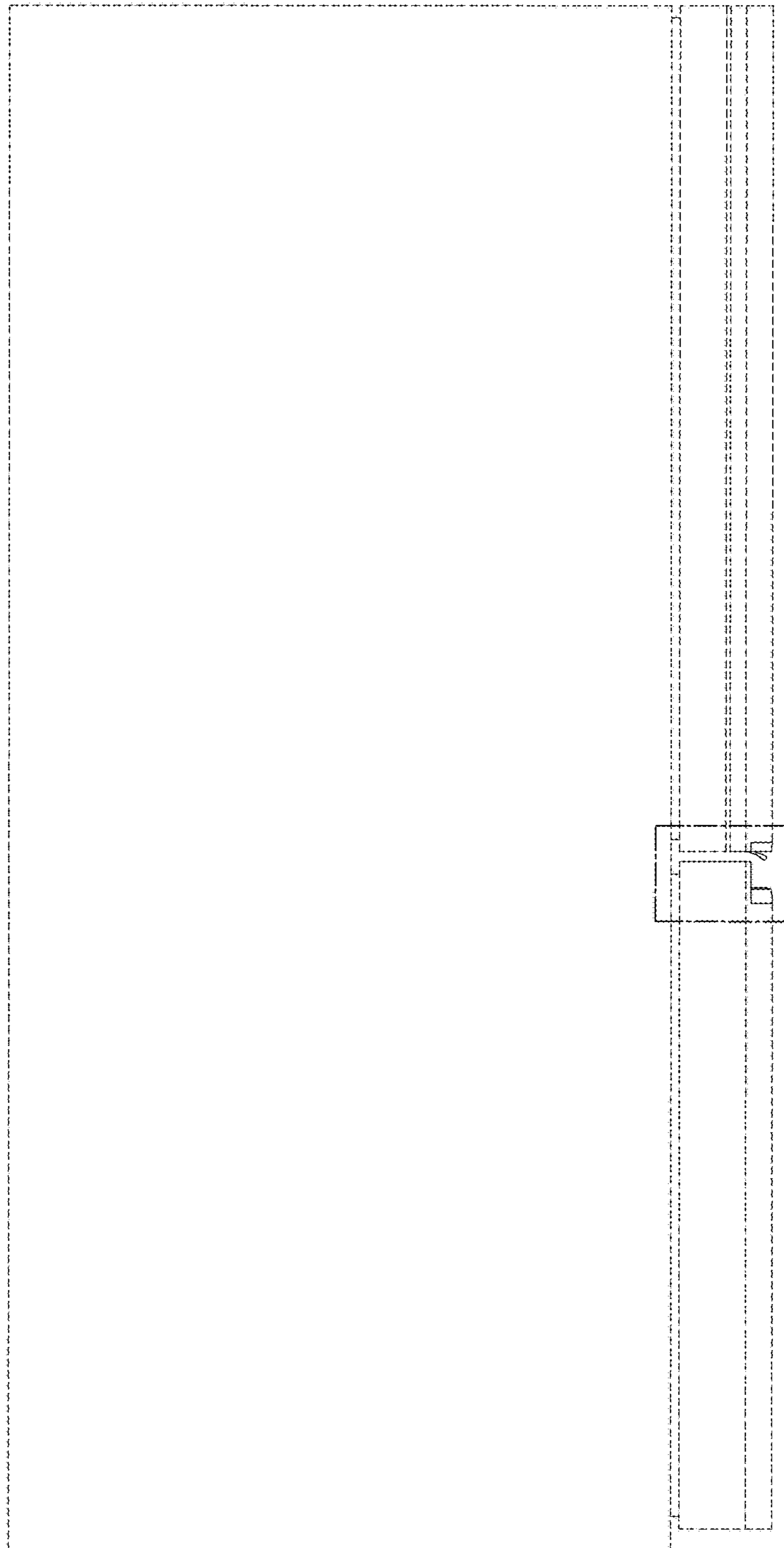
1.2



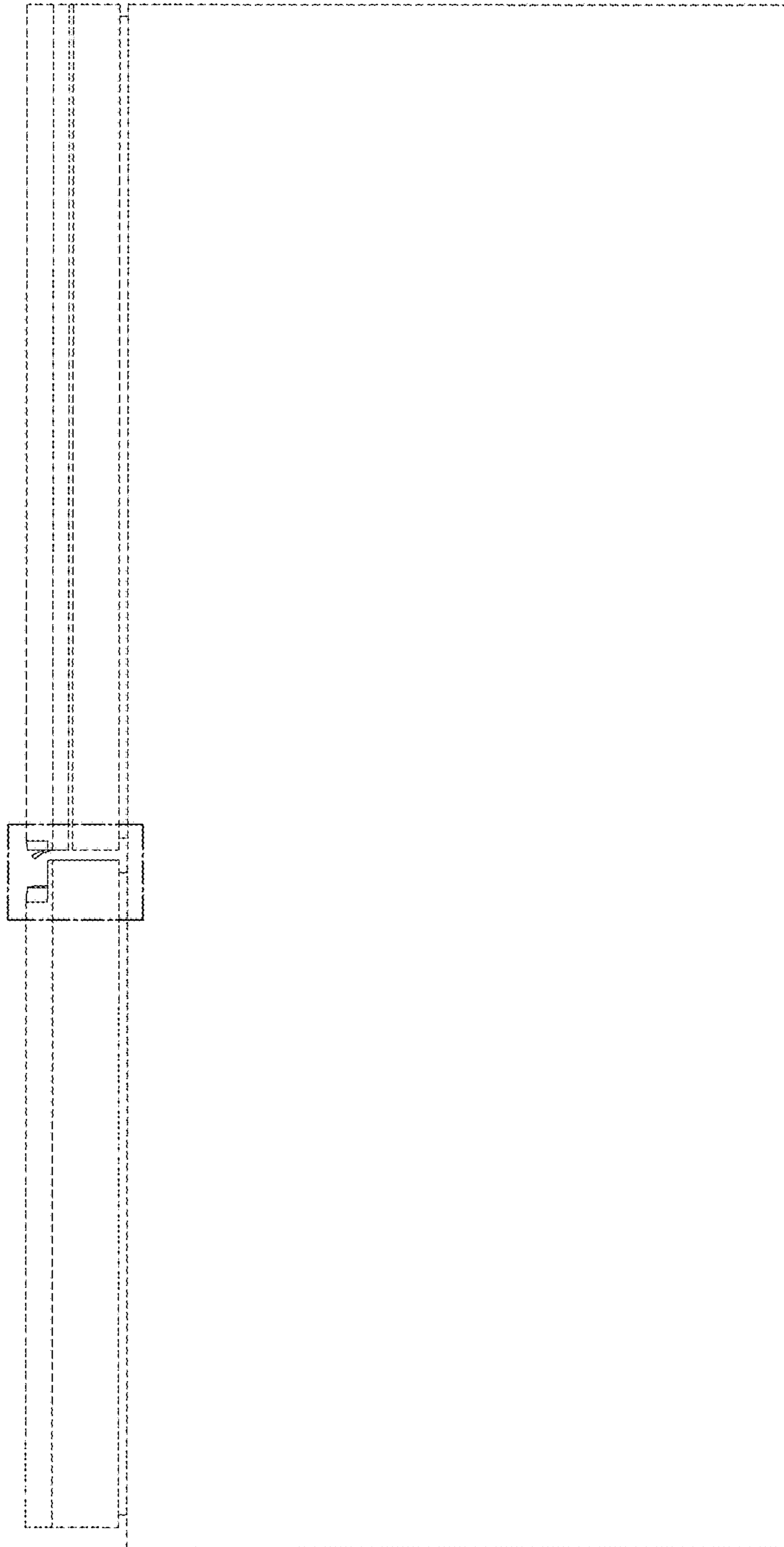
1.3



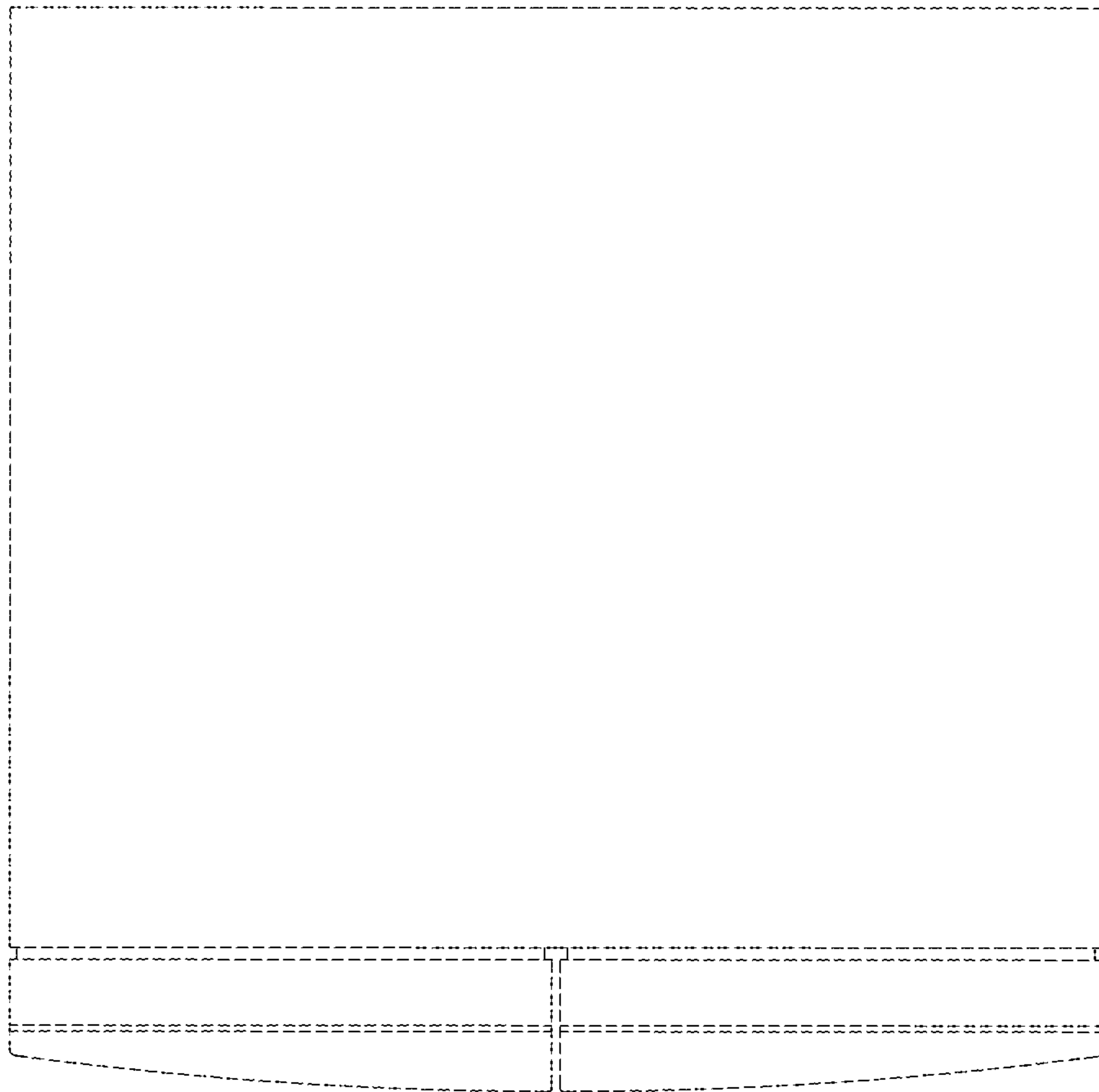
1.4



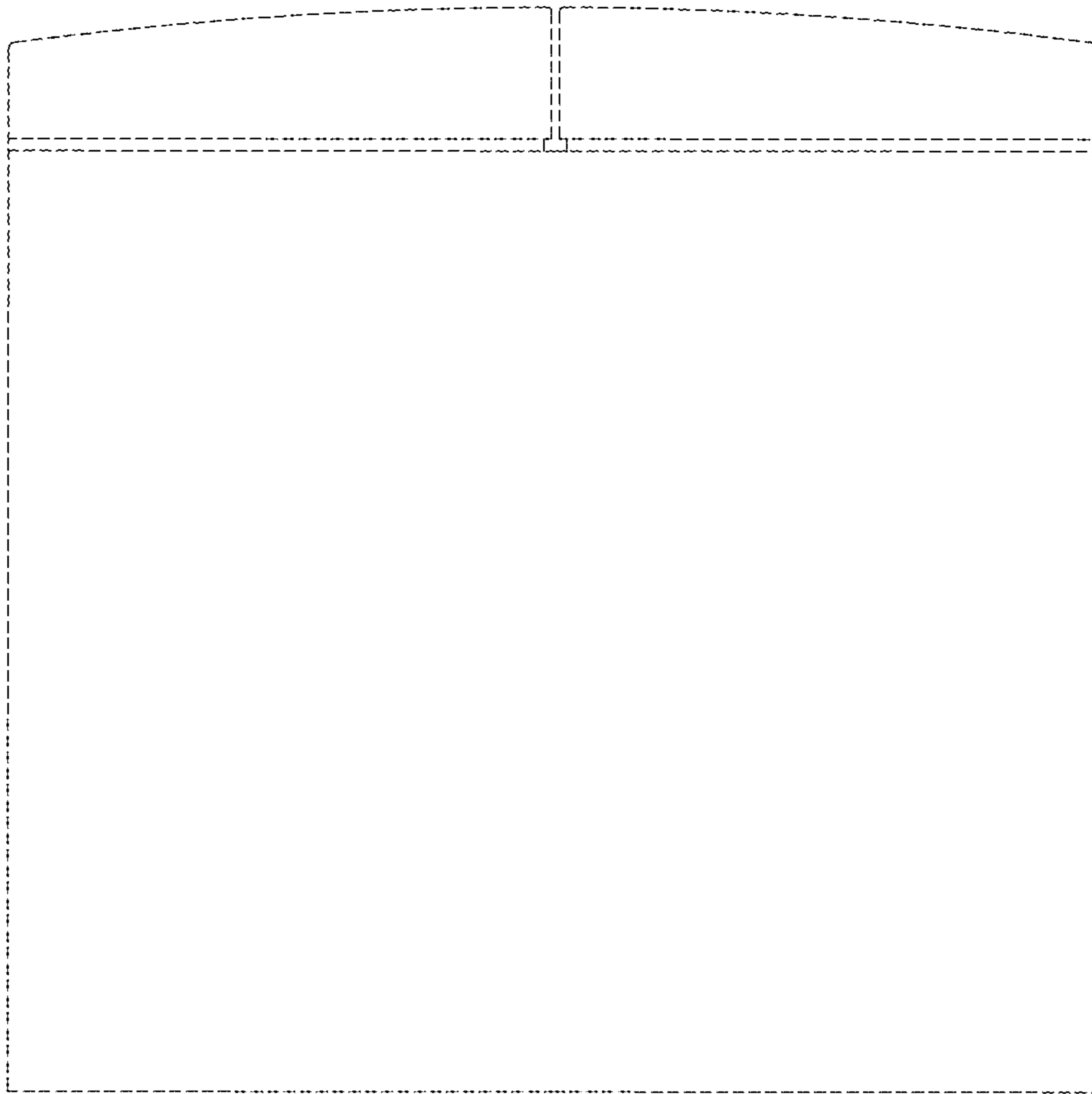
1.5



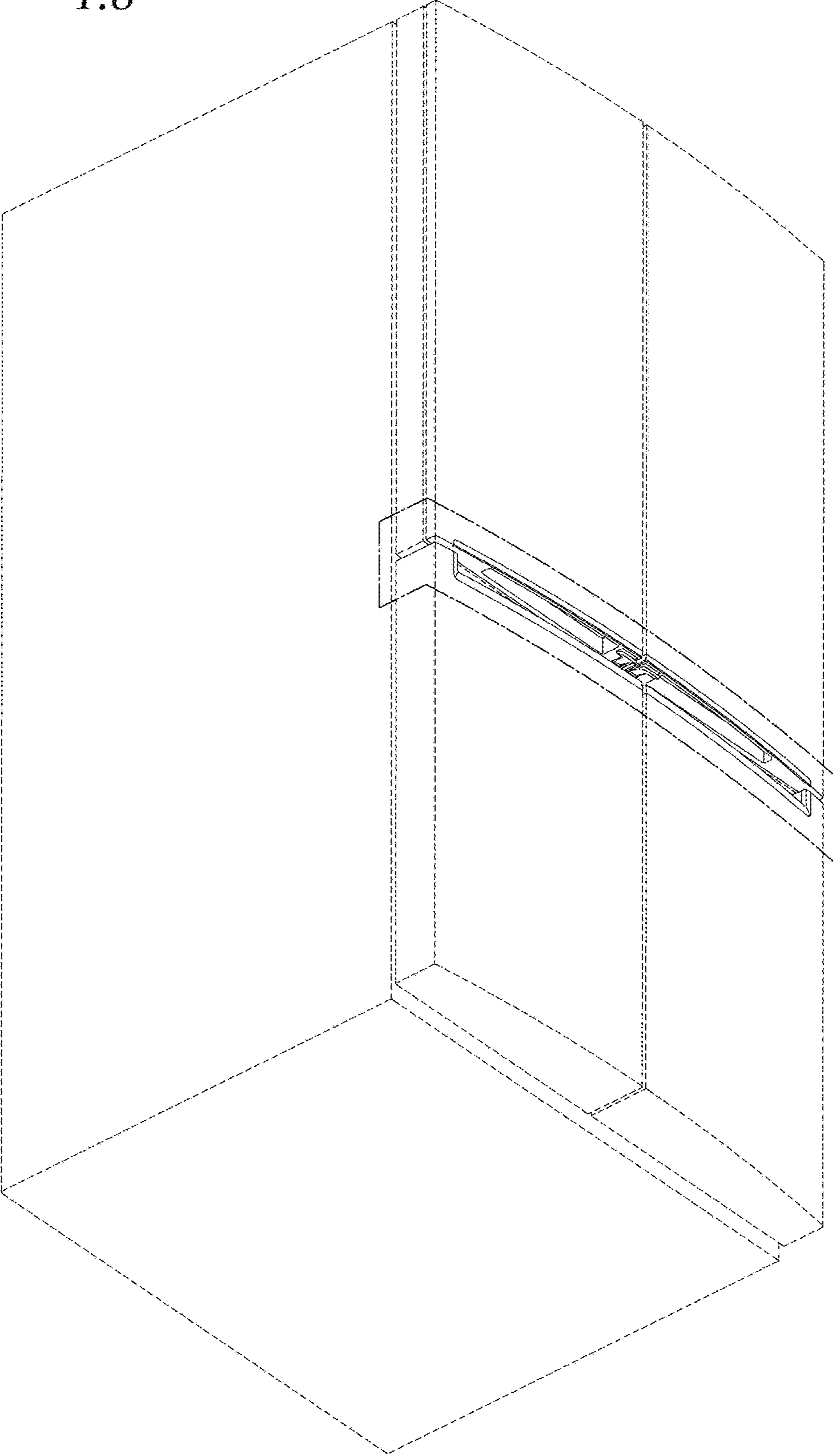
1.6



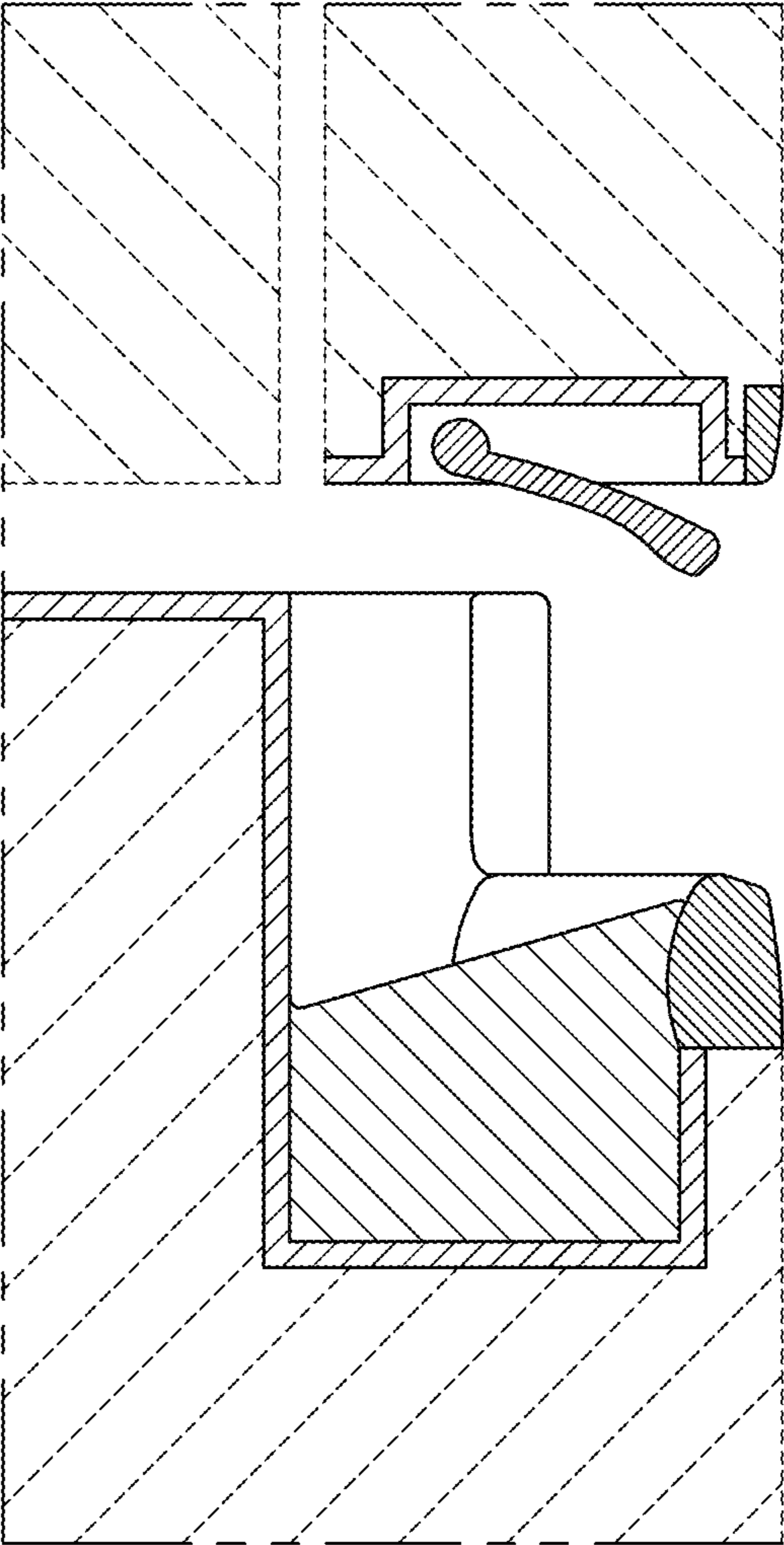
1.7



1.8



1.9



1.10

