



US00D807409S

(12) **United States Design Patent**  
**Onrat**

(10) **Patent No.:** **US D807,409 S**  
(45) **Date of Patent:** **\*\* Jan. 9, 2018**

(54) **REFRIGERATOR**

(71) Applicant: **Arcelik Anonim Sirketi**, Istanbul (TR)

(72) Inventor: **Onur Onrat**, Istanbul (TR)

(73) Assignee: **Arcelik Anonim Sirketi**, Istanbul (TR)

(\*\*) Term: **15 Years**

(21) Appl. No.: **29/556,766**

(22) Filed: **Mar. 3, 2016**

(30) **Foreign Application Priority Data**

Sep. 3, 2015 (EM) ..... 002765271

(51) **LOC (11) Cl.** ..... **15-07**

(52) **U.S. Cl.**  
USPC ..... **D15/85**

(58) **Field of Classification Search**  
USPC ..... D15/79-91  
CPC ..... F25B 2600/024; F25B 1/02; F25B 1/10;  
F25B 21/00; F25B 21/02; F25B  
2321/001; F25B 2341/0661; F25B  
2400/0409; F25B 2400/07; F25B  
2400/075; F25B 2400/16; F25B 2400/17;  
F25B 2500/19; F25B 2500/26; F25B  
2600/021; F25B 2600/23; F25B  
2700/151; F25B 27/002; F25B 41/043  
See application file for complete search history.

(56) **References Cited**

**U.S. PATENT DOCUMENTS**

D188,011 S	*	5/1960	Ferar	.....	D15/87
D482,704 S	*	11/2003	Park	.....	D15/81
D486,163 S	*	2/2004	Seok	.....	D15/81
D546,843 S	*	7/2007	Knoell	.....	D15/87
D602,051 S	*	10/2009	Yalcin	.....	D15/87

(Continued)

*Primary Examiner* — Ian Simmons

*Assistant Examiner* — Khawaja Anwar

(74) *Attorney, Agent, or Firm* — Fox Rothschild LLP

(57) **CLAIM**

The ornamental designs for a refrigerator, as shown and described.

**DESCRIPTION**

FIG. 1 is a perspective view of a refrigerator according to a first embodiment of the present invention.

FIG. 2 is a front elevation view of the refrigerator of FIG. 1.

FIG. 3 is a rear elevation view of the refrigerator of FIG. 1.

FIG. 4 is a right side elevation view of the refrigerator of FIG. 1.

FIG. 5 is a left side elevation view of the refrigerator of FIG. 1.

FIG. 6 is a top plan view of the refrigerator of FIG. 1.

FIG. 7 is a bottom plan view of the refrigerator of FIG. 1.

FIG. 8 is a perspective view of the refrigerator of FIG. 1 with the doors thereof in an open position.

FIG. 9 is a perspective view of a refrigerator according to a second embodiment of the present invention.

FIG. 10 is a front elevation view of the refrigerator of FIG. 9.

FIG. 11 is a rear elevation view of the refrigerator of FIG. 9.

FIG. 12 is a right side elevation view of the refrigerator of FIG. 9.

FIG. 13 is a left side elevation view of the refrigerator of FIG. 9.

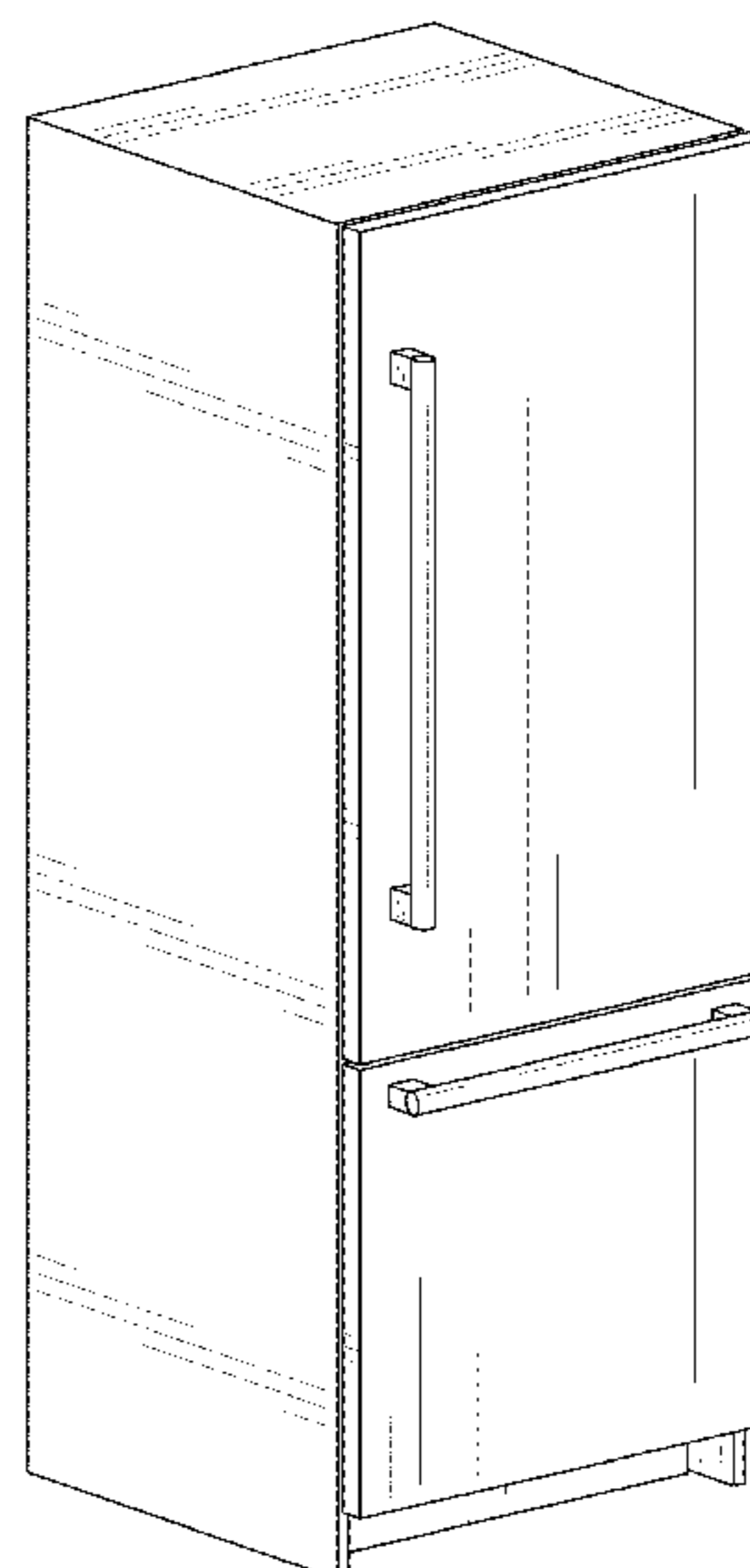
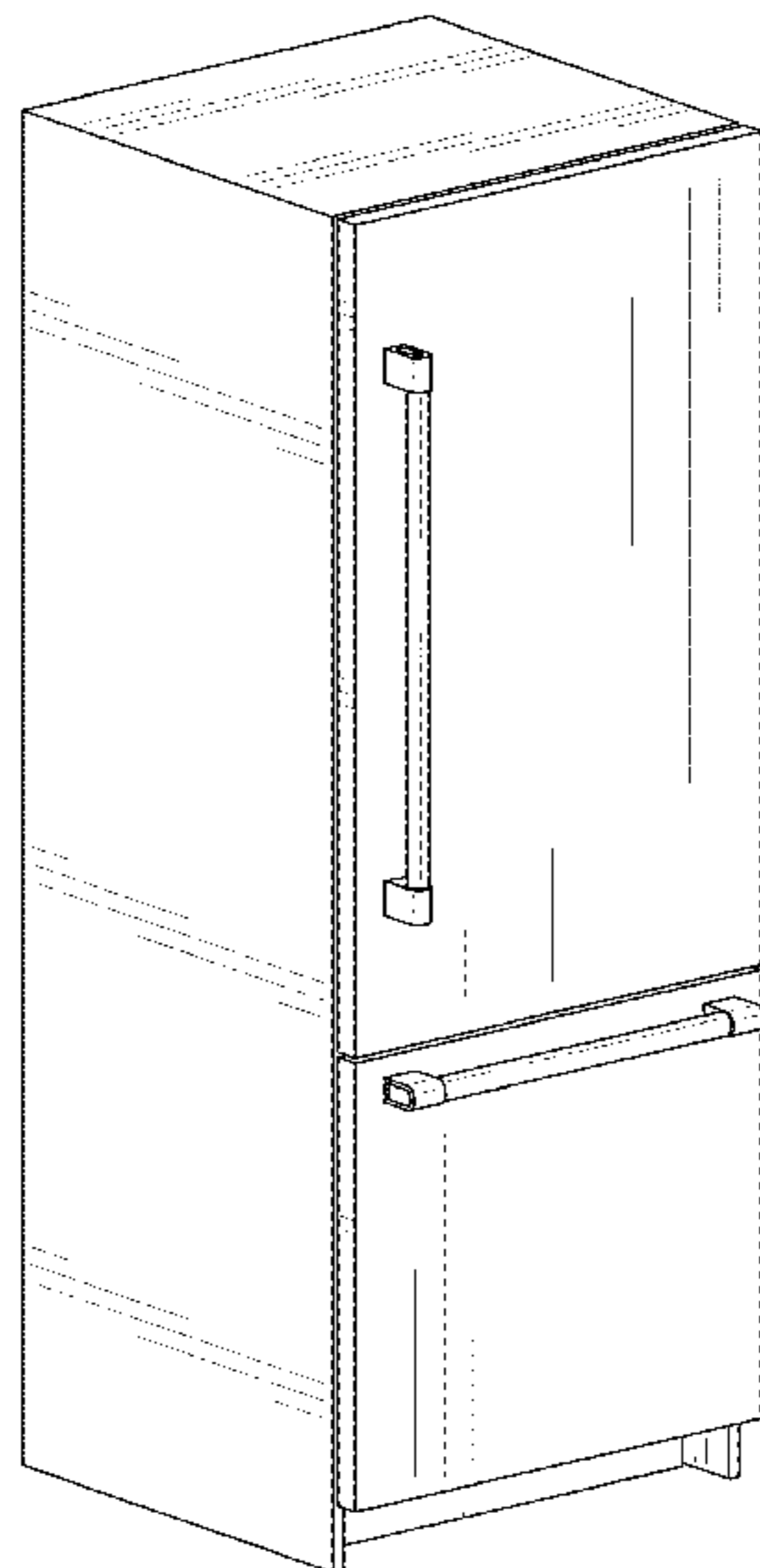
FIG. 14 is a top plan view of the refrigerator of FIG. 9.

FIG. 15 is a bottom plan view of the refrigerator of FIG. 9; and,

FIG. 16 is a perspective view of the refrigerator of FIG. 9 with the doors thereof in an open position.

The broken lines illustrate portions of the refrigerator and are environmental and form no part of the claimed design.

**1 Claim, 16 Drawing Sheets**



(56)

**References Cited**

U.S. PATENT DOCUMENTS

D615,567 S	*	5/2010	Baker	.....	D15/91
D673,188 S	*	12/2012	Seo	.....	D15/85
D707,733 S	*	6/2014	Yunho	.....	D15/85
D713,428 S	*	9/2014	Cho	.....	D15/85
D715,334 S	*	10/2014	Sin	.....	D15/81
D716,349 S	*	10/2014	Heo	.....	D15/81

\* cited by examiner

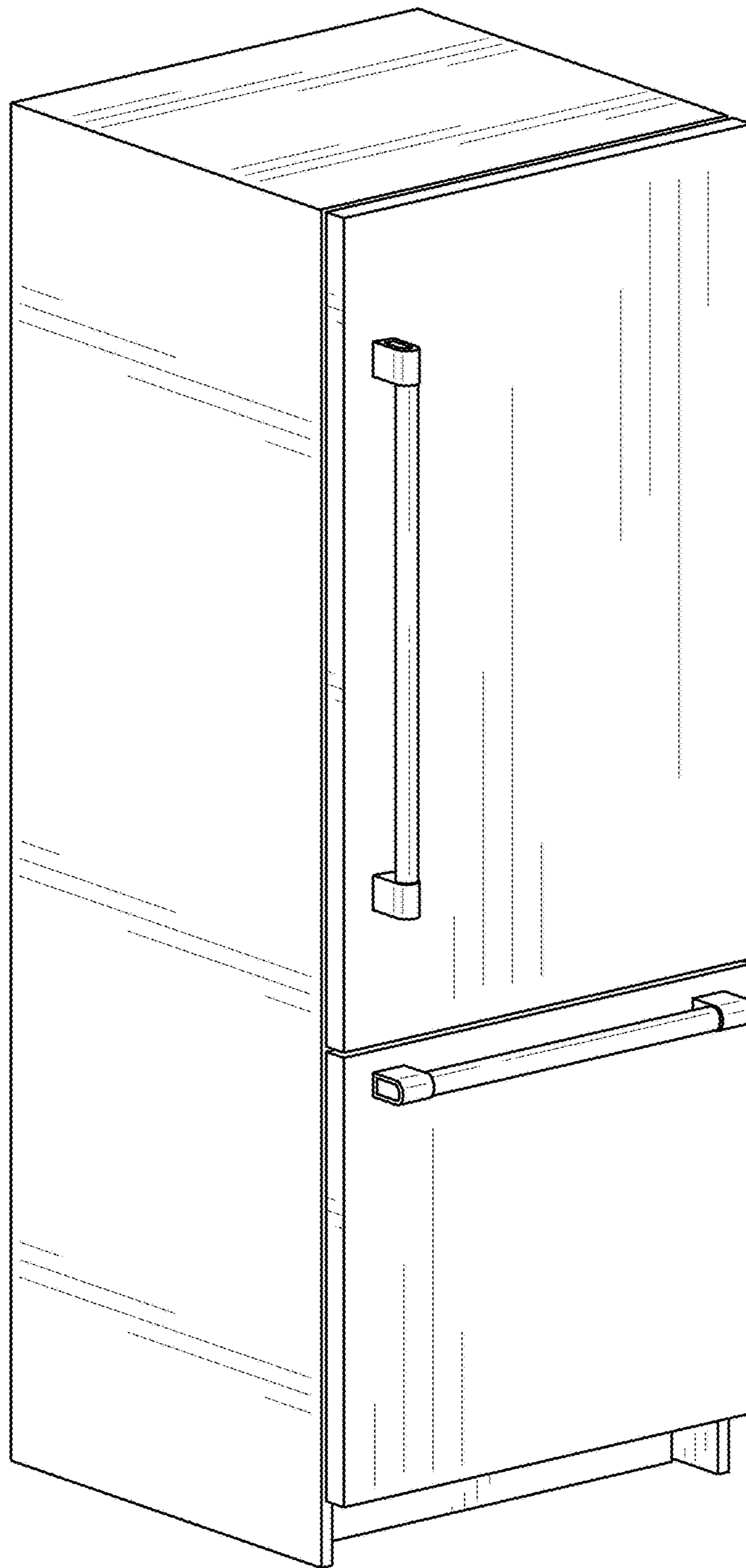


FIG. 1

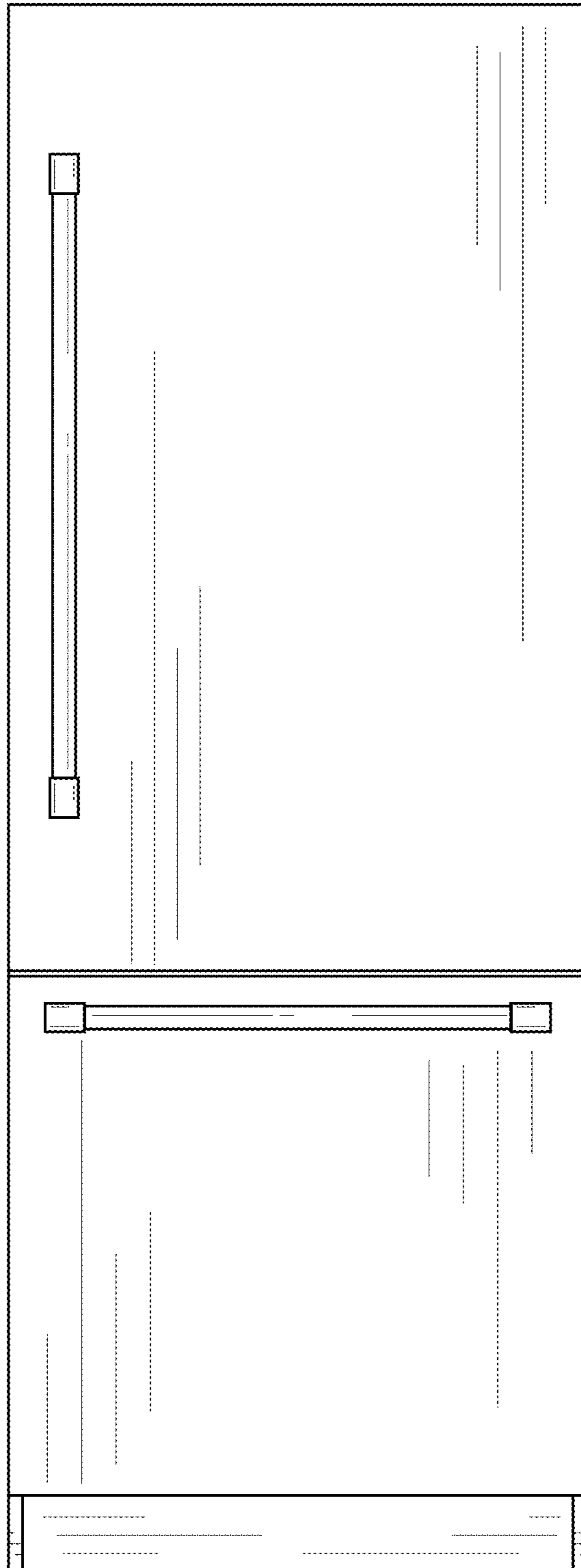


FIG. 2

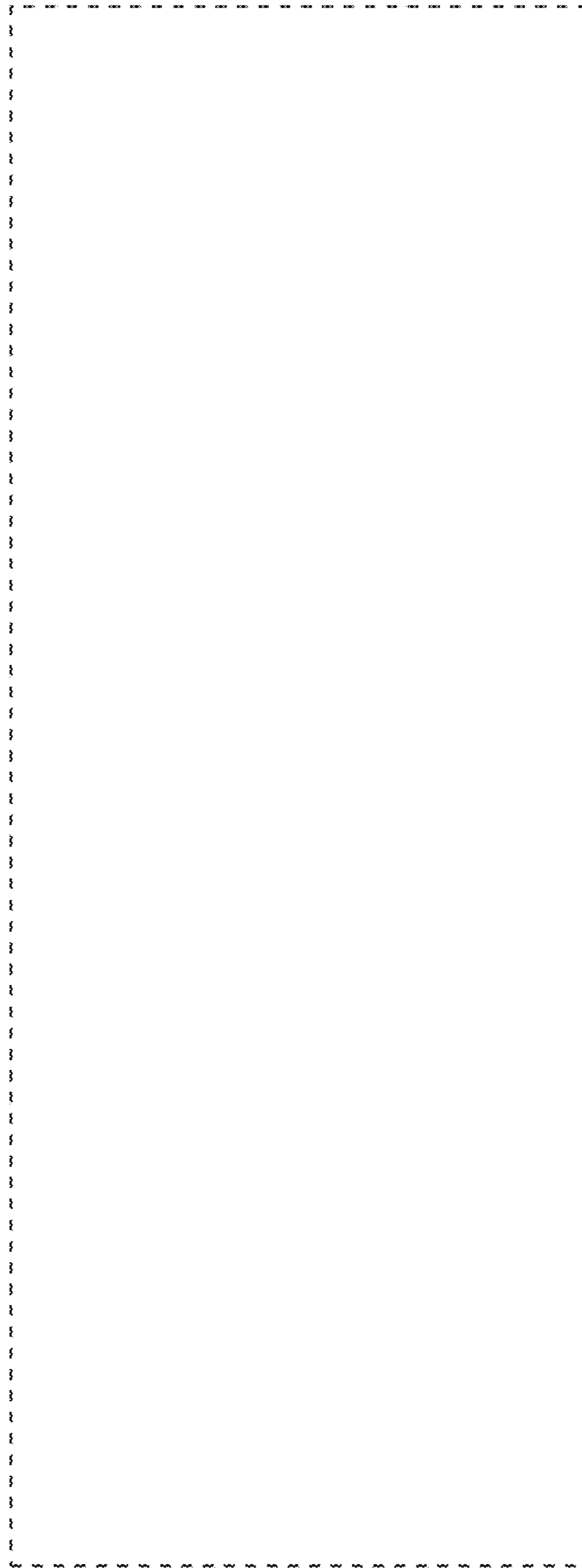


FIG. 3

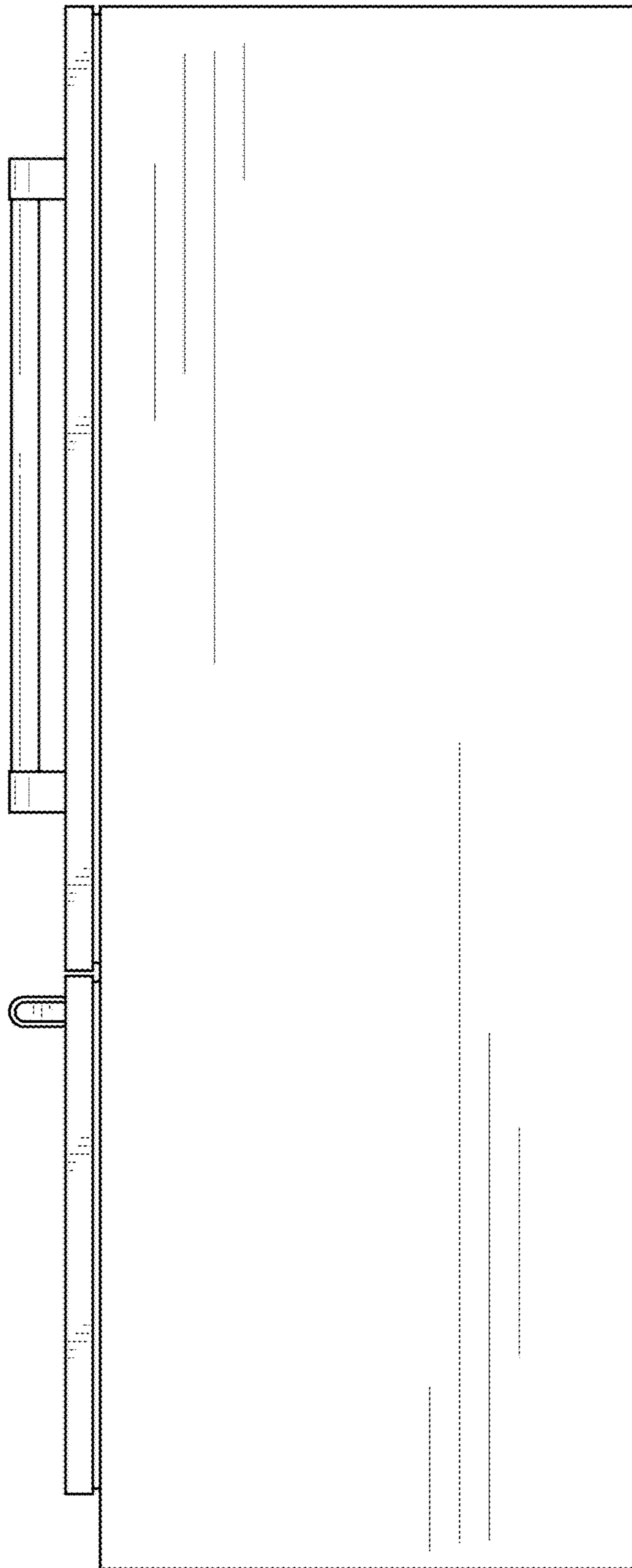


FIG. 4

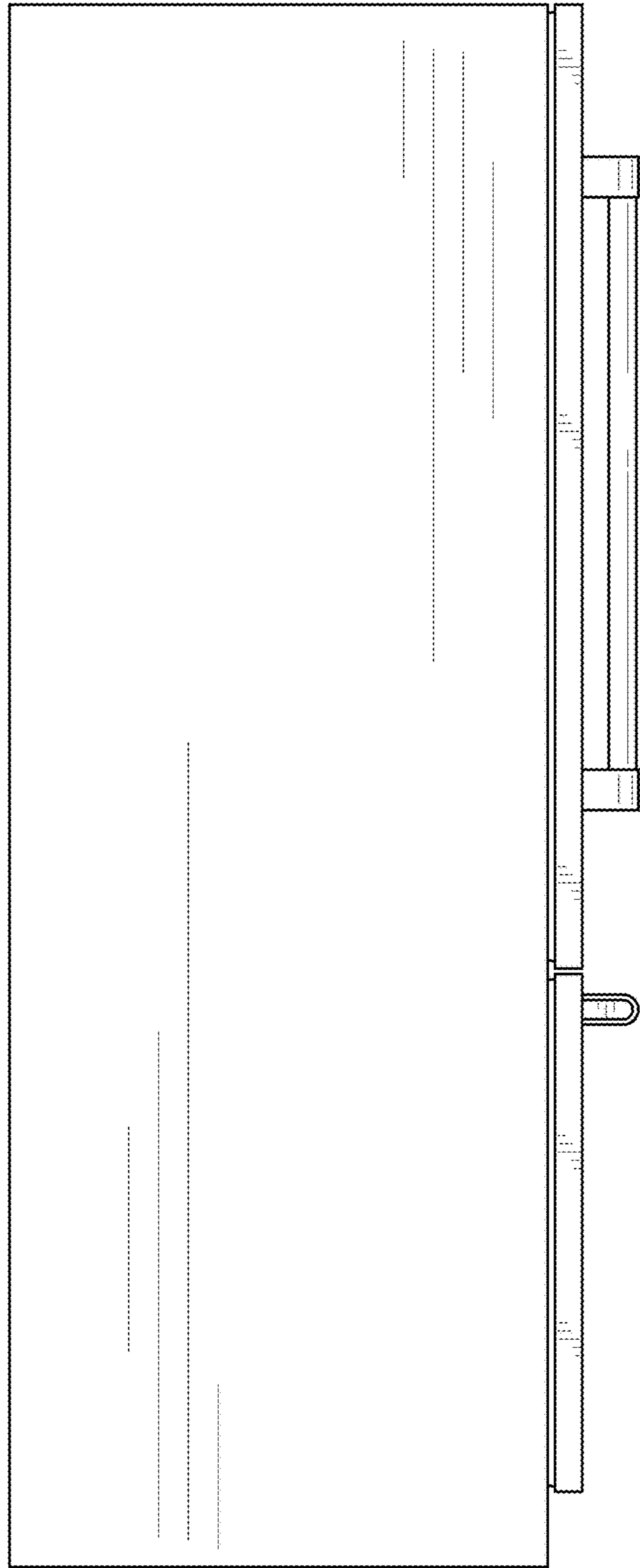


FIG. 5

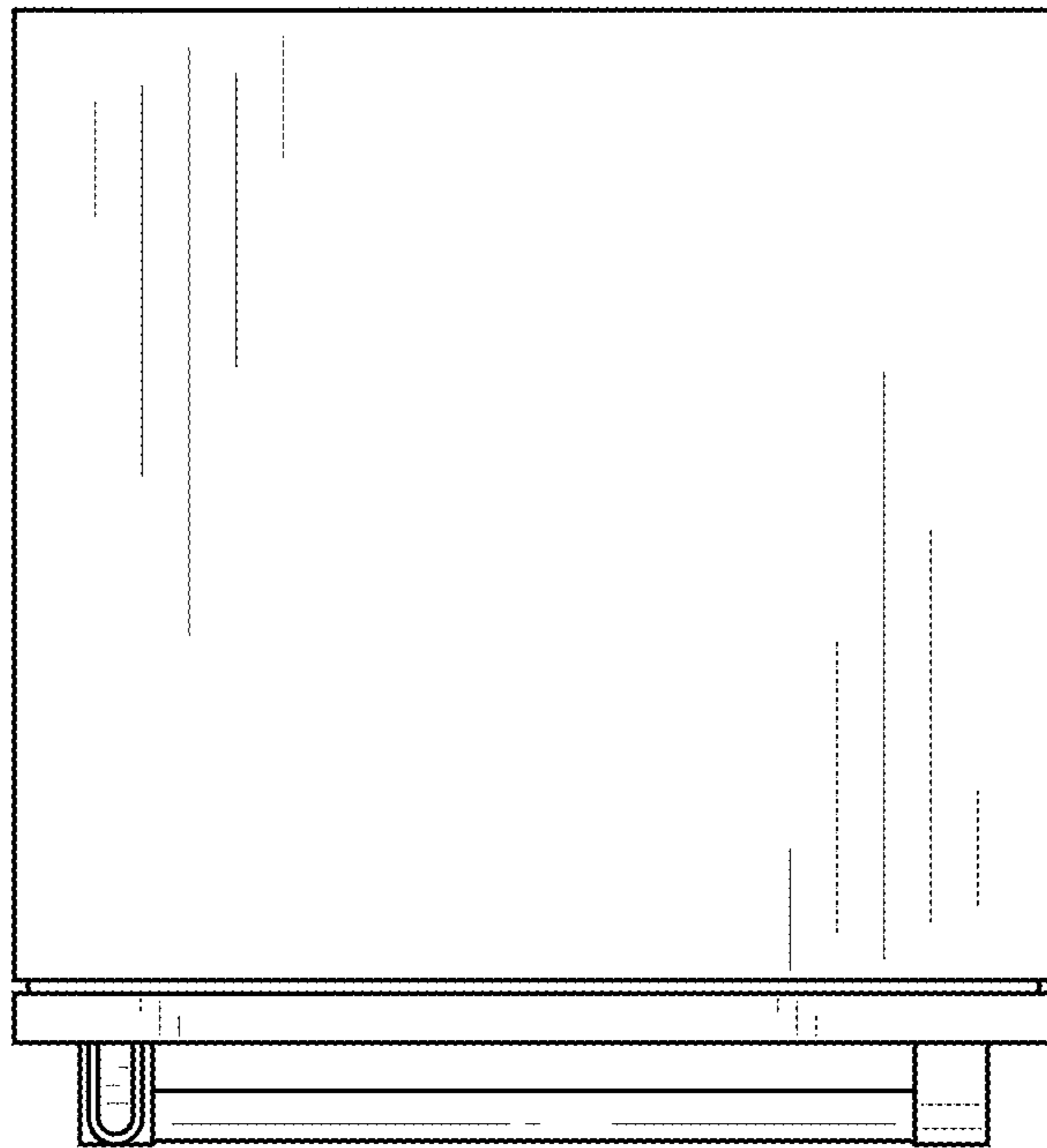


FIG. 6



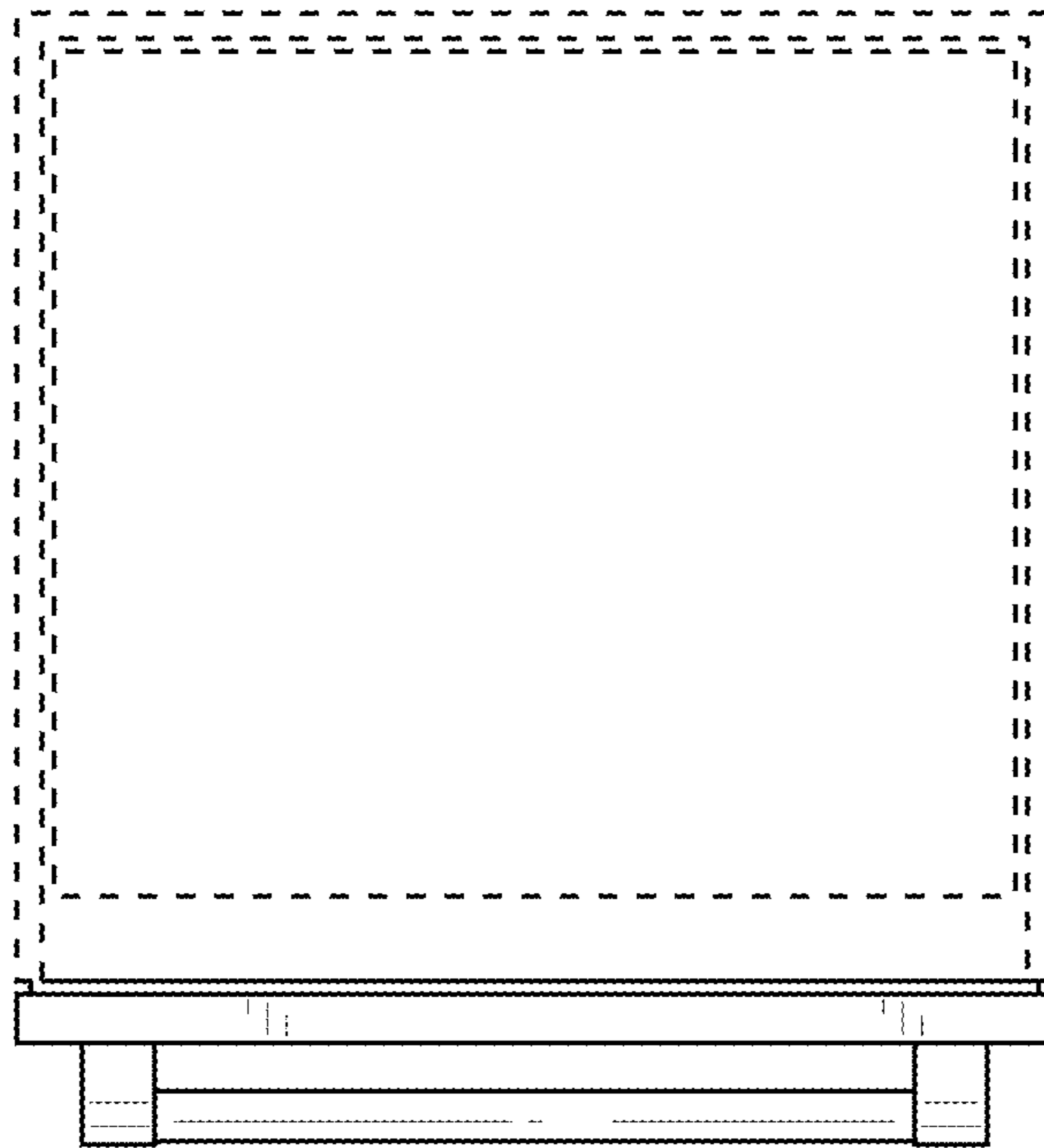


FIG. 7

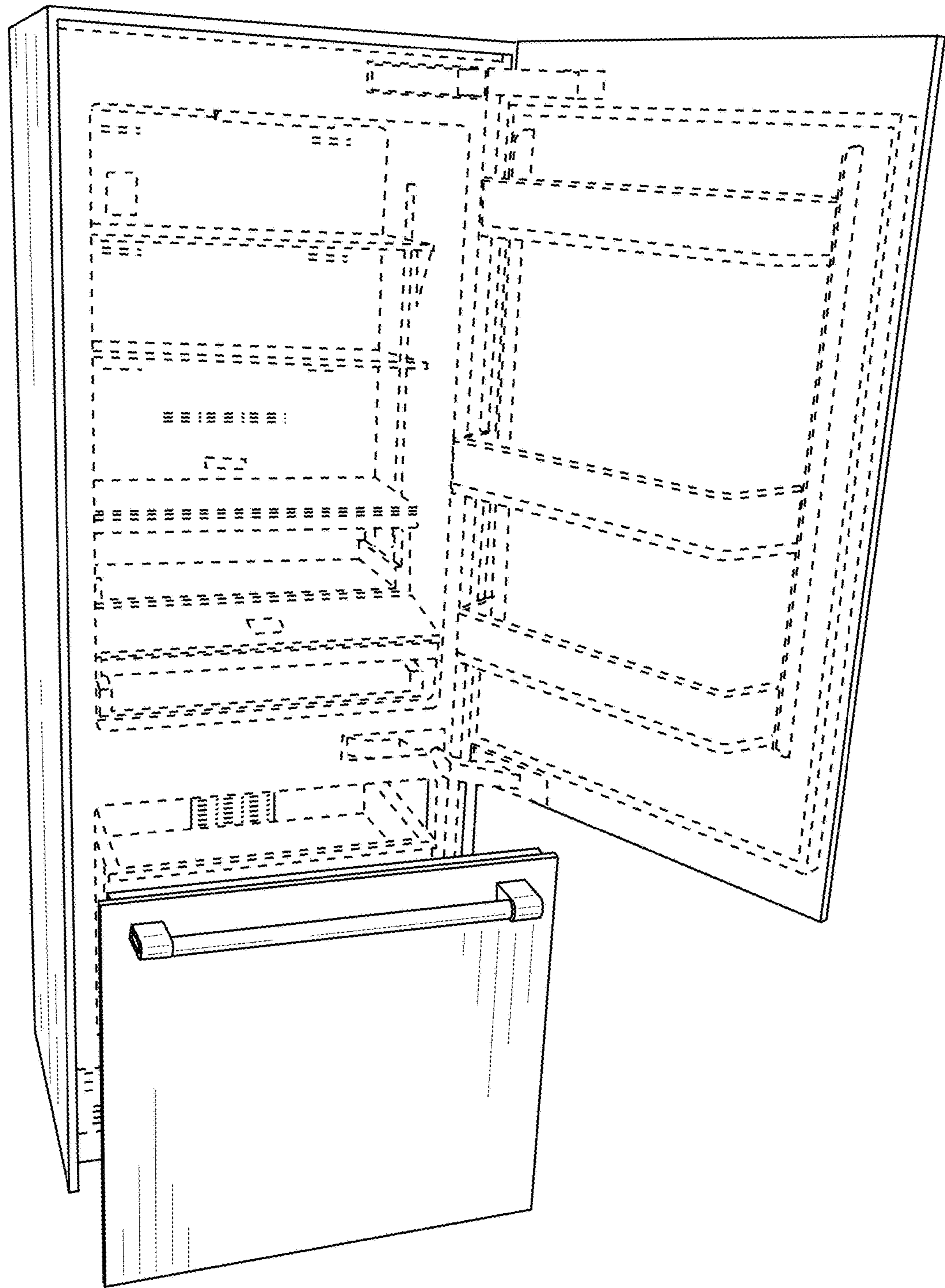


FIG. 8

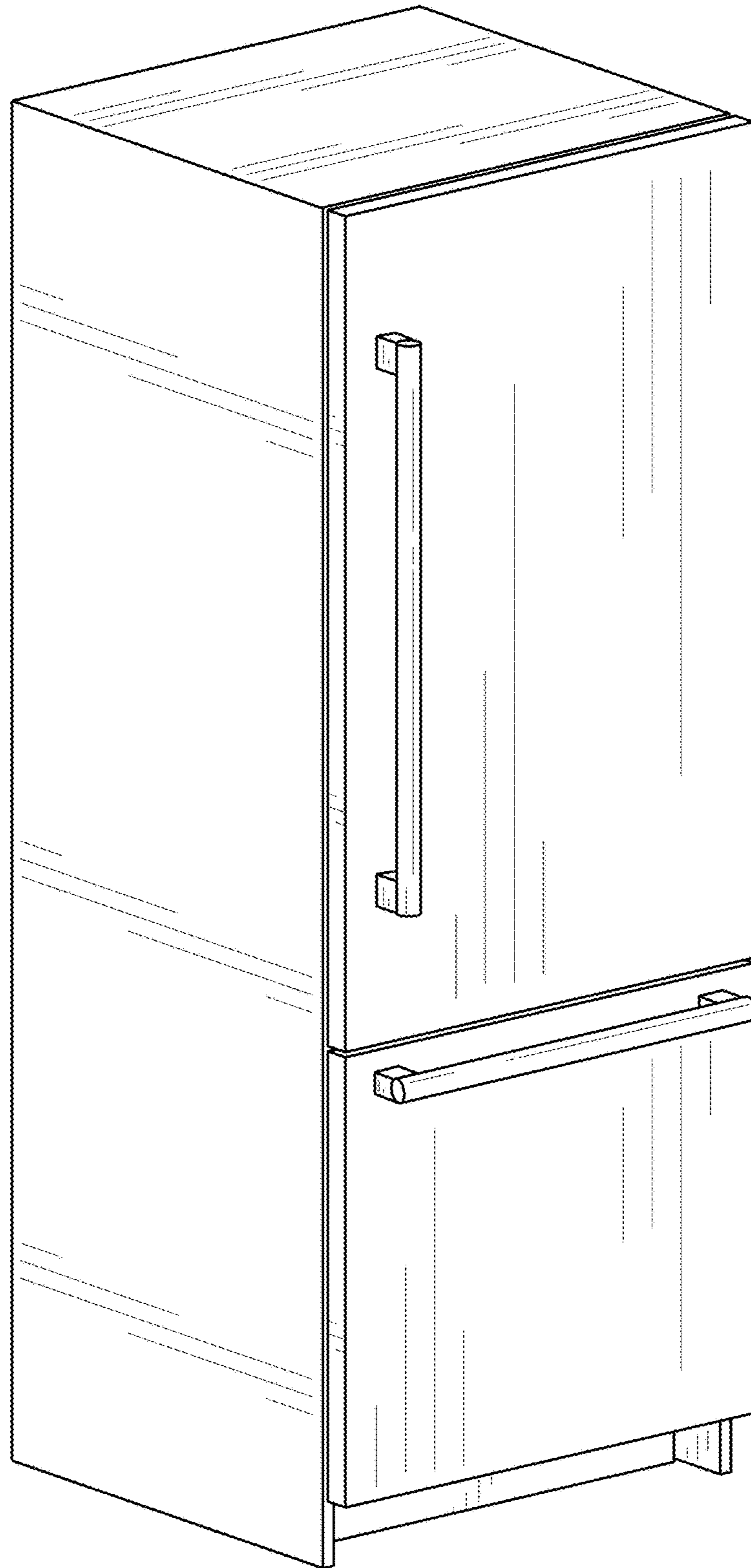


FIG. 9

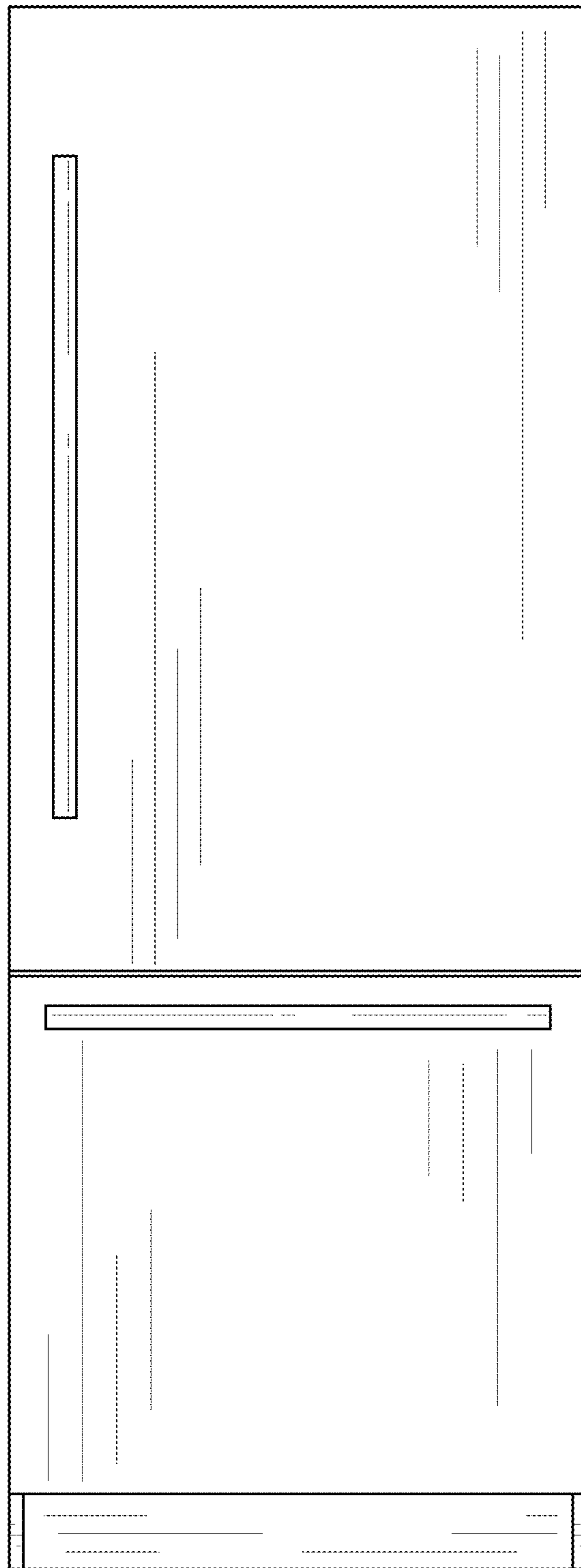


FIG. 10

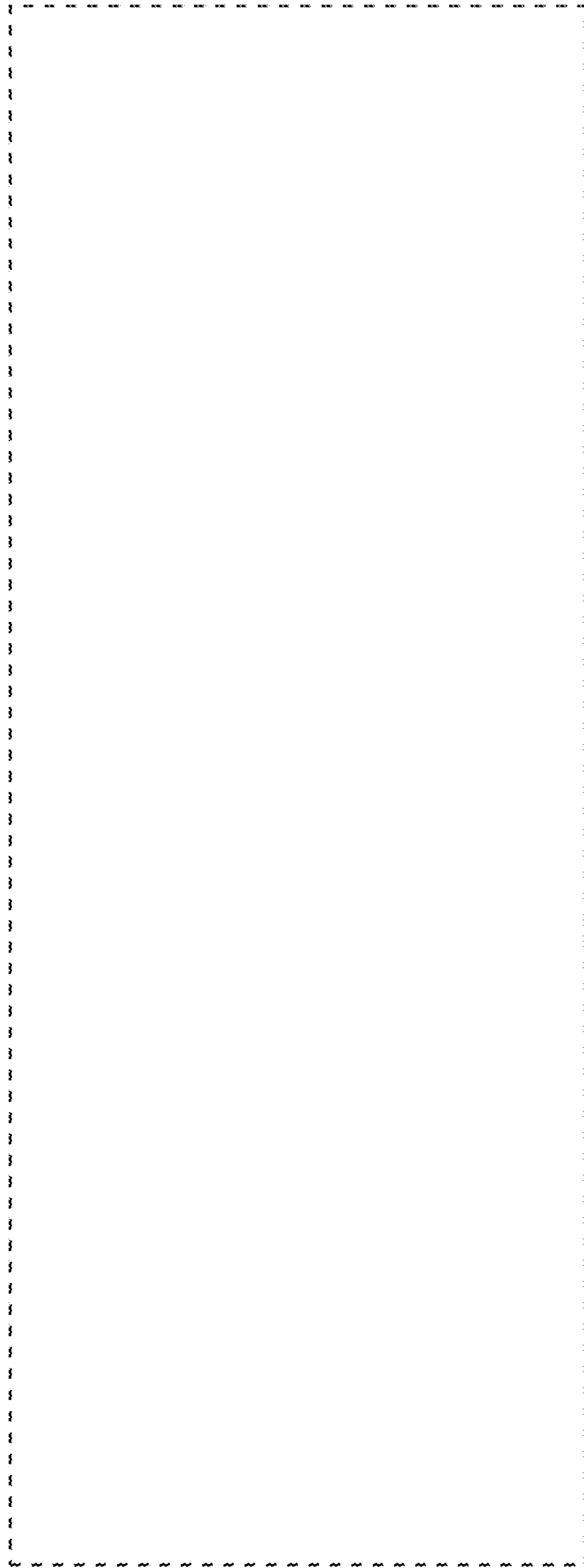


FIG. 11

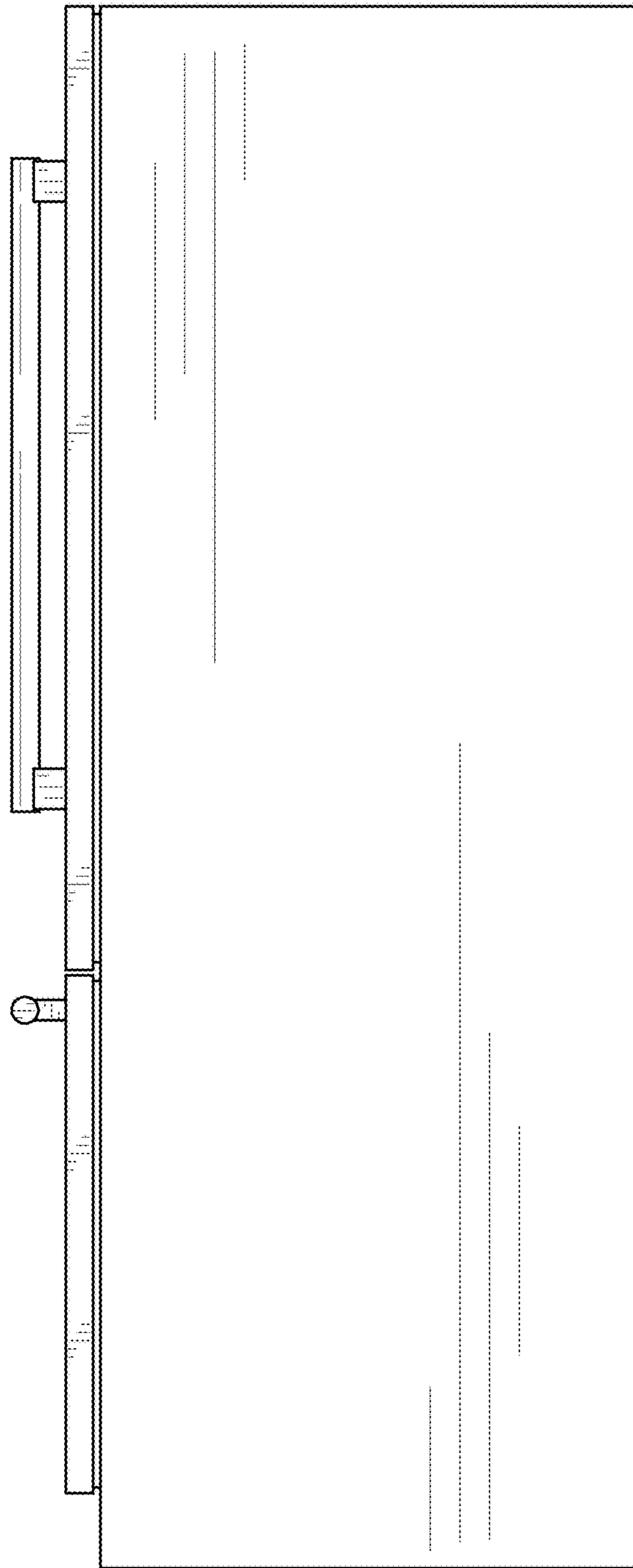


FIG. 12

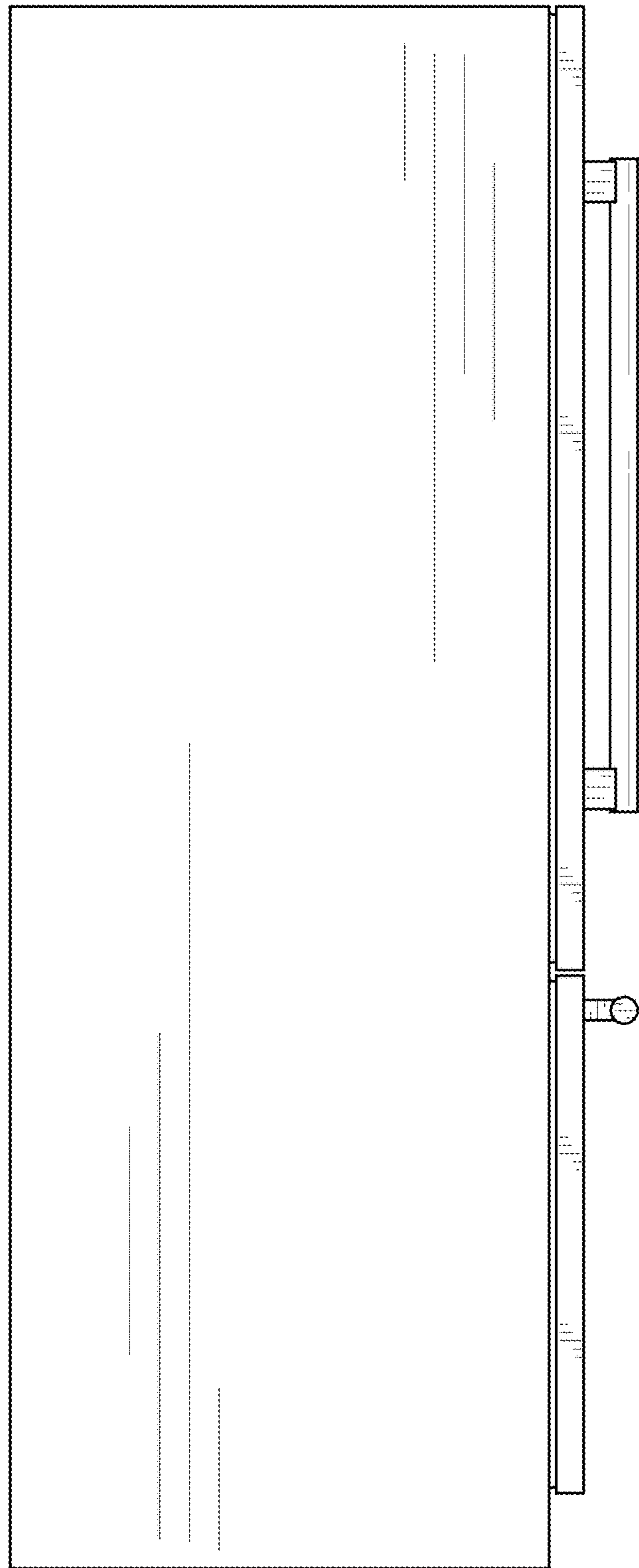


FIG. 13

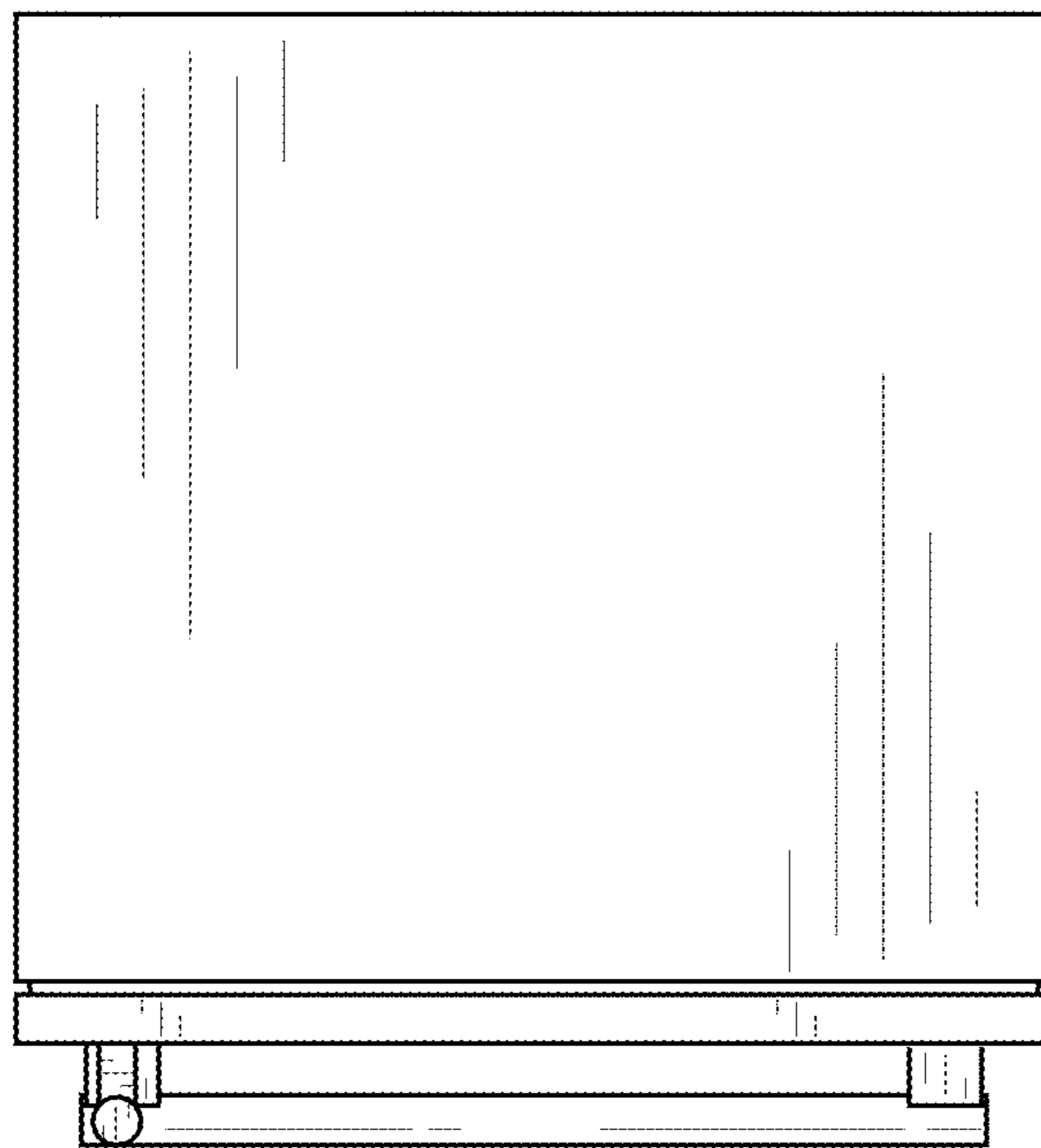


FIG. 14



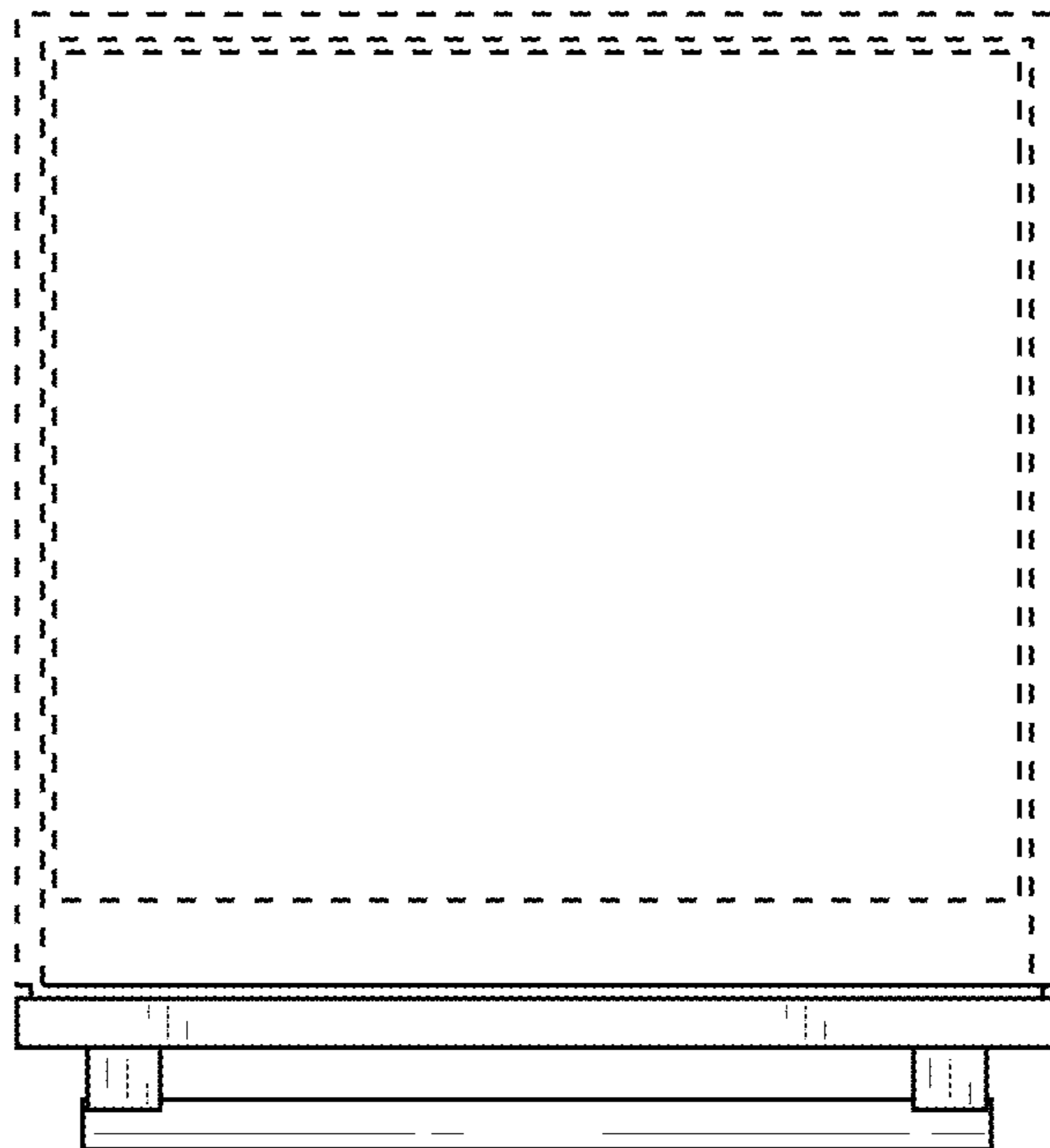


FIG. 15

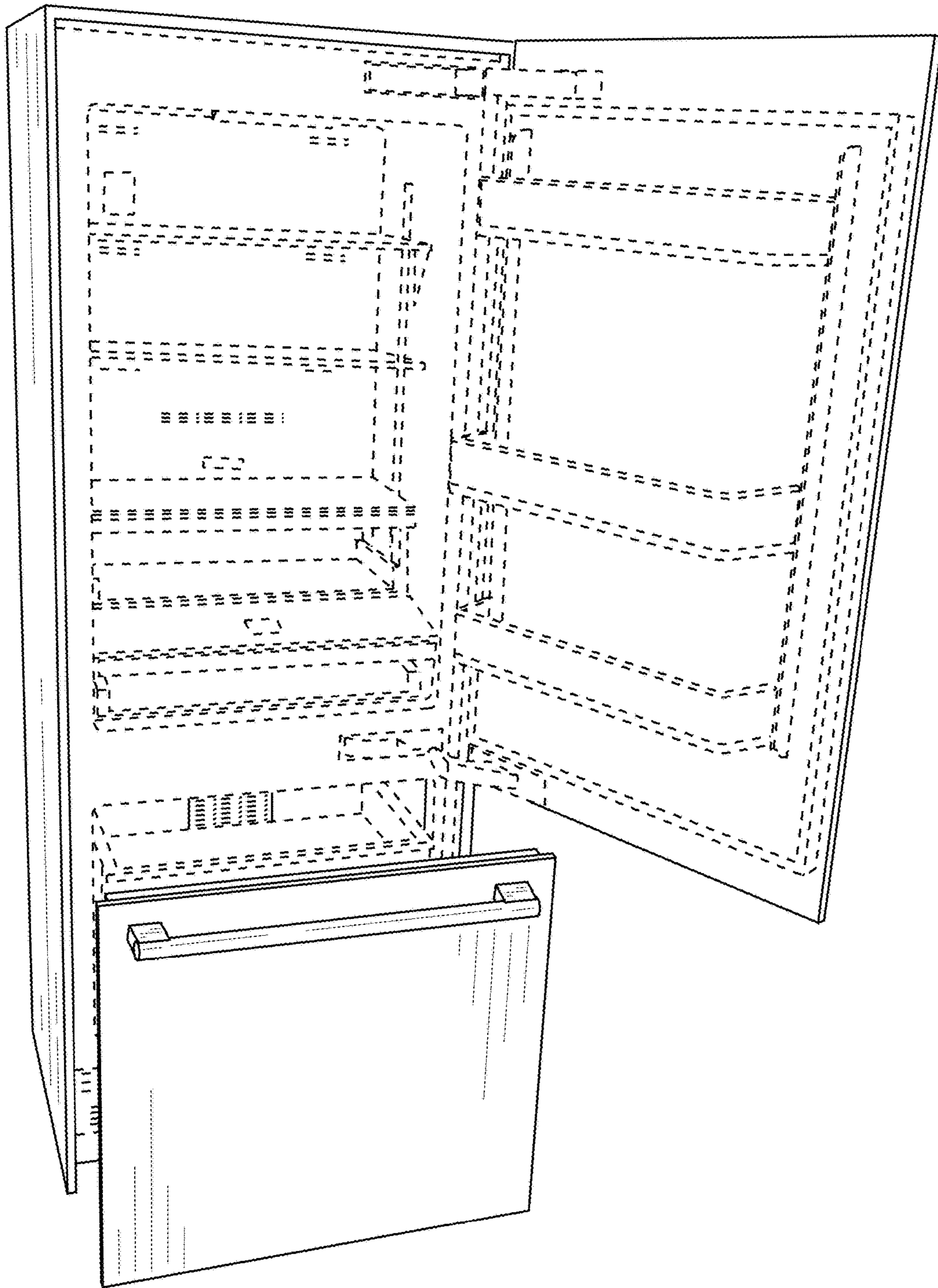


FIG. 16