



US00D807407S

(12) **United States Design Patent**
Takagi et al.

(10) **Patent No.:** **US D807,407 S**
(45) **Date of Patent:** **** Jan. 9, 2018**

(54) **BUCKET WORK MACHINE FOR A LOADER**

(71) Applicant: **Kubota Corporation**, Osaka-shi (JP)

(72) Inventors: **Masataka Takagi**, Sakai (JP); **Akihiko Mori**, Sakai (JP); **Takahiro Yonekura**, Sakai (JP); **Masaki Abe**, Sakai (JP)

(73) Assignee: **Kubota Corporation**, Osaka (JP)

(**) Term: **15 Years**

(21) Appl. No.: **29/582,571**

(22) Filed: **Oct. 28, 2016**

(51) **LOC (11) Cl.** **15-03**

(52) **U.S. Cl.**
USPC **D15/32; D15/28**

(58) **Field of Classification Search**
USPC D15/10, 22-26, 28, 29, 32; 414/686, 414/694, 722, 718, 815, 723, 685, 724; 37/341, 407, 468
CPC ... E02F 9/2275; E02F 3/34; E02F 3/28; E02F 3/36; E02F 3/6273; E02F 3/627; E02F 3/432; E02F 3/422; E02F 3/3408; E02F 3/382; B66C 23/00; A01D 87/0069
See application file for complete search history.

D533,883 S 12/2006 Higashikawa et al.
D535,667 S 1/2007 Higashikawa et al.
7,281,890 B2 * 10/2007 Friesen E02F 3/627
172/275
D584,749 S 1/2009 Smith et al.
D595,746 S * 7/2009 Iida D15/28
D610,172 S 2/2010 Yukino et al.
7,735,248 B2 * 6/2010 Sakada E02F 3/3408
37/466
D646,302 S 10/2011 Lanting et al.
D646,303 S 10/2011 Lanting et al.
D656,523 S 3/2012 Nilsson
D672,372 S 12/2012 Nilsson
D739,446 S 9/2015 Nilsson
D760,811 S 7/2016 Uchijima et al.
D766,343 S 9/2016 Linan et al.
D788,184 S * 5/2017 Okuyama D15/32
2004/0228717 A1 * 11/2004 Perrin A01B 59/062
414/723
2007/0020078 A1 * 1/2007 Frey E02F 3/38
414/686
2007/0031233 A1 * 2/2007 Frey E02F 3/34
414/685

(Continued)

Primary Examiner — Mark Goodwin
(74) *Attorney, Agent, or Firm* — The Webb Law Firm

(57) **CLAIM**

The ornamental design for a bucket work machine for a loader, as shown and described.

DESCRIPTION

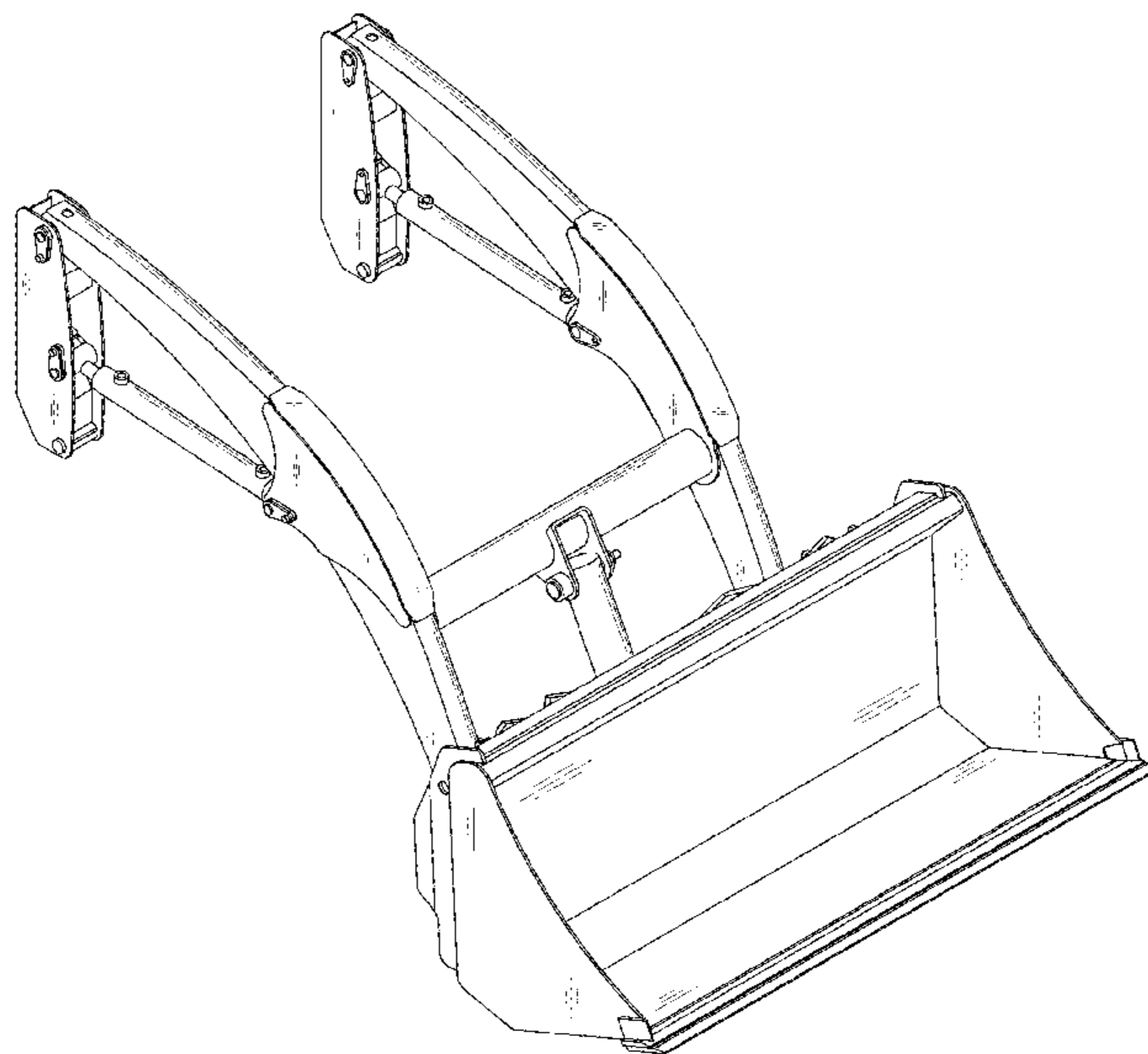
FIG. 1 is front view of a bucket work machine for a loader showing our new design;
FIG. 2 is a rear view thereof;
FIG. 3 is a left side view thereof;
FIG. 4 is a right side view thereof;
FIG. 5 is a top view thereof;
FIG. 6 is a bottom view thereof; and,
FIG. 7 is an upper left front perspective view thereof.

1 Claim, 7 Drawing Sheets

(56) **References Cited**

U.S. PATENT DOCUMENTS

2,989,199 A * 6/1961 Hough E02F 3/34
414/685
4,576,543 A * 3/1986 Kuchyt A01D 87/0069
414/685
5,885,050 A * 3/1999 Kim E02F 3/3408
414/706
D459,368 S * 6/2002 Westendorf D15/32
D507,004 S * 7/2005 Westendorf D15/32
D528,569 S 9/2006 Nilsson
D529,053 S * 9/2006 Stender D15/32



(56)

References Cited

U.S. PATENT DOCUMENTS

2007/0217899	A1 *	9/2007	Sakada	E02F 3/3408	414/722
2007/0292255	A1 *	12/2007	Nilsson	E02F 3/34	414/686
2008/0063502	A1 *	3/2008	Nilsson	E02F 3/34	414/685
2008/0193269	A1 *	8/2008	Sakada	E02F 3/38	414/722
2009/0238634	A1 *	9/2009	Sakada	E02F 3/3408	403/31

* cited by examiner

Fig. 1

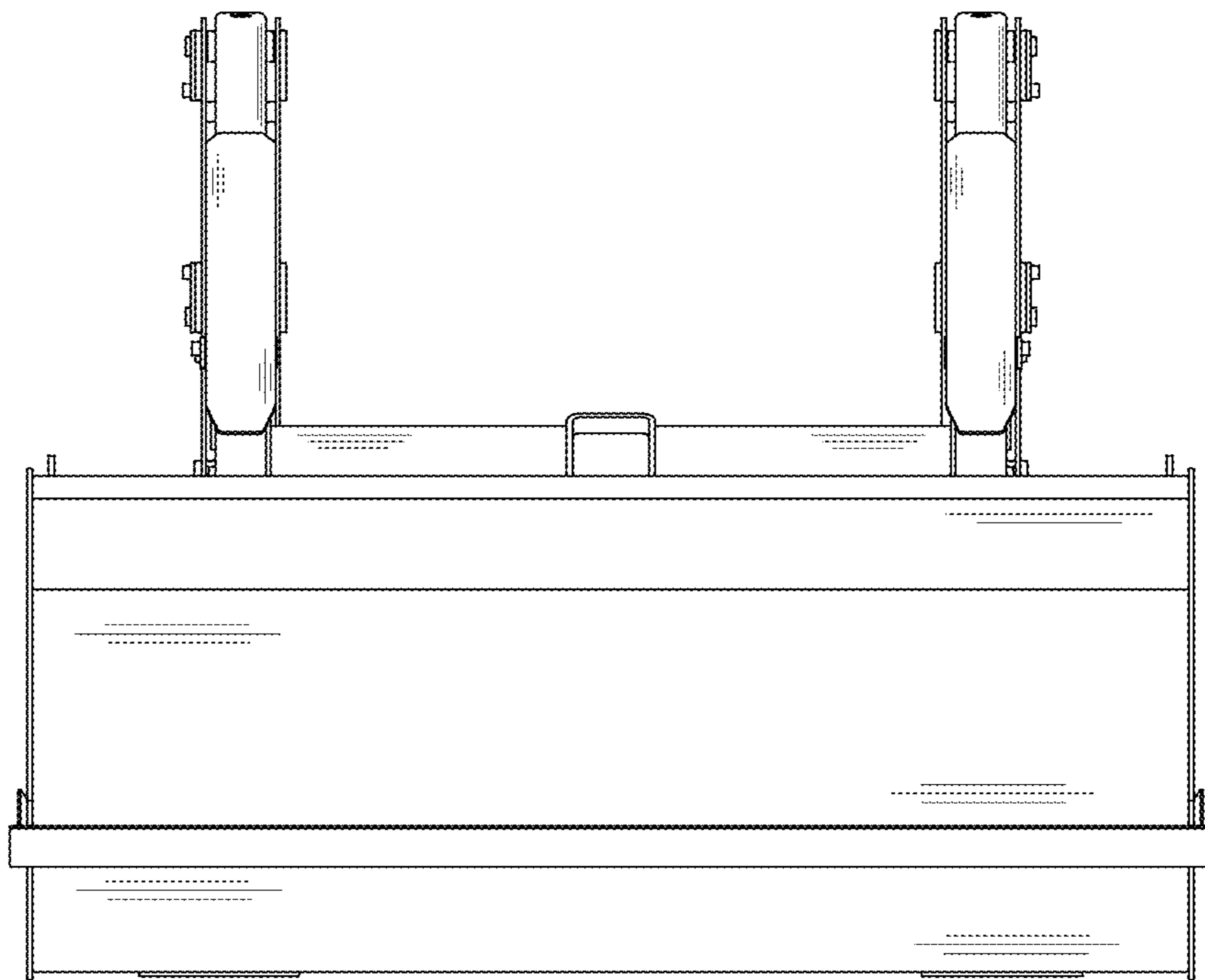


Fig.2

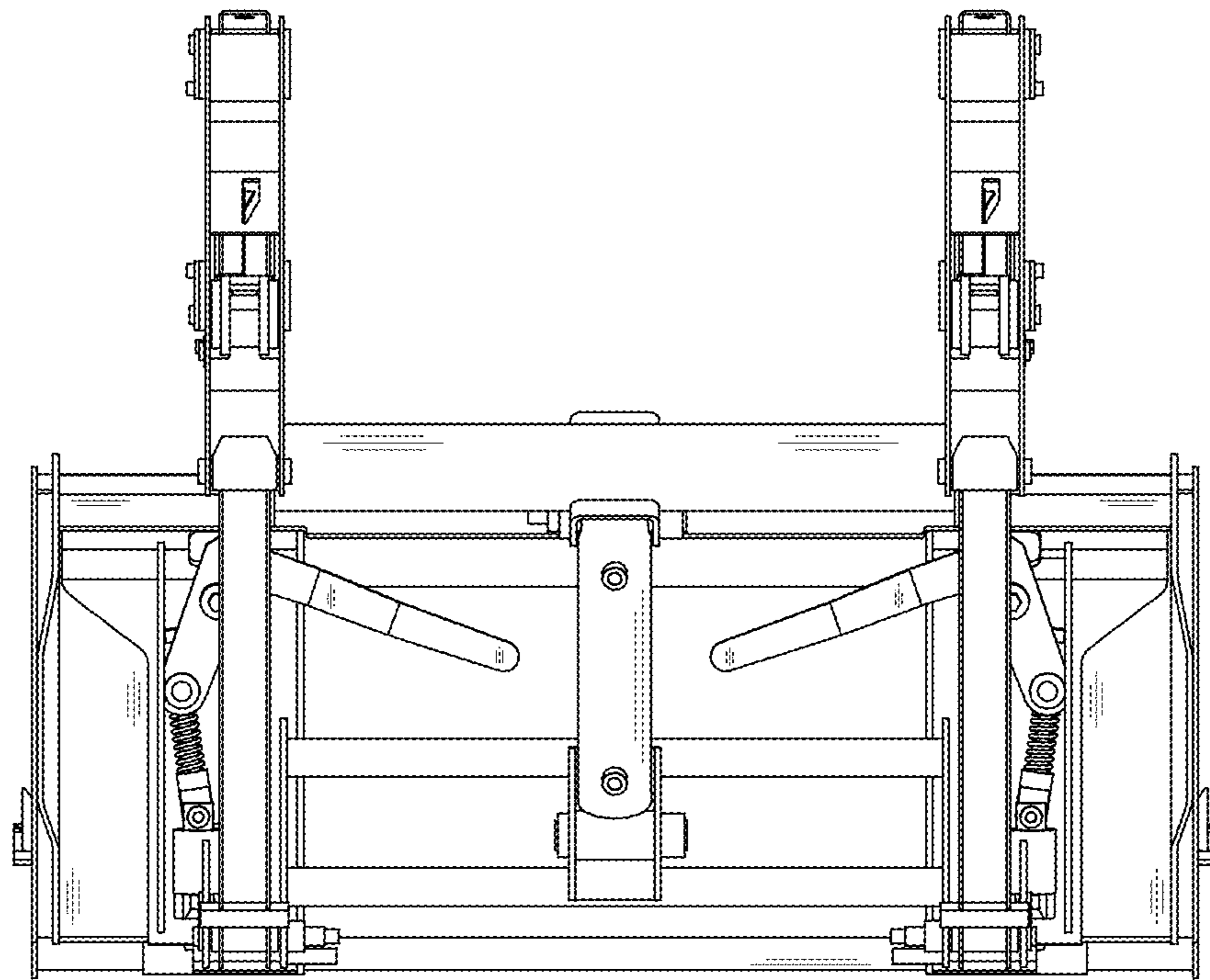


Fig.3

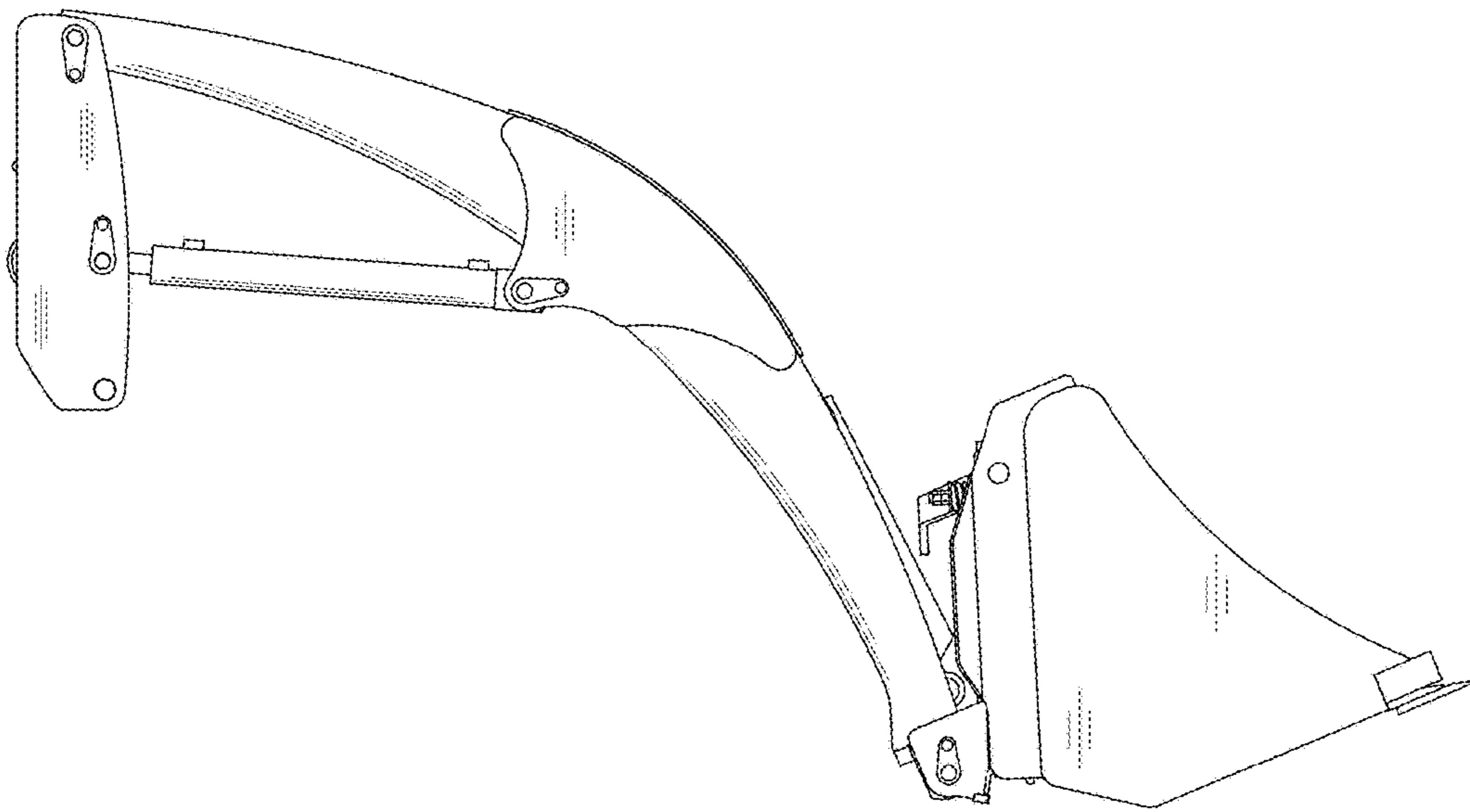


Fig.4

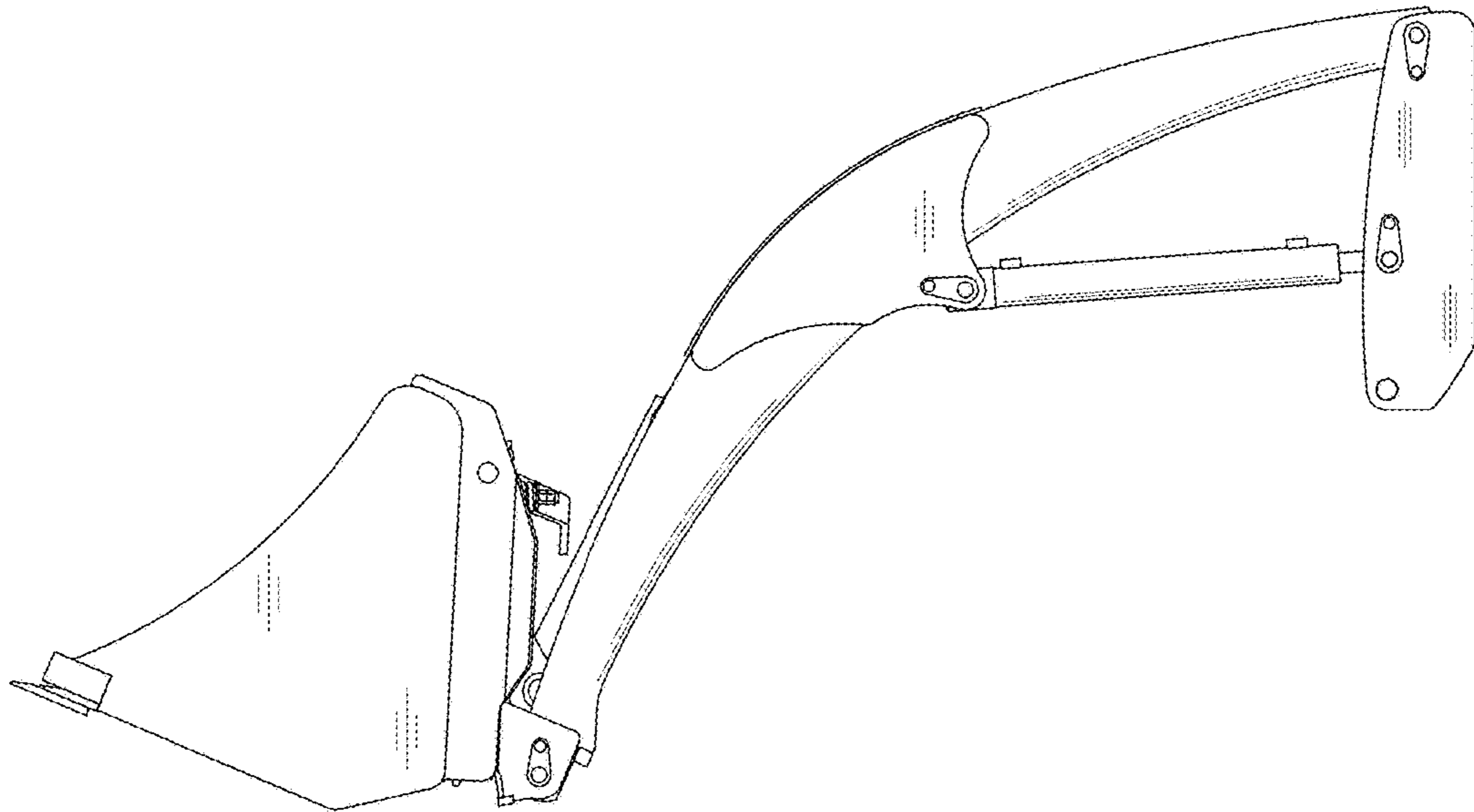


Fig.5

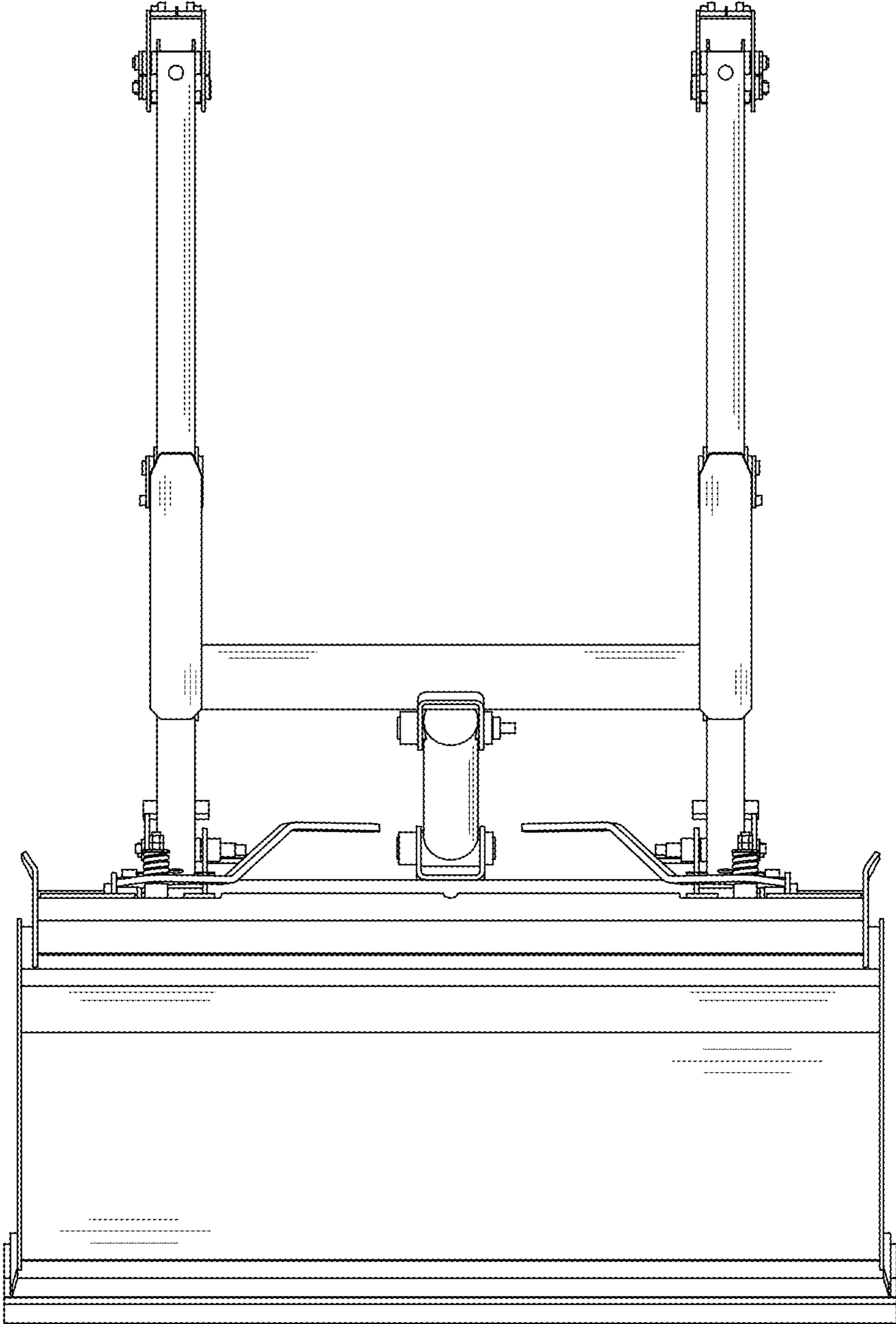


Fig.6

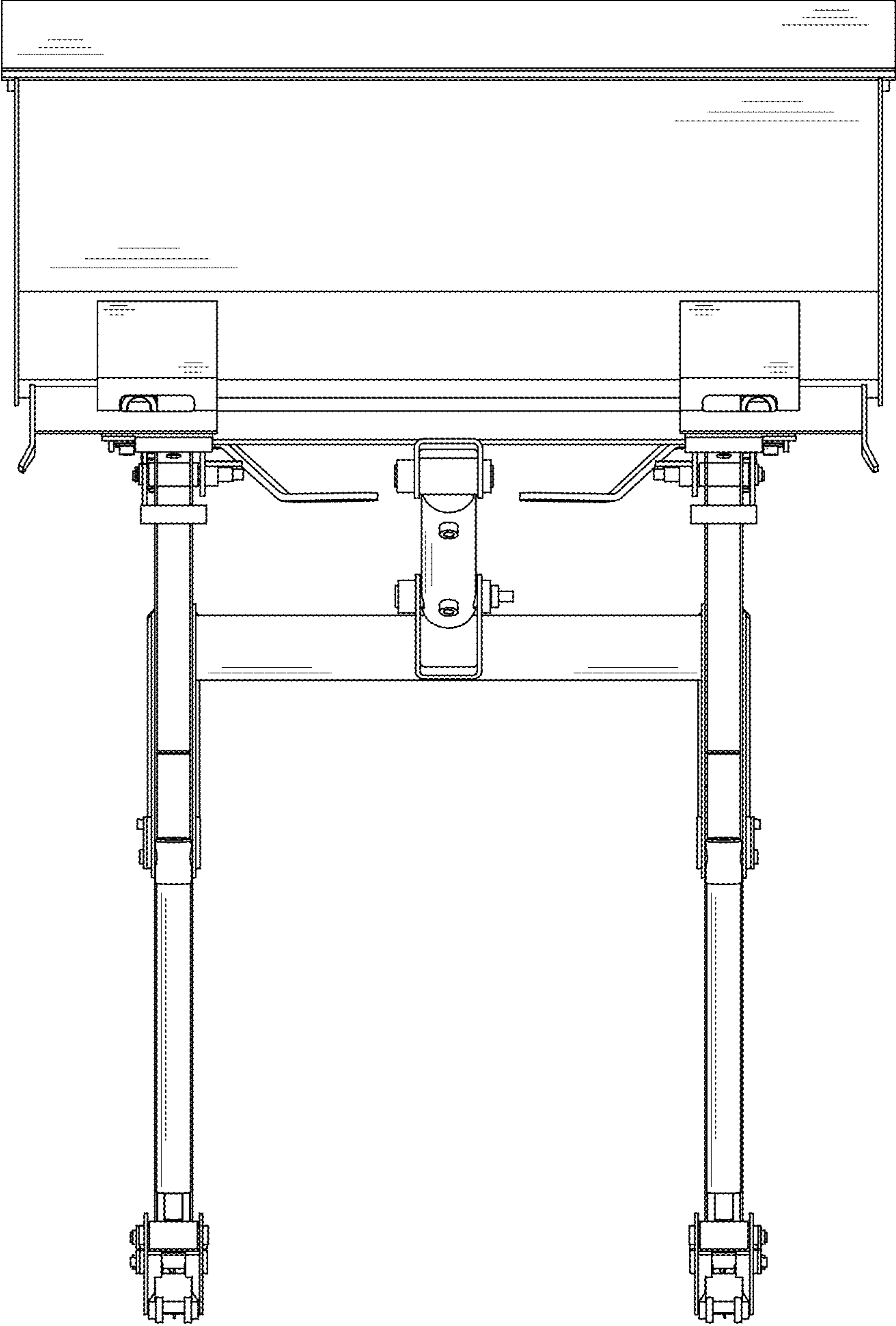


Fig.7

