



US00D807404S

(12) **United States Design Patent**  
**Mantes et al.**

(10) **Patent No.:** **US D807,404 S**  
(45) **Date of Patent:** **\*\* Jan. 9, 2018**

- (54) **PUMP**
- (71) Applicant: **Milwaukee Electric Tool Corporation**,  
Brookfield, WI (US)
- (72) Inventors: **Jonathan M. Mantes**, Franklin, WI  
(US); **Jason R. Crowe**, Wauwatosa, WI  
(US); **Jesus Misas**, Baltimore, MD  
(US); **Tin Pak Lee**, Tsuen Wan (HK)
- (73) Assignee: **MILWAUKEE ELECTRIC TOOL**  
**CORPORATION**, Brookfield, WI (US)
- (\*\*) Term: **15 Years**

D466,908 S *	12/2002	Poon .....	D15/7
D594,880 S *	6/2009	Austen .....	D15/7
D621,853 S *	8/2010	Sundheim .....	D15/7
D650,813 S *	12/2011	Varini .....	D15/7
D660,320 S *	5/2012	Varini .....	D15/7
D669,096 S *	10/2012	Katsura .....	D15/7
D678,339 S *	3/2013	Hughes .....	D15/7
D700,916 S *	3/2014	Kieffer .....	D15/7
D707,717 S *	6/2014	King .....	D15/7
D707,719 S *	6/2014	Kamijyo .....	D15/7
D725,153 S *	3/2015	Berry .....	D15/7
D727,363 S *	4/2015	Carpenter .....	D15/7
D743,444 S *	11/2015	Walsh .....	D15/7
D757,825 S *	5/2016	Chevallier .....	D15/7
D759,123 S *	6/2016	Van Dyke .....	D15/7

\* cited by examiner

- (21) Appl. No.: **29/598,564**
- (22) Filed: **Mar. 27, 2017**

*Primary Examiner* — Ralf Seifert  
(74) *Attorney, Agent, or Firm* — Michael Best &  
Friedrich LLP

**Related U.S. Application Data**

- (62) Division of application No. 29/564,812, filed on May 16, 2016, now Pat. No. Des. 788,180.
- (51) **LOC (11) Cl.** ..... **15-02**
- (52) **U.S. Cl.**  
USPC ..... **D15/7**
- (58) **Field of Classification Search**  
USPC ..... D15/7-9; D23/231, 232, 225; 417/60,  
417/235, 265, 321, 355, 358, 363, 359,  
417/410.1, 415-416, 405, 900, 269, 539;  
60/408, 412; 184/26-37; 415/140-147;  
123/495, 509; 137/565.34  
CPC ..... F02M 37/04; F02M 37/14; F04B 53/92;  
F04B 1/005  
See application file for complete search history.

(57) **CLAIM**

We claim the ornamental design for a pump, as shown and described.

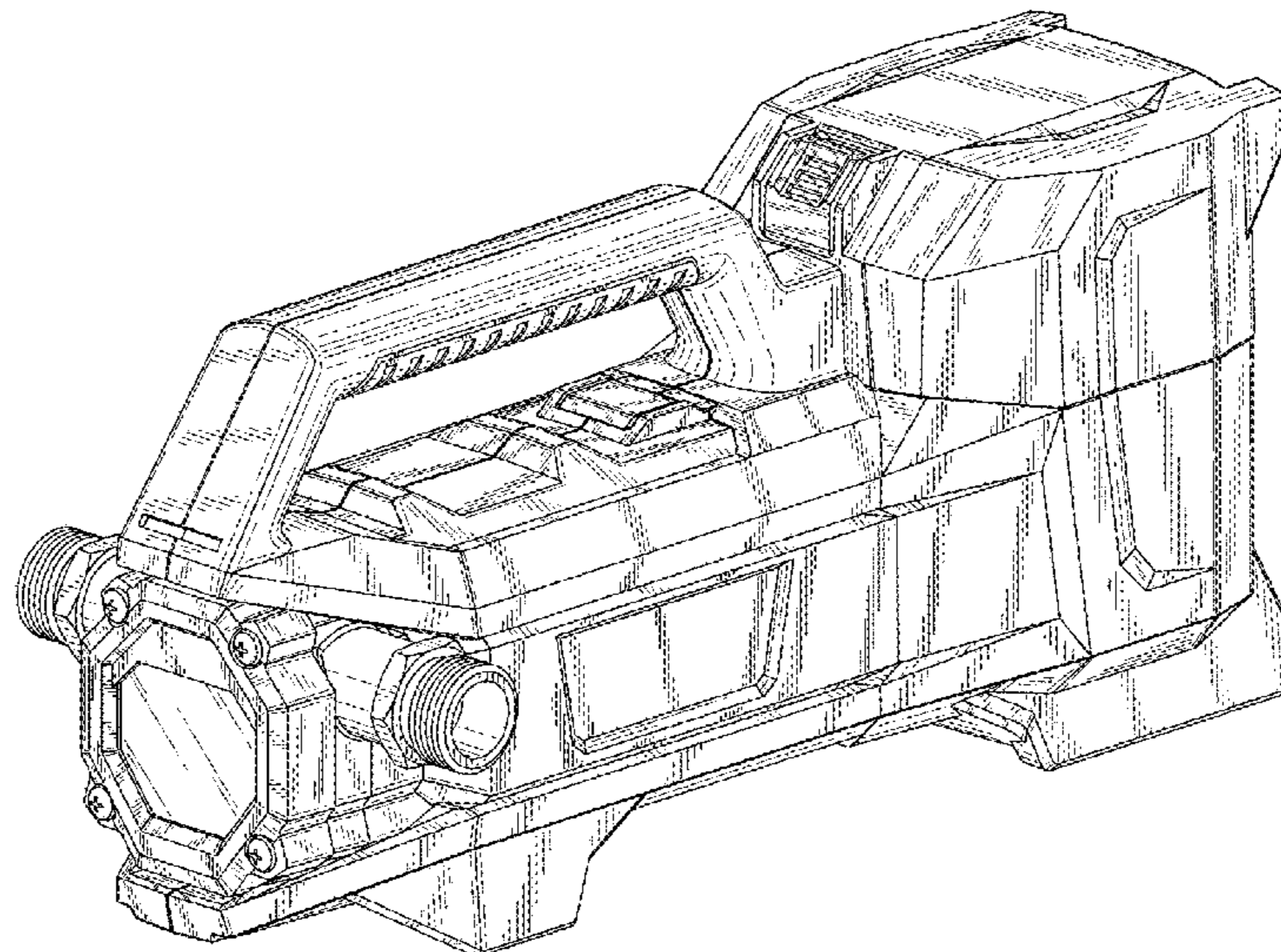
**DESCRIPTION**

FIG. 1 is a perspective view of a pump embodying the invention;  
FIG. 2 is a front view of the pump of FIG. 1;  
FIG. 3 is a rear view of the pump of FIG. 1;  
FIG. 4 is a left side view of the pump of FIG. 1;  
FIG. 5 is a right side view of the pump of FIG. 1;  
FIG. 6 is a top view of the pump of FIG. 1; and,  
FIG. 7 is a bottom view of the pump of FIG. 1.  
Elements shown in broken lines are included for the purpose of illustrating environment and form no part of the claimed design.

- (56) **References Cited**  
U.S. PATENT DOCUMENTS

D281,609 S *	12/1985	Herbst .....	D15/9
D453,524 S *	2/2002	Wu .....	D15/7

**1 Claim, 6 Drawing Sheets**



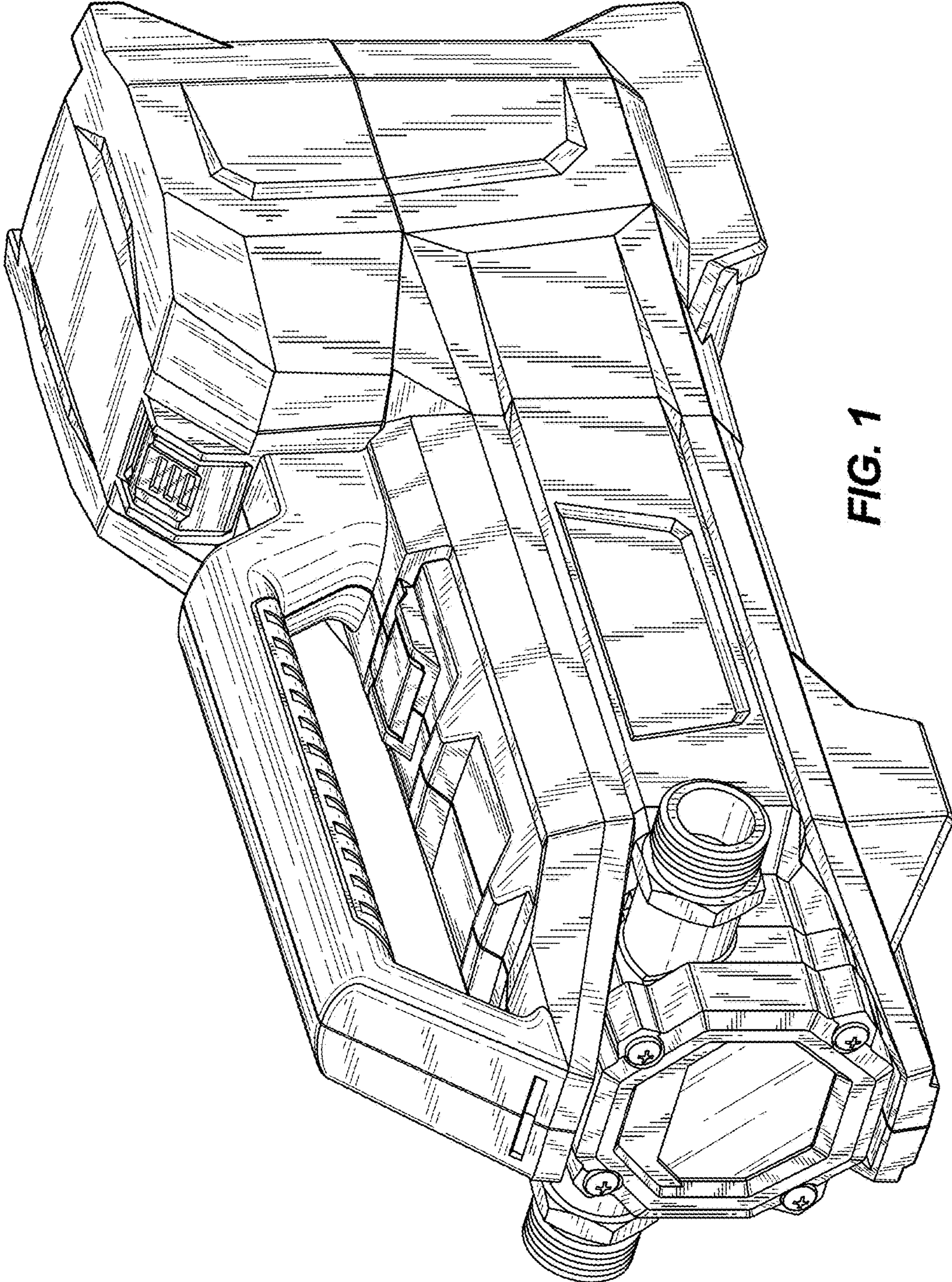
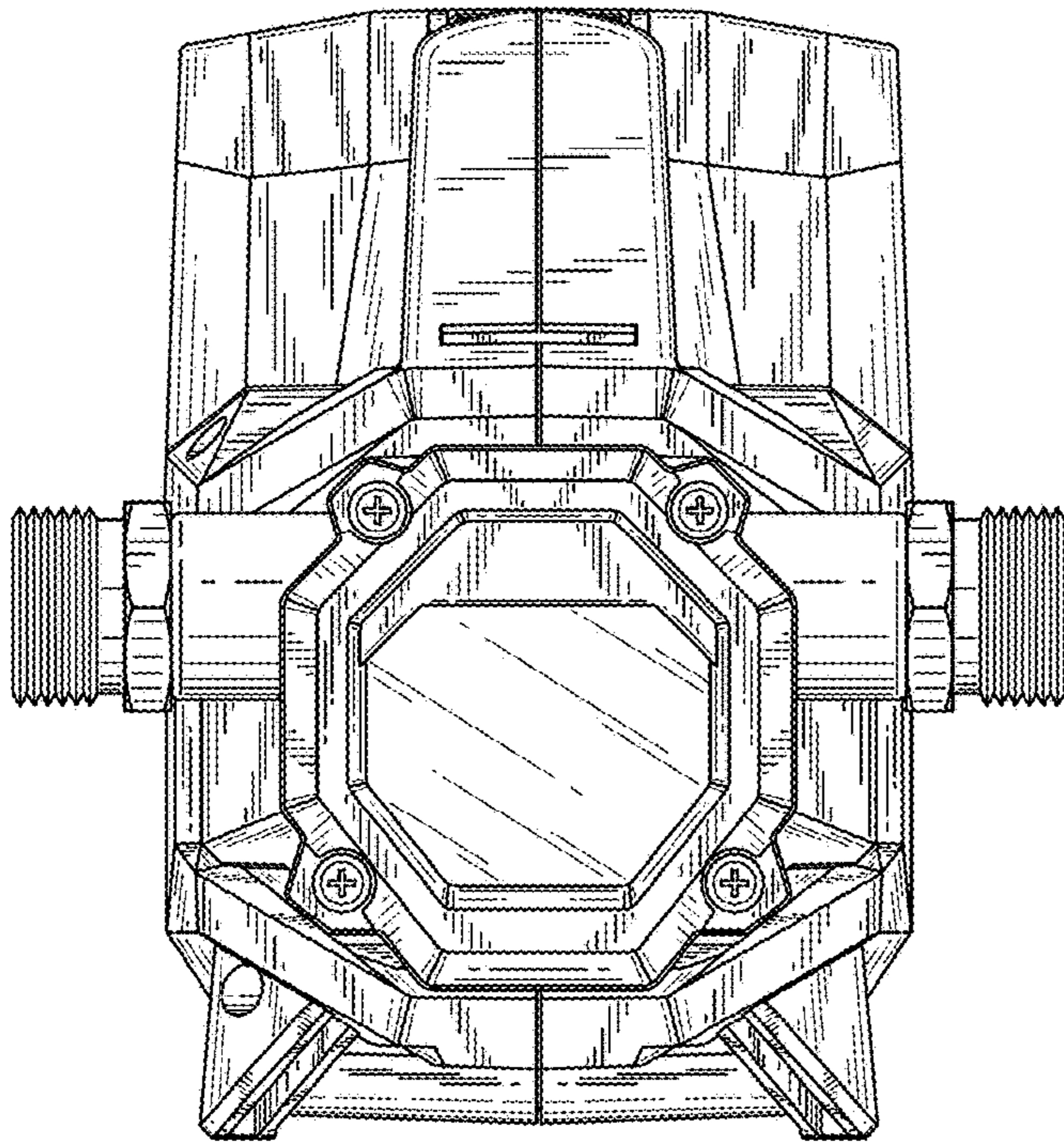
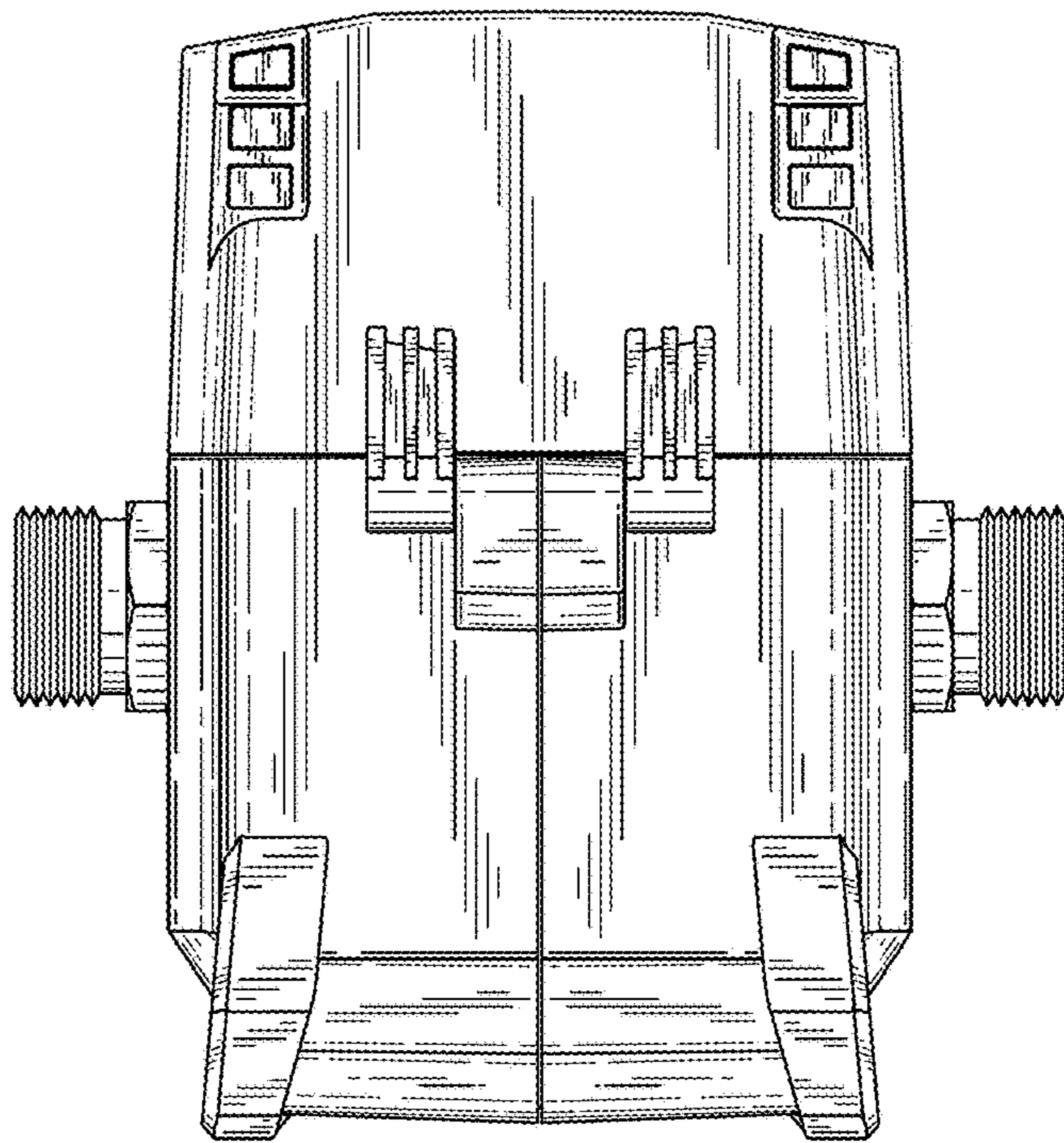


FIG. 1



**FIG. 2**



**FIG. 3**

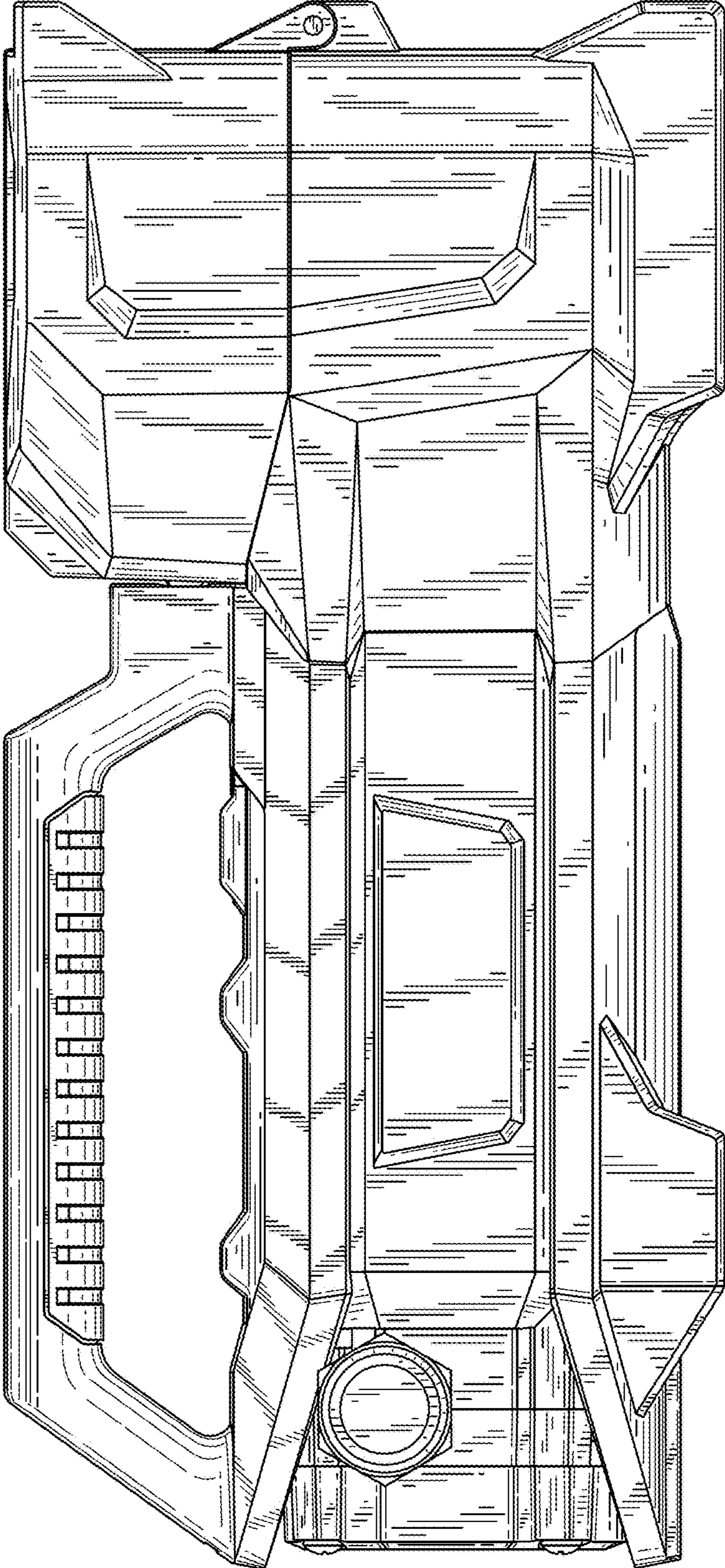


FIG. 4

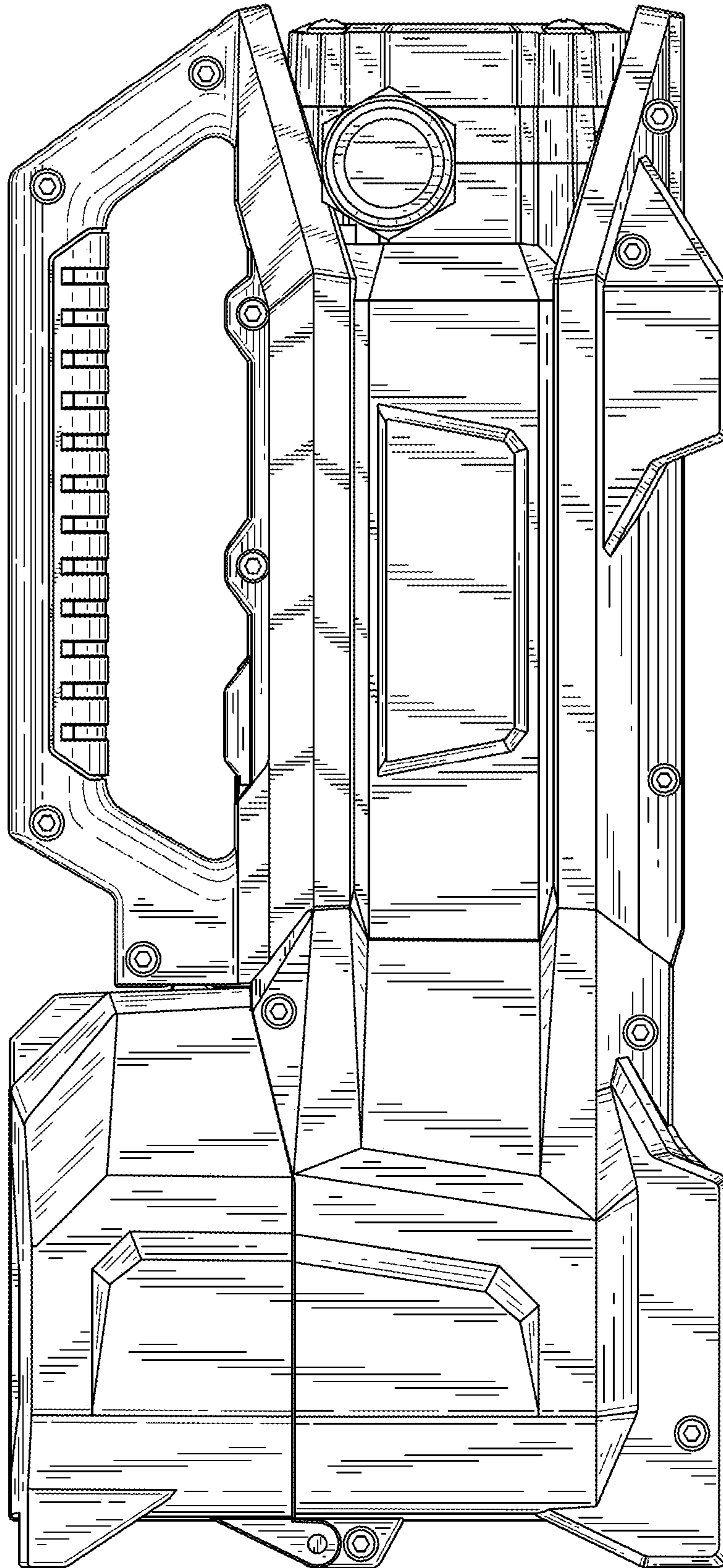


FIG. 5

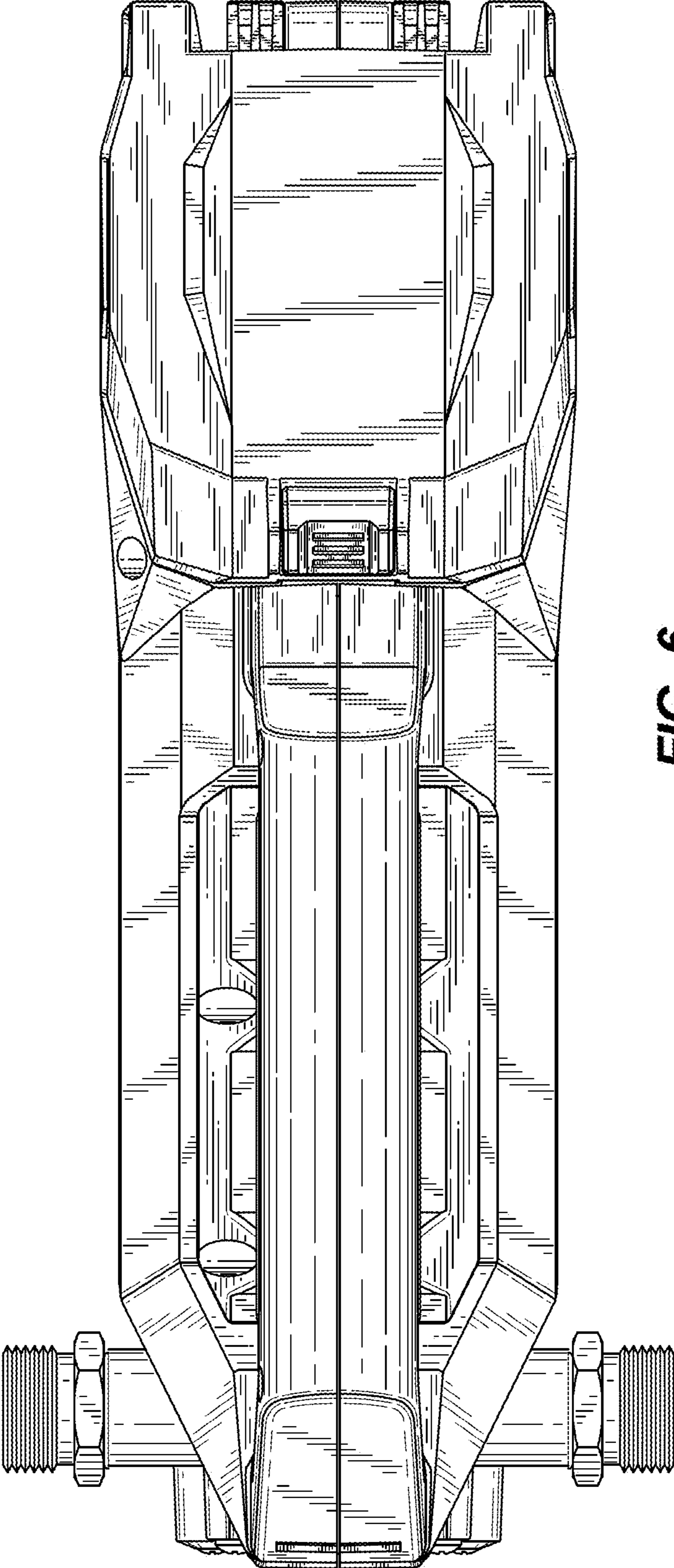


FIG. 6

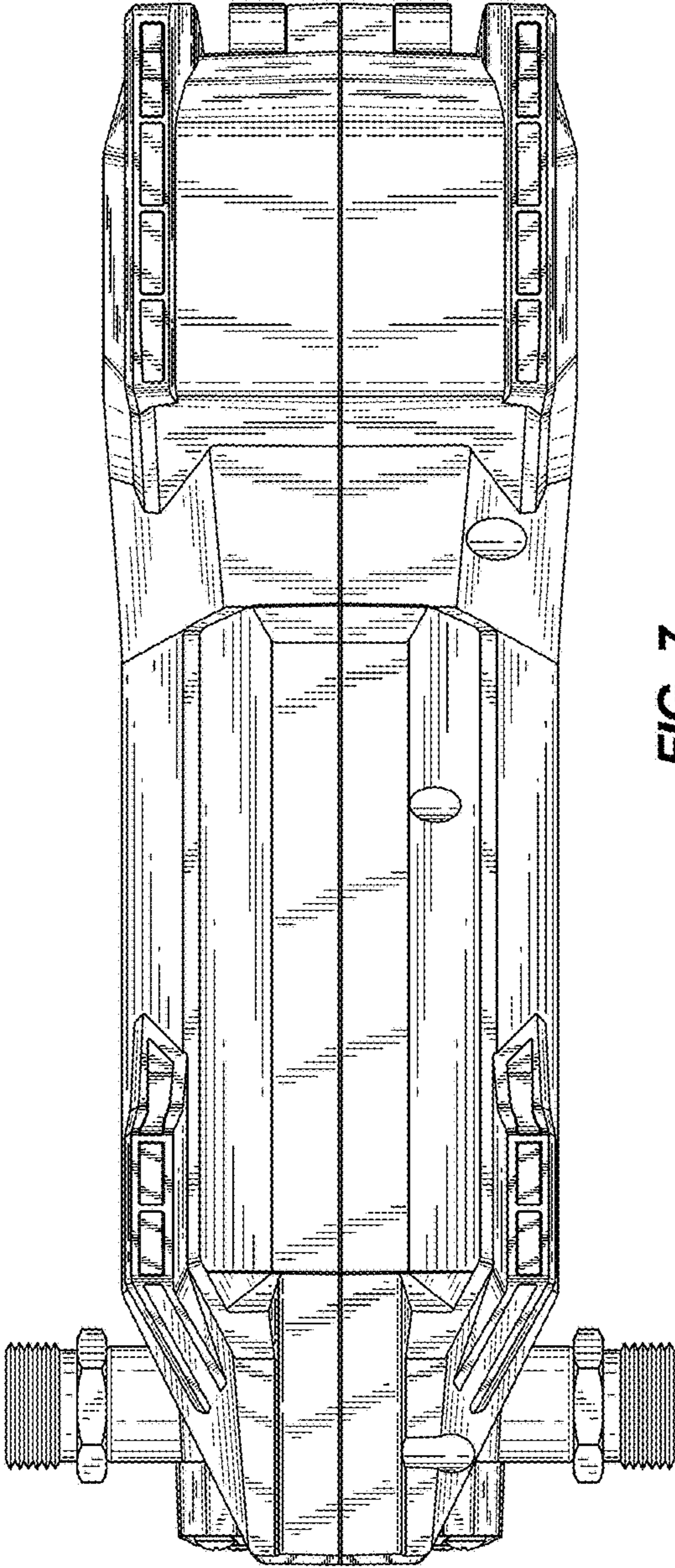


FIG. 7