



US00D807373S

(12) **United States Design Patent**
Thetard et al.

(10) **Patent No.:** **US D807,373 S**
(45) **Date of Patent:** **** Jan. 9, 2018**

(54) **MONITOR FLOATING ARM**

(71) Applicant: **Dell Products L.P.**, Round Rock, TX (US)
(72) Inventors: **Etienne Thetard**, Singapore (SG);
Toshiyuki Tanaka, Mendham, NJ (US);
Khang Chian Yong, Singapore (SG)
(73) Assignee: **Dell Products L.P.**, Round Rock, TX (US)

(**) Term: **15 Years**

(21) Appl. No.: **29/558,389**

(22) Filed: **Mar. 17, 2016**

(51) **LOC (11) Cl.** **08-07**

(52) **U.S. Cl.**
USPC **D14/452**

(58) **Field of Classification Search**
USPC D14/371-382, 125-129, 336, 337,
D14/447-452, 492, 335, 239, 457,
D14/439-441, 432, 251-253; D8/349,
D8/354, 363, 373, 376, 380; D21/333;
D12/415; D3/218; 348/180, 184, 325,
348/739, 825; 248/323, 278.1, 286.1
CPC G06F 3/0412; G06F 3/016; G06F 3/0488;
G06F 3/011; G06F 3/038; G06F 3/03543;
G06F 3/0338; G06F 3/0202; G06F
3/0219; G06F 3/0213; G06F 1/1616;
G06F 3/023; G06F 3/04883; G02F
1/13338; G02F 1/1313; G02F 1/1333;
G02F 1/135; G02F 1/132; G02F
1/133308; G02F 1/134309; G02F
1/13718; G09G 3/3648; G06K 15/1252;
B41J 2/465; G03F 7/70291; F16M 13/02;
F16M 13/00; F16M 11/10; F16M 11/04;
F16M 2200/08; F16M 11/2021; F16B
47/006; H02G 3/126; A47G 1/17; A47K
2201/00

See application file for complete search history.

(56) **References Cited**

U.S. PATENT DOCUMENTS

6,695,270 B1 * 2/2004 Smed F16M 11/10
248/274.1
7,389,965 B2 * 6/2008 Oddsen, Jr. F16M 11/10
248/274.1
8,070,114 B2 * 12/2011 Chen F16M 11/14
248/121
D654,503 S * 2/2012 Sapper D14/452
RE43,921 E * 1/2013 Smed F16M 11/10
248/124.1

(Continued)

Primary Examiner — Garth Rademaker

Assistant Examiner — Katie Stofko

(74) *Attorney, Agent, or Firm* — Terrile, Cannatti,
Chambers & Holland, LLP; Stephen A. Terrile

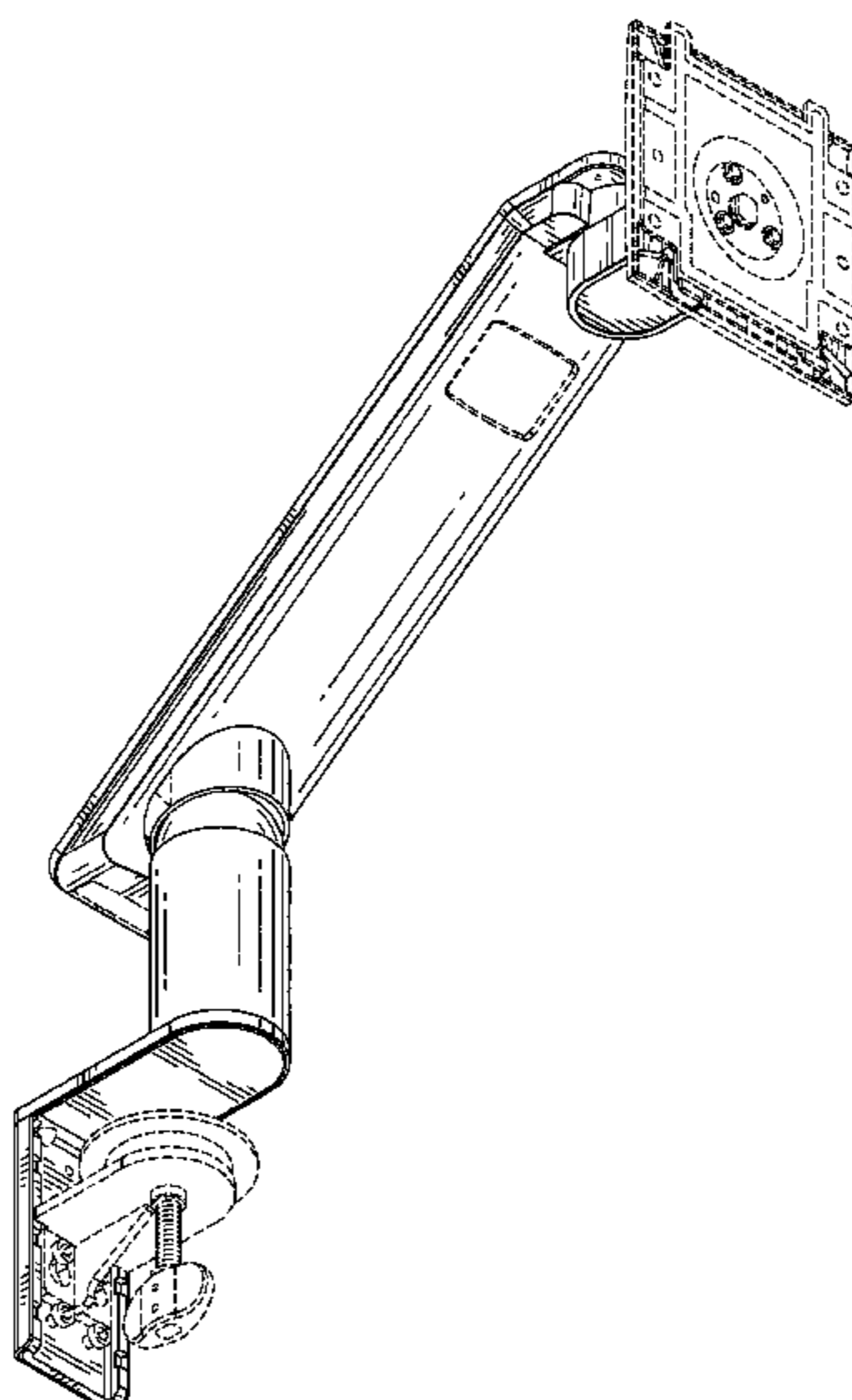
(57) **CLAIM**

We claim the ornamental design for the monitor floating arm, as shown and described.

DESCRIPTION

FIG. 1 is a rear perspective view of a monitor floating arm showing the present invention;
FIG. 2 is a front view thereof;
FIG. 3 is a rear view thereof in;
FIG. 4 is a right side view thereof;
FIG. 5 is a left side view thereof;
FIG. 6 is a top view thereof;
FIG. 7 is a bottom view thereof;
FIG. 8 is a bottom perspective view thereof; and,
FIG. 9 is a top perspective view thereof.
The broken lines shown in FIGS. 1-8 illustrate portions of the monitor floating arm that form no part of the claimed design. The broken lines illustrating the monitor and table in FIG. 9 illustrate portions of the monitor floating arm that form no part of the claimed design.

1 Claim, 7 Drawing Sheets



(56)

References Cited

U.S. PATENT DOCUMENTS

8,366,060	B2 *	2/2013	Hung	F16M 11/041 248/124.1
8,720,838	B2 *	5/2014	Bowman	F16M 11/18 248/280.11
8,777,172	B2 *	7/2014	Sapper	F16M 11/08 248/274.1
D740,830	S *	10/2015	Chu	D14/452
2006/0157627	A1 *	7/2006	Hung	F16C 11/10 248/276.1
2007/0139870	A1 *	6/2007	Lin	F16M 11/10 361/679.22
2009/0090831	A1 *	4/2009	Henning	F16C 11/10 248/278.1
2011/0303805	A1 *	12/2011	Lau	F16M 11/126 248/125.8

* cited by examiner

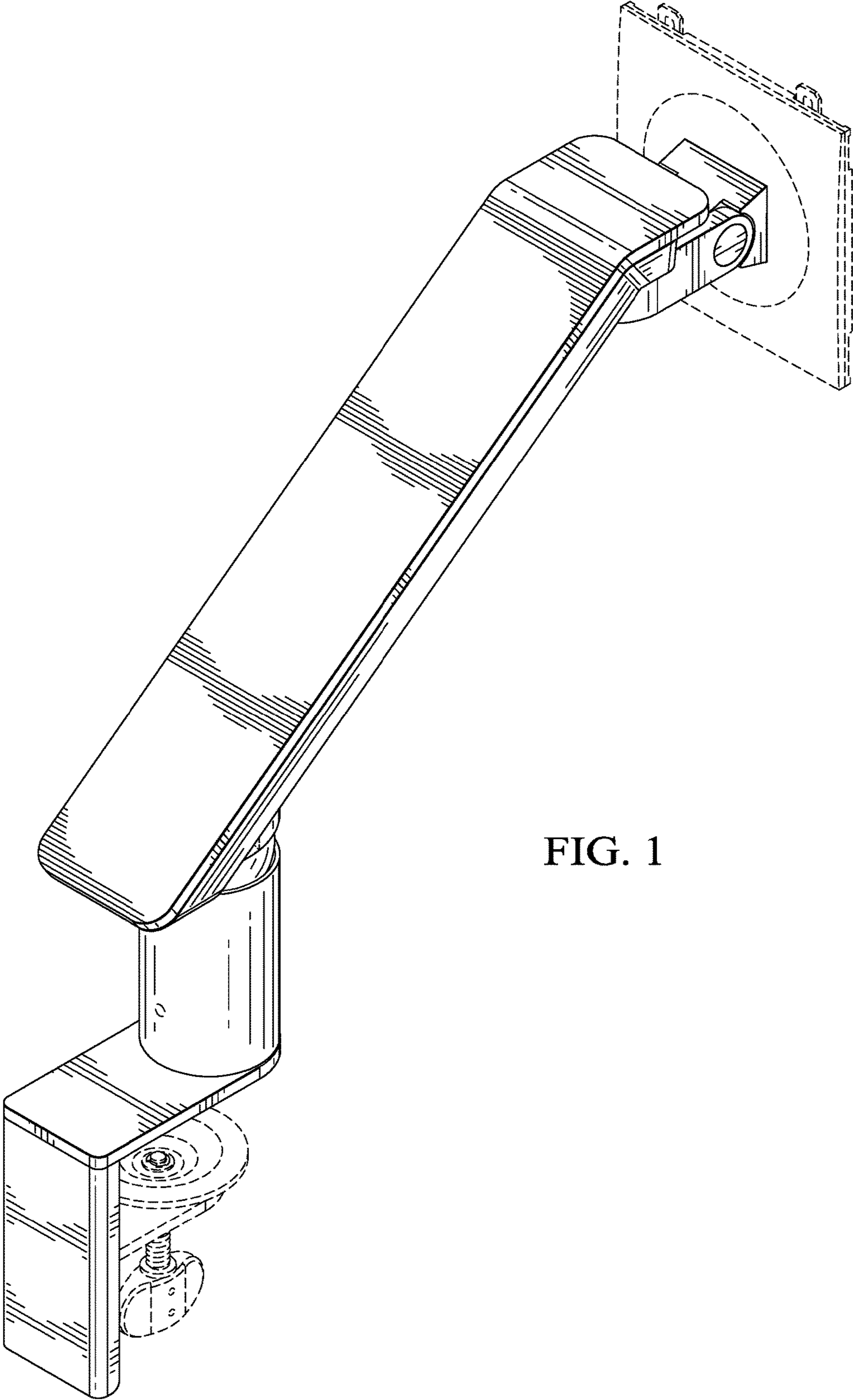


FIG. 1

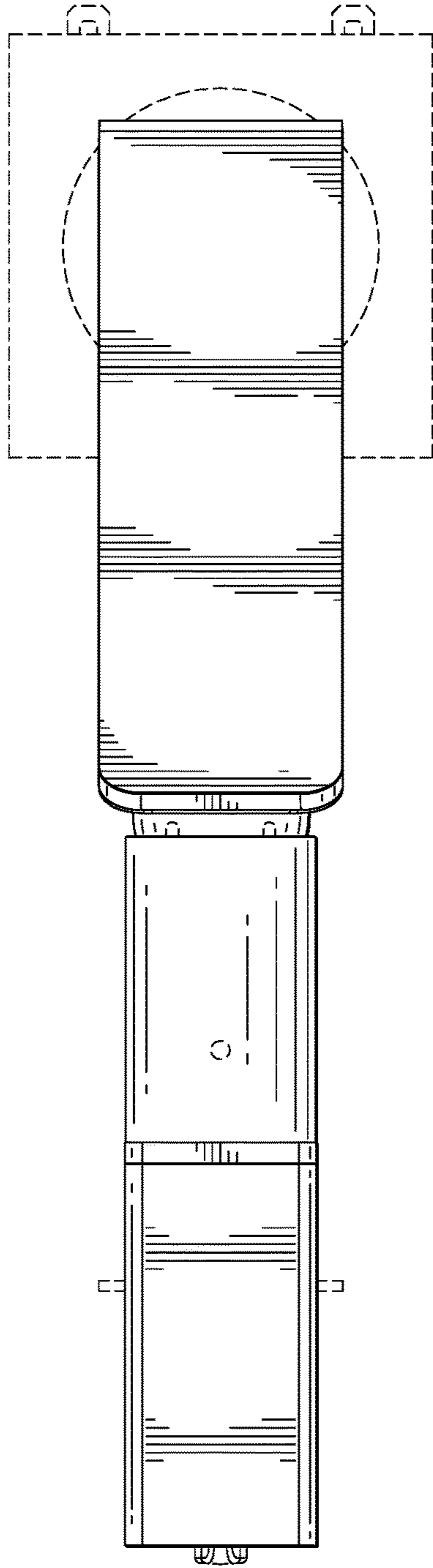


FIG. 2

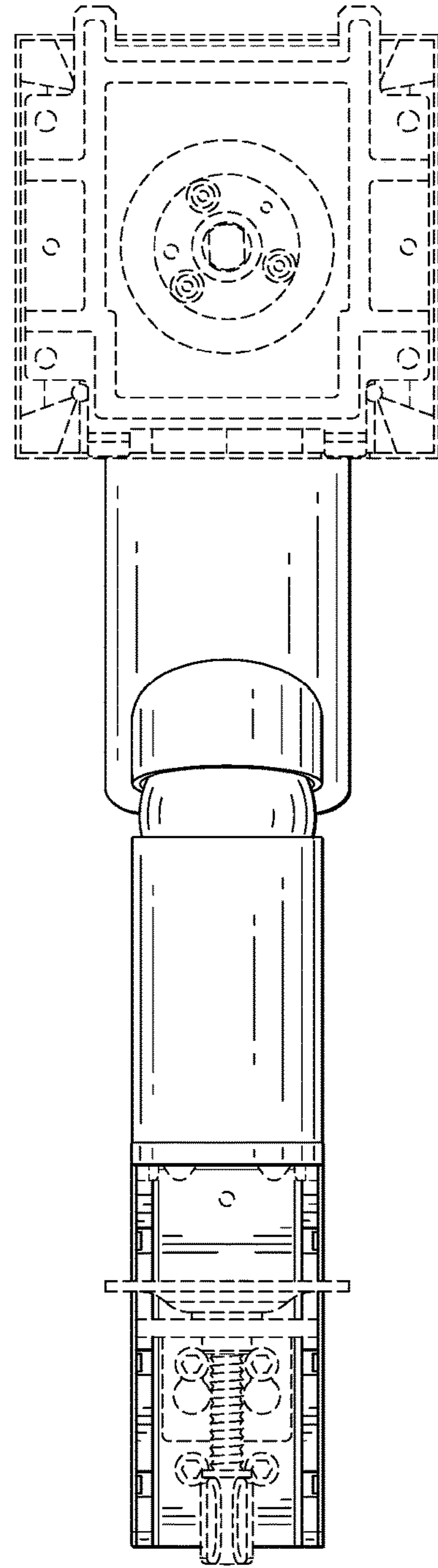


FIG. 3

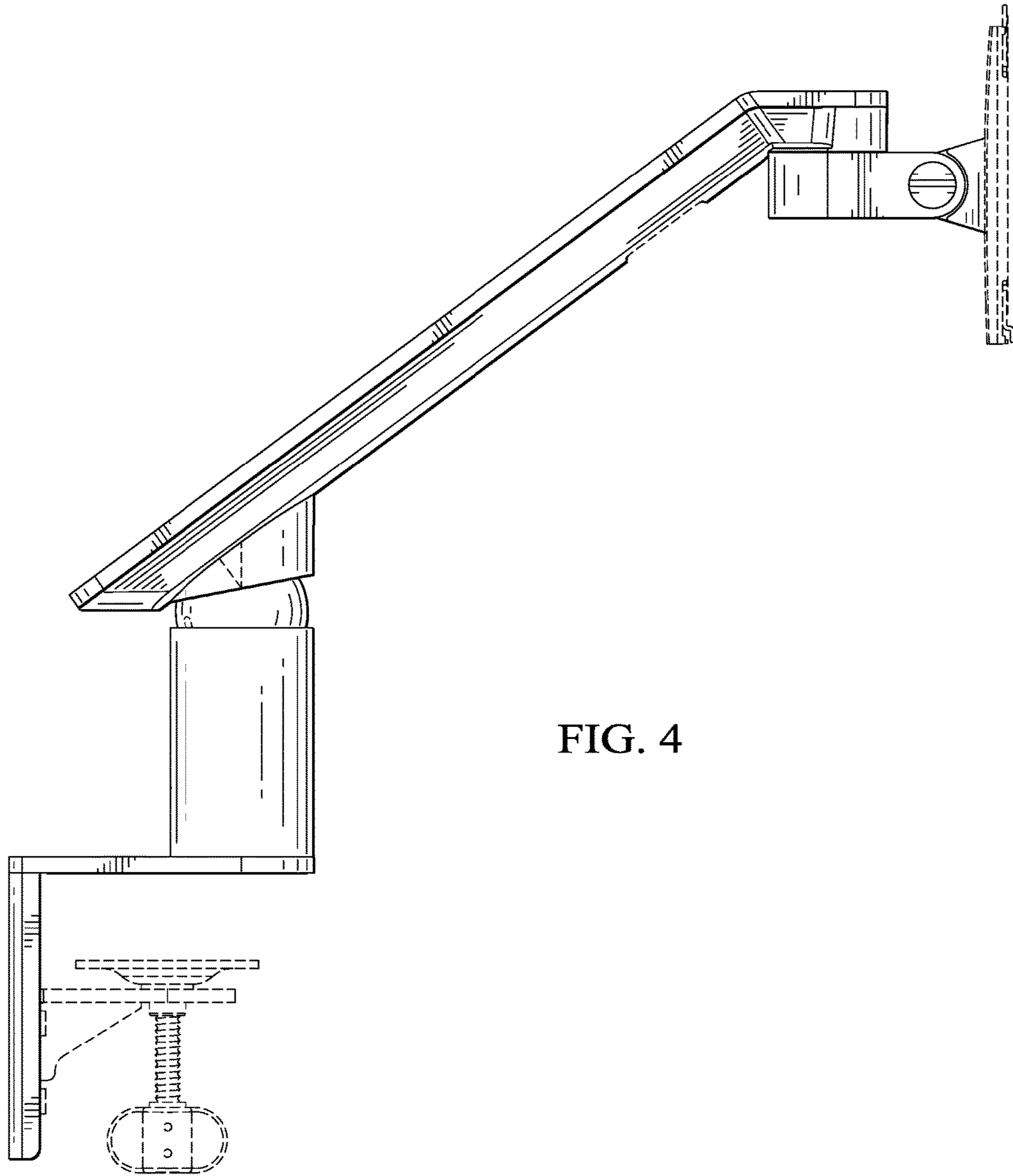


FIG. 4

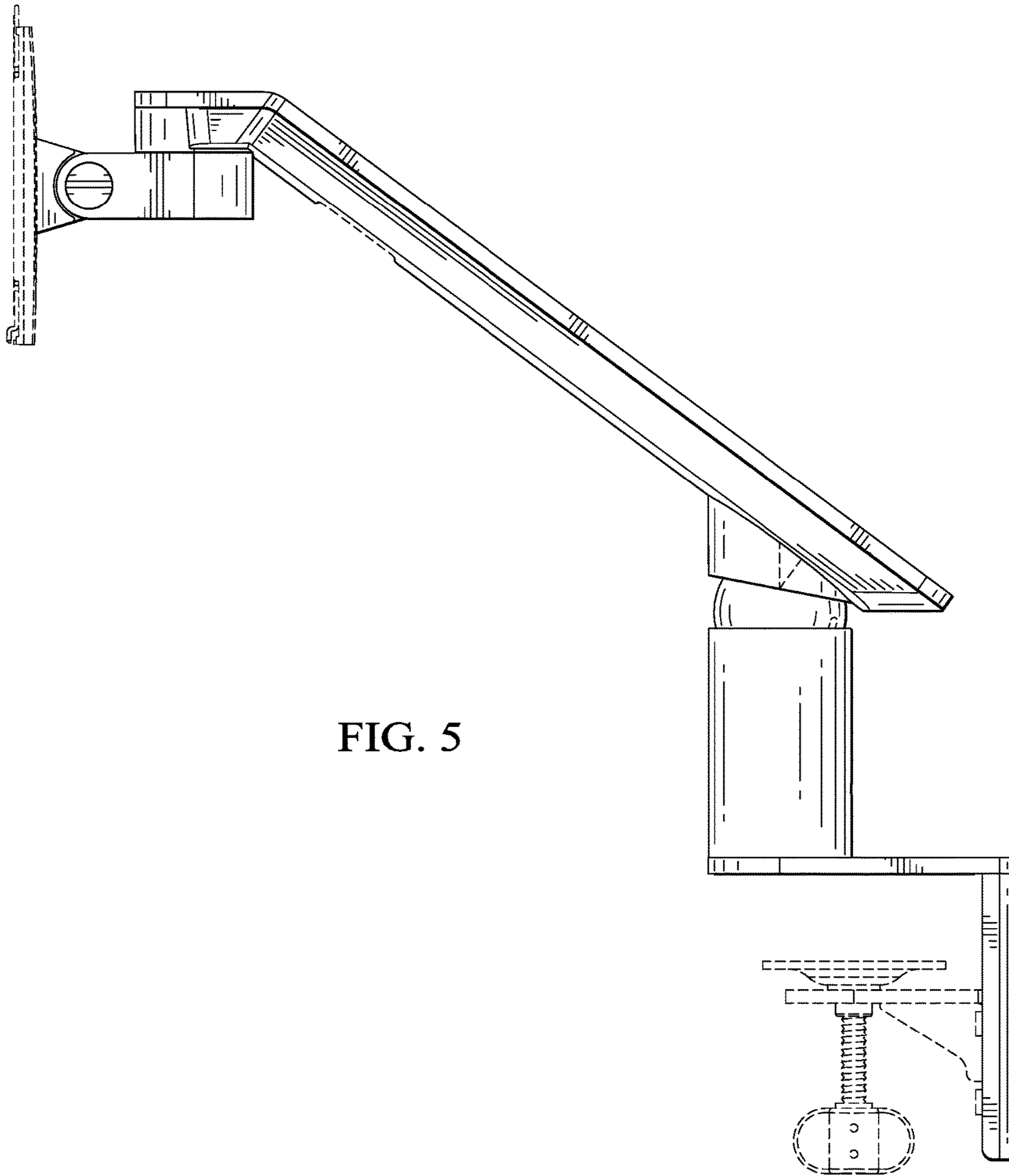


FIG. 5

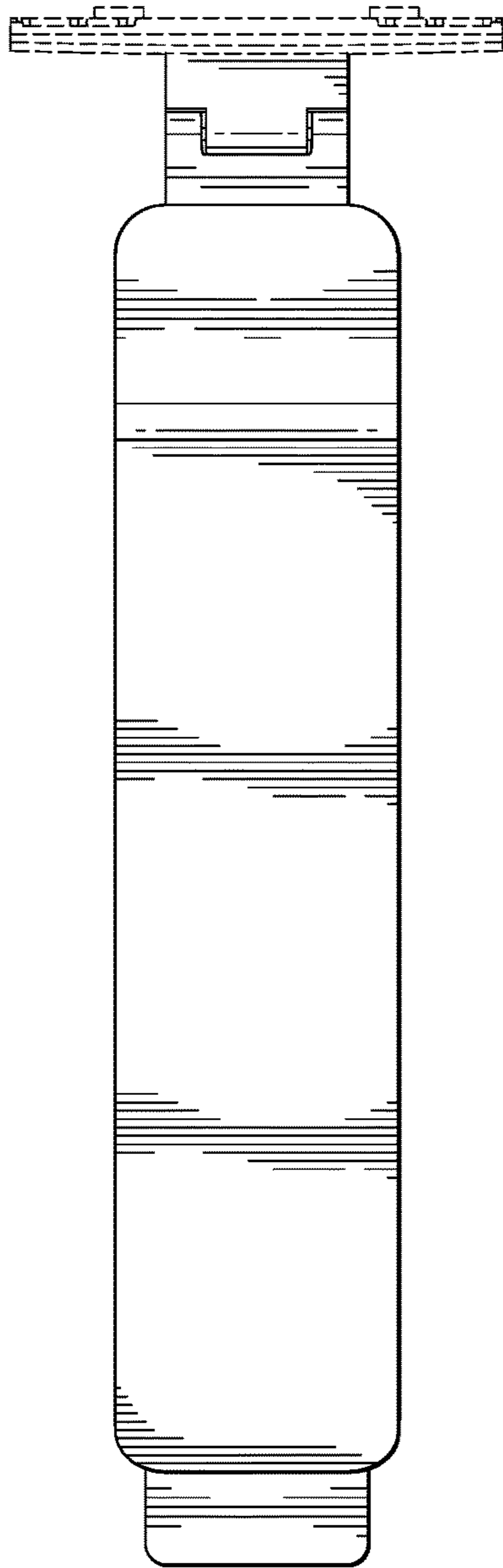


FIG. 6

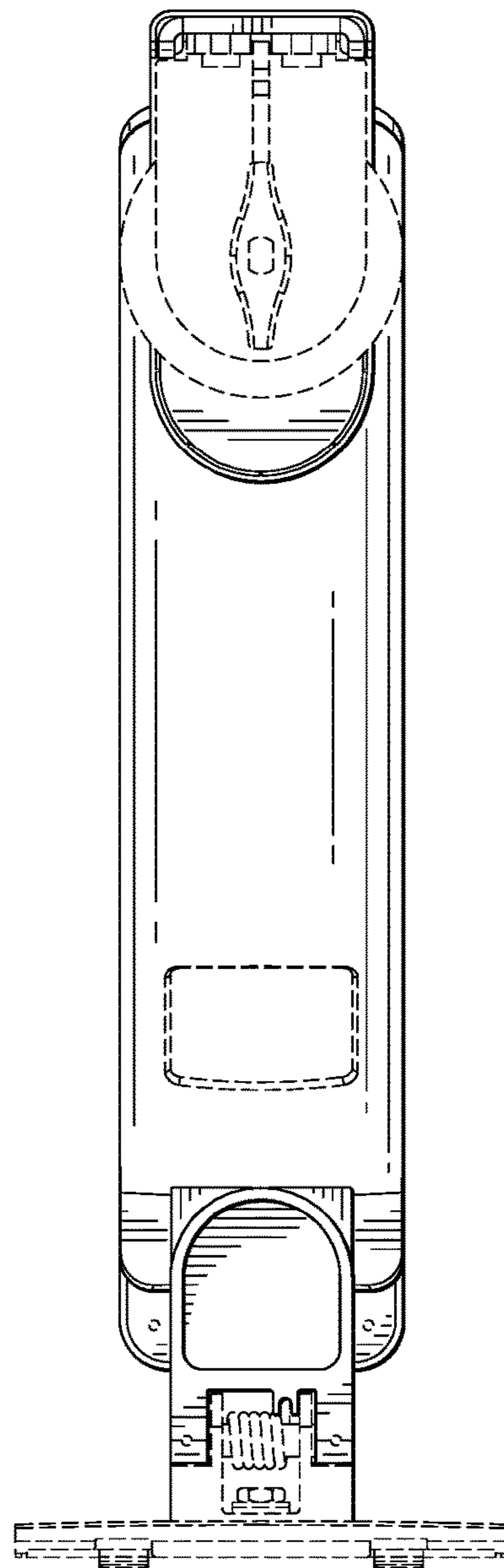


FIG. 7

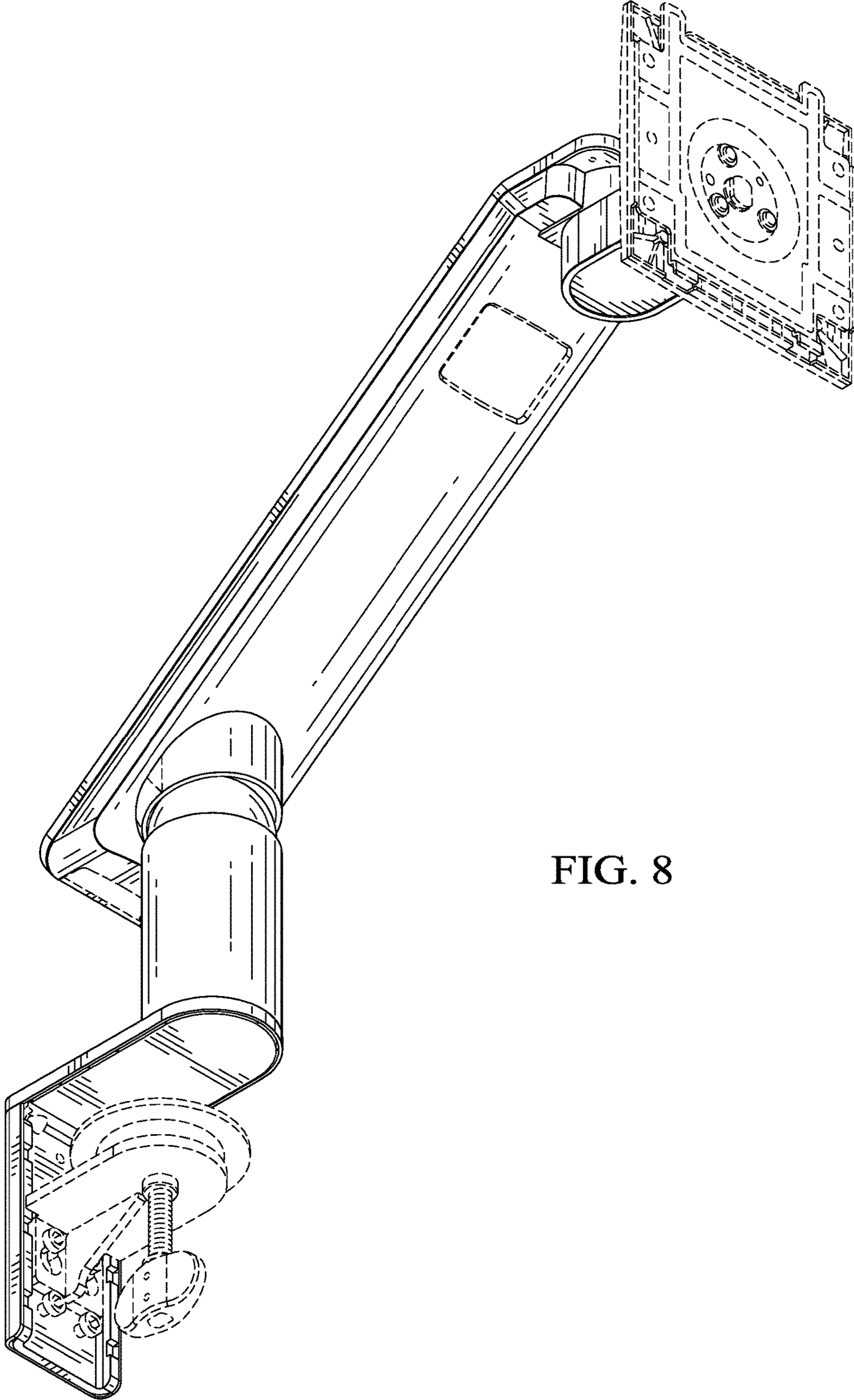


FIG. 8

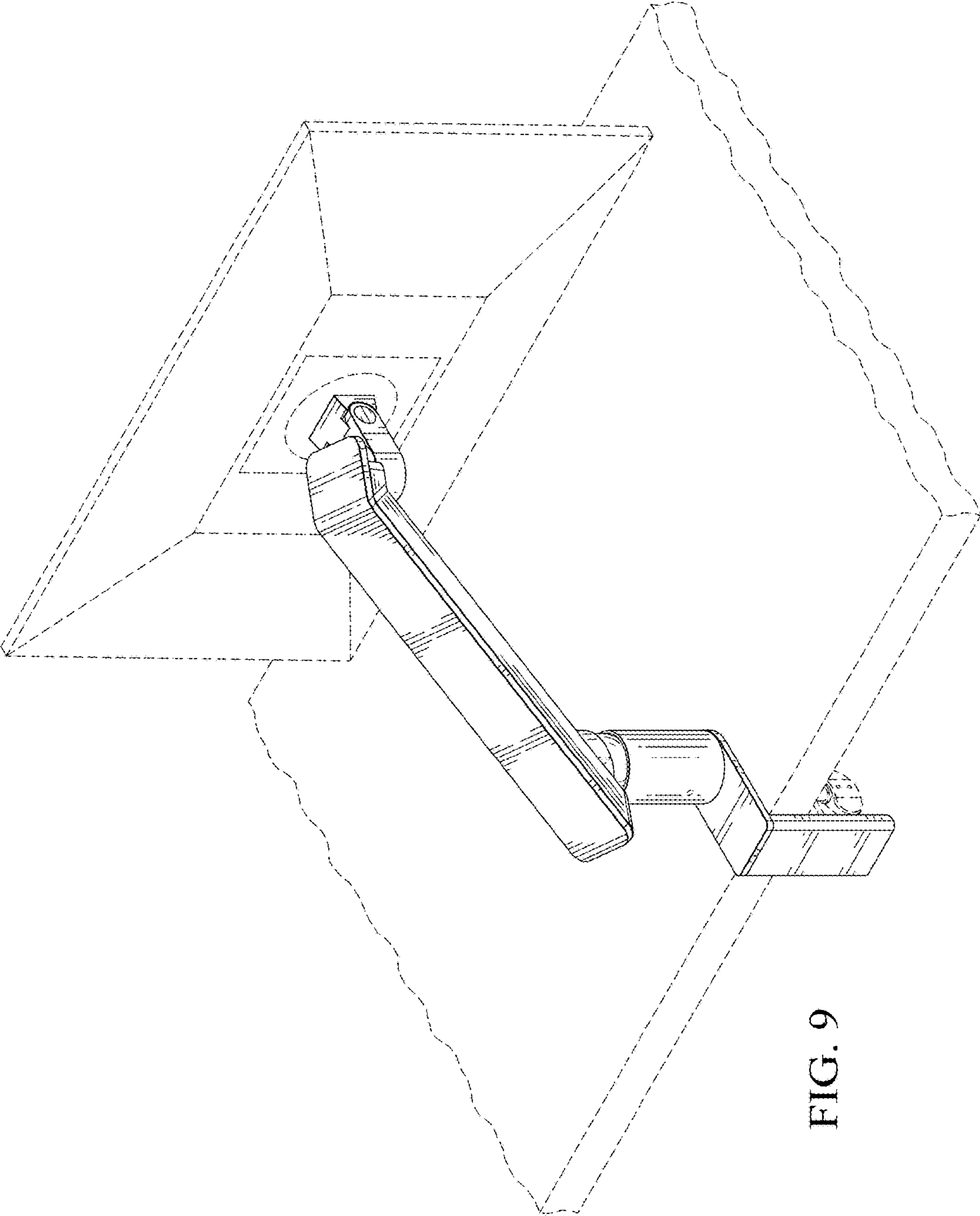


FIG. 9