



US00D807370S

(12) **United States Design Patent**  
**Chen**

(10) **Patent No.:** **US D807,370 S**  
(45) **Date of Patent:** **\*\* Jan. 9, 2018**

(54) **PROTECTIVE CASE WITH STAND FOR  
TABLET COMPUTER**

(71) Applicant: **Dongguan YIHE Silicone&Rubber  
Technology Co., Ltd., Guangdong  
(CN)**

(72) Inventor: **Ling Chen, Guangdong (CN)**

(\*\*) Term: **15 Years**

(21) Appl. No.: **29/609,031**

(22) Filed: **Jun. 27, 2017**

(30) **Foreign Application Priority Data**

Mar. 22, 2017 (CN) ..... 2017 3 0087114

(51) **LOC (11) Cl.** ..... **14-02**

(52) **U.S. Cl.**  
USPC ..... **D14/440**

(58) **Field of Classification Search**  
USPC ..... D14/440, 42, 300, 447, 250; 206/45.23,  
206/320, 45.2; 361/679.55; 294/25;  
224/218

CPC .... G06F 1/1628; G06F 1/1626; G06F 1/1669;  
A47B 23/044; H04B 1/3888

See application file for complete search history.

(56) **References Cited**

**U.S. PATENT DOCUMENTS**

- 6,726,070 B2 \* 4/2004 Lautner ..... A44C 5/0007  
224/221
- D492,303 S \* 6/2004 Schlieffers ..... D14/341
- D591,801 S \* 5/2009 Mak ..... D21/469
- D594,004 S \* 6/2009 Takemasa ..... D14/341
- D611,467 S \* 3/2010 Gou ..... D14/315
- D613,285 S \* 4/2010 Grant ..... D14/341
- D626,123 S \* 10/2010 Peng ..... D14/324
- D676,449 S \* 2/2013 Probst ..... D14/440
- D685,376 S \* 7/2013 Kim ..... D14/439

- D689,056 S \* 9/2013 Li ..... D14/440
- D690,704 S \* 10/2013 Padilla ..... D14/440
- D691,144 S \* 10/2013 Peters ..... D14/440
- D694,246 S \* 11/2013 Park ..... D14/440
- D701,511 S \* 3/2014 He ..... D14/447
- D703,672 S \* 4/2014 Kim ..... D14/440
- 8,690,210 B1 \* 4/2014 May ..... A45F 5/00  
224/217
- D712,412 S \* 9/2014 Bleau ..... D14/440
- D721,075 S \* 1/2015 Toda ..... D14/342
- D721,376 S \* 1/2015 Lee ..... D14/440
- D725,659 S \* 3/2015 Tussy ..... D14/440
- D727,917 S \* 4/2015 Yeo ..... D14/440
- D733,154 S \* 6/2015 Armstrong ..... D14/440
- D741,335 S \* 10/2015 Bastian ..... D14/440
- D747,321 S \* 1/2016 London ..... D14/440
- D749,592 S \* 2/2016 Huang ..... D14/440

(Continued)

*Primary Examiner* — Cynthia Underwood

(74) *Attorney, Agent, or Firm* — Prakash Nama; Global  
IP Services, PLLC

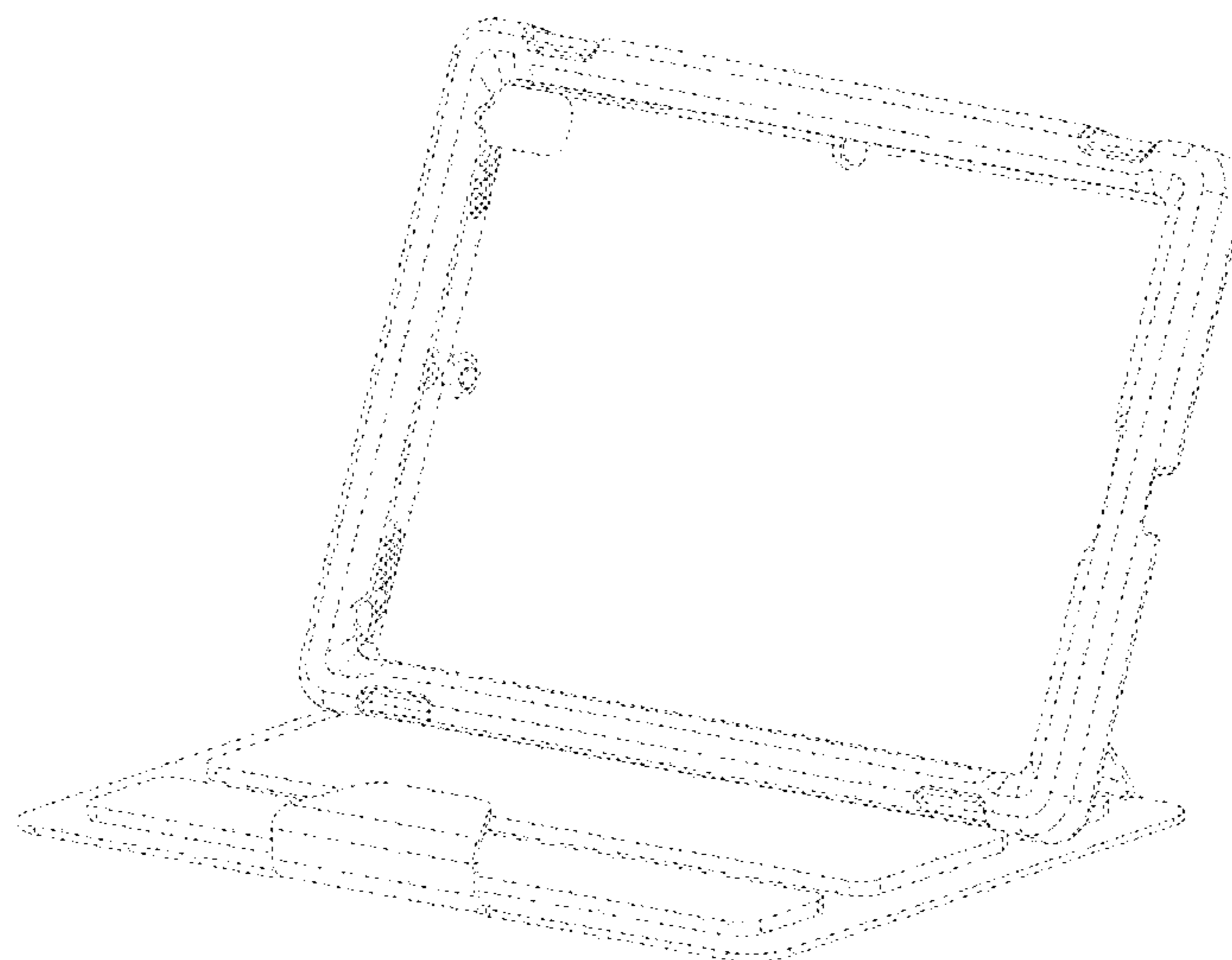
(57) **CLAIM**

The ornamental design for a protective case with stand for  
tablet computer, as shown.

**DESCRIPTION**

FIG. 1 is a front elevational view of a protective case with  
stand for tablet computer showing my new design;  
FIG. 2 is a rear elevational view thereof;  
FIG. 3 is a left side view thereof;  
FIG. 4 is a right side view thereof;  
FIG. 5 is a top plan view thereof;  
FIG. 6 is a bottom plan view thereof;  
FIG. 7 is a perspective view thereof;  
FIG. 8 is a second perspective view thereof;  
FIG. 9 is a third perspective view shown with the stand in  
an open position; and,  
FIG. 10 is a fourth perspective view shown with the stand in  
an open position.

**1 Claim, 5 Drawing Sheets**



(56)

References Cited

U.S. PATENT DOCUMENTS

D752,052 S \* 3/2016 Park ..... D14/440  
 D763,853 S \* 8/2016 Pearce ..... D14/440  
 D765,085 S \* 8/2016 Moore ..... D14/440  
 9,407,743 B1 \* 8/2016 Hirshberg ..... H04M 1/04  
 D766,249 S \* 9/2016 Veltz ..... D14/440  
 D771,030 S \* 11/2016 Tussy ..... D14/250  
 D771,053 S \* 11/2016 Spollen ..... D14/440  
 D779,494 S \* 2/2017 Hallier ..... D14/252  
 D784,350 S \* 4/2017 Li ..... D14/440  
 D794,625 S \* 8/2017 Armstrong ..... D14/250  
 D797,106 S \* 9/2017 Paolizzi ..... D14/426  
 2004/0226973 A1 \* 11/2004 Kao ..... F16M 11/041  
 2006/0007645 A1 \* 1/2006 Chen ..... G06F 1/1626  
 2007/0215512 A1 \* 9/2007 Bellissimo ..... A47G 23/0625  
 2009/0219677 A1 \* 9/2009 Mori ..... A45F 3/14

2011/0267748 A1 \* 11/2011 Lane ..... A45F 5/00  
 361/679.01  
 2011/0309117 A1 \* 12/2011 Roberts ..... A45F 5/00  
 224/217  
 2012/0091312 A1 \* 4/2012 Baker ..... F16M 13/00  
 248/682  
 2014/0054910 A1 \* 2/2014 Kim ..... H04B 1/385  
 294/158  
 2014/0152034 A1 \* 6/2014 Tussy ..... F16M 13/04  
 294/142  
 2015/0009610 A1 \* 1/2015 London ..... G06F 1/163  
 361/679.03  
 2015/0068934 A1 \* 3/2015 Armstrong ..... A45C 11/00  
 206/320  
 2015/0201743 A1 \* 7/2015 Erickson-Davis ..... A45F 5/00  
 224/218  
 2015/0296060 A1 \* 10/2015 Gu ..... H04M 1/0235  
 455/575.4  
 2017/0045920 A1 \* 2/2017 Armstrong ..... G06F 1/1669

\* cited by examiner

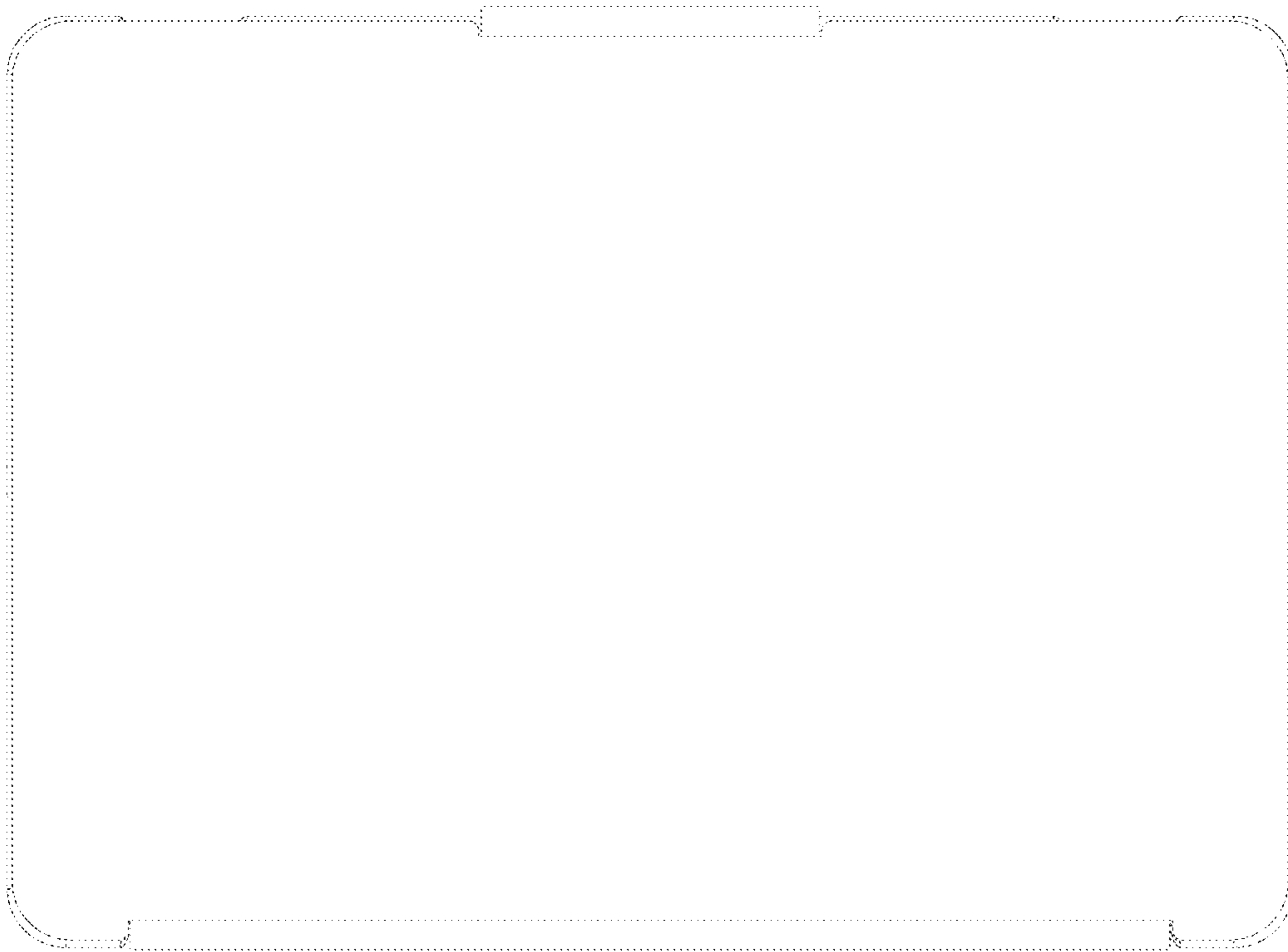


FIG. 1

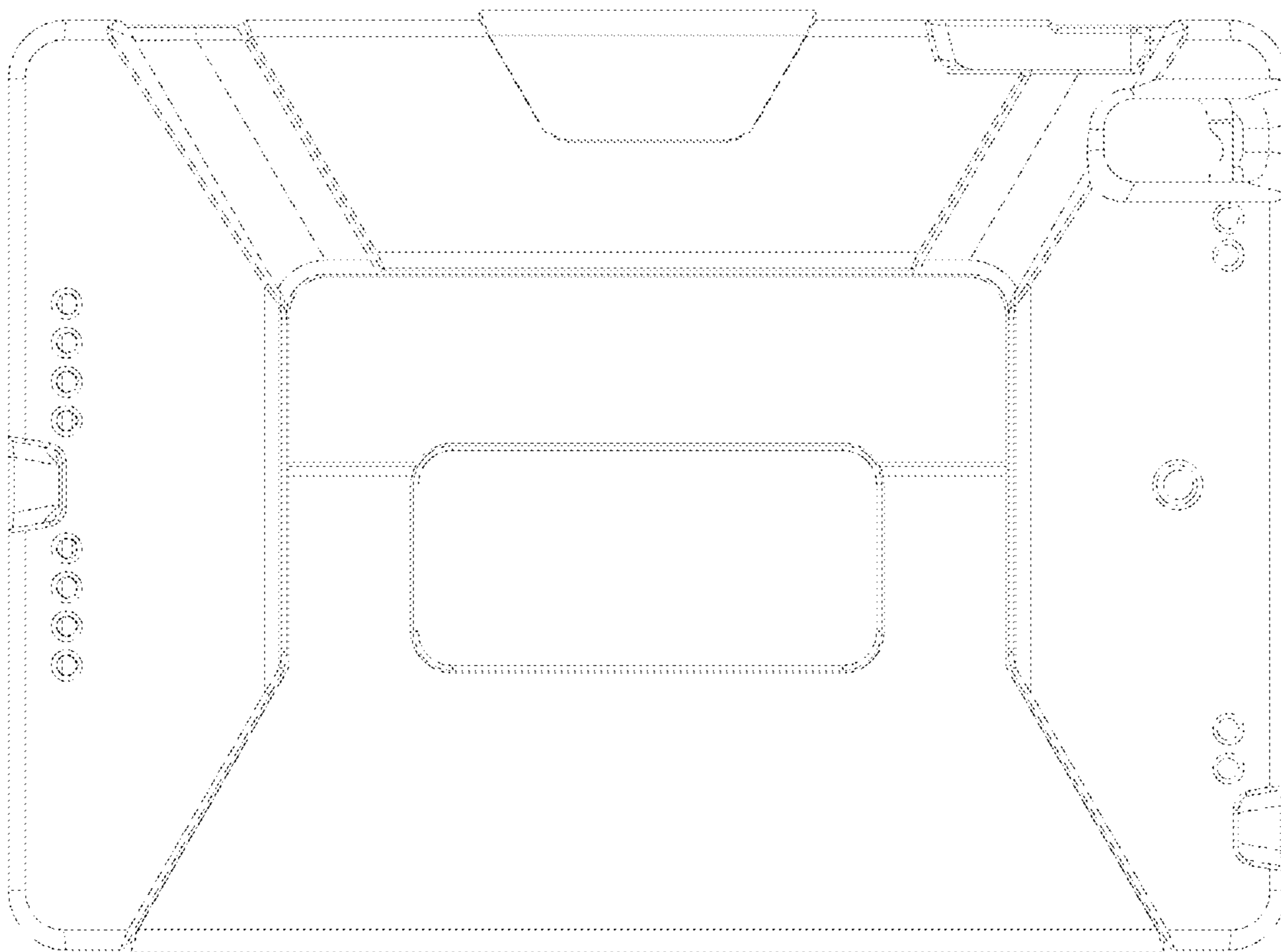


FIG. 2

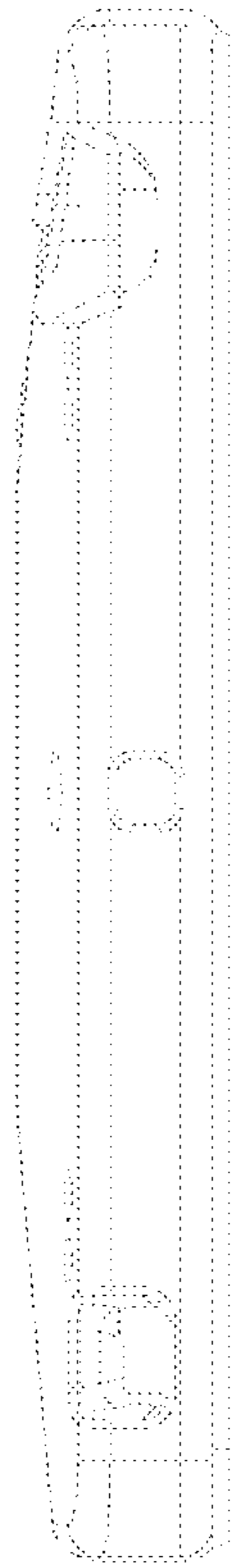


FIG. 3

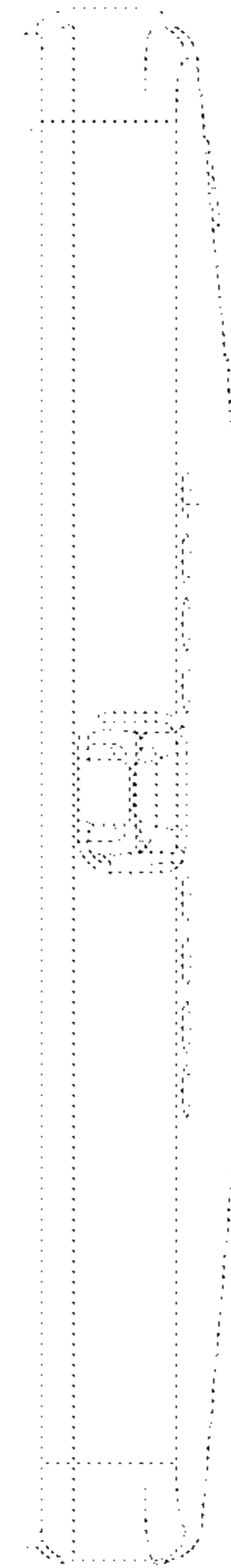


FIG. 4

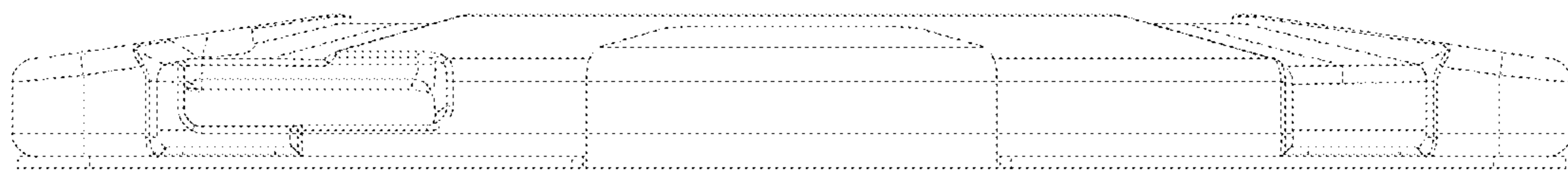


FIG. 5

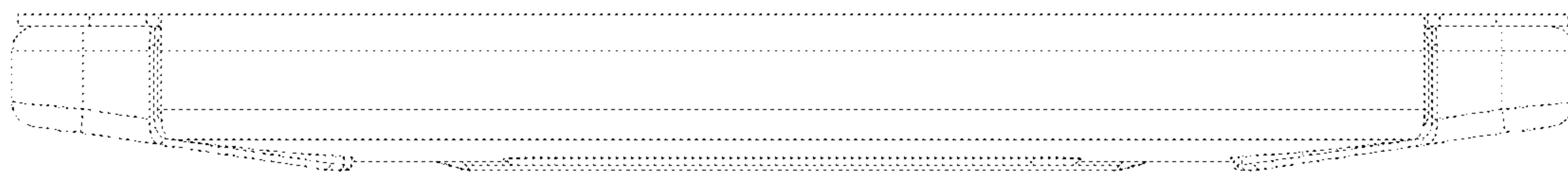


FIG. 6

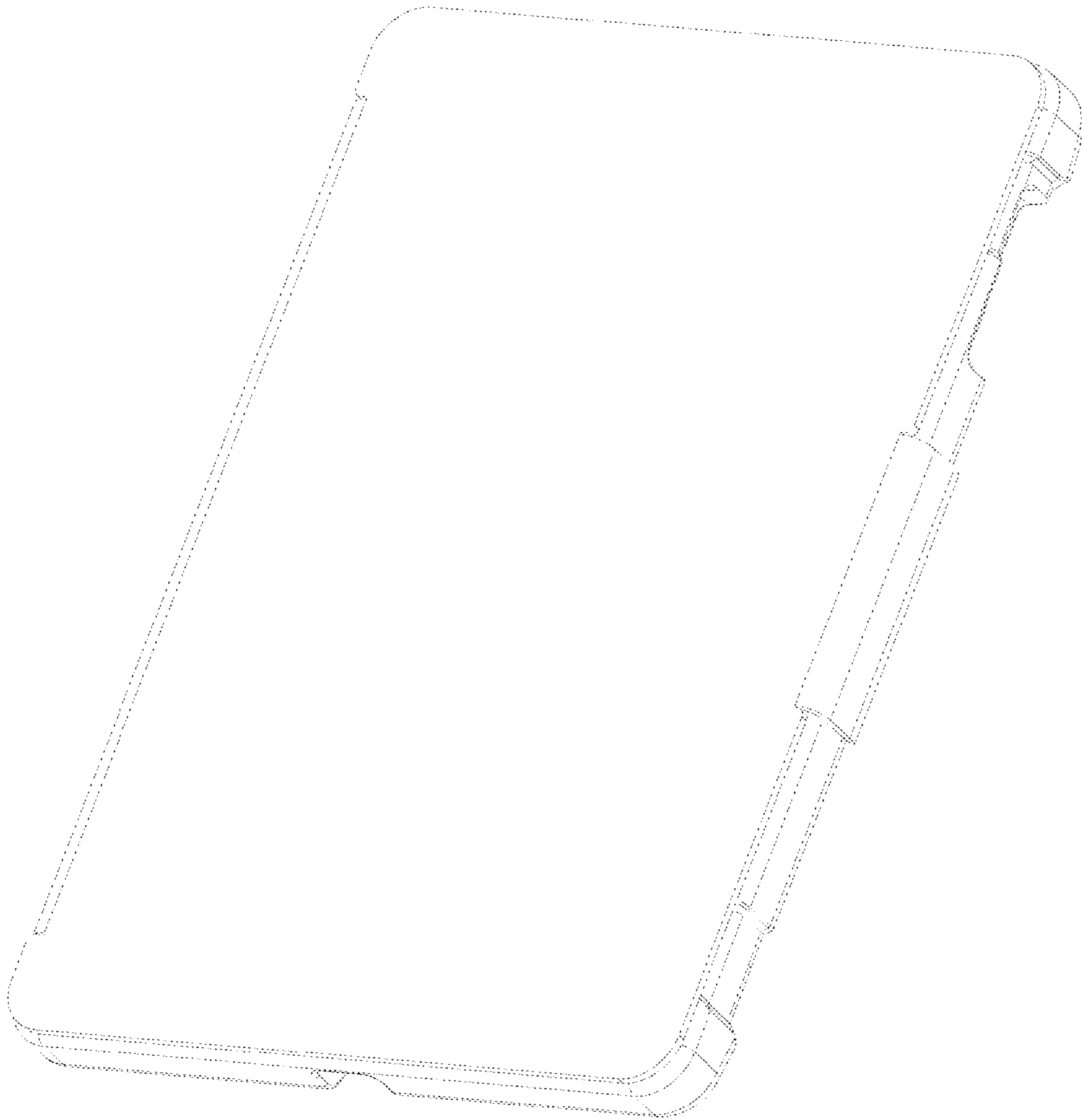


FIG. 7

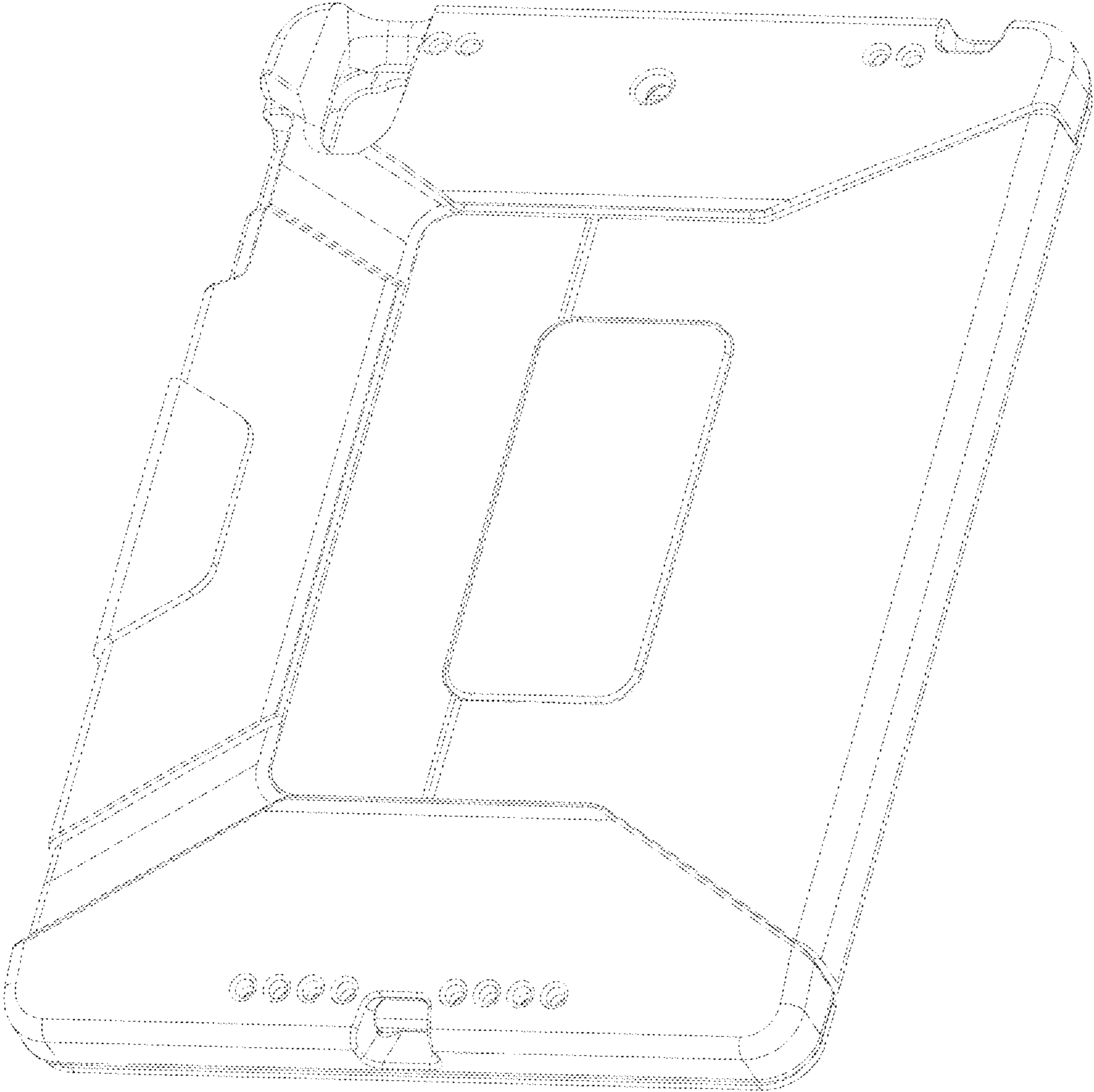


FIG. 8

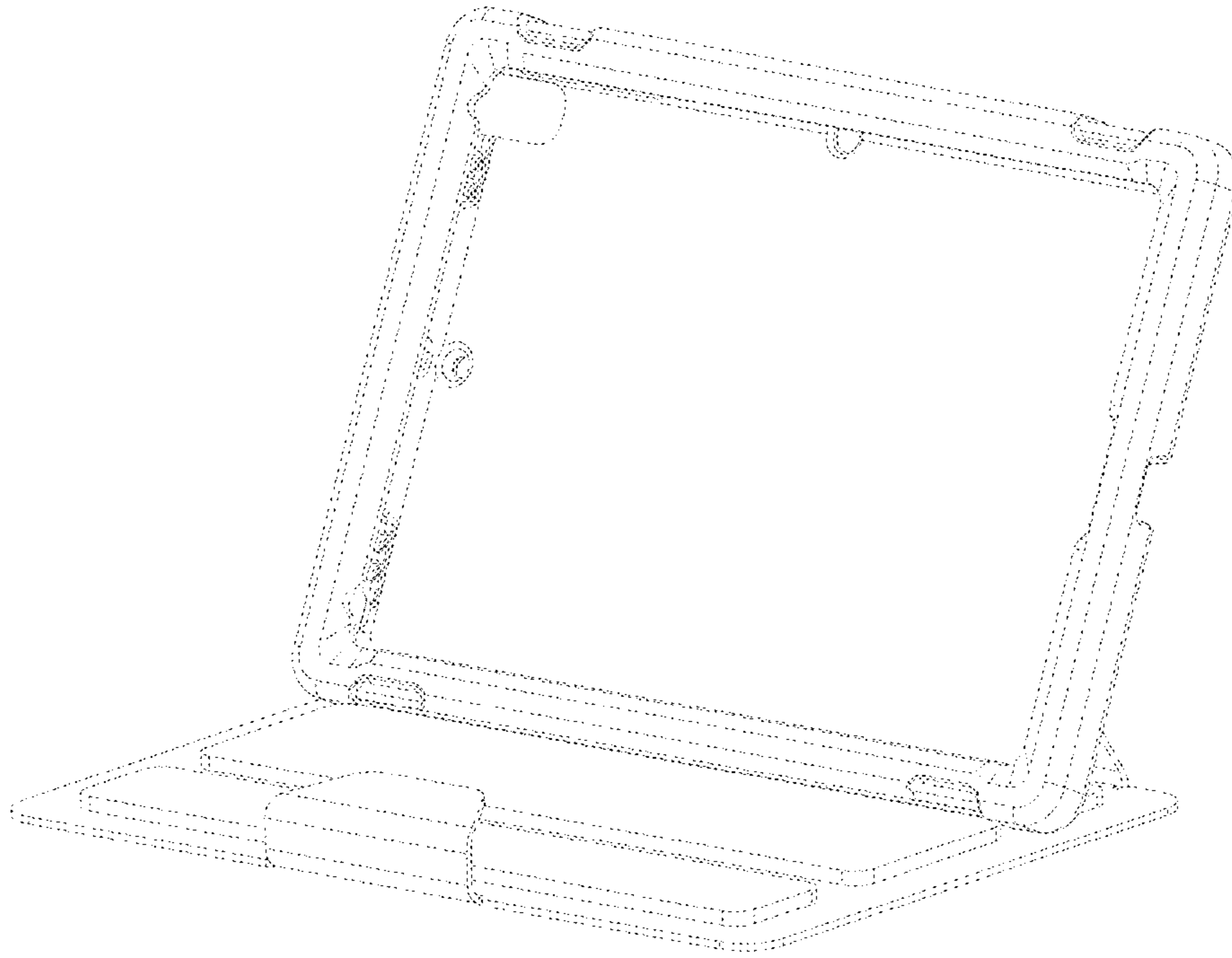


FIG. 9

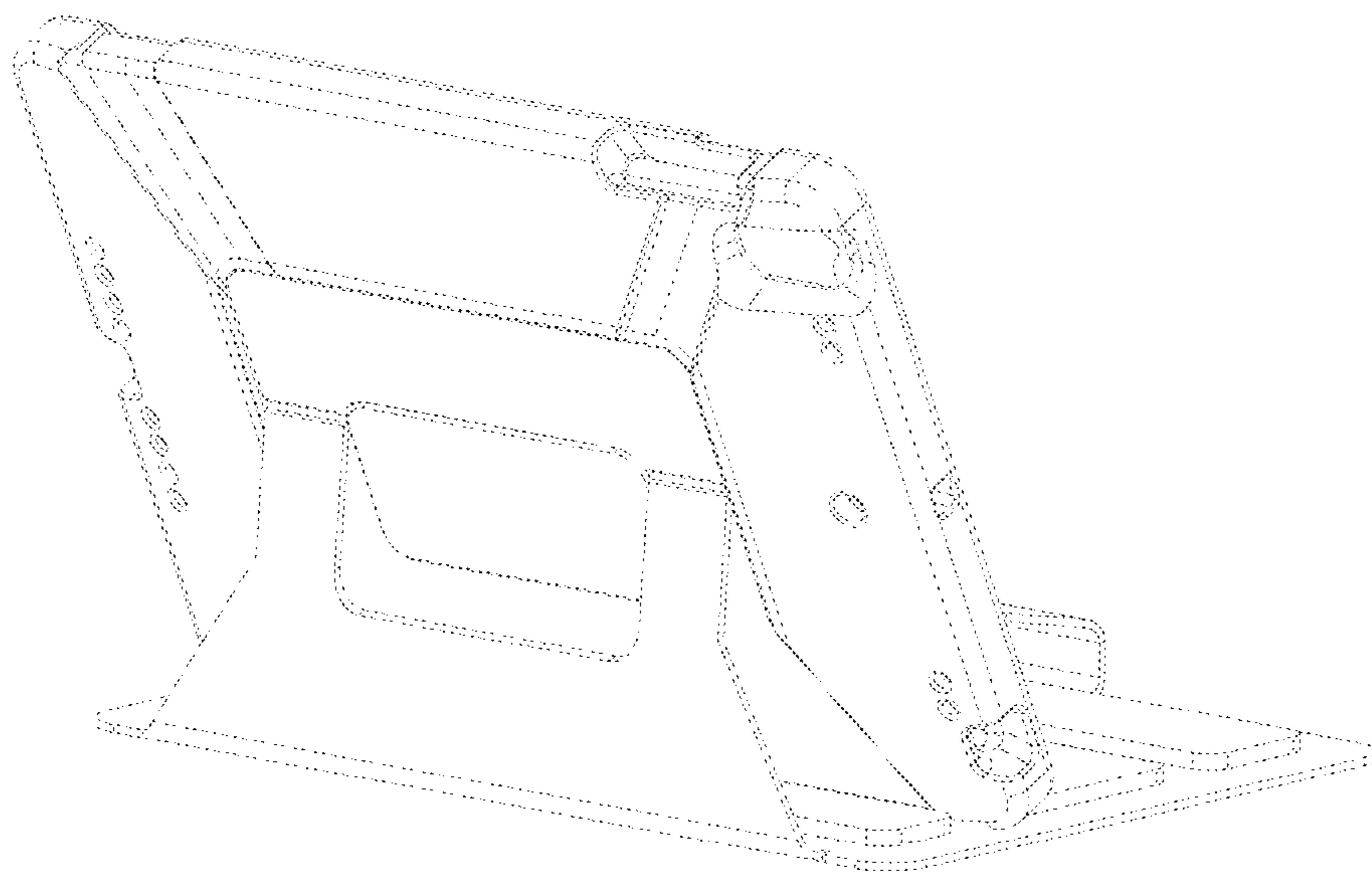


FIG. 10