



US00D807368S

(12) **United States Design Patent**
Stewart et al.

(10) **Patent No.:** **US D807,368 S**
(45) **Date of Patent:** **** Jan. 9, 2018**

- (54) **ELECTRONIC DEVICE CASE**
- (71) Applicant: **Griffin Technology, LLC**, Irvine, CA (US)
- (72) Inventors: **Brittany L. Stewart**, Nashville, TN (US); **Daniel Poon**, Nashville, TN (US)
- (73) Assignee: **Griffin Technology, LLC**, Irvine, CA (US)

D730,913	S	*	6/2015	Shao	D14/440
D760,708	S	*	7/2016	Hirst	D14/250
D766,907	S	*	9/2016	Veltz	D14/440
D772,881	S	*	11/2016	Chang	D14/440
2010/0294683	A1	*	11/2010	Mish	A45C 11/00 206/320
2012/0037523	A1	*	2/2012	Diebel	A45C 11/00 206/320
2012/0308981	A1	*	12/2012	Libin	G09B 3/00 434/362
2013/0020216	A1	*	1/2013	Chiou	G06F 1/1626 206/320

(**) Term: **15 Years**

* cited by examiner

(21) Appl. No.: **29/603,736**

Primary Examiner — Cynthia Underwood

(22) Filed: **May 11, 2017**

(74) *Attorney, Agent, or Firm* — Manatt, Phelps & Phillips, LLP

Related U.S. Application Data

(63) Continuation of application No. 29/555,804, filed on Feb. 25, 2016, now Pat. No. Des. 786,881.

(51) **LOC (11) Cl.** **14-02**

(52) **U.S. Cl.**
USPC **D14/440**

(58) **Field of Classification Search**
USPC D14/440, 447, 250; 206/45.23, 320, 206/45.2, 316.2; 361/679.55, 260
CPC G06F 1/1628; G06F 1/1626; A47B 23/044
See application file for complete search history.

(56) **References Cited**

U.S. PATENT DOCUMENTS

D600,699	S	*	9/2009	Johnston	D14/440
D669,480	S	*	10/2012	Piedra	D14/440
D692,434	S	*	10/2013	Kim	D14/440
D696,253	S	*	12/2013	Akana	D14/345
D696,256	S	*	12/2013	Piedra	D14/440

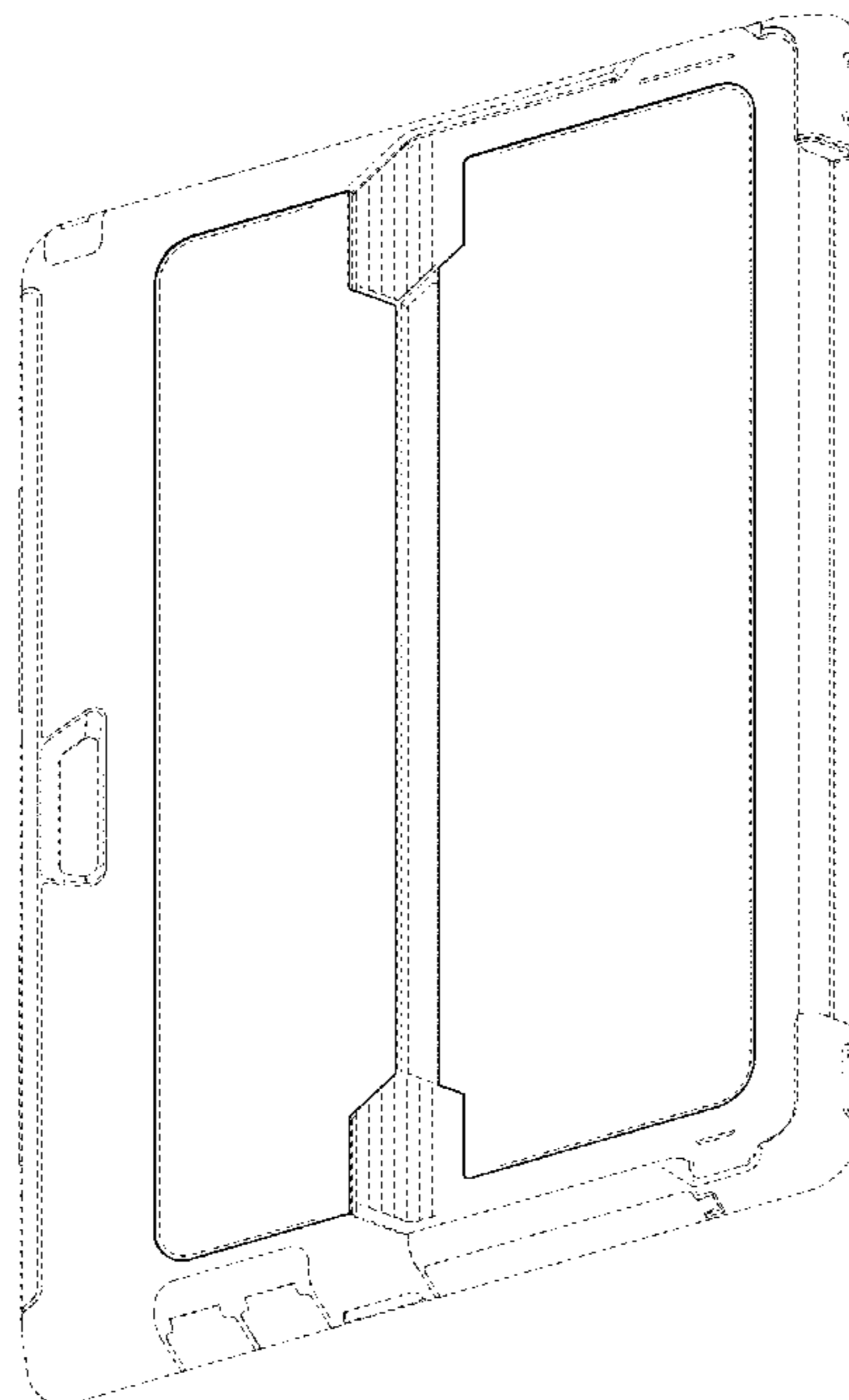
(57) **CLAIM**

We claim the ornamental design for an electronic device case, as shown and described.

DESCRIPTION

FIG. 1 is a front perspective view of an electronic device case;
 FIG. 2 is a rear perspective view thereof;
 FIG. 3 is a front view thereof;
 FIG. 4 is a rear view thereof;
 FIG. 5 is a left view thereof;
 FIG. 6 is a right view thereof;
 FIG. 7 is a top view thereof; and,
 FIG. 8 is a bottom view thereof.
 Broken lines having a dash-dash configuration depict environmental subject matter and form no part of the presently claimed design.

1 Claim, 6 Drawing Sheets



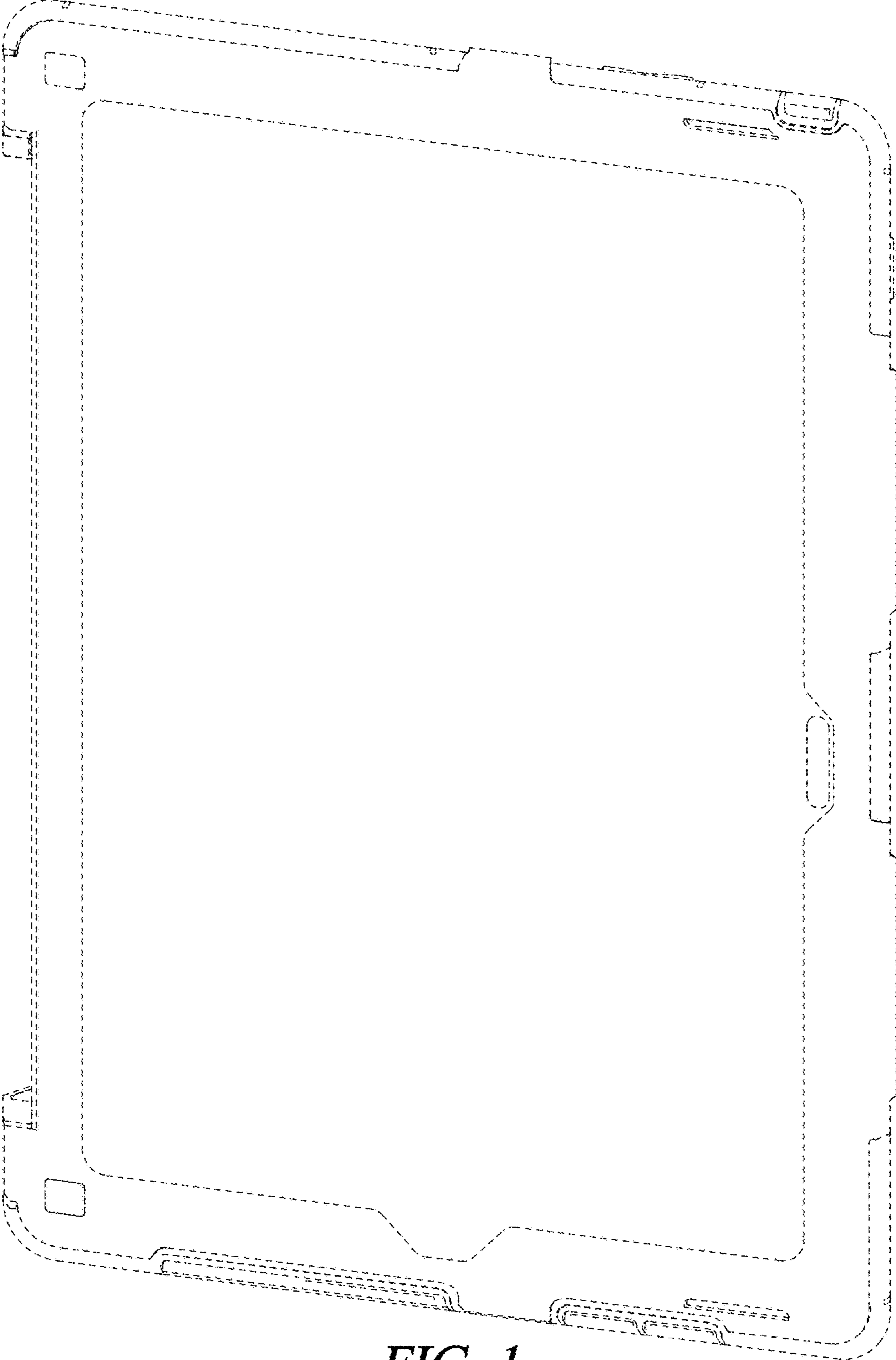


FIG. 1

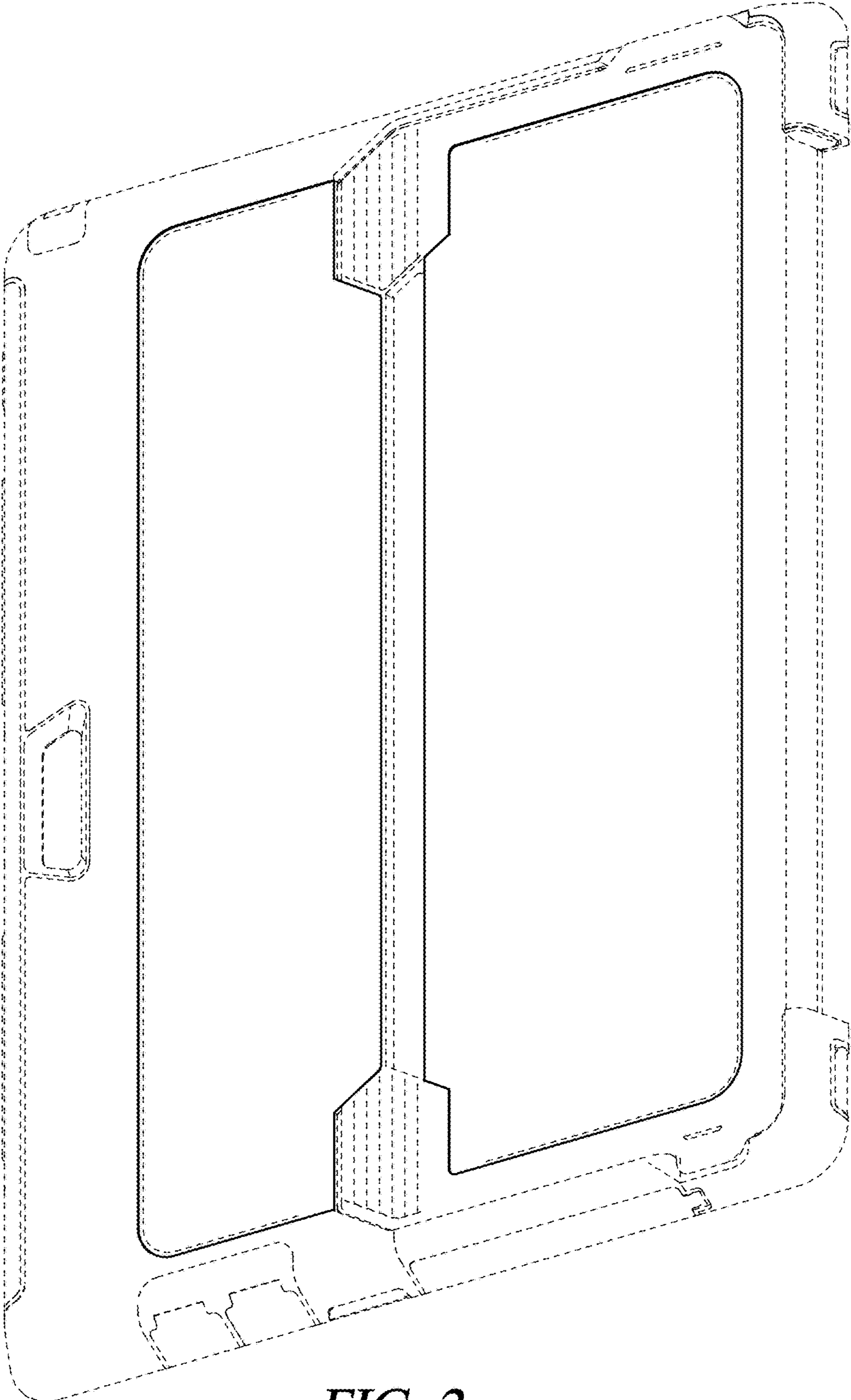


FIG. 2

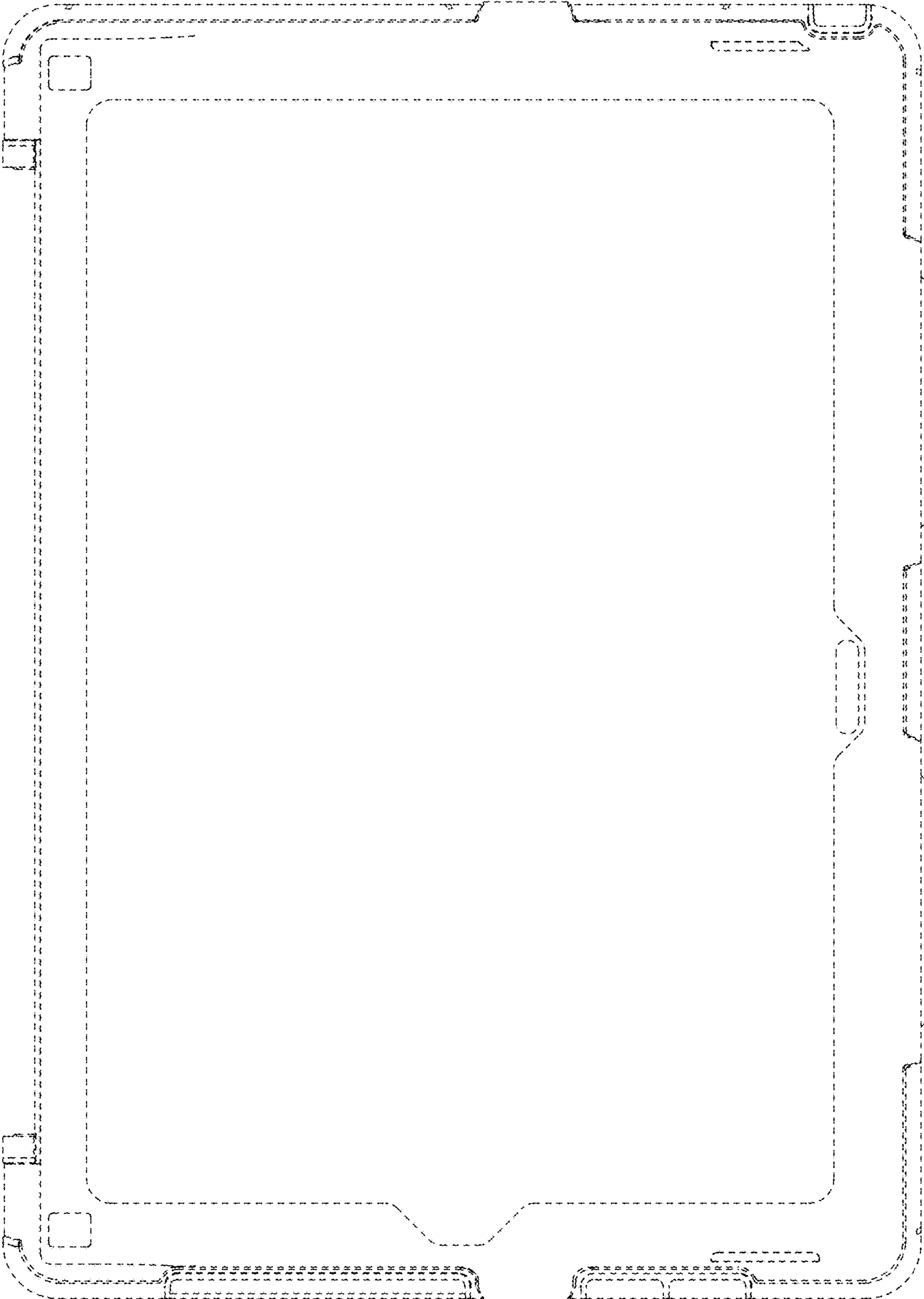


FIG. 3

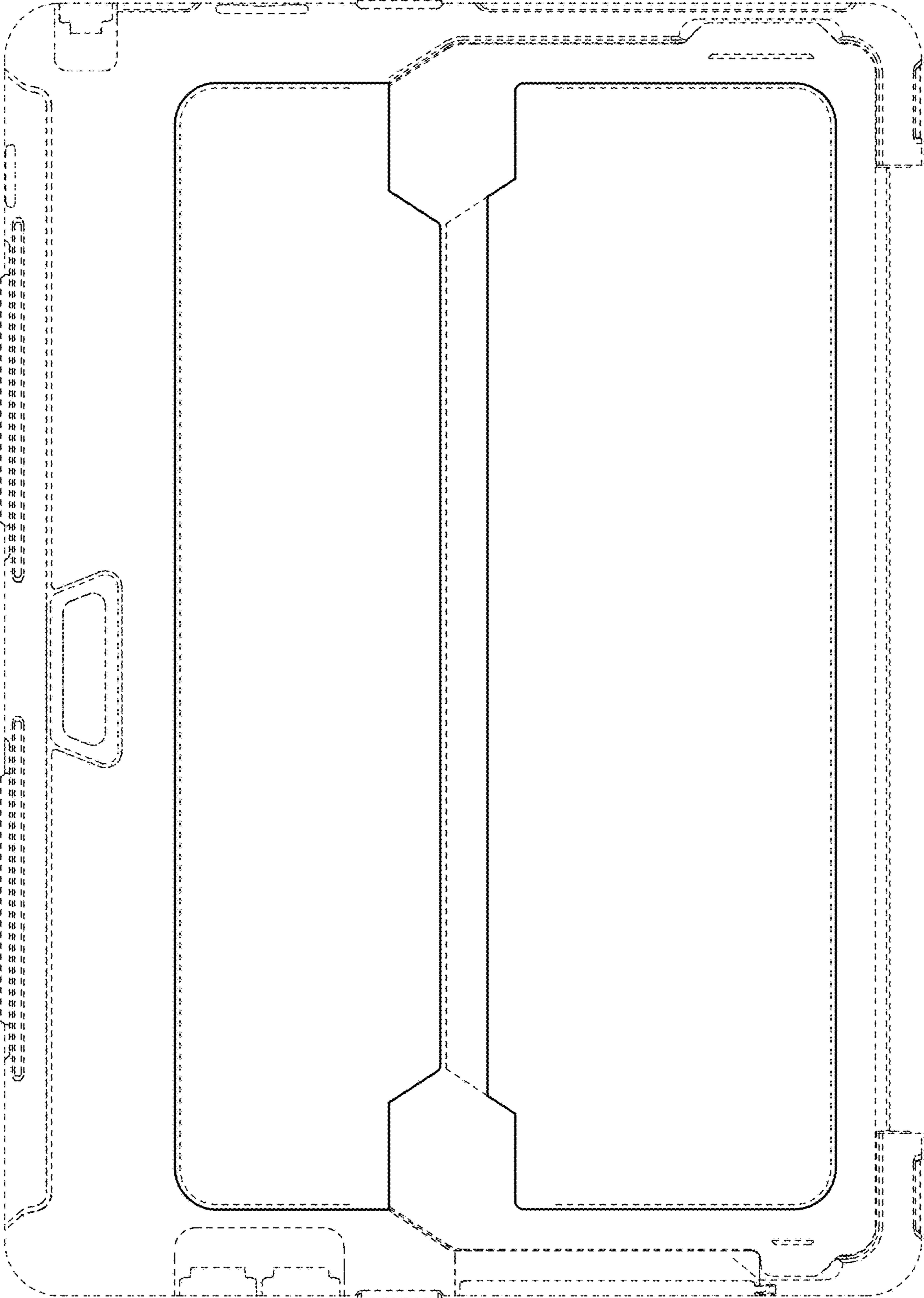


FIG. 4

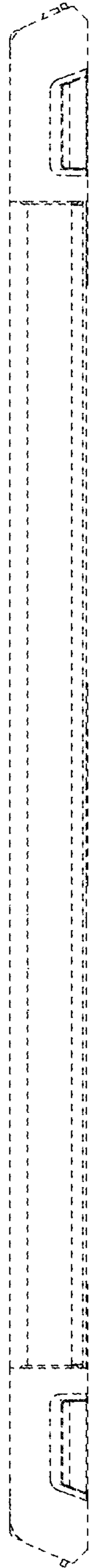


FIG. 5

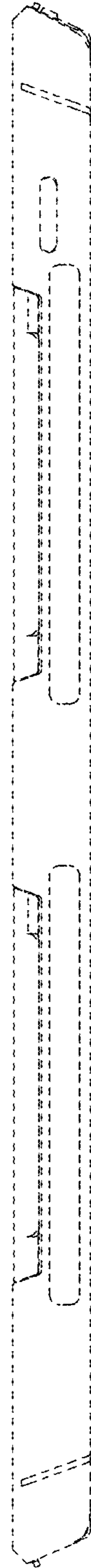


FIG. 6

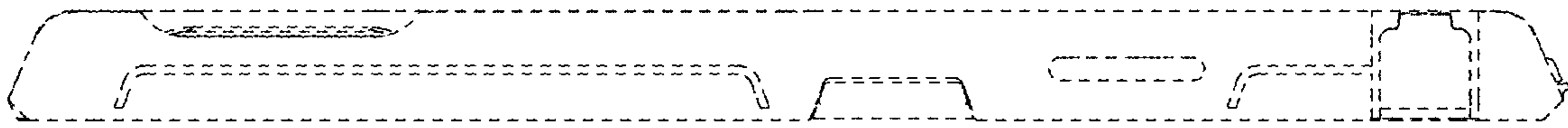


FIG. 7

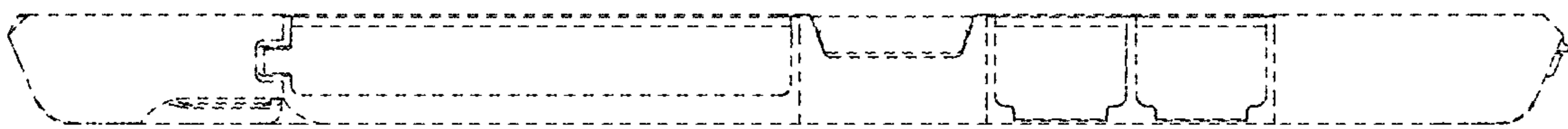


FIG. 8