



US00D807367S

(12) **United States Design Patent**
Stewart

(10) **Patent No.:** **US D807,367 S**
(45) **Date of Patent:** **** Jan. 9, 2018**

(54) **ELECTRONIC DEVICE CASE**

(71) Applicant: **Griffin Technology, LLC**, Irvine, CA
(US)

(72) Inventor: **Brittany L. Stewart**, Nashville, TN
(US)

(73) Assignee: **Griffin Technology, LLC**, Irvine, CA
(US)

(**) Term: **15 Years**

(21) Appl. No.: **29/602,783**

(22) Filed: **May 3, 2017**

Related U.S. Application Data

(63) Continuation of application No. 29/555,803, filed on
Feb. 25, 2016, now Pat. No. Des. 786,256.

(51) **LOC (11) Cl.** **14-02**

(52) **U.S. Cl.**
USPC **D14/440**

(58) **Field of Classification Search**
USPC D14/440, 447, 250; 206/45.23, 320,
206/45.2, 316.2; 361/679.55, 260
CPC G06F 1/1628; G06F 1/1626; A47B 23/044
See application file for complete search history.

(56) **References Cited**

U.S. PATENT DOCUMENTS

D600,699 S * 9/2009 Johnston D14/440
D669,480 S * 10/2012 Piedra D14/440
D692,434 S * 10/2013 Kim D14/440
D696,253 S * 12/2013 Akana D14/345
D696,256 S * 12/2013 Piedra D14/440

D730,913 S * 6/2015 Shao D14/440
D760,708 S * 7/2016 Hirst D14/250
D766,907 S * 9/2016 Veltz D14/440
D772,881 S * 11/2016 Chang D14/440
2010/0294683 A1* 11/2010 Mish A45C 11/00
206/320
2012/0037523 A1* 2/2012 Diebel A45C 11/00
206/320
2012/0308981 A1* 12/2012 Libin G09B 3/00
434/362
2013/0020216 A1* 1/2013 Chiou G06F 1/1626
206/320

* cited by examiner

Primary Examiner — Cynthia Underwood

(74) *Attorney, Agent, or Firm* — Manatt, Phelps &
Phillips, LLP

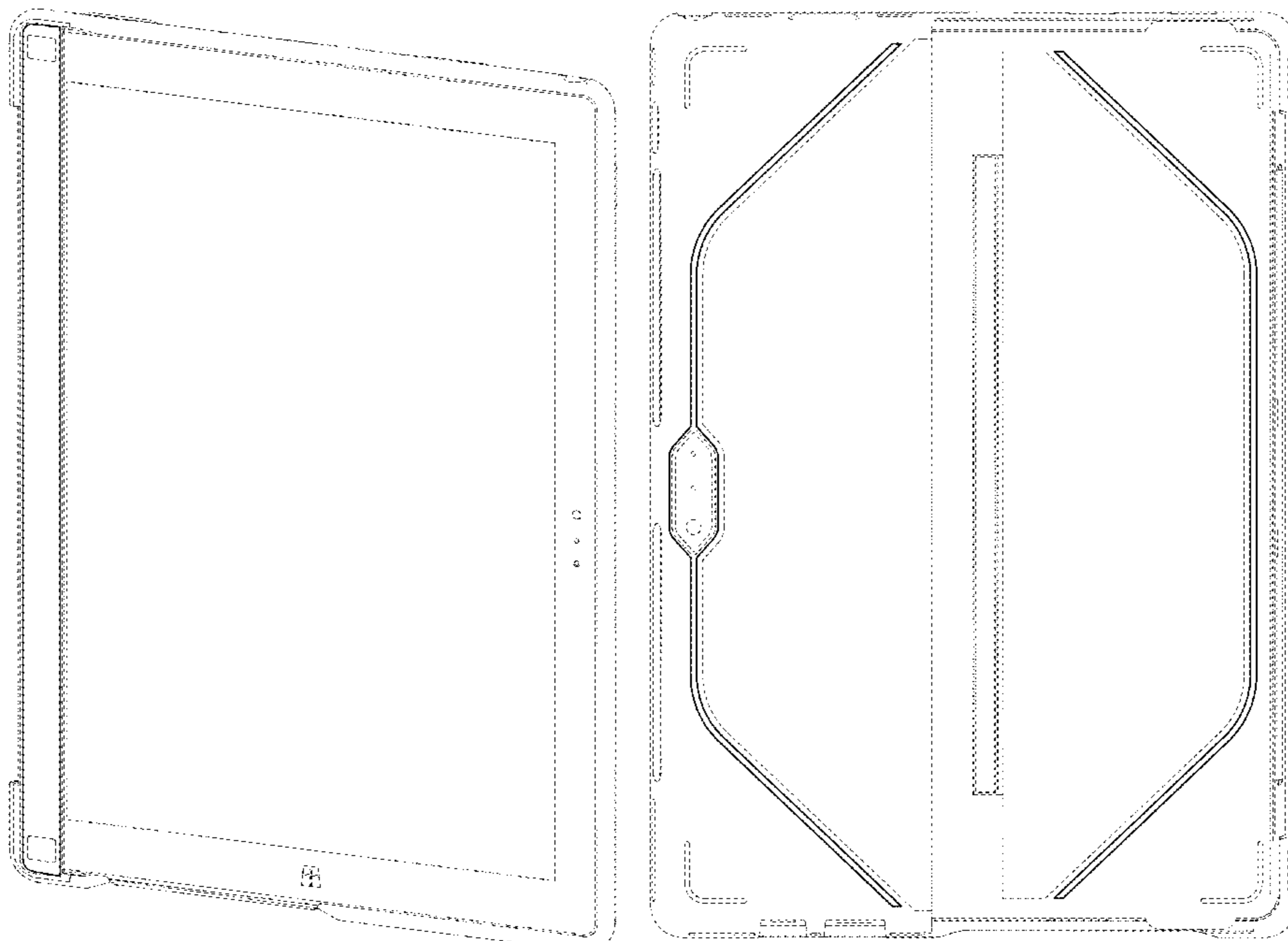
(57) **CLAIM**

I claim the ornamental design for an electronic device case,
as shown and described.

DESCRIPTION

FIG. 1 is a front perspective view of an electronic device
case;
FIG. 2 is a rear perspective view thereof;
FIG. 3 is a front view thereof;
FIG. 4 is a rear view thereof;
FIG. 5 is a left view thereof;
FIG. 6 is a right view thereof;
FIG. 7 is a top view thereof; and,
FIG. 8 is a bottom view thereof.
Broken lines having a dash-dash configuration depict envi-
ronmental subject matter and form no part of the presently
claimed design.

1 Claim, 6 Drawing Sheets



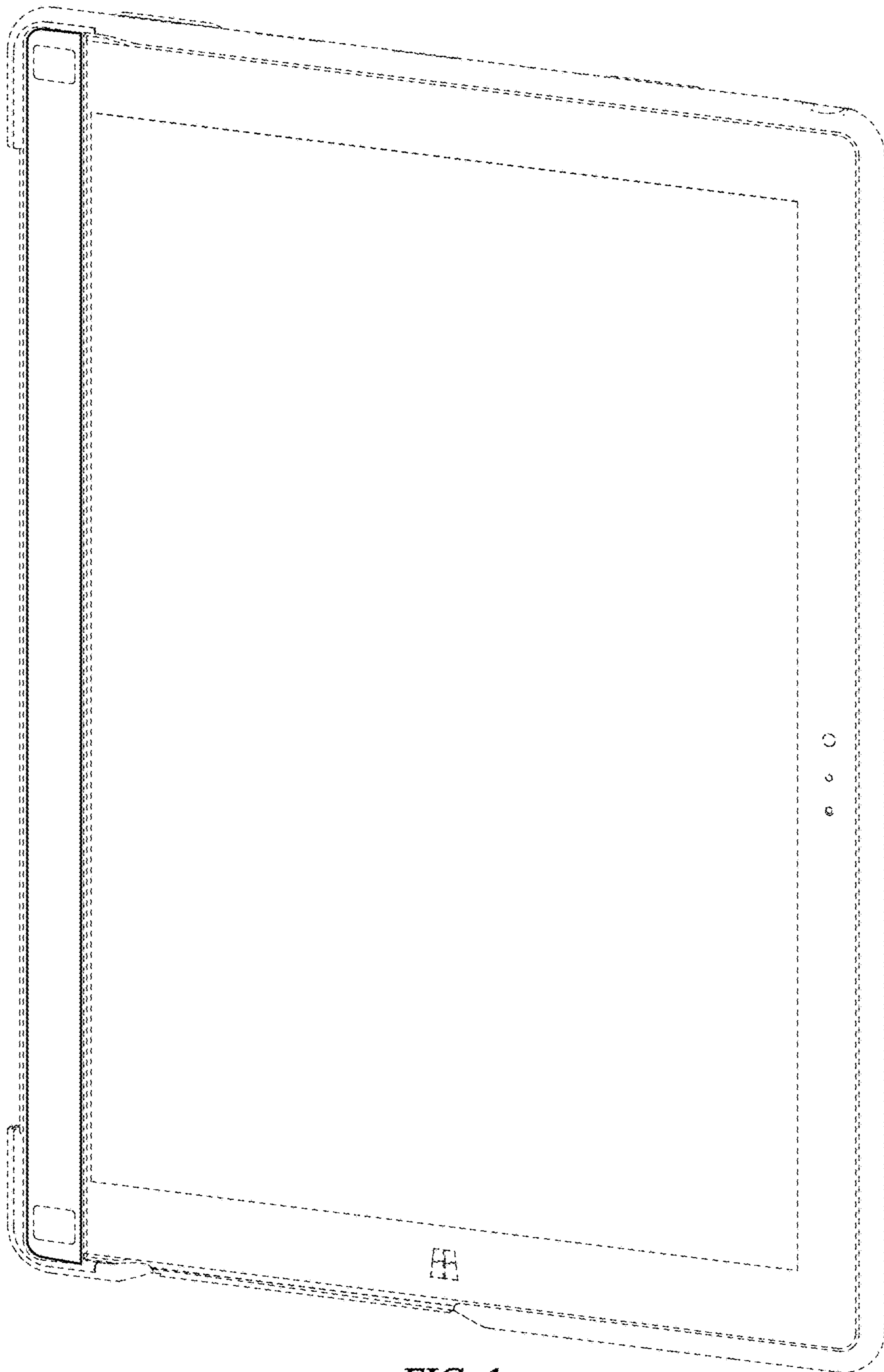


FIG. 1

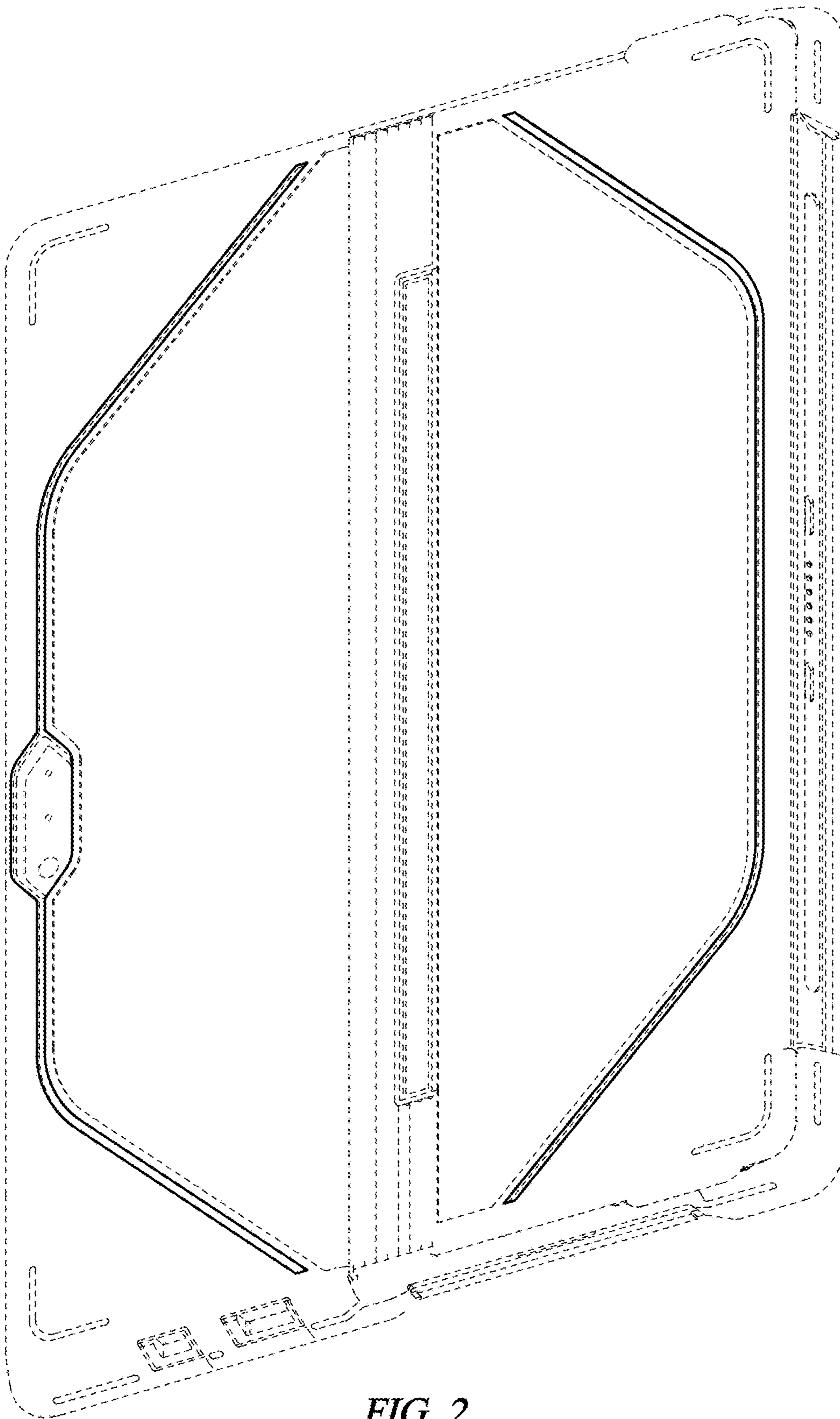


FIG. 2

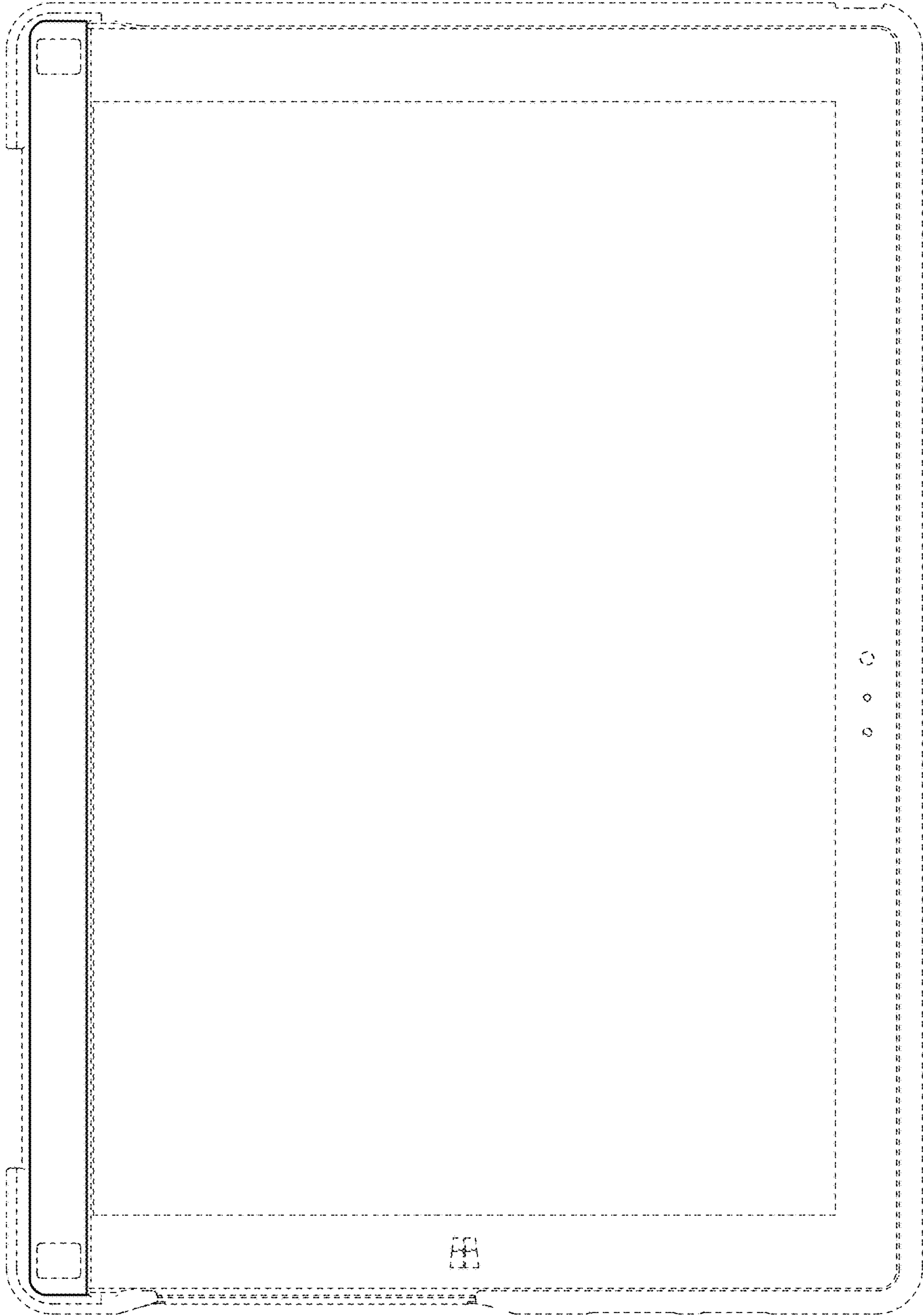


FIG. 3

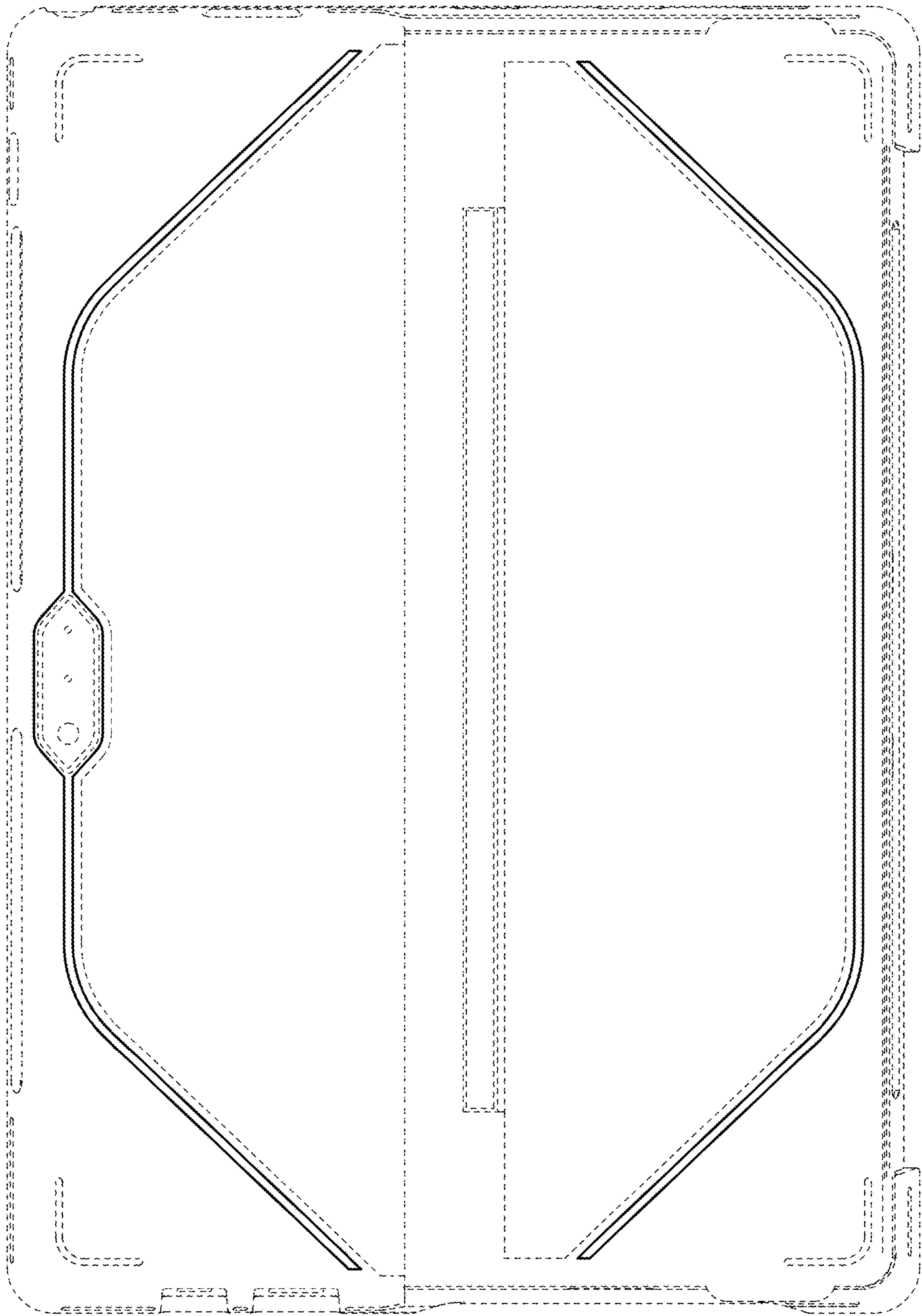


FIG. 4

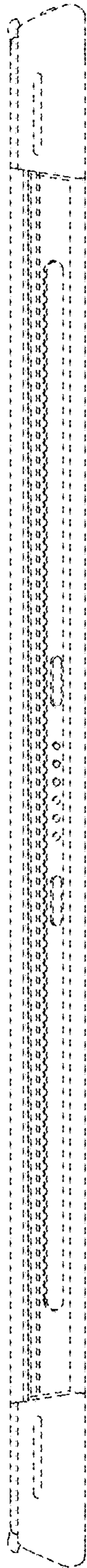


FIG. 5

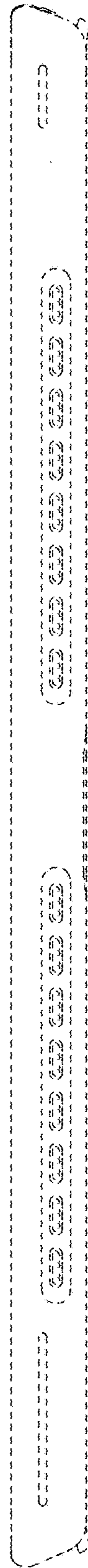


FIG. 6

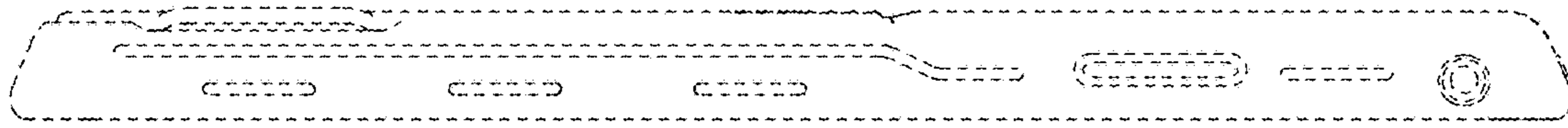


FIG. 7

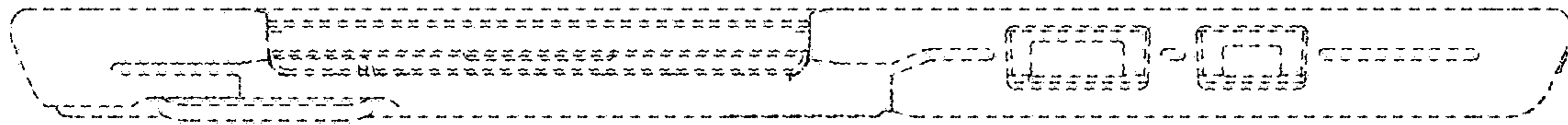


FIG. 8