



US00D807365S

(12) **United States Design Patent** (10) **Patent No.:** **US D807,365 S**
Liu (45) **Date of Patent:** **** Jan. 9, 2018**

(54) **KEYBOARD AND COVER**

DESCRIPTION

(71) Applicant: **JIDE TECHNOLOGY**, Beijing (CN)
(72) Inventor: **Chuan-Kai Liu**, Shanghai (CN)
(73) Assignee: **Jide Technology (Hong Kong) Limited**, Causeway Bay (HK)
(**) Term: **15 Years**
(21) Appl. No.: **29/569,281**
(22) Filed: **Jun. 24, 2016**
(30) **Foreign Application Priority Data**
Dec. 31, 2015 (CN) 2015 3 0569456
(51) **LOC (11) Cl.** **14-02**
(52) **U.S. Cl.**
USPC **D14/440**
(58) **Field of Classification Search**
USPC D14/440, 250, 447; 206/45.23, 320,
206/45.2; 361/679.55; 294/25; 224/218
CPC ... G06F 1/1628; G06F 1/1626; A47B 23/044;
H04B 1/3888
See application file for complete search history.

FIG. 1 is a front view of a keyboard and cover;
FIG. 2 is a rear view of the keyboard and cover;
FIG. 3 is a left-side view of the keyboard and cover;
FIG. 4 is a right-side view of the keyboard and cover;
FIG. 5 is a top view of the keyboard and cover;
FIG. 6 is a bottom view of the keyboard and cover;
FIG. 7 is a perspective view of a rear of the keyboard and cover;
FIG. 8 is another perspective view of the rear of the keyboard and cover;
FIG. 9 is a perspective view of a front of the keyboard and cover;
FIG. 10 is another perspective view of the front of the keyboard and cover;
FIG. 11 is a perspective view of the front of the keyboard and cover with the cover in a first folded state;
FIG. 12 is a perspective view of the front of the keyboard and cover with the cover in the first folded state supporting a tablet;
FIG. 13 is a perspective view of the rear of the keyboard and cover with the cover in the first folded state supporting the tablet;
FIG. 14 is a perspective view of the front of the keyboard and cover with the cover in a second folded state supporting the tablet;
FIG. 15 is a perspective view of the rear of the keyboard and cover with the cover in the second folded state supporting the tablet;
FIG. 16 is a perspective view of the front of the keyboard and cover with the cover in a third folded state supporting the tablet; and,
FIG. 17 is a perspective view of the rear of the keyboard and cover with the cover in the third folded state supporting the tablet.
The broken lines represent environment that forms no part of the claim.

(56) **References Cited**

U.S. PATENT DOCUMENTS

D356,120 S * 3/1995 Allen D21/335
D364,191 S * 11/1995 Allen D21/335
D467,429 S * 12/2002 Bone D3/294
D658,187 S * 4/2012 Diebel G06F 1/1628
D14/440
D658,188 S * 4/2012 Diebel D14/440
D658,877 S * 5/2012 Janus D3/301
D663,304 S * 7/2012 Akana D14/440

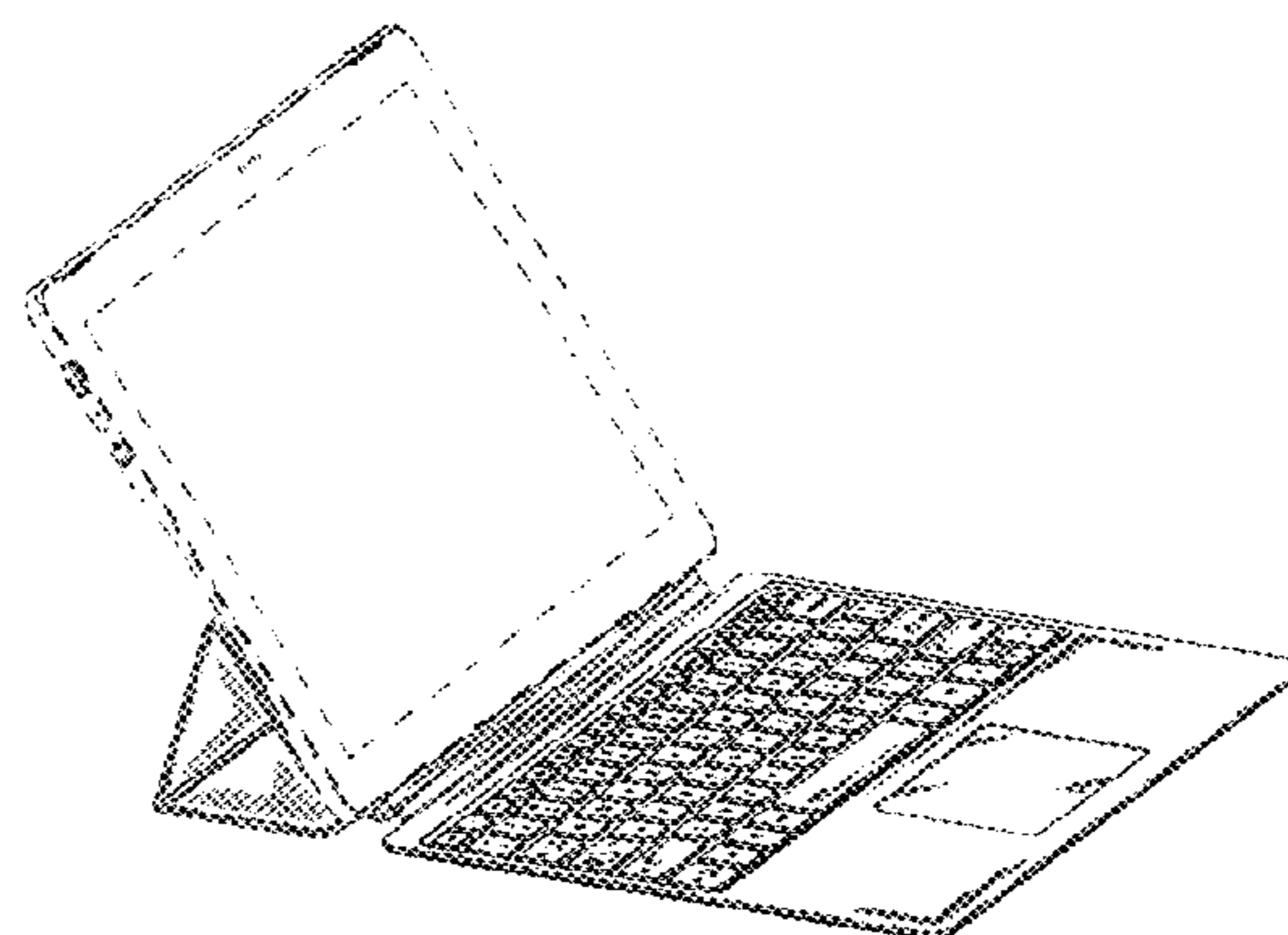
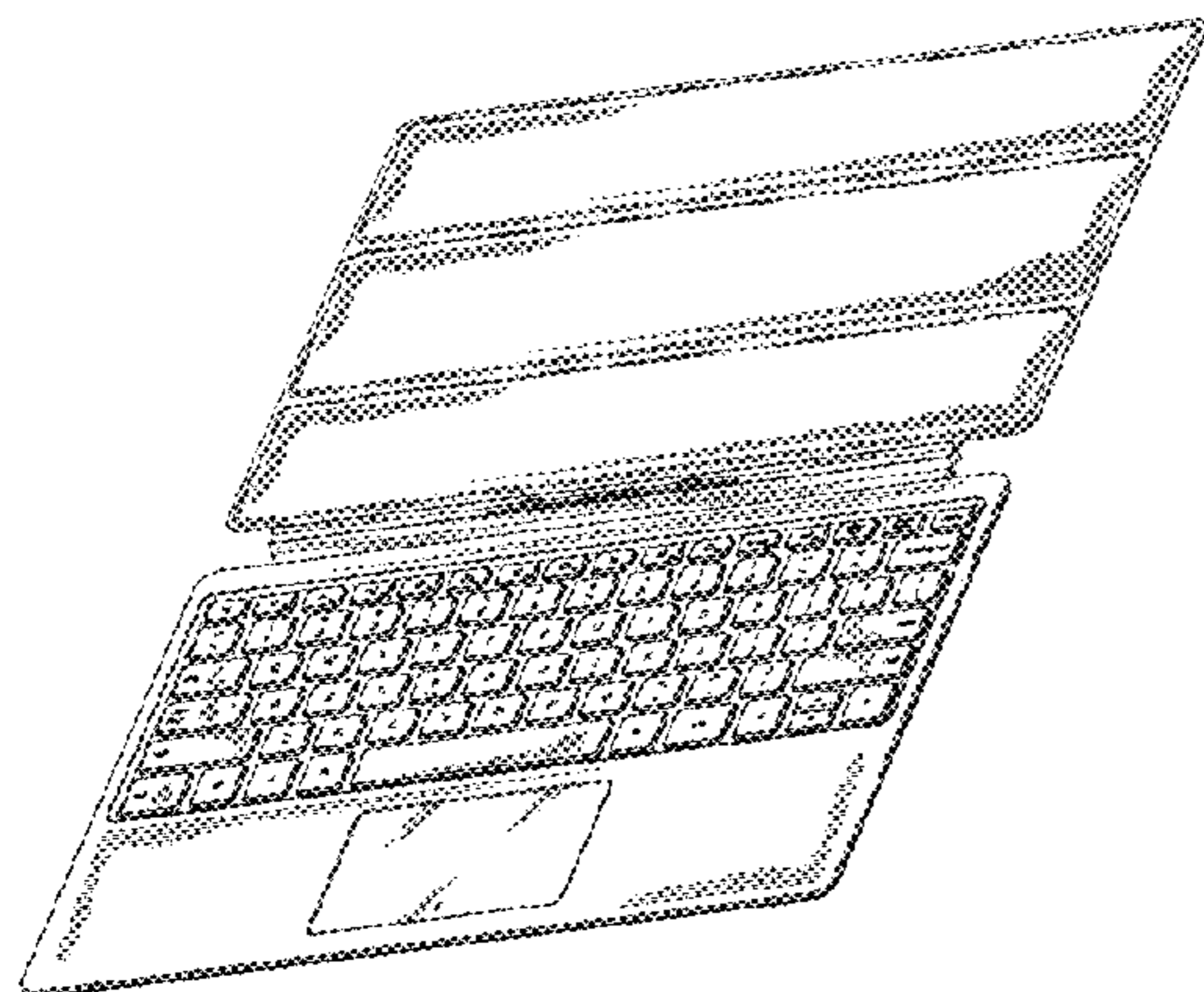
(Continued)

Primary Examiner — Cynthia Underwood
(74) *Attorney, Agent, or Firm* — Levine Bagade Han LLP

(57) **CLAIM**

The ornamental design for a keyboard and cover, as shown and described.

1 Claim, 17 Drawing Sheets



(56)

References Cited

U.S. PATENT DOCUMENTS

D672,781 S * 12/2012 Lu D14/440
D675,625 S * 2/2013 Hasbrook D14/440
D678,260 S * 3/2013 Bau D14/132
D679,279 S * 4/2013 Yang D14/440
D679,715 S * 4/2013 Akana D14/440
D681,641 S * 5/2013 Van Den
Nieuwenhuizen D14/440
D687,438 S * 8/2013 Lu D14/440
D691,142 S * 10/2013 Diebel D14/440
D692,432 S * 10/2013 Liu D14/440
D696,253 S * 12/2013 Akana D14/345
D696,669 S * 12/2013 Akana D14/440
8,766,921 B2 * 7/2014 Ballagas G06F 1/1626
345/168
D713,848 S * 9/2014 Akana D14/440
D714,791 S * 10/2014 Liu D14/440
D726,731 S * 4/2015 Kim D14/440
D770,457 S * 11/2016 Massucco D14/440
D772,880 S * 11/2016 Corcoran D14/440
D779,494 S * 2/2017 Hallier D14/252

D784,348 S * 4/2017 Zhang D14/440
D792,884 S * 7/2017 Nyholm D14/440
2009/0107858 A1 * 4/2009 Huang A45C 9/00
206/214
2009/0201254 A1 * 8/2009 Rais G06F 1/1613
345/168
2012/0308981 A1 * 12/2012 Libin G09B 3/00
434/362
2013/0020216 A1 * 1/2013 Chiou G06F 1/1626
206/320
2013/0048520 A1 * 2/2013 Garrett A45F 5/00
206/320
2013/0214661 A1 * 8/2013 McBroom G06F 1/1667
312/325
2013/0233762 A1 * 9/2013 Balaji B65D 25/00
206/736
2015/0296060 A1 * 10/2015 Gu H04M 1/0235
455/575.4
2015/0296068 A1 * 10/2015 Chin G06F 1/1628
455/575.8

* cited by examiner

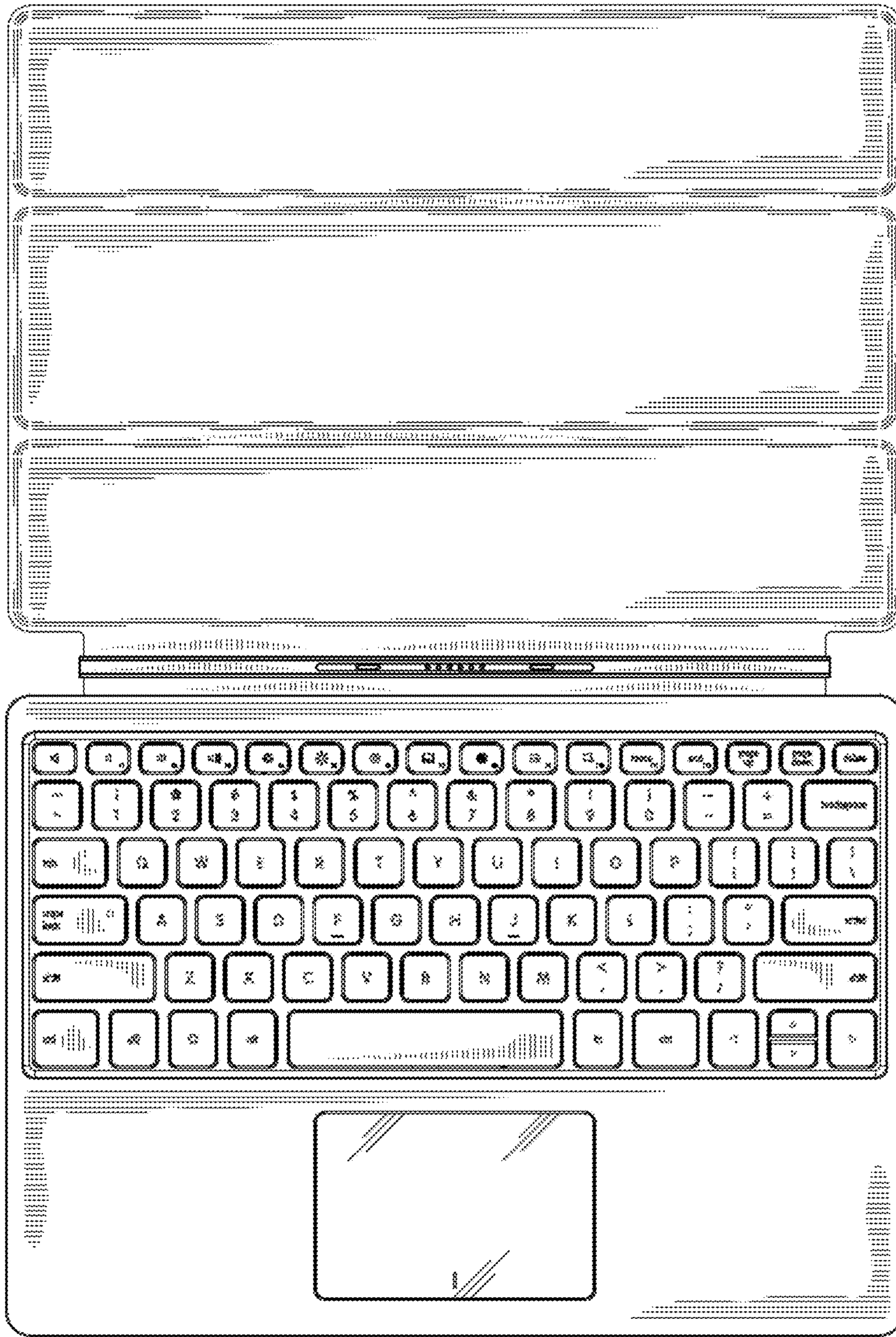


FIG. 1

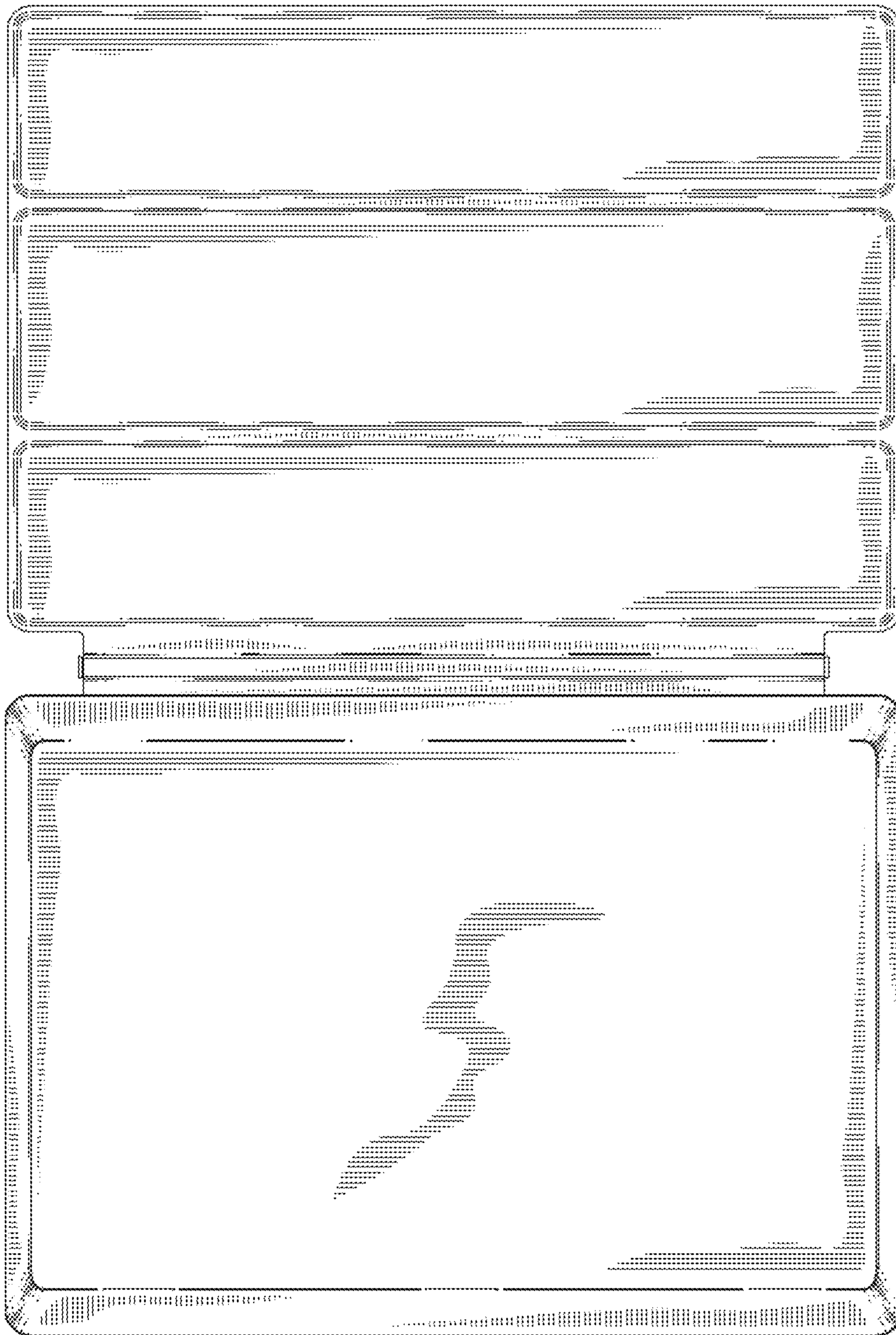


FIG. 2



FIG. 3



FIG. 4

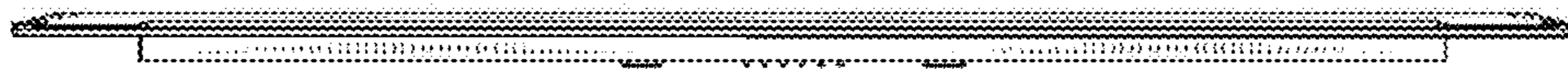


FIG. 5

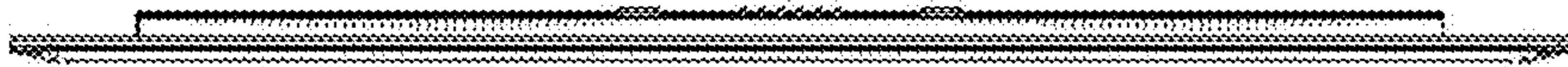


FIG. 6

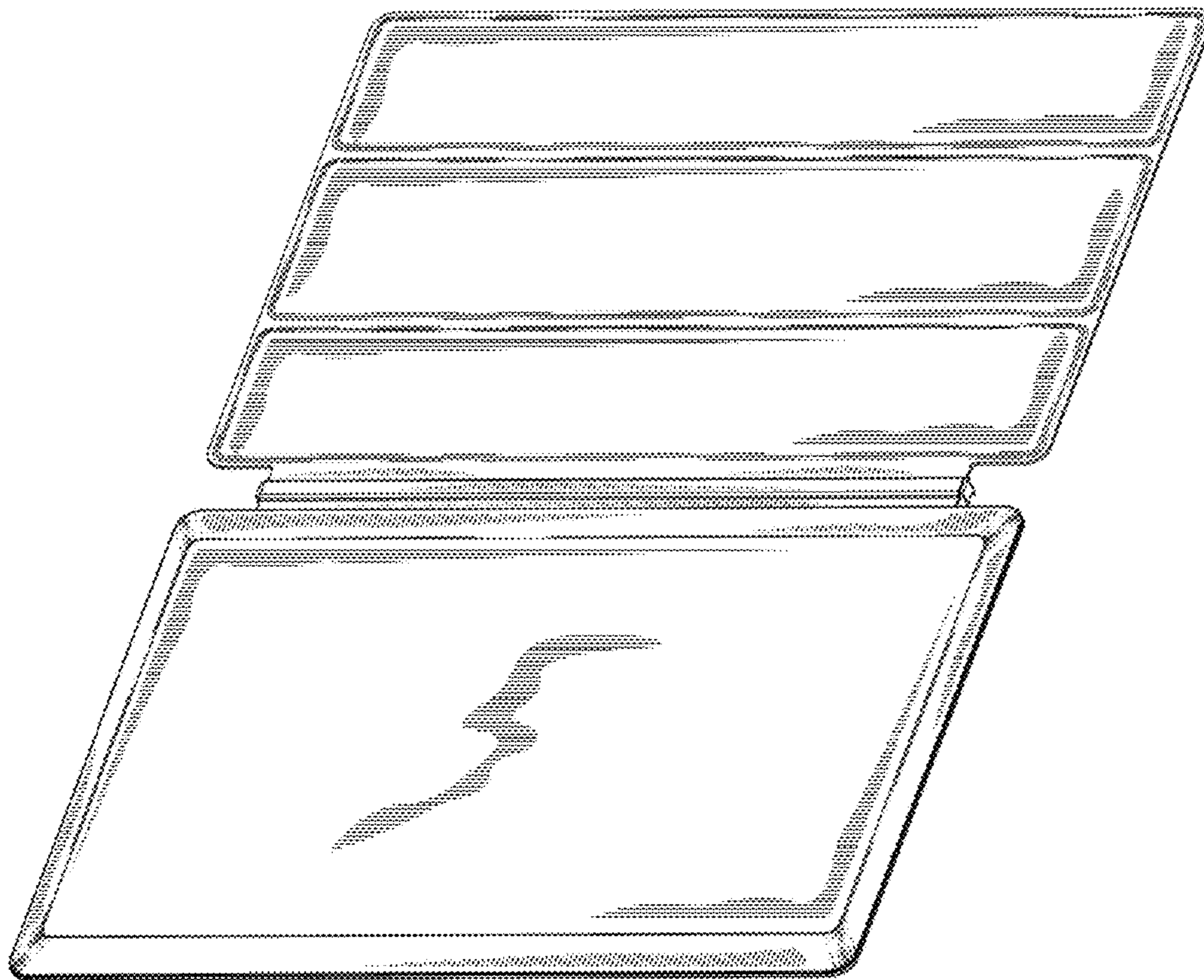


FIG. 7

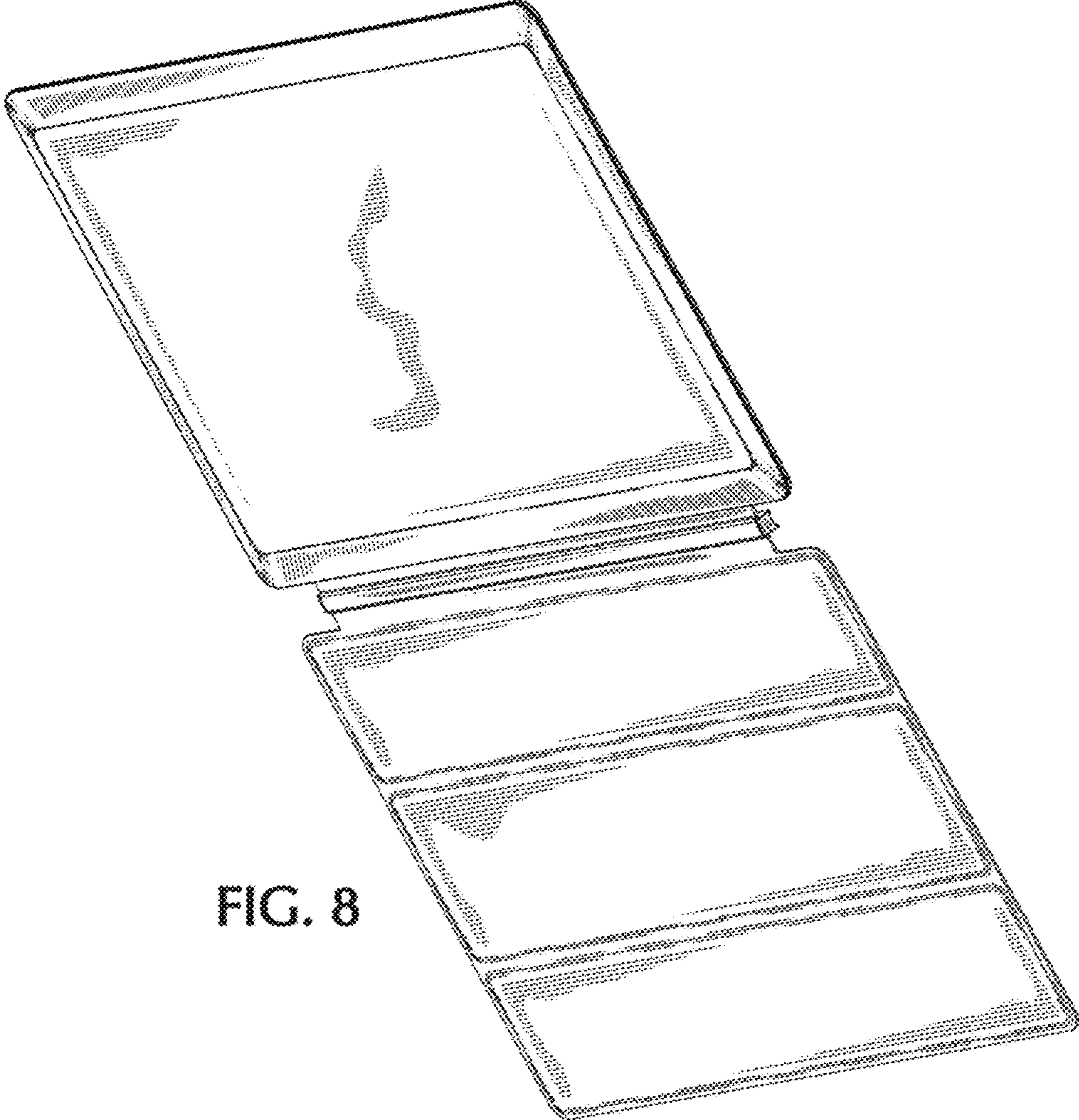


FIG. 8

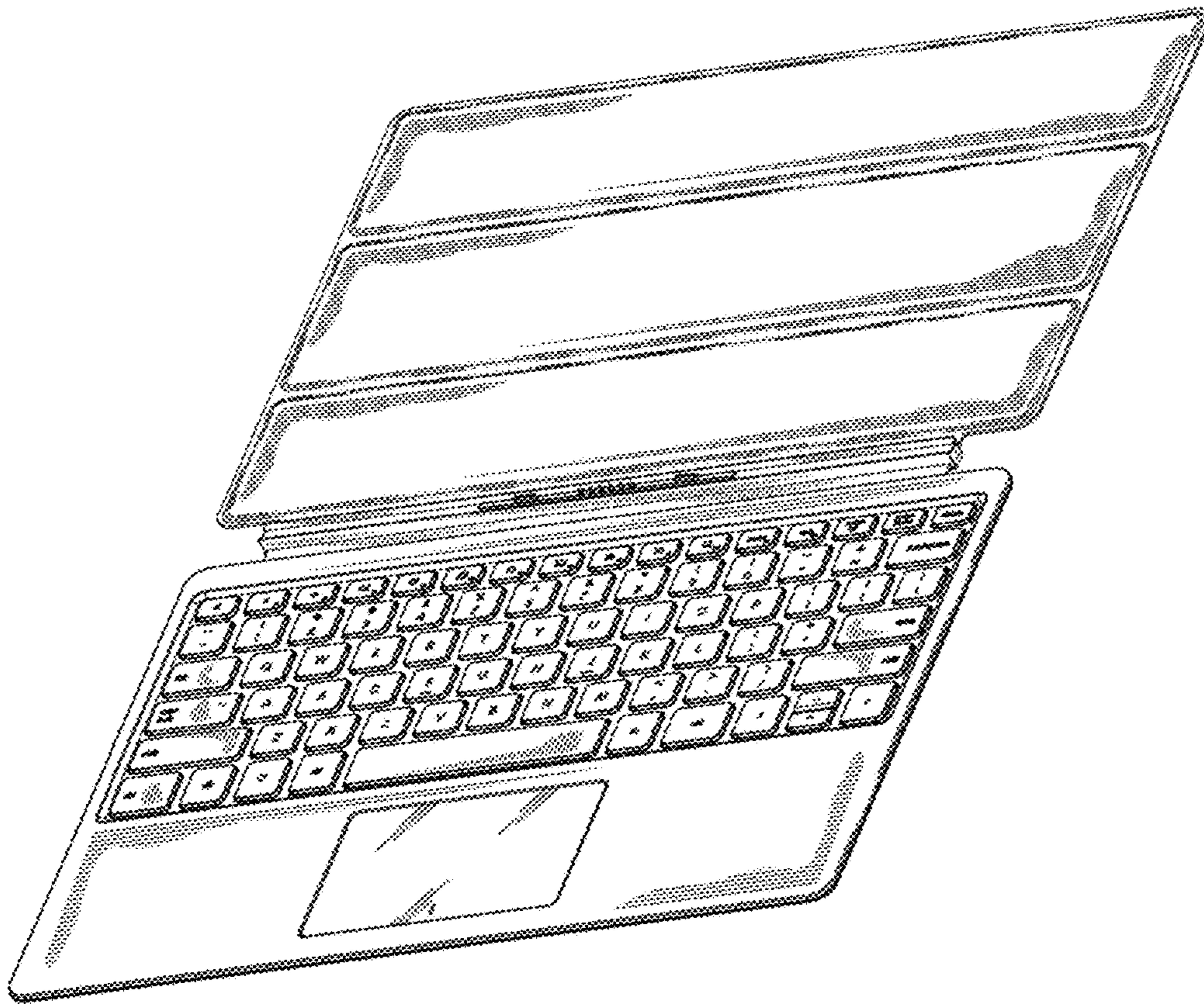


FIG. 9

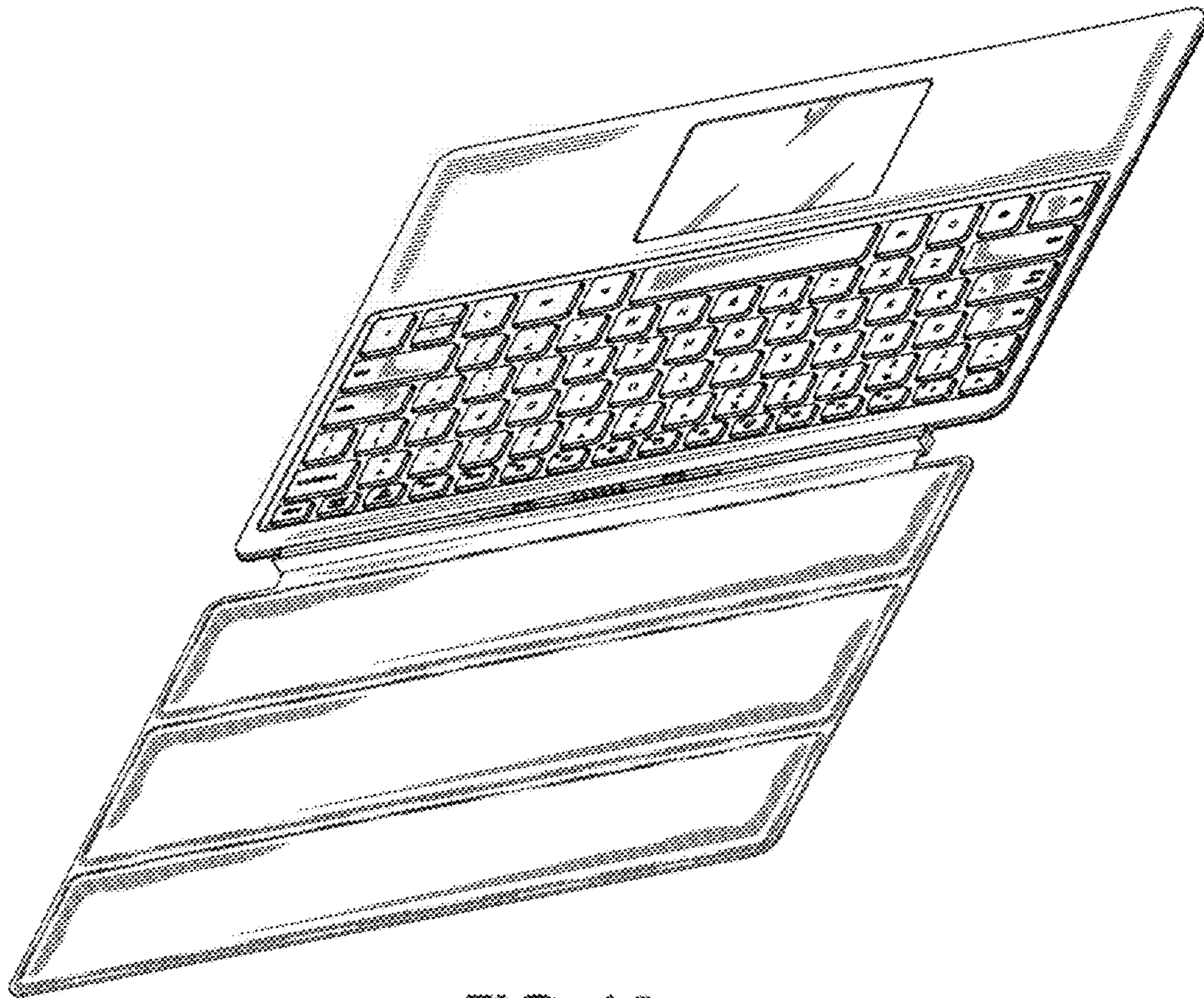


FIG. 10

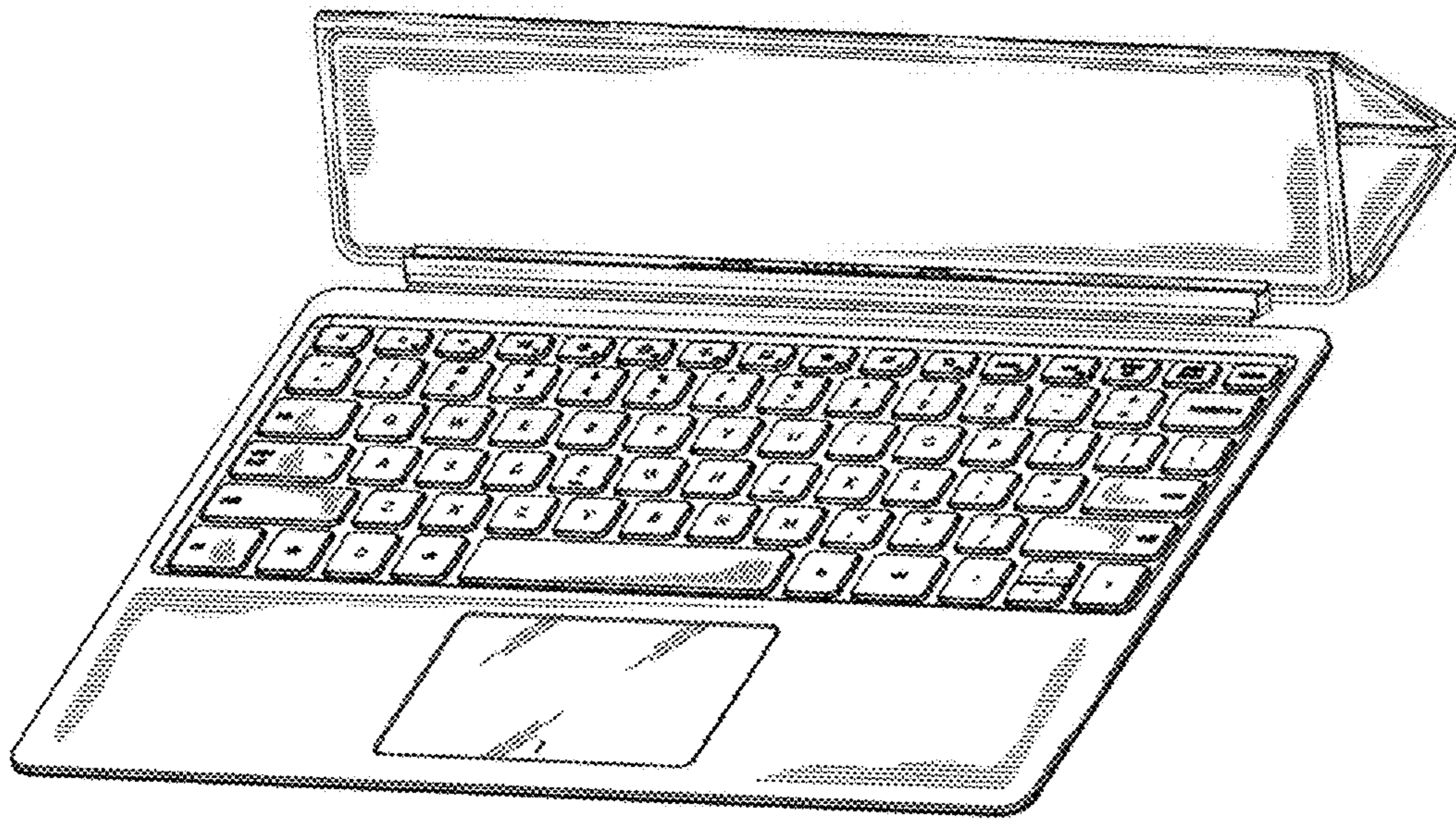


FIG. 11

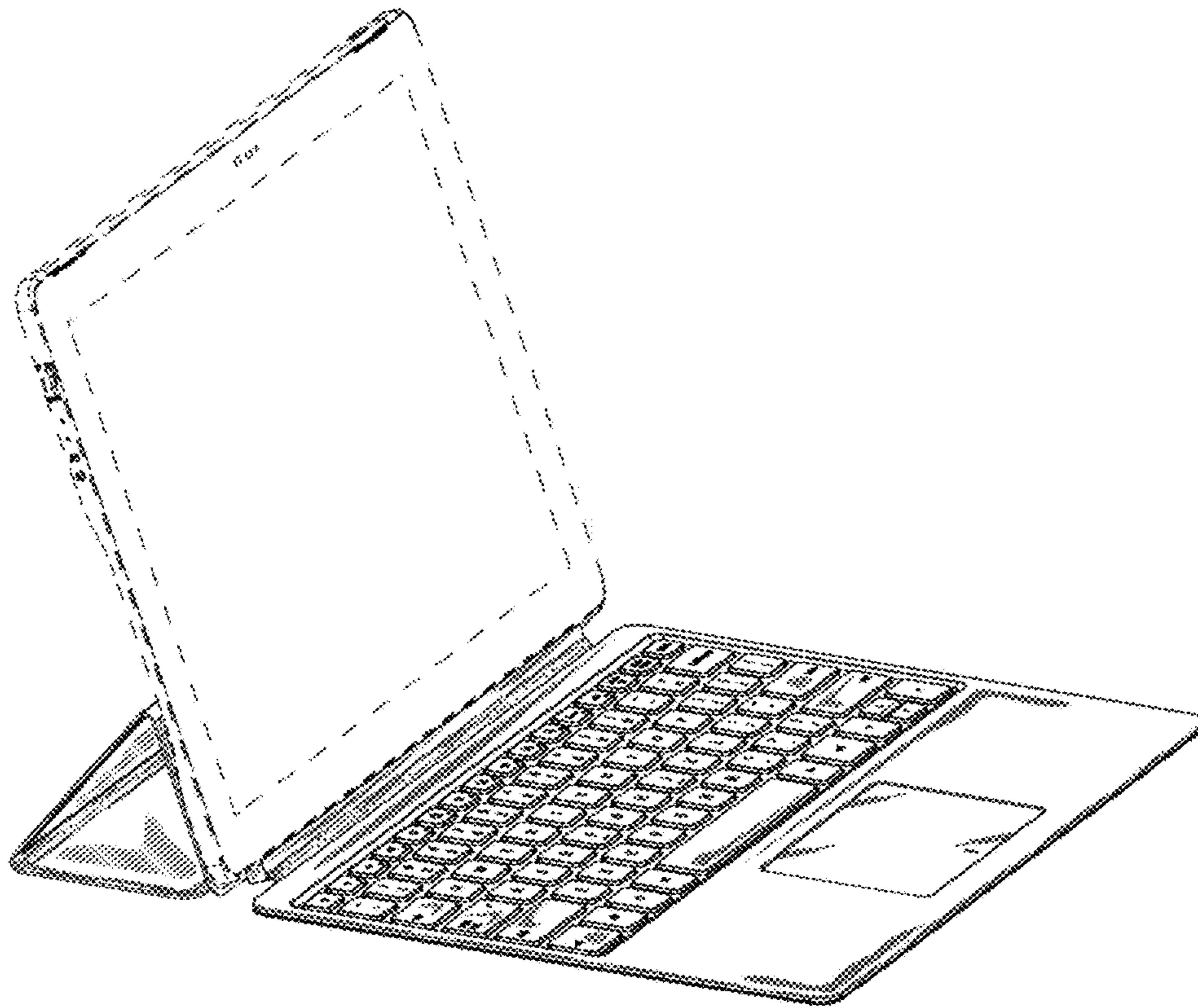


FIG. 12

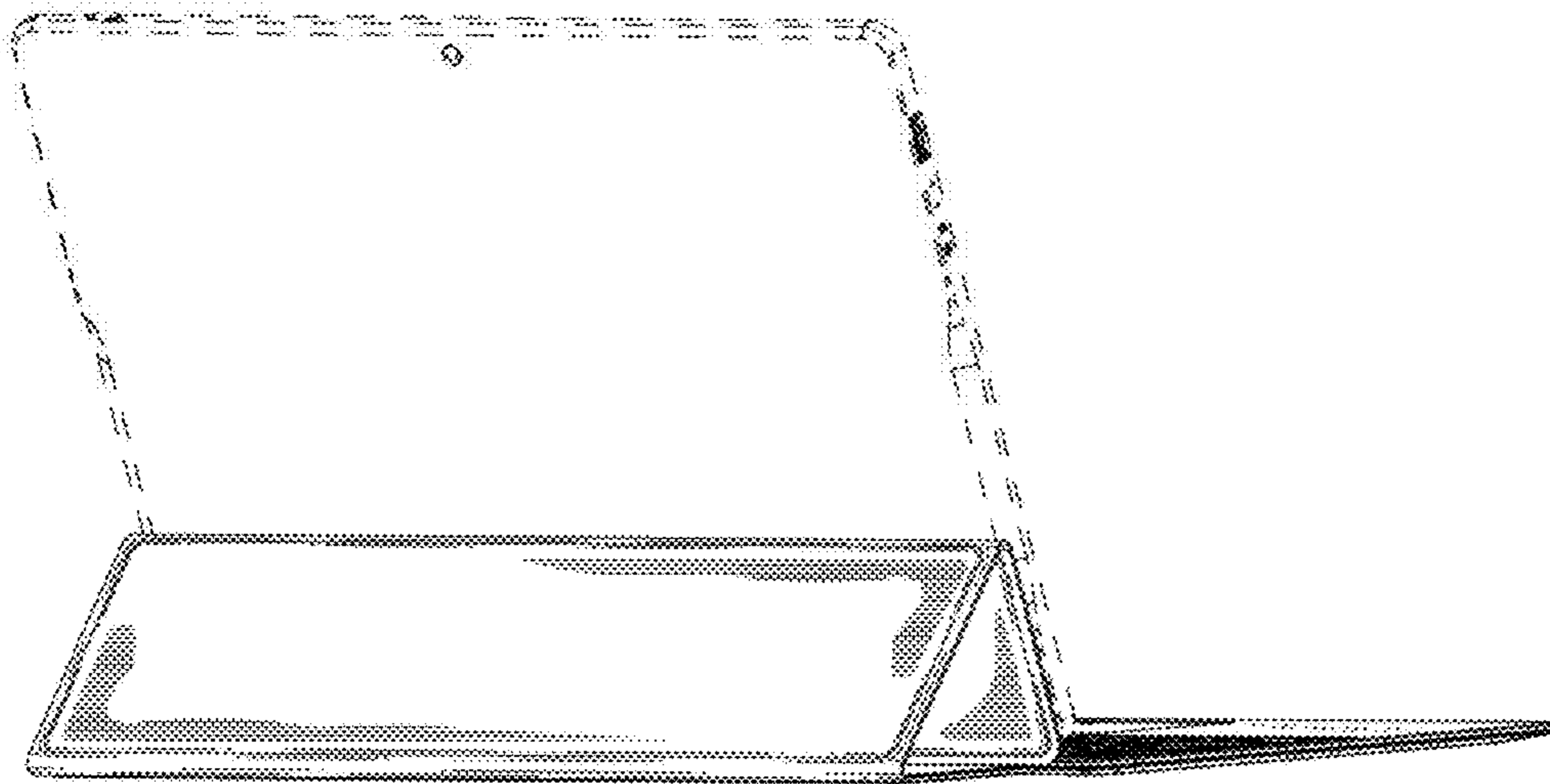


FIG. 13

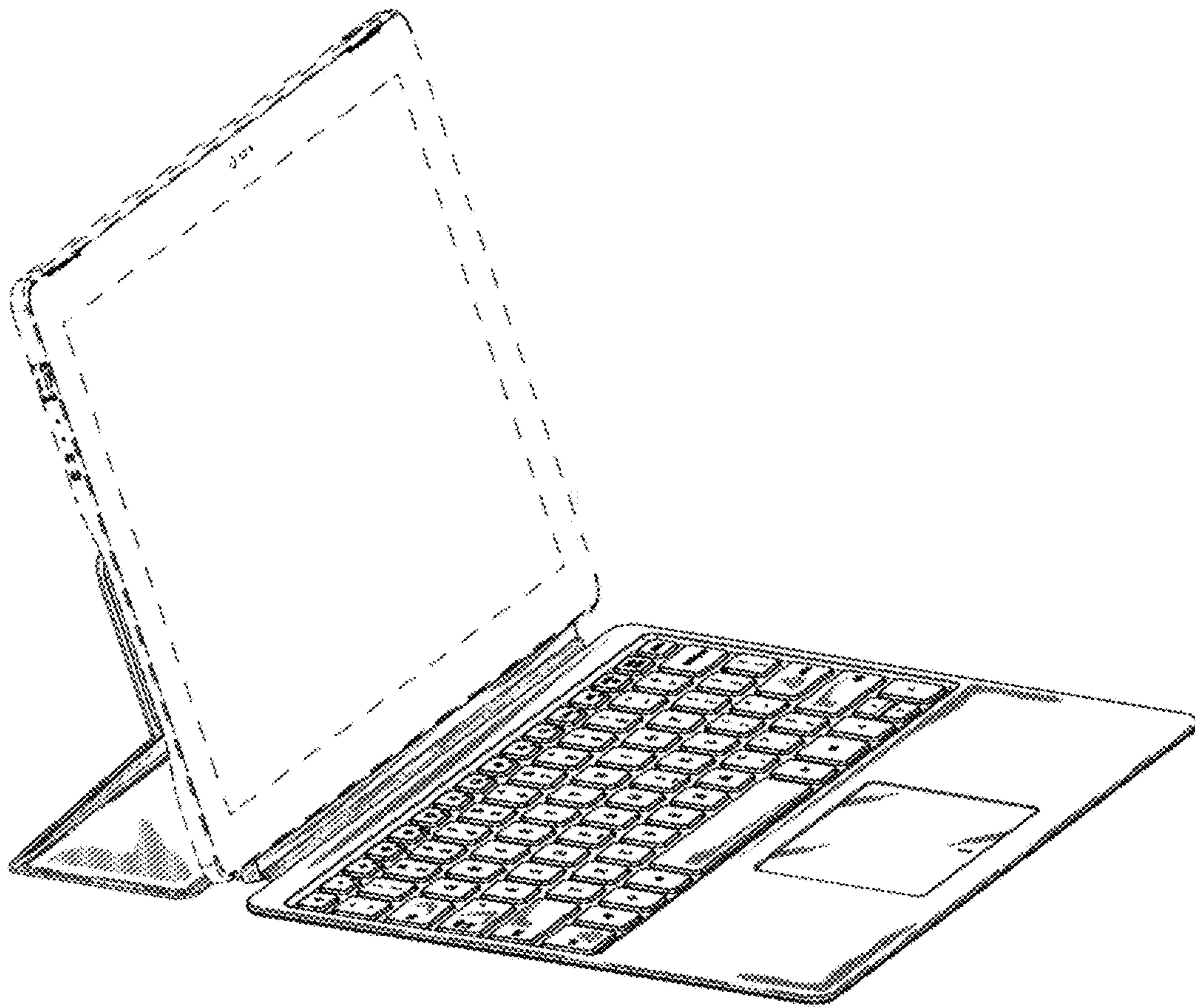


FIG. 14

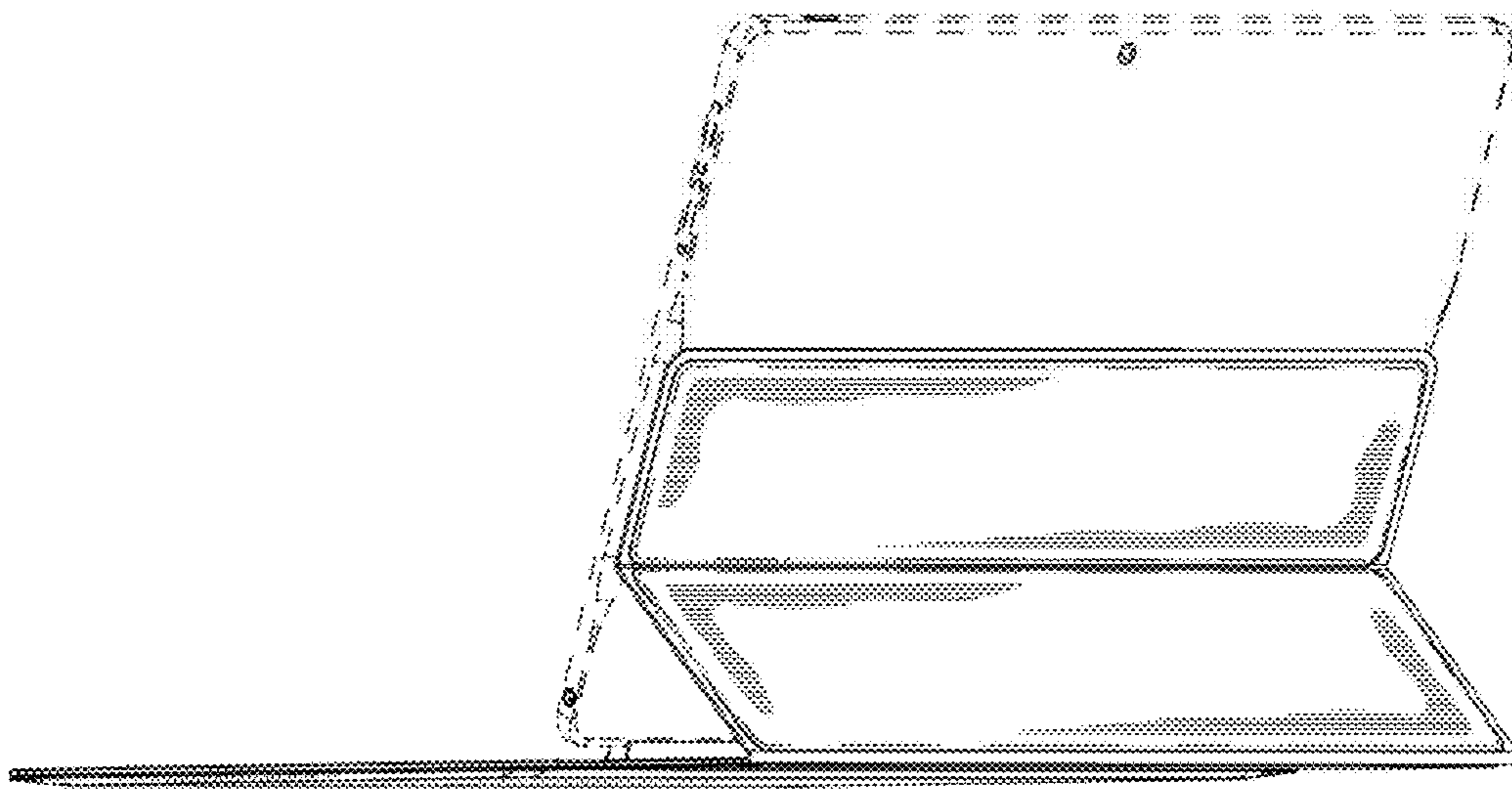


FIG. 15

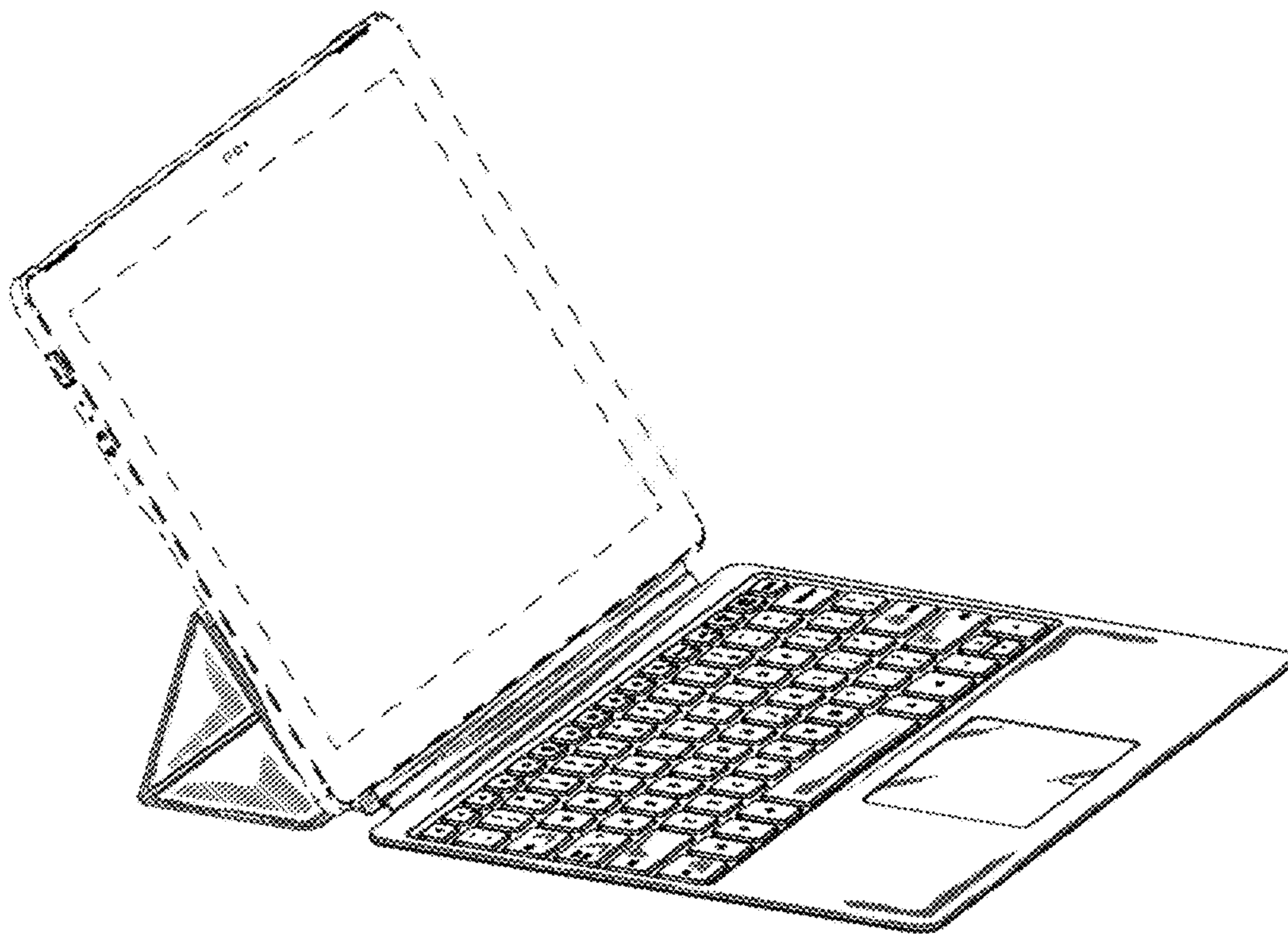


FIG. 16

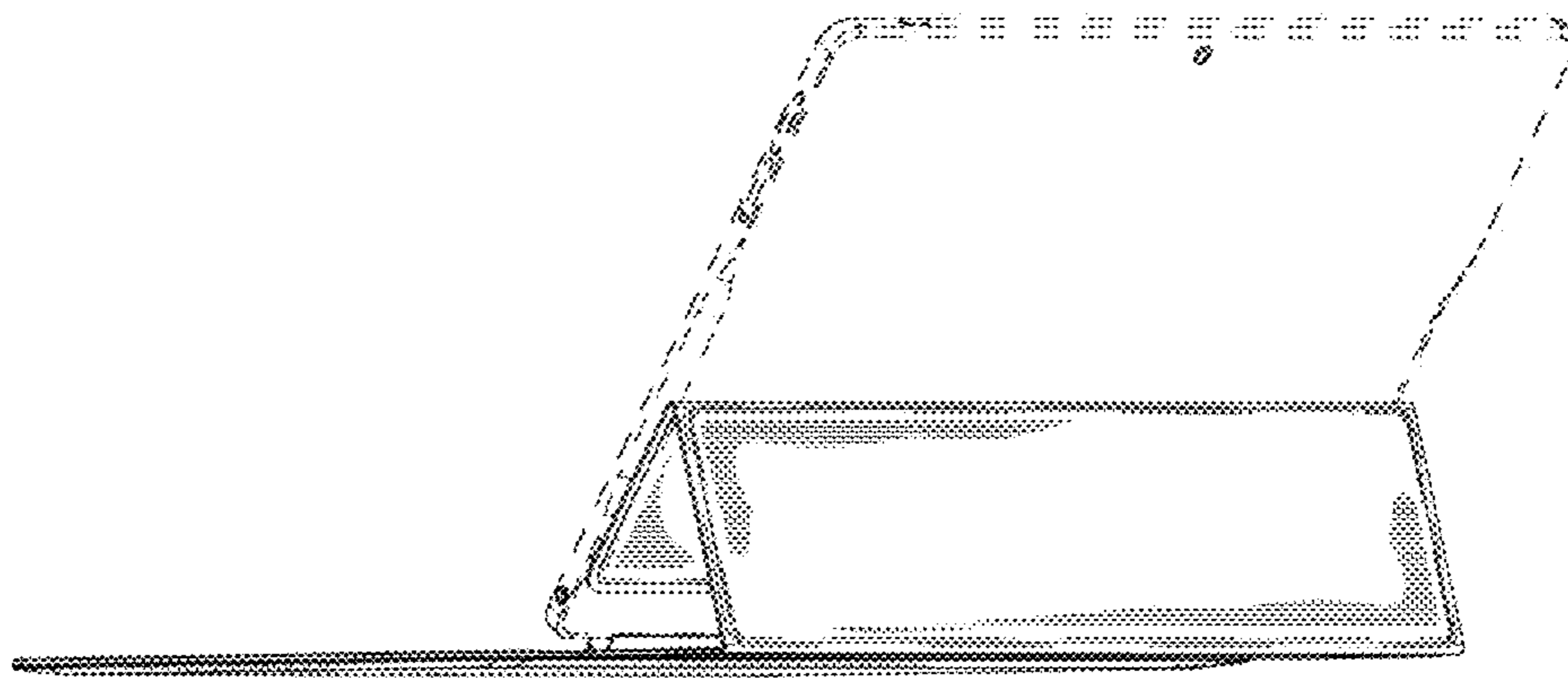


FIG. 17