



US00D807363S

(12) **United States Design Patent**
Hallier

(10) **Patent No.:** **US D807,363 S**
(45) **Date of Patent:** **** Jan. 9, 2018**

(54) **COMBINED WIRELESS KEYBOARD AND CASE FOR A PORTABLE ELECTRONIC DEVICE**

- (71) Applicant: **Typo Innovations, LLC**, Las Vegas, NV (US)
- (72) Inventor: **Laurence Hallier**, Las Vegas, NV (US)
- (73) Assignee: **Typo Innovations, LLC**, Las Vegas, NV (US)
- (**) Term: **15 Years**
- (21) Appl. No.: **29/553,918**
- (22) Filed: **Feb. 5, 2016**
- (51) **LOC (11) Cl.** **14-02**
- (52) **U.S. Cl.**
USPC **D14/440**
- (58) **Field of Classification Search**
USPC D14/440, 250, 447; 206/45.23, 320, 206/45.2; 361/679.55; 294/25; 224/218
CPC ... G06F 1/1628; G06F 1/1626; A47B 23/044; H04B 1/3888
See application file for complete search history.

(56) **References Cited**

U.S. PATENT DOCUMENTS

- D356,120 S * 3/1995 Allen D21/335
- D364,191 S * 11/1995 Allen D21/335
- D467,429 S * 12/2002 Bone D3/294

(Continued)

Primary Examiner — Cynthia Underwood

(74) *Attorney, Agent, or Firm* — Austin Rapp

(57) **CLAIM**

The ornamental design for a combined wireless keyboard and case for a portable electronic device, as shown and described.

DESCRIPTION

FIG. 1 is a front perspective view of one embodiment of our new design for a combined wireless keyboard and case for a portable electronic device, with the case shown in an open configuration;

FIG. 2 is a back perspective view of the embodiment shown in FIG. 1, with the case shown in the open configuration;

FIG. 3 is a front view of the embodiment shown in FIG. 1, with the case shown in the open configuration;

FIG. 4 is a back view of the embodiment shown in FIG. 1, with the case shown in the open configuration;

FIG. 5 is a side view of the embodiment shown in FIG. 1, with the case shown in the open configuration;

FIG. 6 is another side view of the embodiment shown in FIG. 1, with the case shown in the open configuration;

FIG. 7 is a top view of the embodiment shown in FIG. 1, with the case shown in the open configuration;

FIG. 8 is a bottom view of the embodiment shown in FIG. 1, with the case shown in the open configuration;

FIG. 9 is a front perspective view of the embodiment shown in FIG. 1, with the case shown in a closed configuration;

FIG. 10 is a back perspective view of the embodiment shown in FIG. 1, with the case shown in the closed configuration;

FIG. 11 is a front view of the embodiment shown in FIG. 1, with the case shown in the closed configuration;

FIG. 12 is a back view of the embodiment shown in FIG. 1, with the case shown in the closed configuration;

FIG. 13 is a side view of the embodiment shown in FIG. 1, with the case shown in the closed configuration;

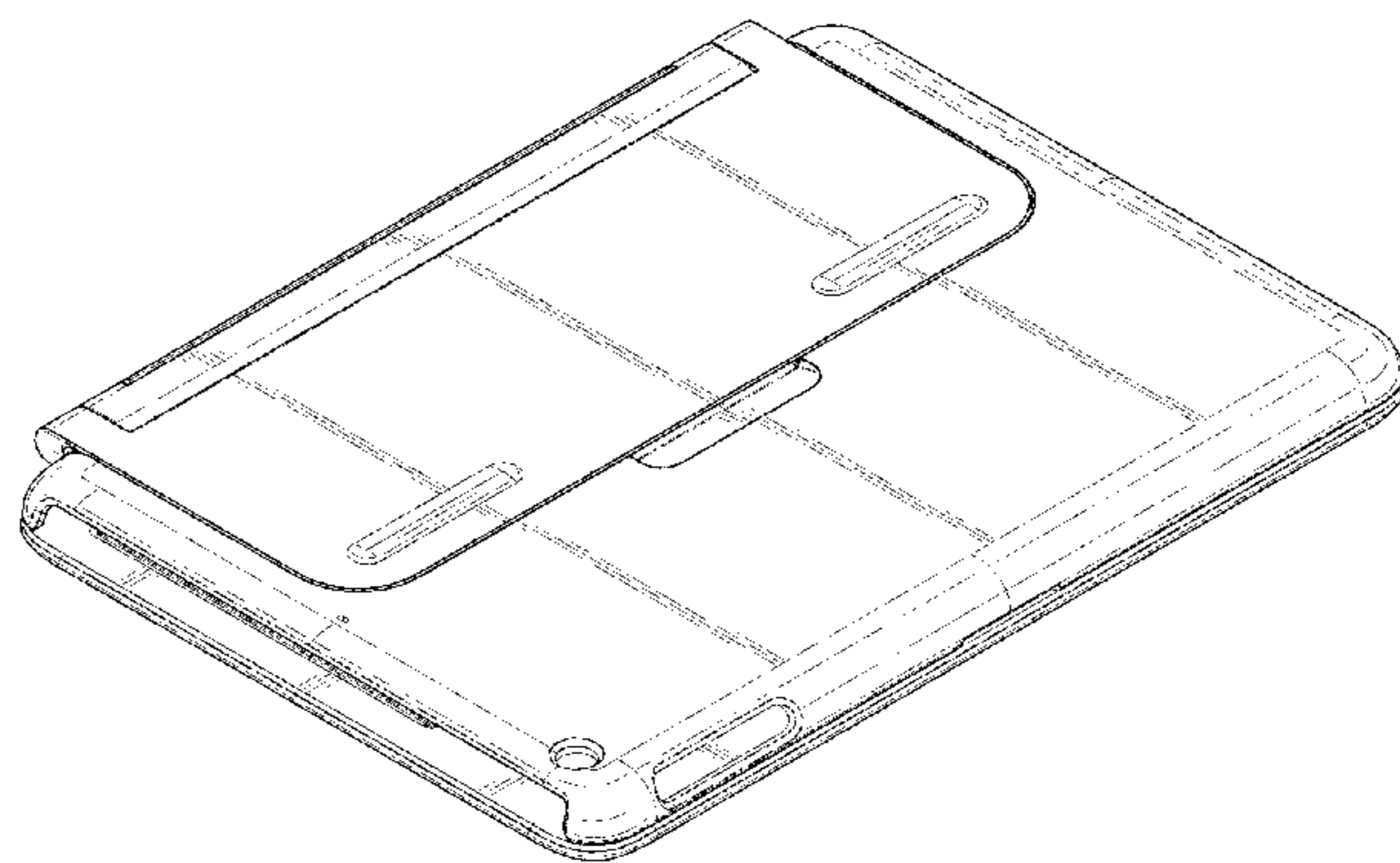
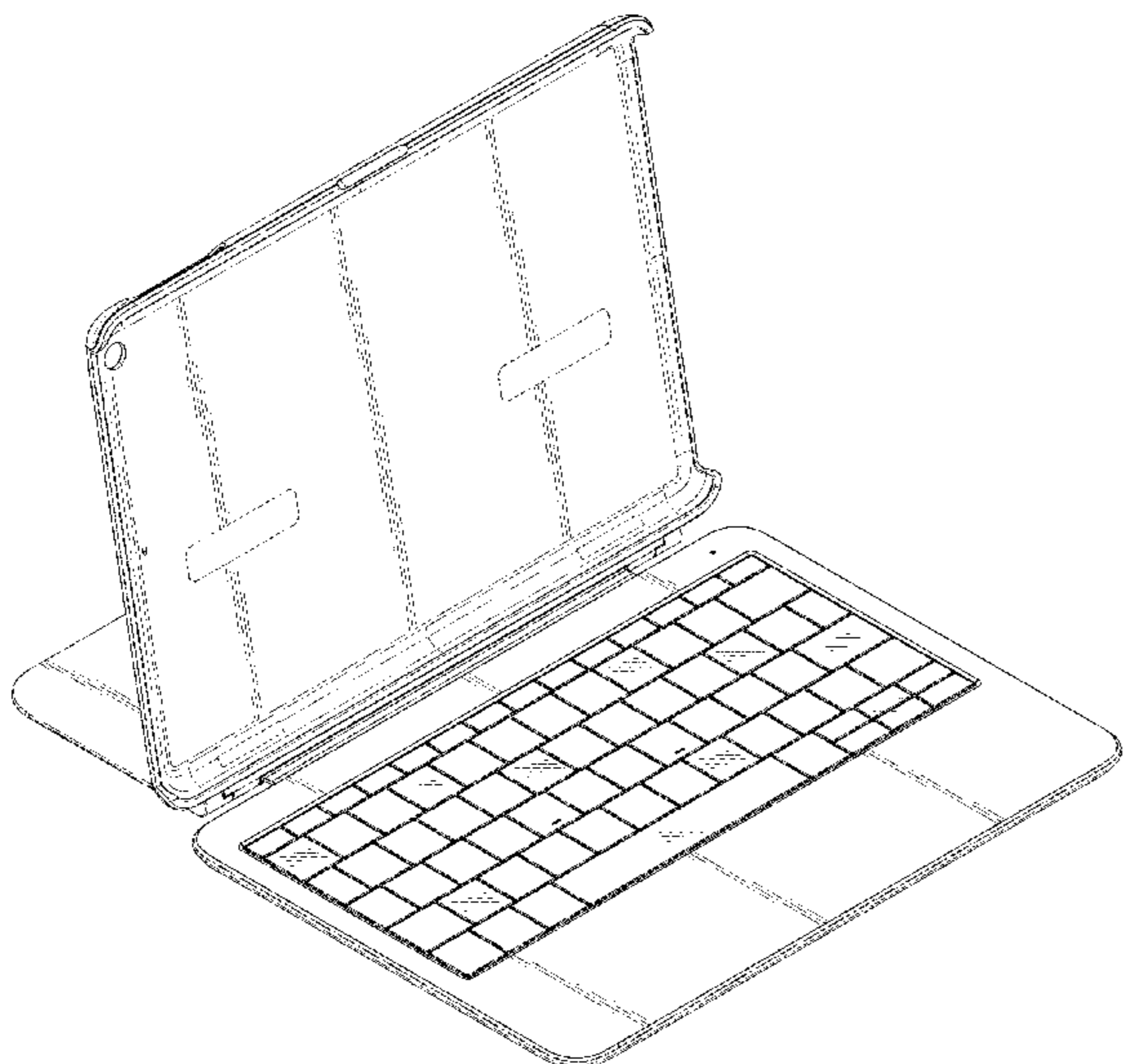
FIG. 14 is another side view of the embodiment shown in FIG. 1, with the case shown in the closed configuration;

FIG. 15 is a top view of the embodiment shown in FIG. 1, with the case shown in the closed configuration; and,

FIG. 16 is a bottom view of the embodiment shown in FIG. 1, with the case shown in the closed configuration.

The broken lines represent environment that forms no part of the claim.

1 Claim, 16 Drawing Sheets



(56)

References Cited

U.S. PATENT DOCUMENTS

D658,187 S *	4/2012	Diebel	G06F 1/1628	D14/440
D658,188 S *	4/2012	Diebel		D14/440
D658,877 S *	5/2012	Janus	D3/301	
D663,304 S *	7/2012	Akana		D14/440
D672,781 S *	12/2012	Lu		D14/440
D675,625 S *	2/2013	Hasbrook		D14/440
D678,260 S *	3/2013	Bau		D14/132
D679,279 S *	4/2013	Yang		D14/440
D679,715 S *	4/2013	Akana		D14/440
D681,641 S *	5/2013	Van Den		Nieuwenhuizen D14/440
D687,438 S *	8/2013	Lu		D14/440
D691,142 S *	10/2013	Diebel		D14/440
D692,432 S *	10/2013	Liu		D14/440
D696,253 S *	12/2013	Akana		D14/345
D696,669 S *	12/2013	Akana		D14/440
8,766,921 B2 *	7/2014	Ballagas	G06F 1/1626	345/168
D713,848 S *	9/2014	Akana		D14/440
D714,791 S *	10/2014	Liu		D14/440
D726,731 S *	4/2015	Kim		D14/440
D770,457 S *	11/2016	Massucco		D14/440
D772,880 S *	11/2016	Corcoran		D14/440
D779,494 S *	2/2017	Hallier		D14/252
D784,348 S *	4/2017	Zhang		D14/440
D792,884 S *	7/2017	Nyholm		D14/440
2009/0107858 A1 *	4/2009	Huang	A45C 9/00	206/214
2009/0201254 A1 *	8/2009	Rais	G06F 1/1613	345/168
2012/0308981 A1 *	12/2012	Libin	G09B 3/00	434/362
2013/0020216 A1 *	1/2013	Chiou	G06F 1/1626	206/320
2013/0048520 A1 *	2/2013	Garrett	A45F 5/00	206/320
2013/0214661 A1 *	8/2013	McBroom	G06F 1/1667	312/325
2013/0233762 A1 *	9/2013	Balaji	B65D 25/00	206/736
2015/0296060 A1 *	10/2015	Gu	H04M 1/0235	455/575.4
2015/0296068 A1 *	10/2015	Chin	G06F 1/1628	455/575.8

* cited by examiner

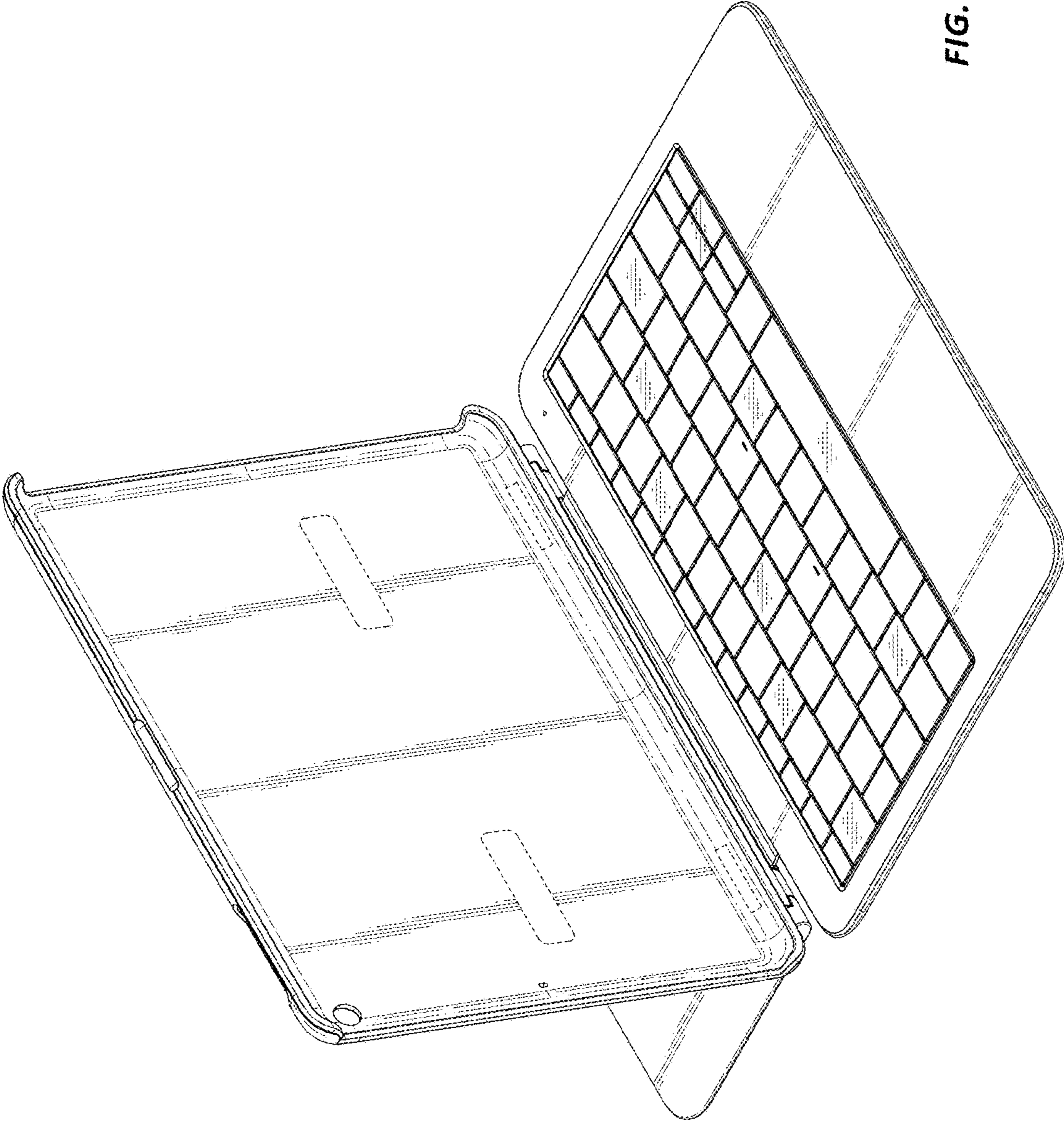


FIG. 1

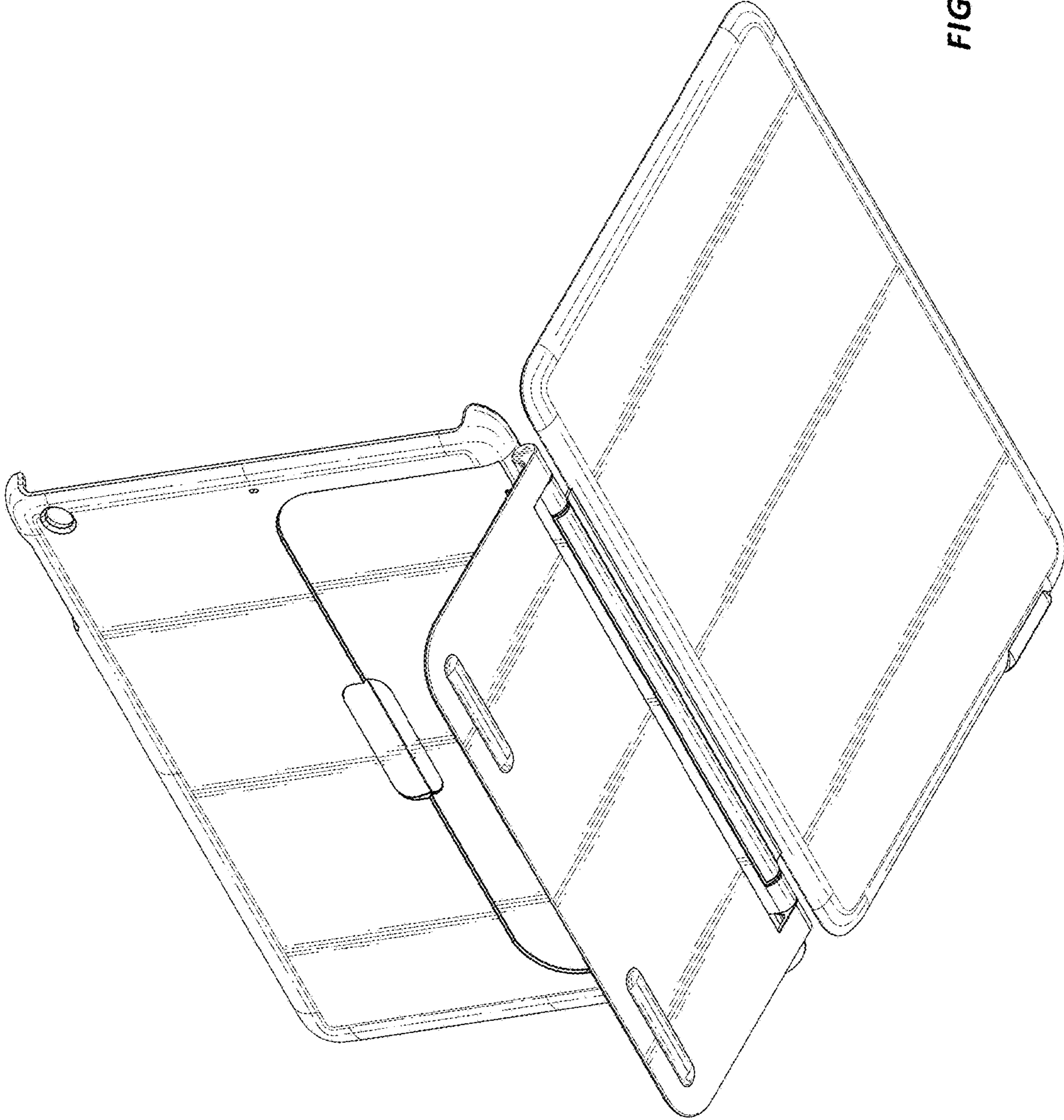


FIG. 2

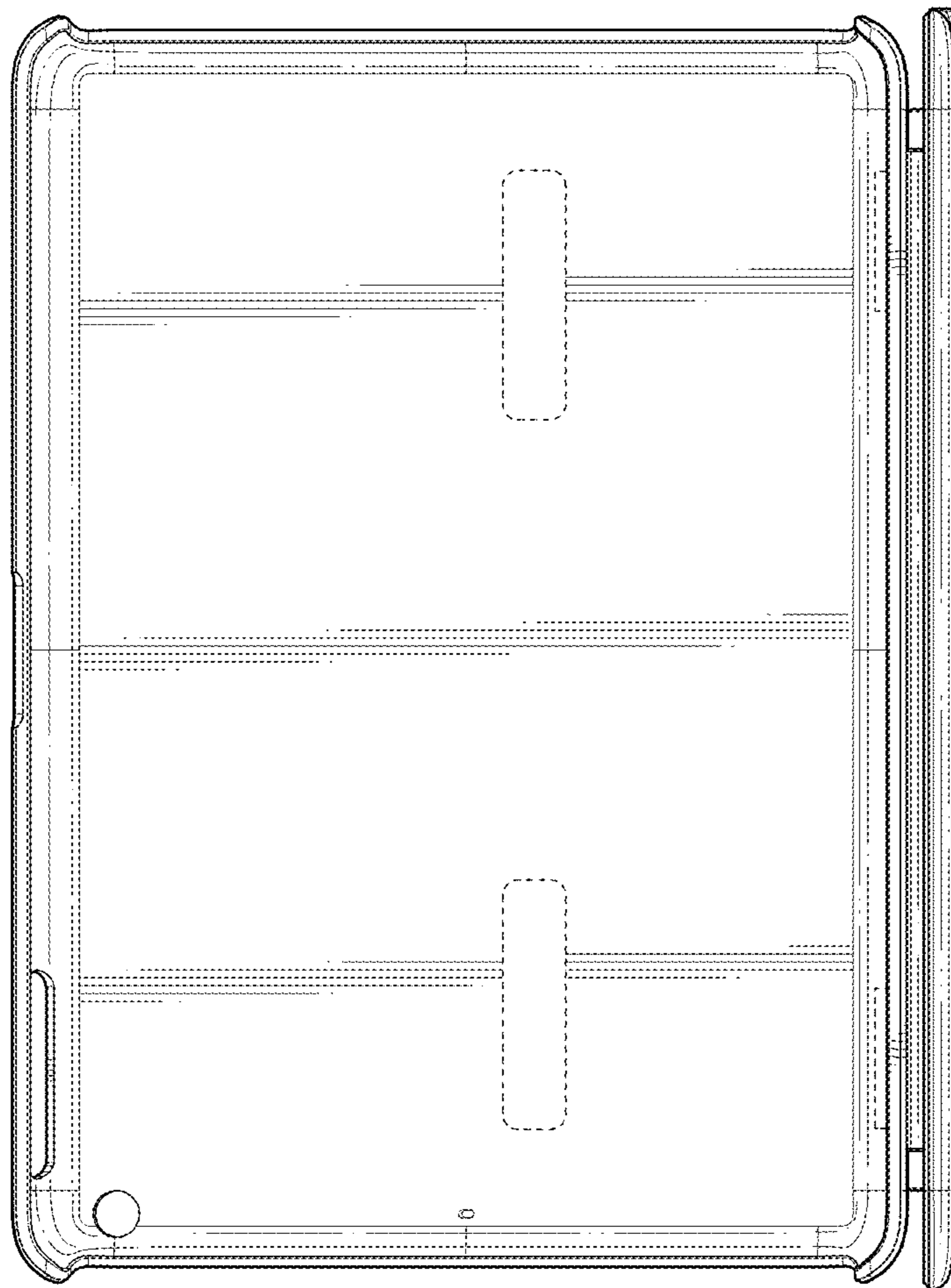


FIG. 3

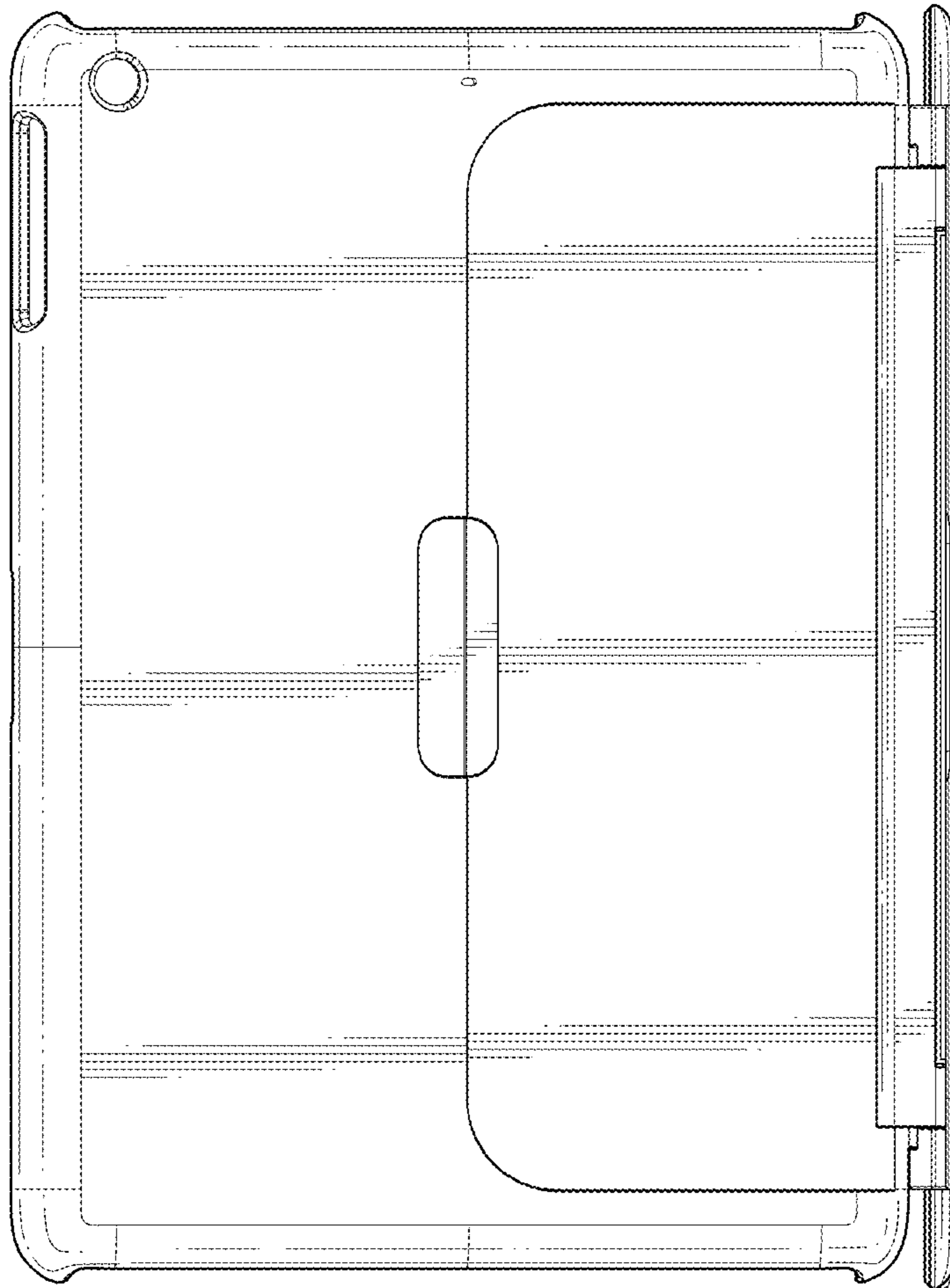


FIG. 4

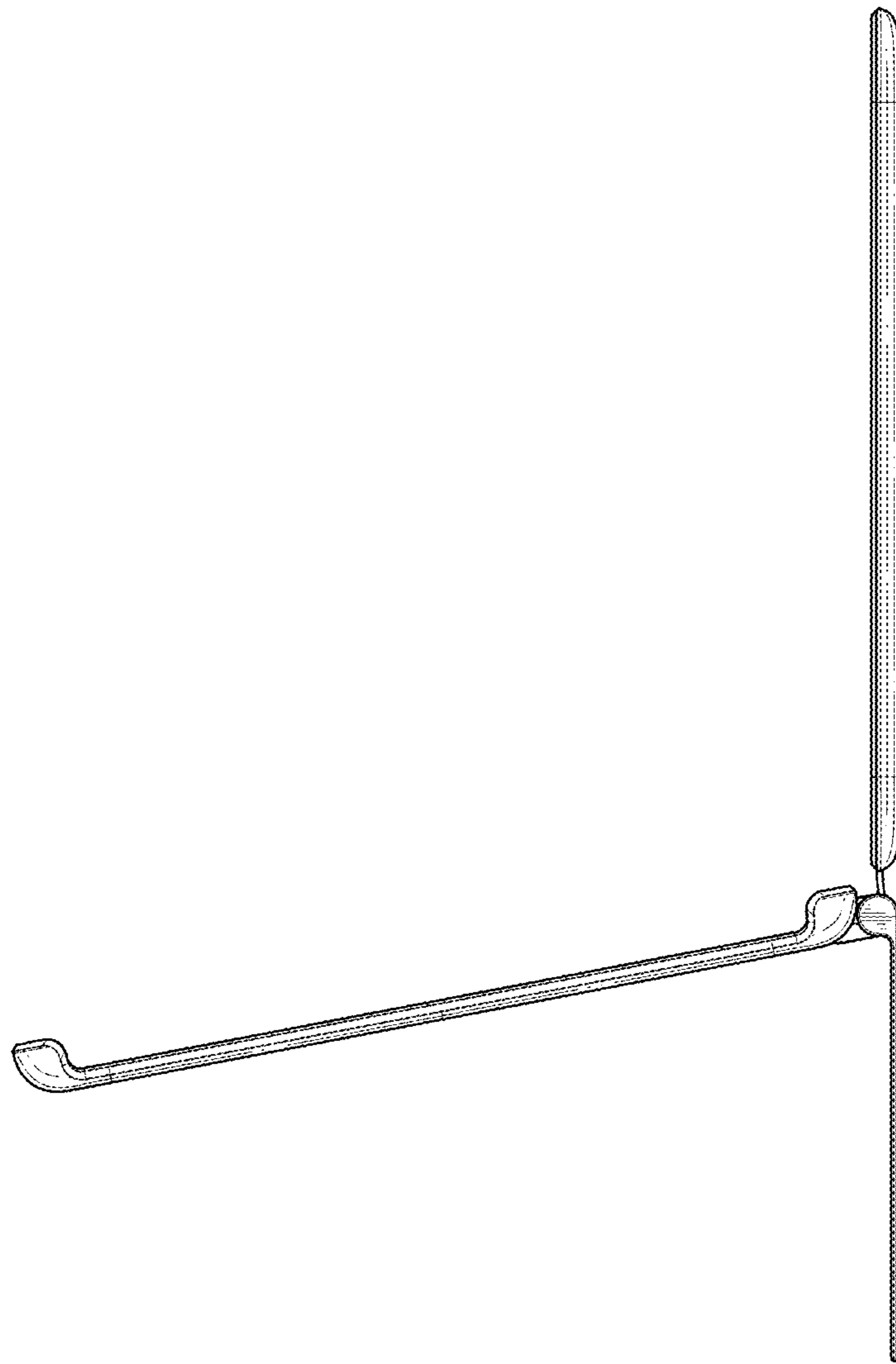


FIG. 5

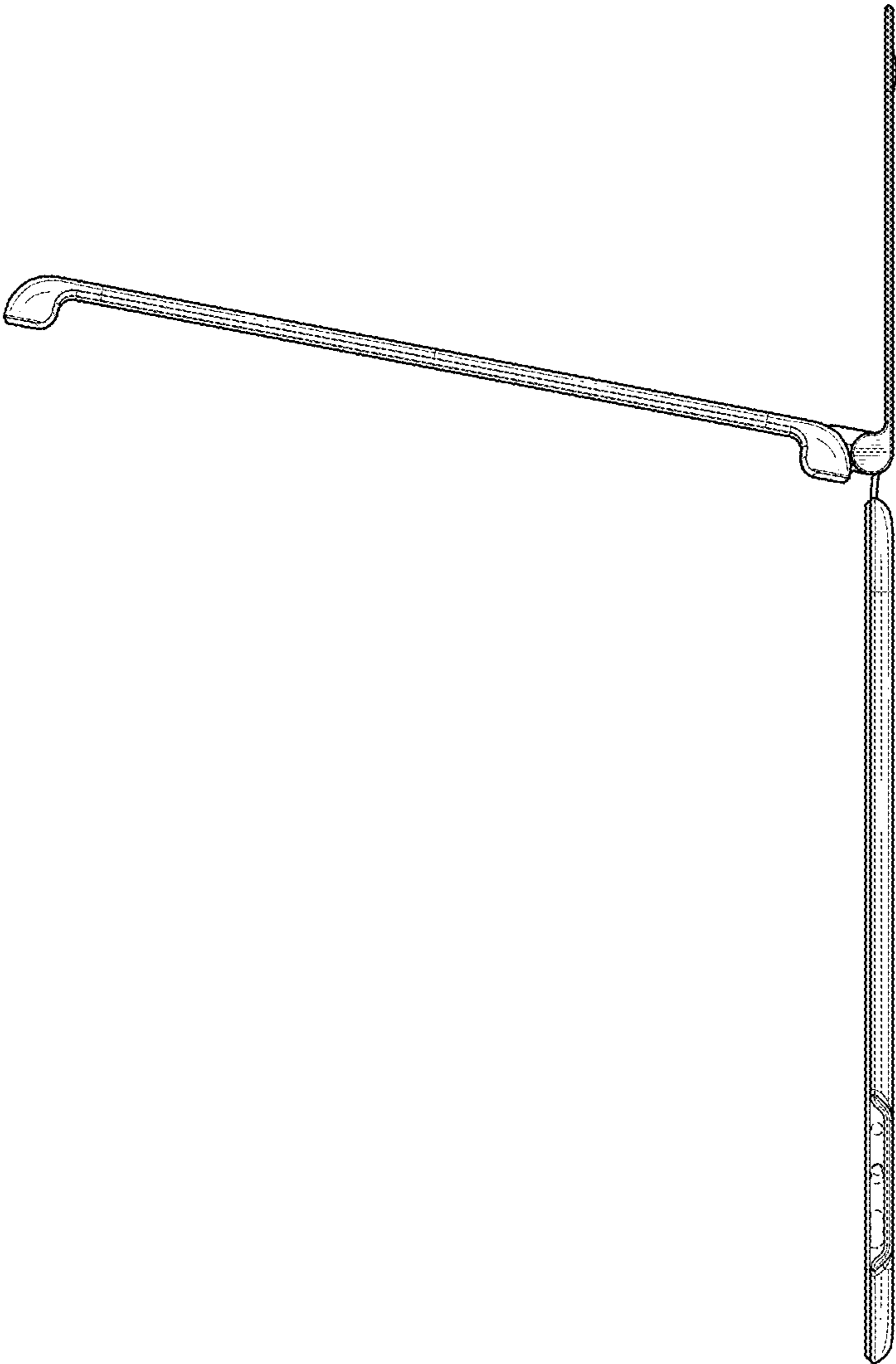


FIG. 6

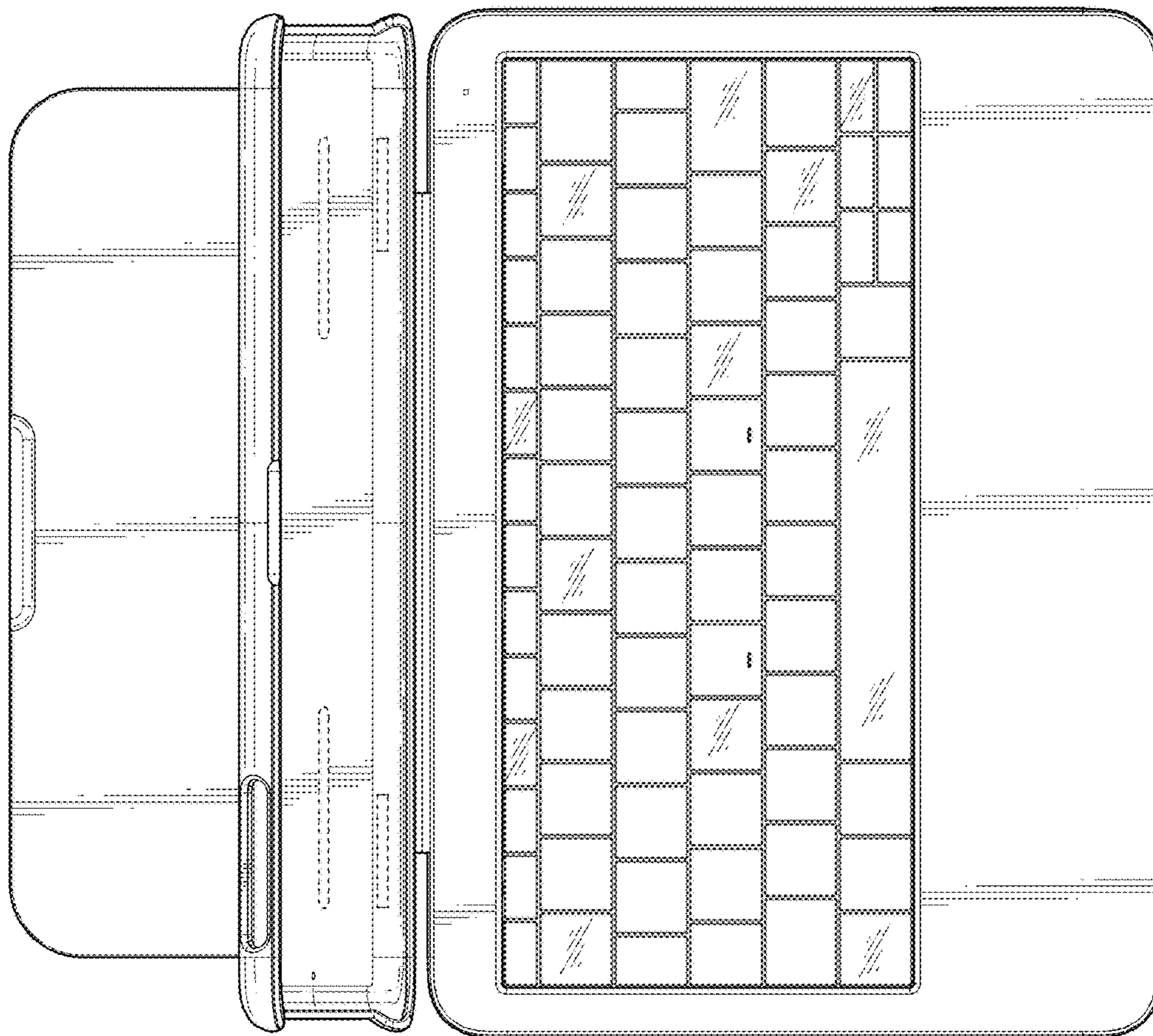


FIG. 7

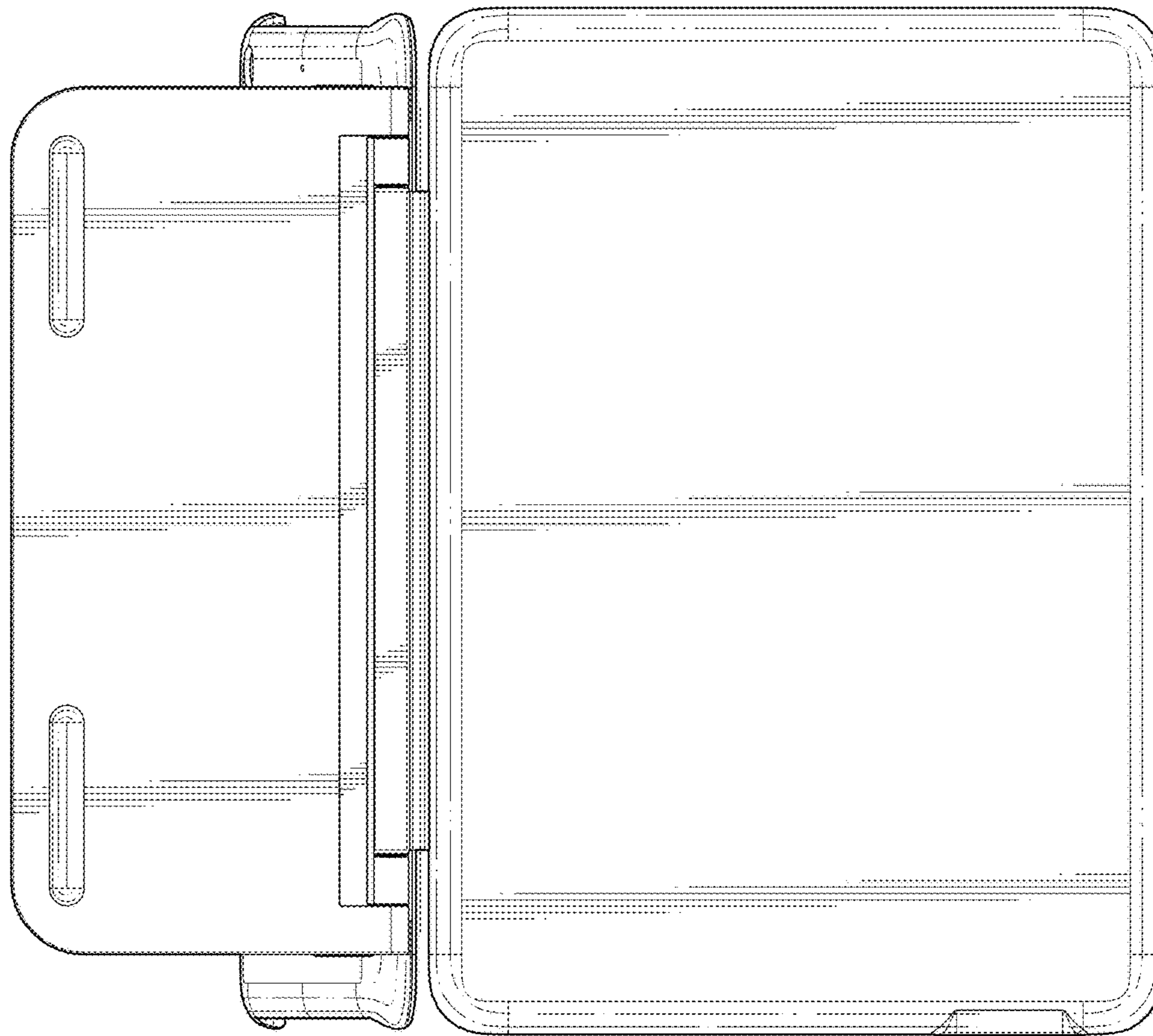


FIG. 8

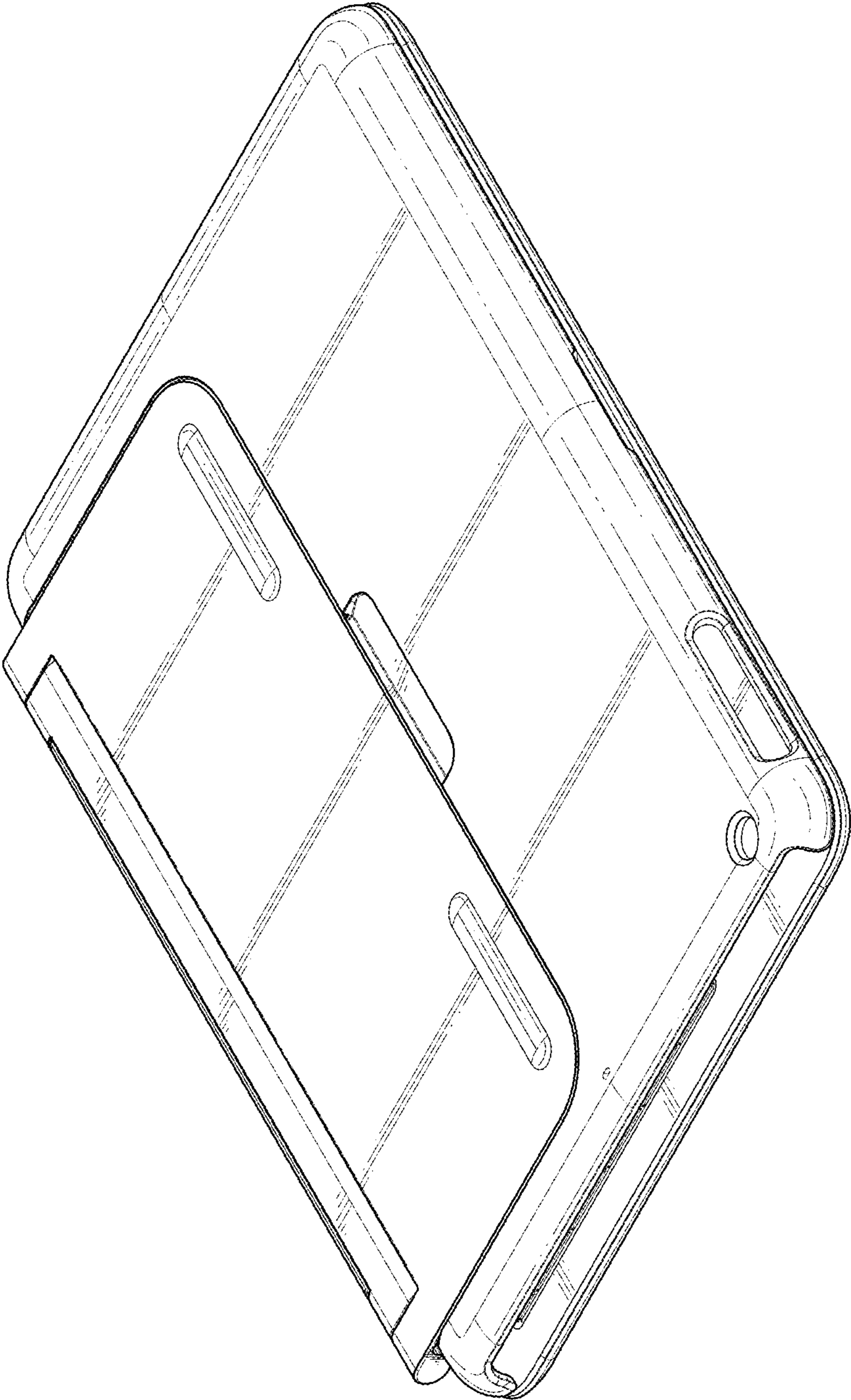


FIG. 9

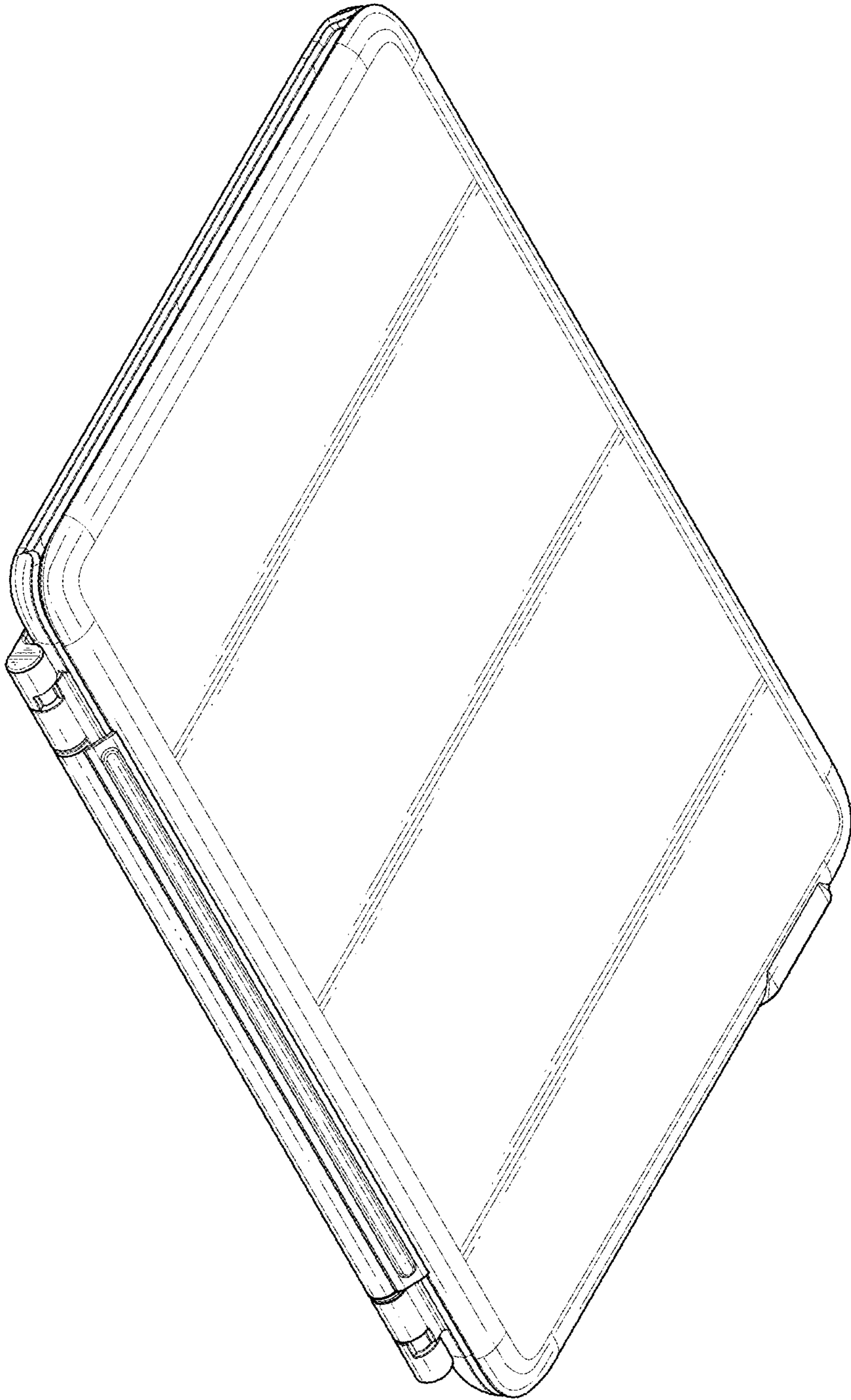


FIG. 10

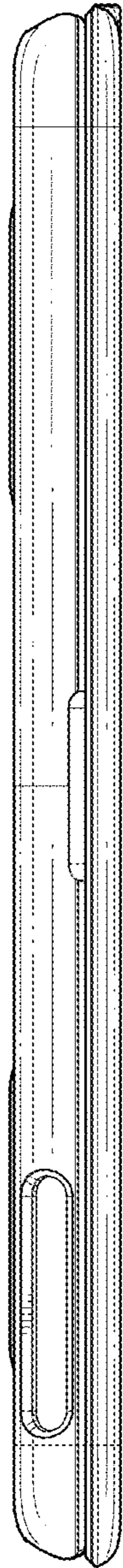


FIG. 11

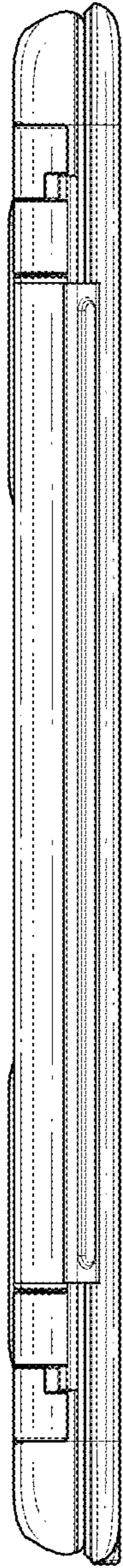


FIG. 12

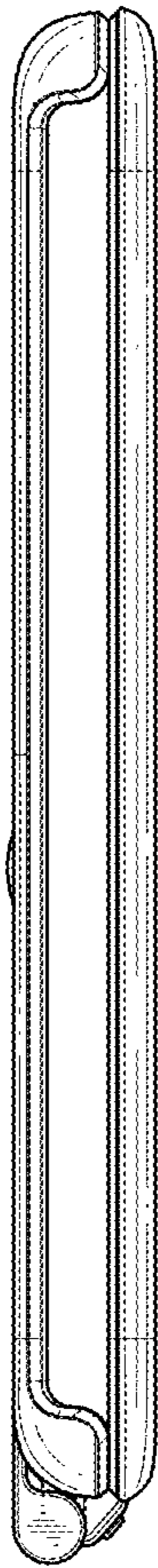


FIG. 13

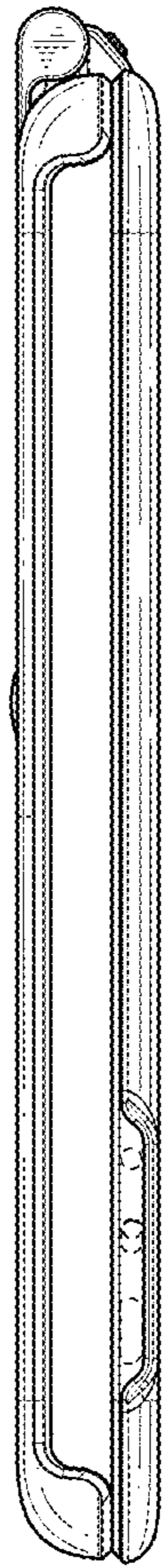


FIG. 14

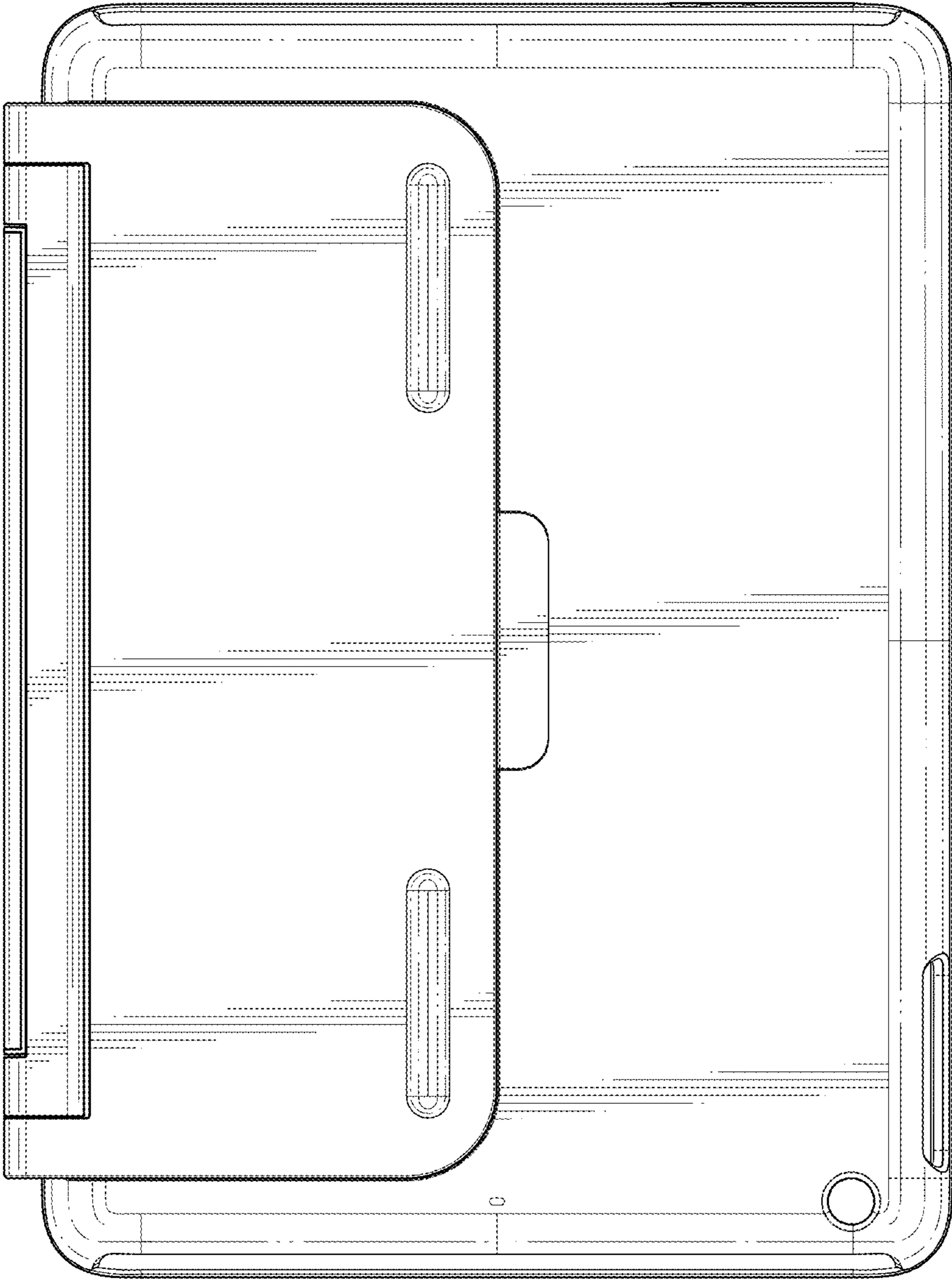


FIG. 15

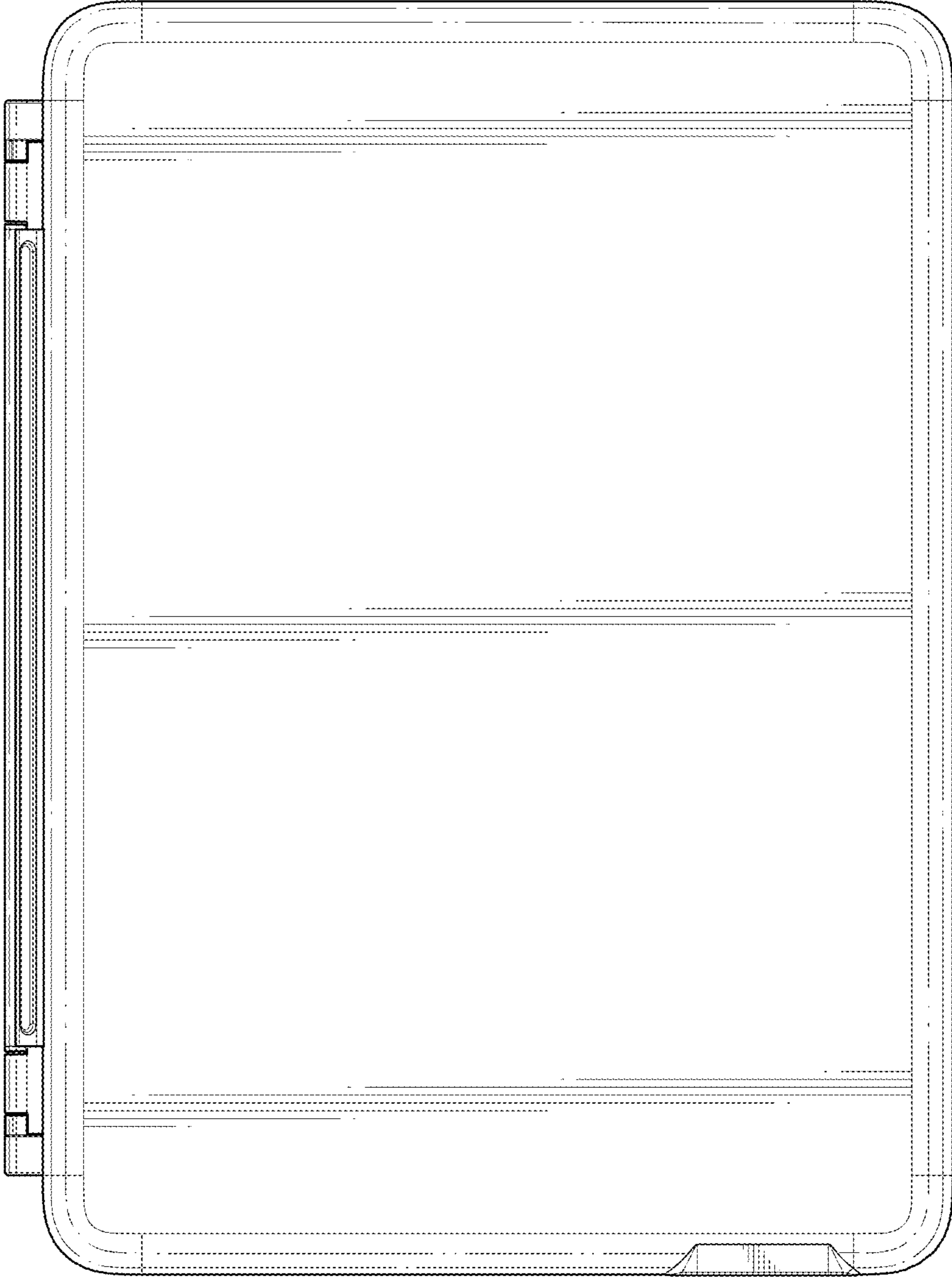


FIG. 16