



US00D807357S

(12) **United States Design Patent**
Wu et al.

(10) **Patent No.:** **US D807,357 S**
(45) **Date of Patent:** **** Jan. 9, 2018**

- (54) **DISPLAY DEVICE**
- (71) Applicant: **Quanta Computer Inc.**, Taoyuan (TW)
- (72) Inventors: **Chien-Ming Wu**, Taoyuan (TW);
Gwo-Chyuan Chen, Taoyuan (TW);
Shih-Yun Lee, Taoyuan (TW)
- (73) Assignee: **QUANTA COMPUTER INC.**,
Guishan Dist., Taoyuan (TW)
- (**) Term: **15 Years**
- (21) Appl. No.: **29/594,129**
- (22) Filed: **Feb. 15, 2017**

D704,706 S *	5/2014	Serota	D14/372
D719,953 S *	12/2014	Nokuo	D14/372
D740,815 S *	10/2015	Bosveld	D14/372
D753,112 S *	4/2016	Fei	D14/372
D764,467 S *	8/2016	Nokuo	D14/372
D776,110 S *	1/2017	Gribetz	D14/372
D778,909 S *	2/2017	Nokuo	D14/372
D785,619 S *	5/2017	Su	D14/372
D791,129 S *	7/2017	Sullivan	D14/372
D792,399 S *	7/2017	Thomas	D14/372
D795,867 S *	8/2017	Huang	D14/372
D796,507 S *	9/2017	Chen	D14/372
D798,298 S *	9/2017	Haber	D14/372
D798,862 S *	10/2017	Wang	D14/372
D800,117 S *	10/2017	Yee	D14/372
D800,726 S *	10/2017	Su	D14/372
D800,727 S *	10/2017	Mullins	D14/372

* cited by examiner

(30) **Foreign Application Priority Data**

Dec. 15, 2016 (TW) 105307608

(51) **LOC (11) Cl.** **14-02**

(52) **U.S. Cl.**
USPC **D14/372**

(58) **Field of Classification Search**
USPC D14/372, 496, 432, 371, 125, 126, 129,
D14/299; D16/300-342; 351/158, 153,
351/144; 345/7-9, 905; 455/344;
348/115, 53, 121, 739
CPC G02B 27/017; G02B 27/0158; G02B
27/0161; G02B 27/0181; G02B 27/0185;
G02B 27/0189
See application file for complete search history.

(56) **References Cited**

U.S. PATENT DOCUMENTS

D440,967 S * 4/2001 Jung D14/372
D695,738 S * 12/2013 Kumagai D14/372

Primary Examiner — Austin Murphy

(74) *Attorney, Agent, or Firm* — McClure, Qualey & Rodack, LLP

(57) **CLAIM**

The design for display device, is as shown and described.

DESCRIPTION

FIG. 1 is a perspective view of a display device, such as a head mounted display, a virtual reality display, an augmented reality display, or a mixed reality display, in accordance with our new design;

FIG. 2 is a front view thereof;

FIG. 3 is a rear view thereof;

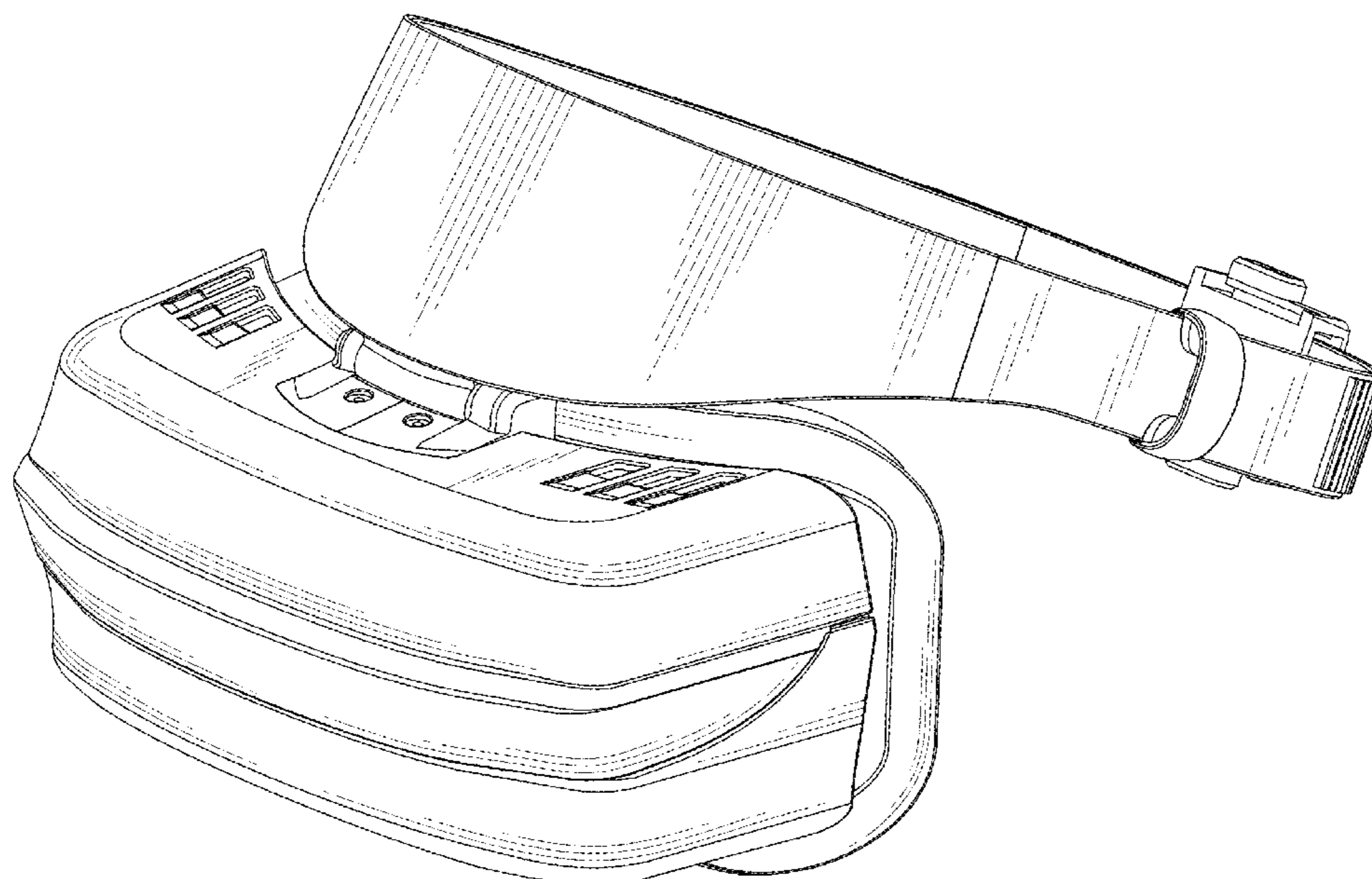
FIG. 4 is a left side view thereof;

FIG. 5 is a right side view thereof;

FIG. 6 is a top view thereof; and,

FIG. 7 is a bottom view thereof.

1 Claim, 7 Drawing Sheets



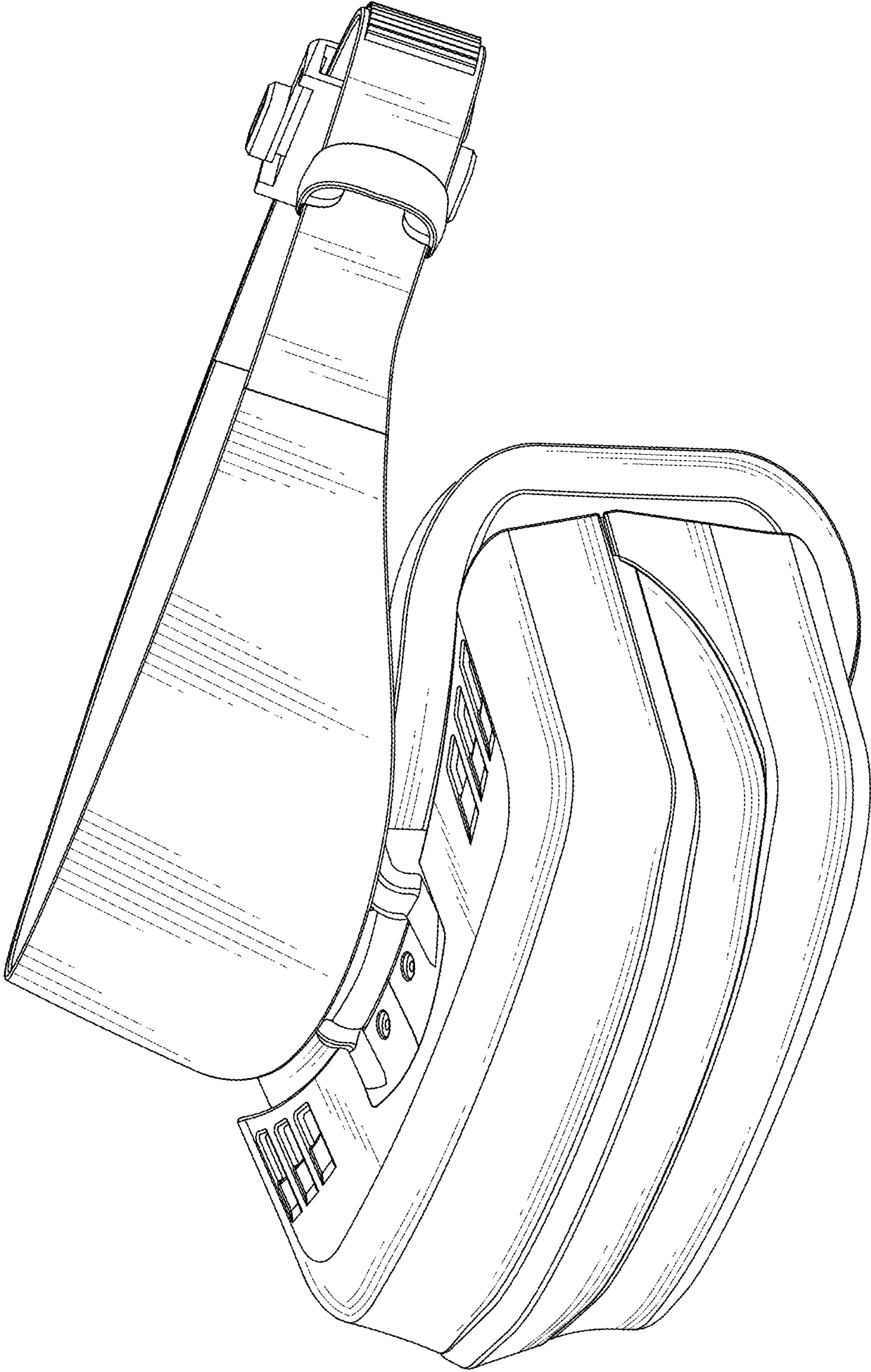


FIG. 1

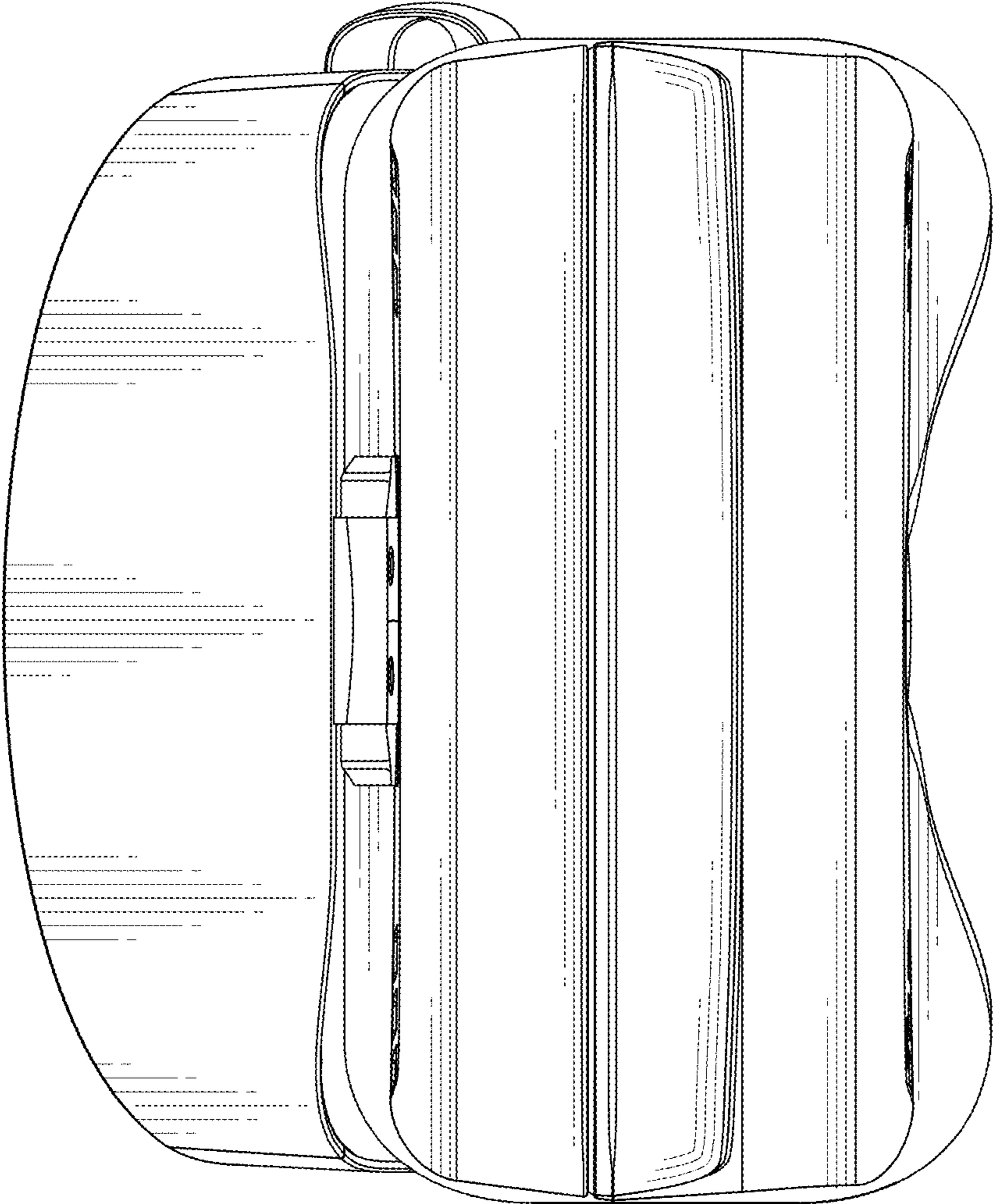


FIG. 2

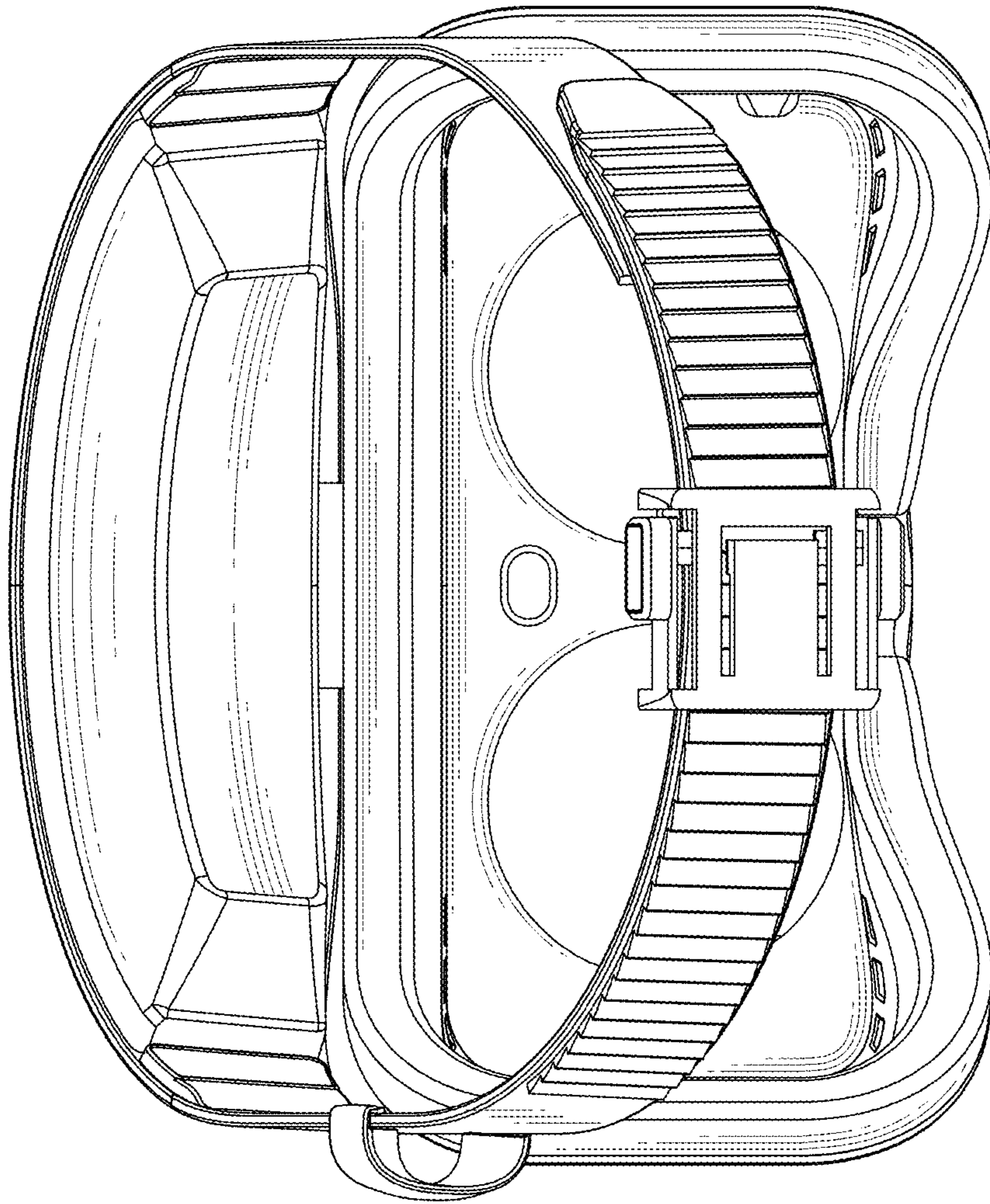


FIG. 3

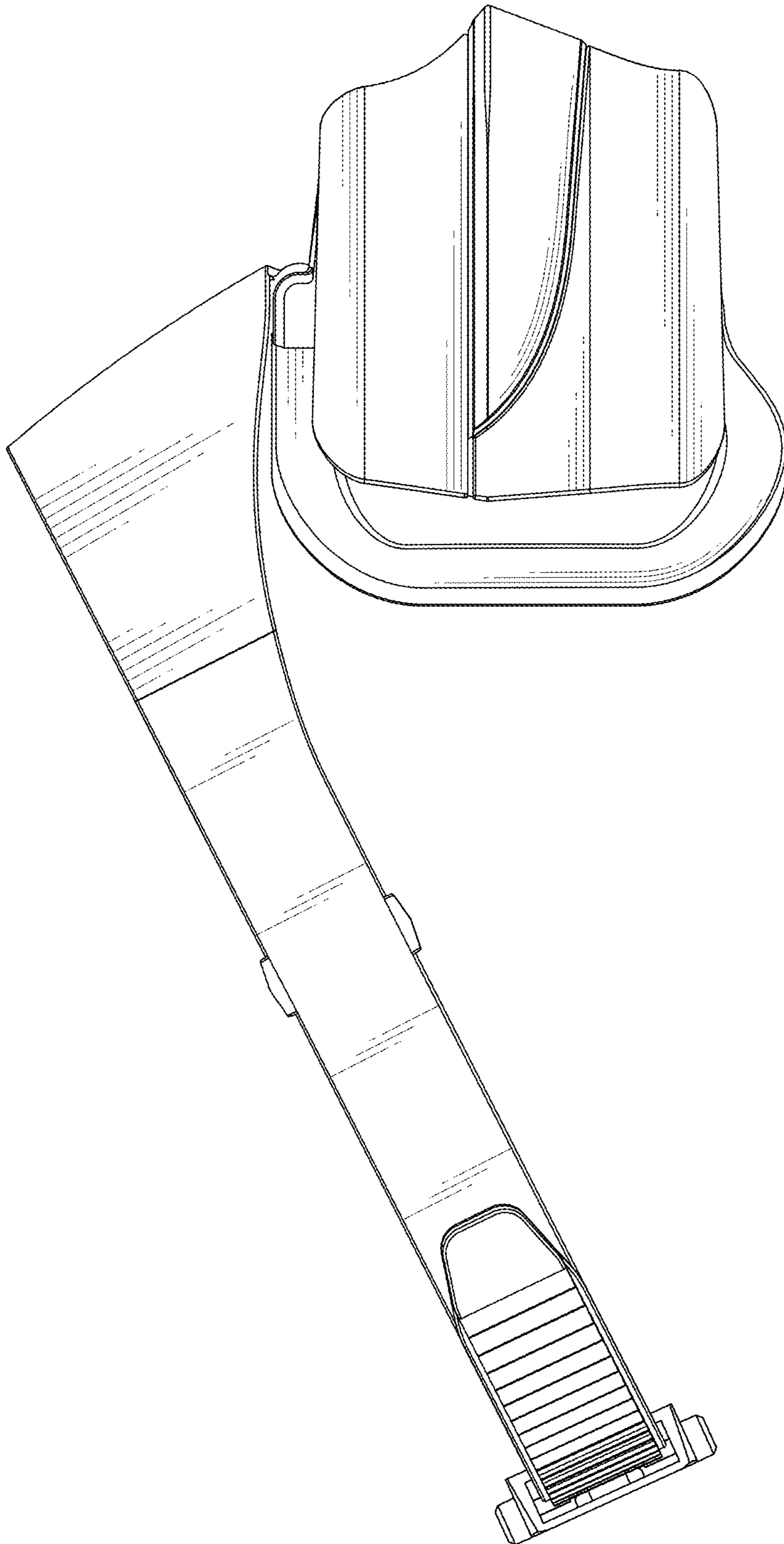


FIG. 4

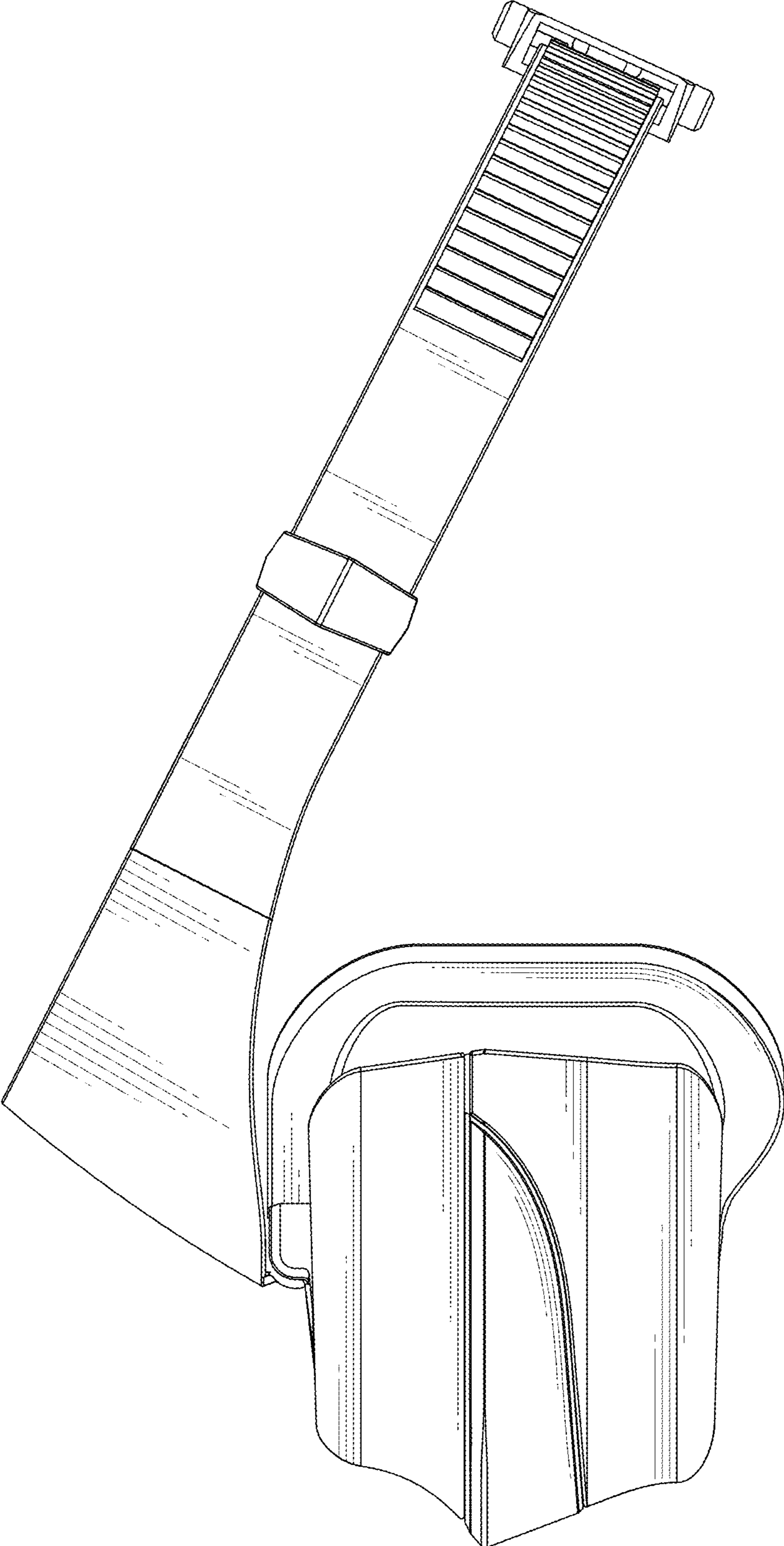


FIG. 5

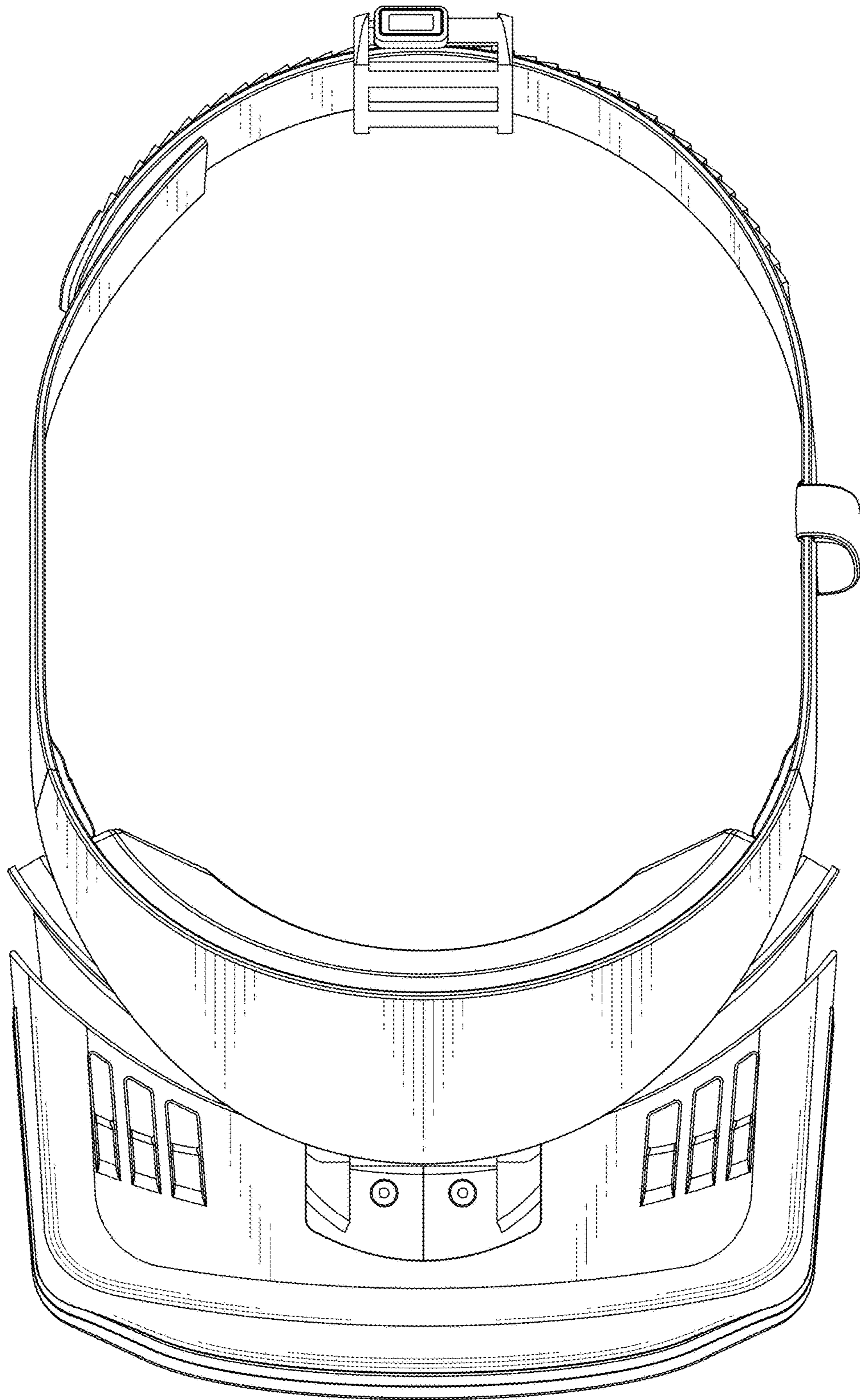


FIG. 6

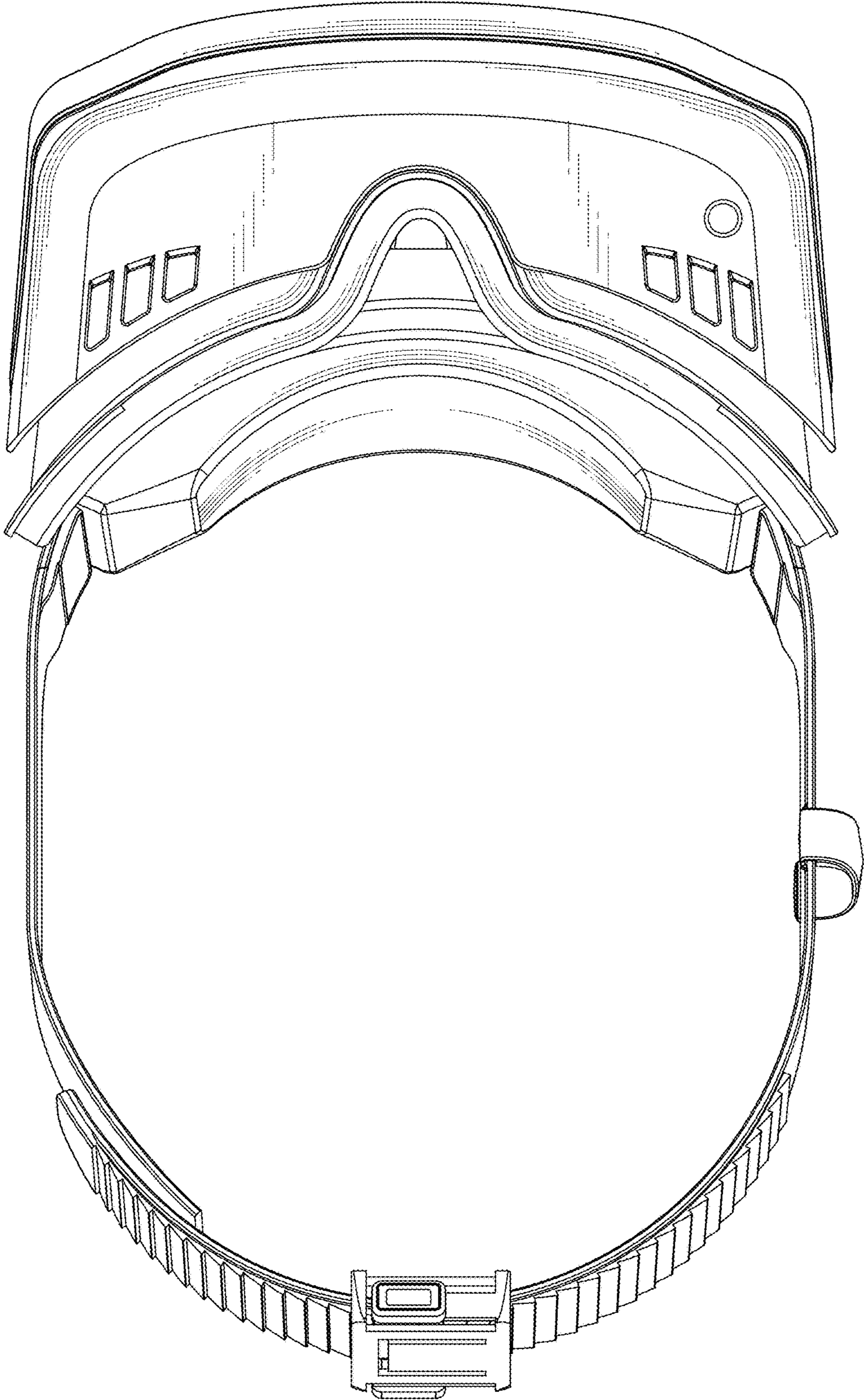


FIG. 7