



US00D807355S

(12) **United States Design Patent**
Tabata et al.

(10) **Patent No.:** **US D807,355 S**

(45) **Date of Patent:** **** Jan. 9, 2018**

(54) **HEAD MOUNTED DISPLAY**

(71) Applicant: **Panasonic Intellectual Property Management Co., Ltd., Osaka (JP)**

(72) Inventors: **Taichi Tabata, Kanagawa (JP); Eiji Nishimura, Kanagawa (JP); Yasutoki Manda, Kanagawa (JP); Katsuhiko Kitade, Tokyo (JP); Kazuhiro Konishi, Tokyo (JP)**

(73) Assignee: **Panasonic Intellectual Property Management Co., Ltd., Osaka (JP)**

(**) Term: **15 Years**

(21) Appl. No.: **29/588,890**

(22) Filed: **Dec. 23, 2016**

(30) **Foreign Application Priority Data**

Jul. 6, 2016 (JP) 2016-014339
Dec. 16, 2016 (JP) 2016-027252

(51) **LOC (11) Cl.** **14-02**

(52) **U.S. Cl.**
USPC **D14/372**

(58) **Field of Classification Search**
USPC D14/372, 496, 432, 371, 125, 126, 129, D14/299; D16/300-342; 351/158, 153, 351/144; 345/7-9, 905; 455/344; 348/115, 53, 121, 739
CPC G02B 27/017; G02B 27/0158; G02B 27/0161; G02B 27/0181; G02B 27/0185; G02B 27/0189
See application file for complete search history.

(56) **References Cited**

U.S. PATENT DOCUMENTS

D439,265 S * 3/2001 Hayashi D14/372
D716,808 S * 11/2014 Yeom D14/372

D733,137 S * 6/2015 Kawai D14/372
D735,716 S * 8/2015 Lee D14/372
D738,373 S * 9/2015 Davies D14/372
D738,420 S * 9/2015 Lee D14/372
D740,284 S * 10/2015 Maeda D14/372
D745,007 S * 12/2015 Cazalet D14/372
D746,818 S * 1/2016 Cho, II D14/372
D761,796 S * 7/2016 Heinrich D14/372
D763,258 S * 8/2016 Cazalet D14/372
D765,076 S * 8/2016 Rochat D14/372
D766,895 S * 9/2016 Choi D14/372
D768,628 S * 10/2016 Choi D14/372
D778,907 S * 2/2017 Maeda D14/372
D778,908 S * 2/2017 Mase D14/372

* cited by examiner

Primary Examiner — Austin Murphy

(74) *Attorney, Agent, or Firm* — Panasonic IP Management; Kerry S. Culpepper

(57) **CLAIM**

We claim the ornamental design for a head mounted display, as shown and described.

DESCRIPTION

FIG. 1 is a front perspective view of a head mounted display of the present invention;
FIG. 2 is a rear perspective view thereof;
FIG. 3 is a front view thereof;
FIG. 4 is a rear view thereof;
FIG. 5 is a first side view thereof;
FIG. 6 is a second side view thereof;
FIG. 7 is a top view thereof; and,
FIG. 8 is a bottom view thereof.

The evenly spaced broken lines represent portions of the head mounted display that form no part of the claimed design. Additionally, the unevenly spaced broken lines in the drawings define the limits of the claimed design.

1 Claim, 8 Drawing Sheets

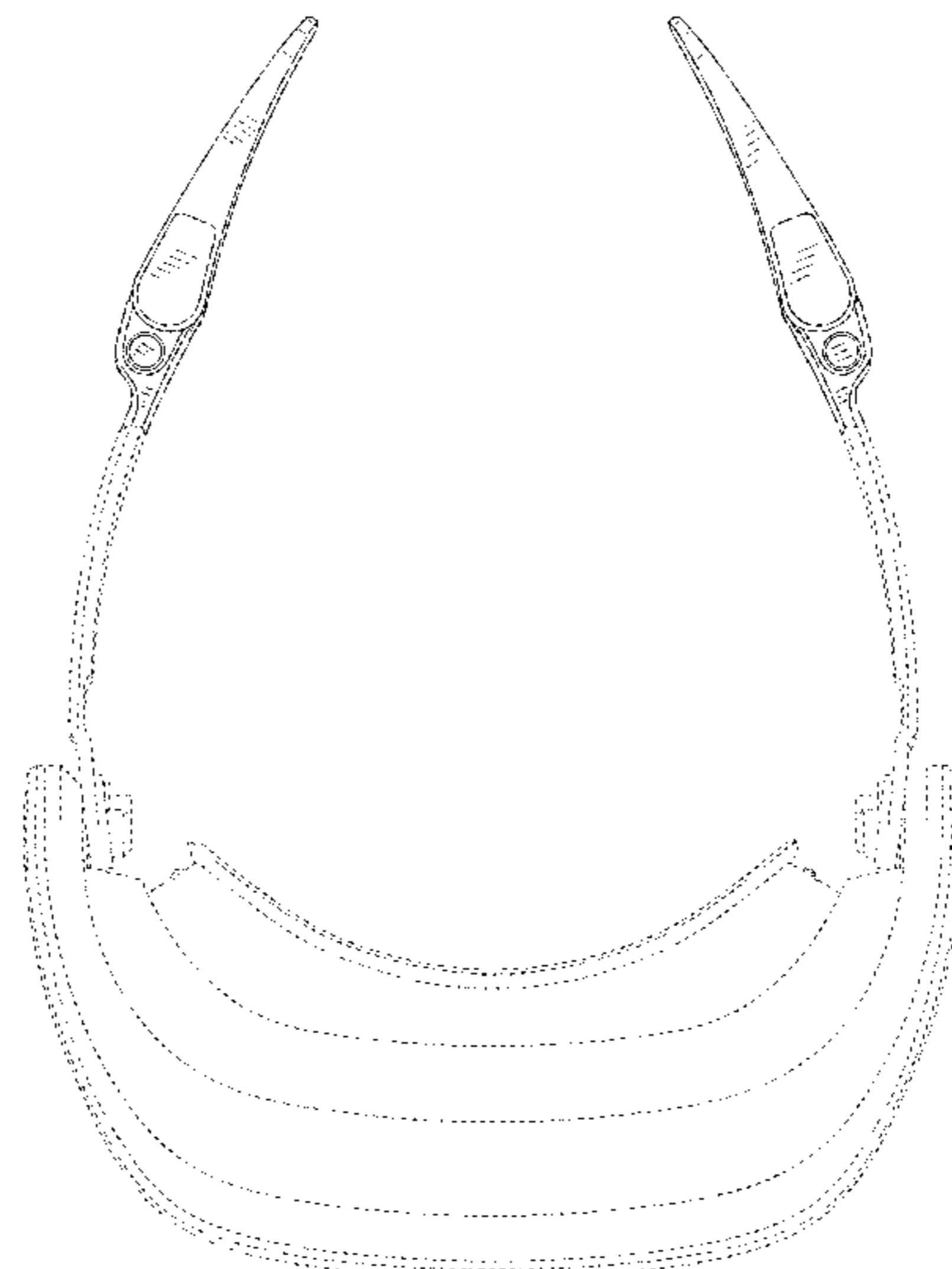
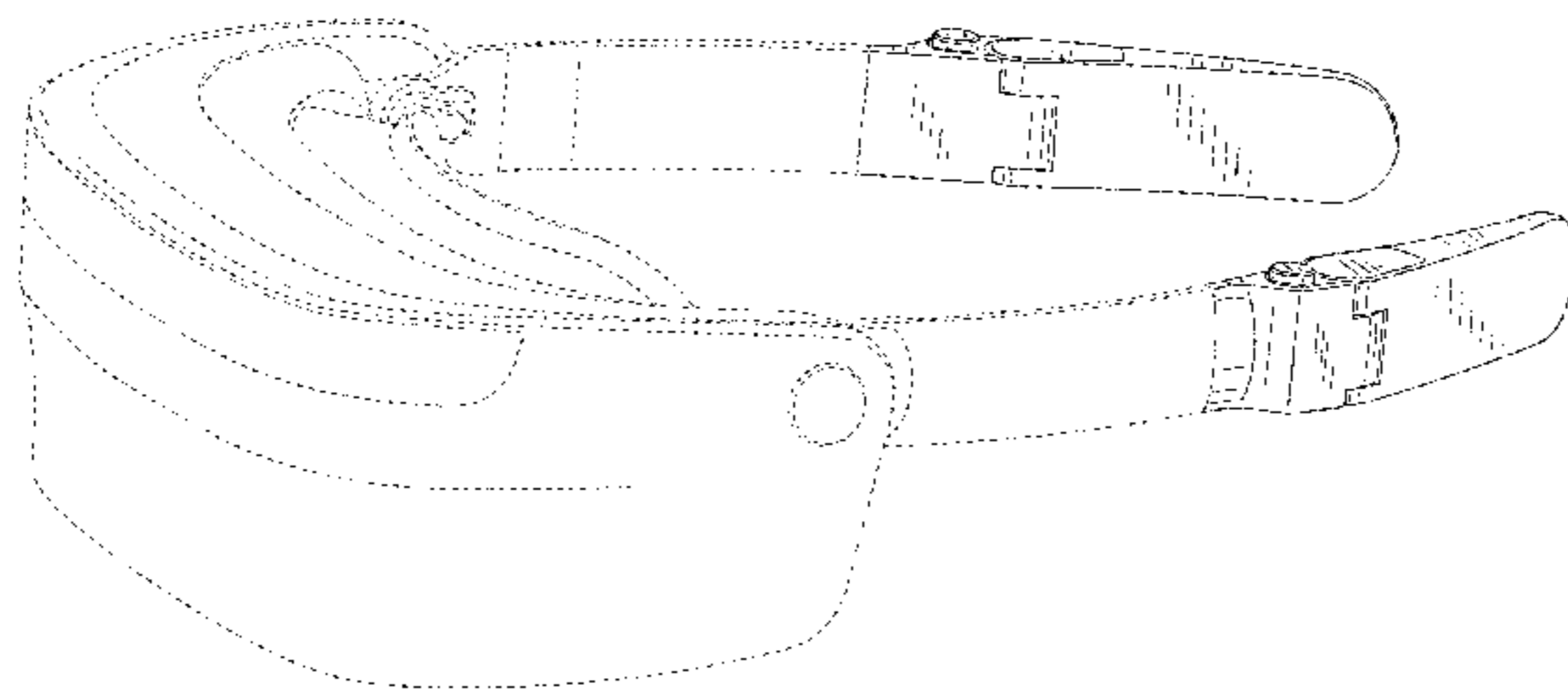


FIG. 1

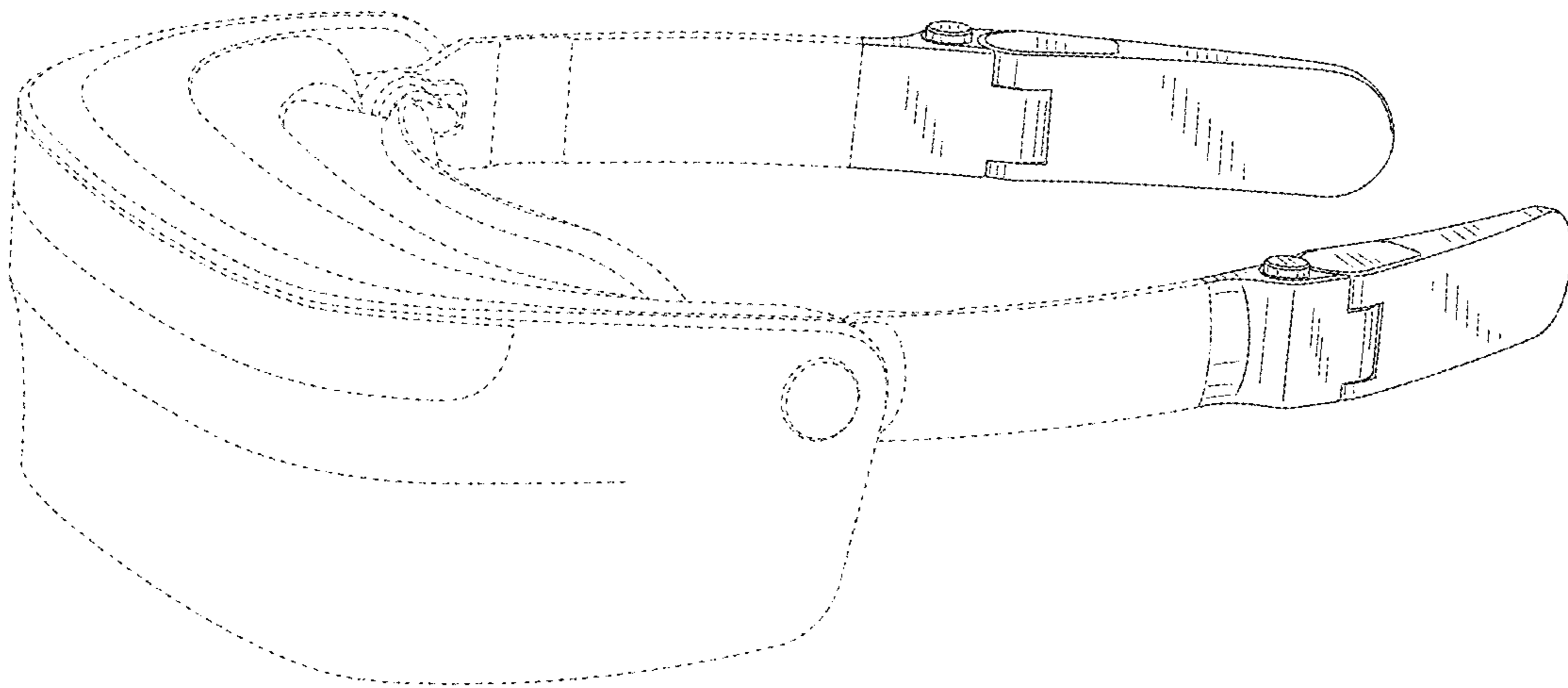


FIG. 2

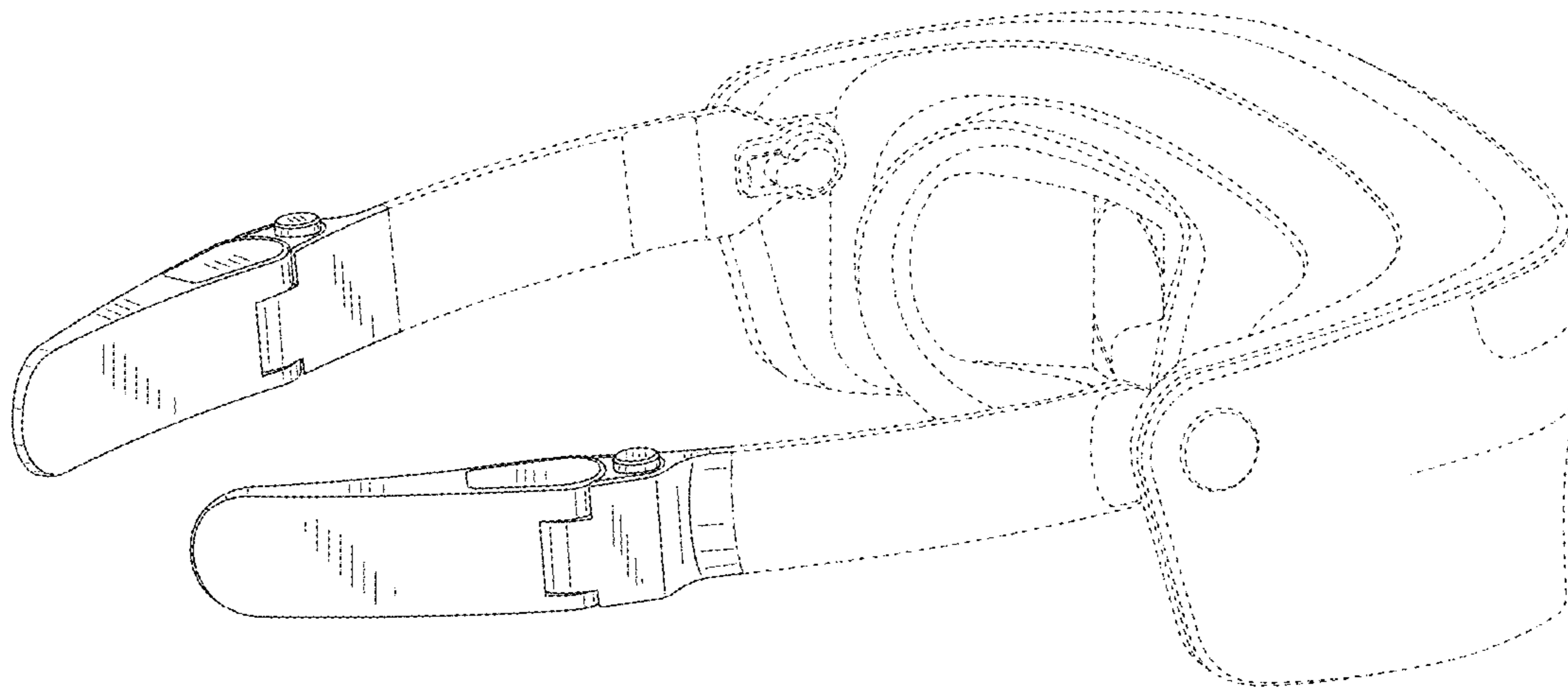


FIG. 3

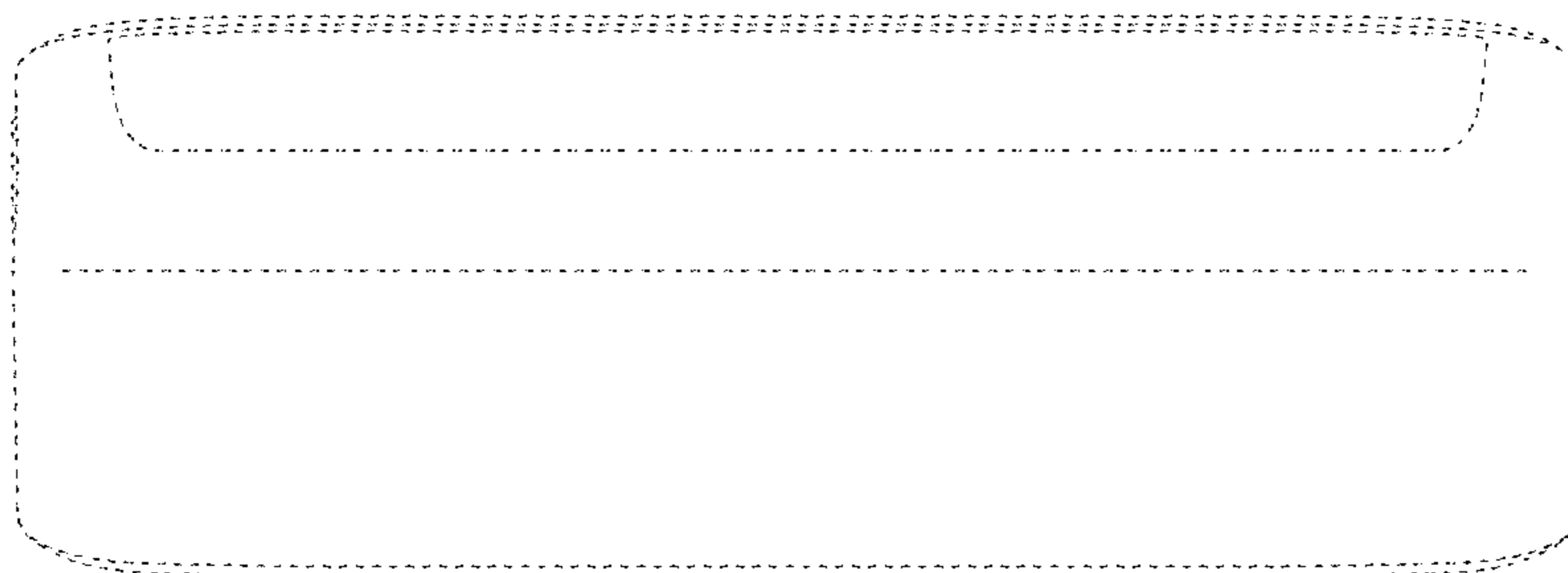


FIG. 4

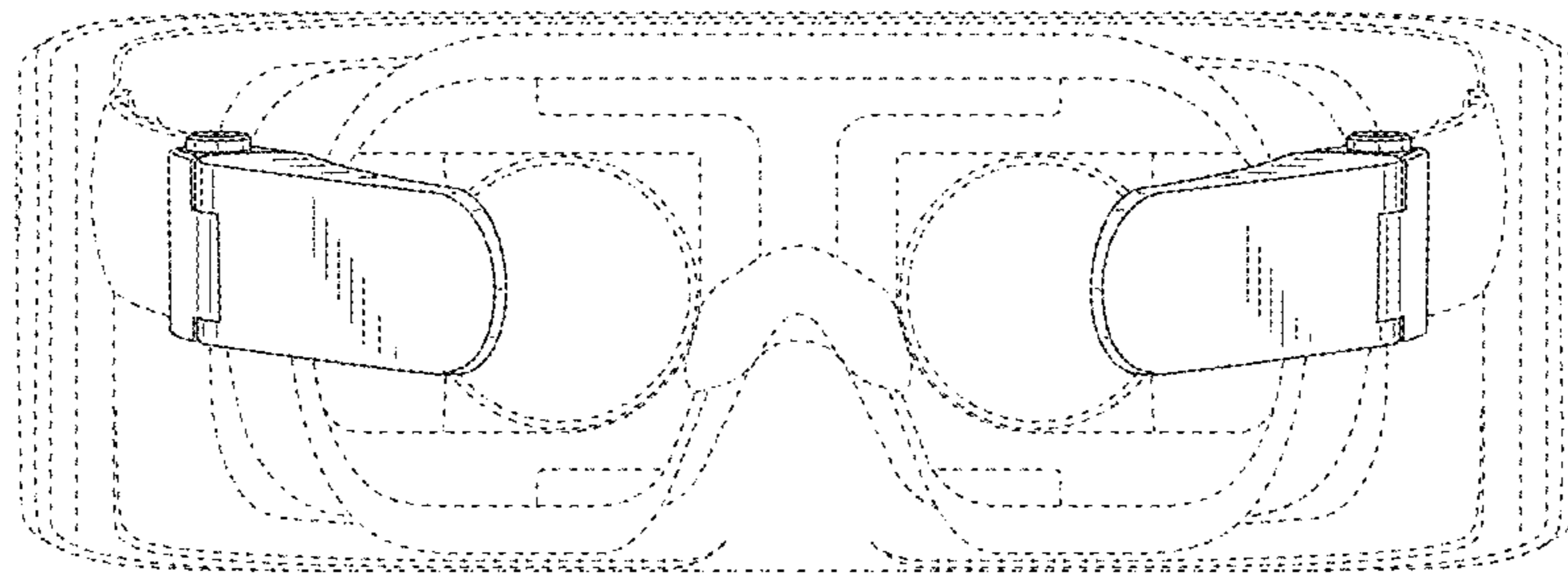


FIG. 5

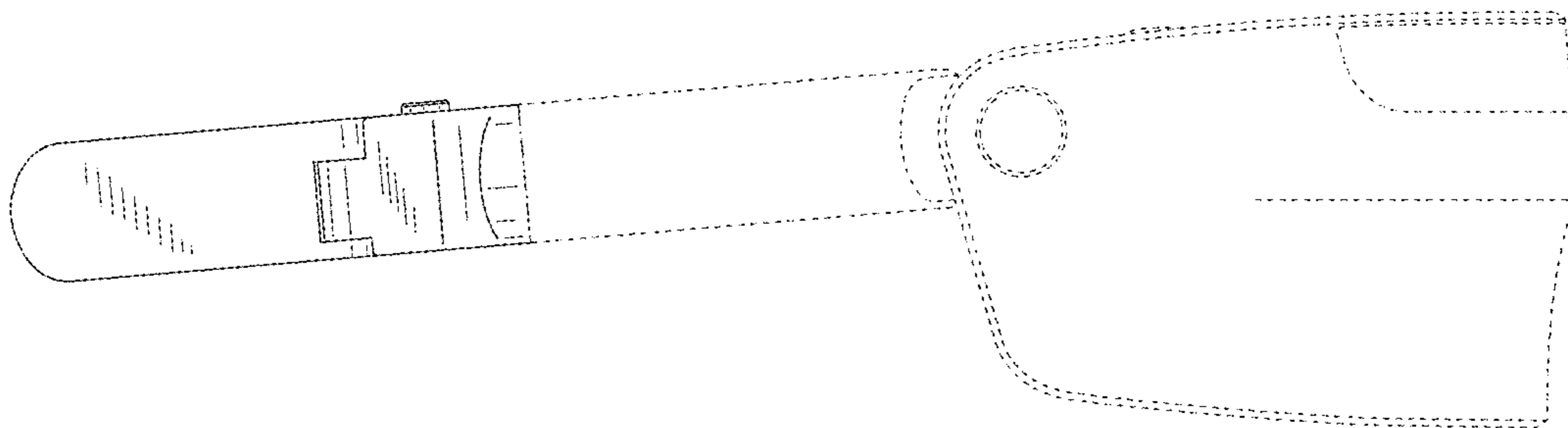


FIG. 6

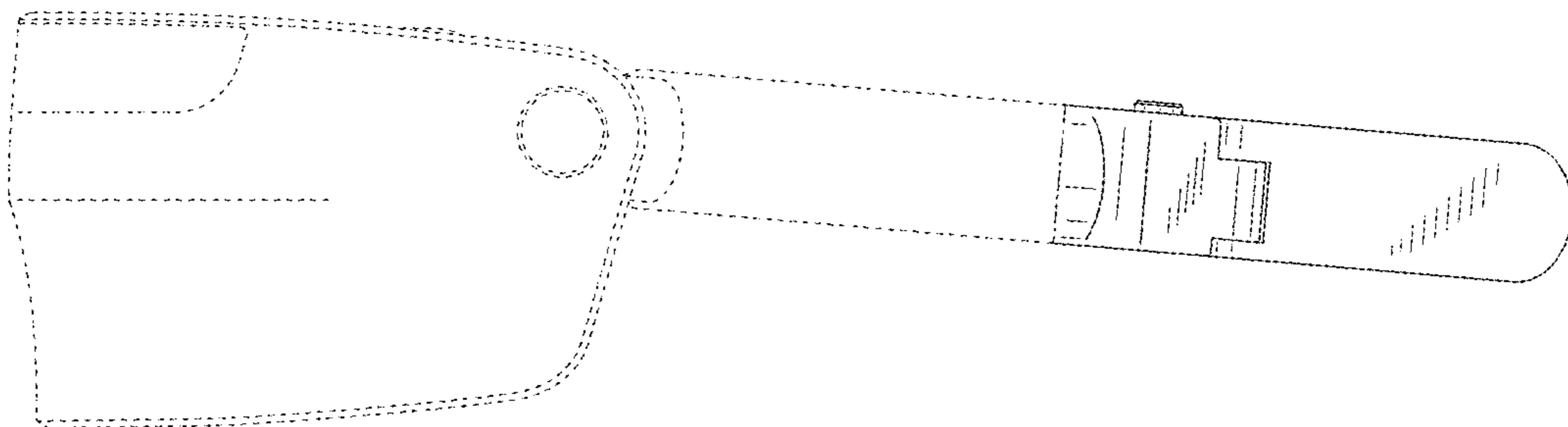


FIG. 7

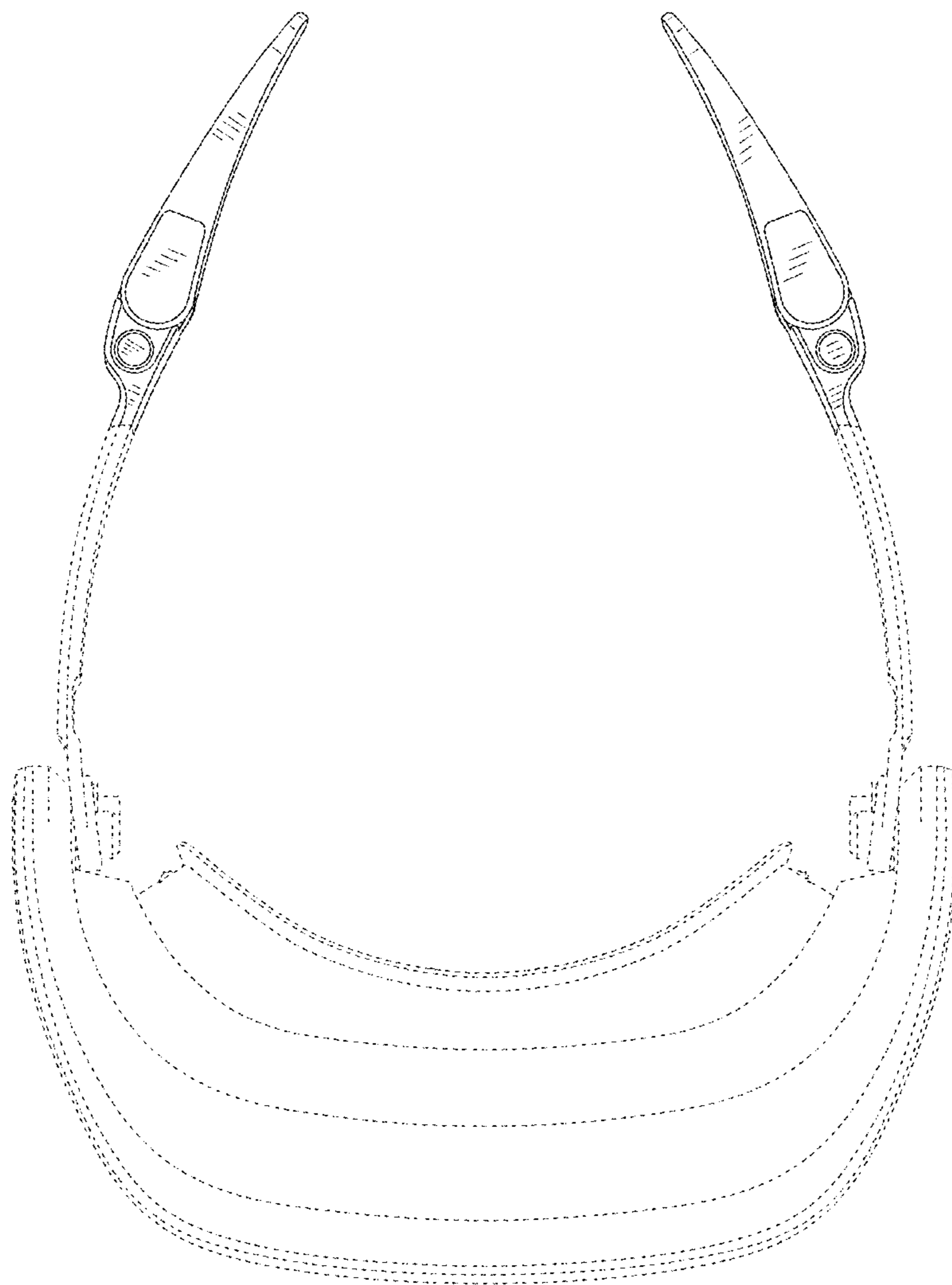


FIG. 8

