



US00D807352S

(12) **United States Design Patent**
Bang et al.

(10) **Patent No.:** **US D807,352 S**
(45) **Date of Patent:** **** Jan. 9, 2018**

(54) **ELECTRONIC DEVICE**

- (71) Applicant: **Samsung Electronics Co., Ltd.**,
Suwon-si (KR)
- (72) Inventors: **Yongseok Bang**, Yongin-si (KR); **Miri Lee**,
Namyangju-si (KR); **In Sik Chung**, Seoul (KR); **Jaehyung Hong**,
Seoul (KR)
- (73) Assignee: **SAMSUNG ELECTRONICS CO., LTD.**,
Suwon-si (KR)
- (**) Term: **15 Years**
- (21) Appl. No.: **29/542,451**
- (22) Filed: **Oct. 14, 2015**
- (30) **Foreign Application Priority Data**

Aug. 13, 2015 (KR) 30-2015-0041028

- (51) **LOC (11) Cl.** **14-02**
- (52) **U.S. Cl.**
USPC **D14/344**
- (58) **Field of Classification Search**
USPC D14/344, 138 R, 144, 358; D24/167,
D24/169, 186-187; D11/3, 93-94;
D10/30-39, 70, 98; 379/433.1;
361/679.03
CPC G06F 1/163; G06F 1/1628; G06F 1/1626;
G06F 1/1635; G06F 1/08; G06F 1/10;
G06F 1/04; G06F 1/14; G06F 1/3203;
A41D 1/002; H04M 1/02; H04M 1/03;
H04M 1/04; H04M 1/05; H04M 1/667;
H04M 1/6058; Y02B 60/12; H04B 1/385;
H04B

(Continued)

(56) **References Cited**

U.S. PATENT DOCUMENTS

- D336,440 S * 6/1993 Favre D10/30
- D416,498 S * 11/1999 Blondin D10/39
- D490,722 S * 6/2004 Weismann D10/30

(Continued)

FOREIGN PATENT DOCUMENTS

TW D158667 S 2/2014

OTHER PUBLICATIONS

Google's smartwatches get one critical thing wrong, posted Oct. 1, 2015, [retrieved Jun. 24, 2017]. Retrieved from Internet, <URL: <http://www.businessinsider.com/android-wear-notifications-are-bad-on-smartwatches-2015-9> >.*

(Continued)

Primary Examiner — Karen Kearney
Assistant Examiner — Kristin E Reed
(74) *Attorney, Agent, or Firm* — McAndrews Held & Malloy, Ltd.

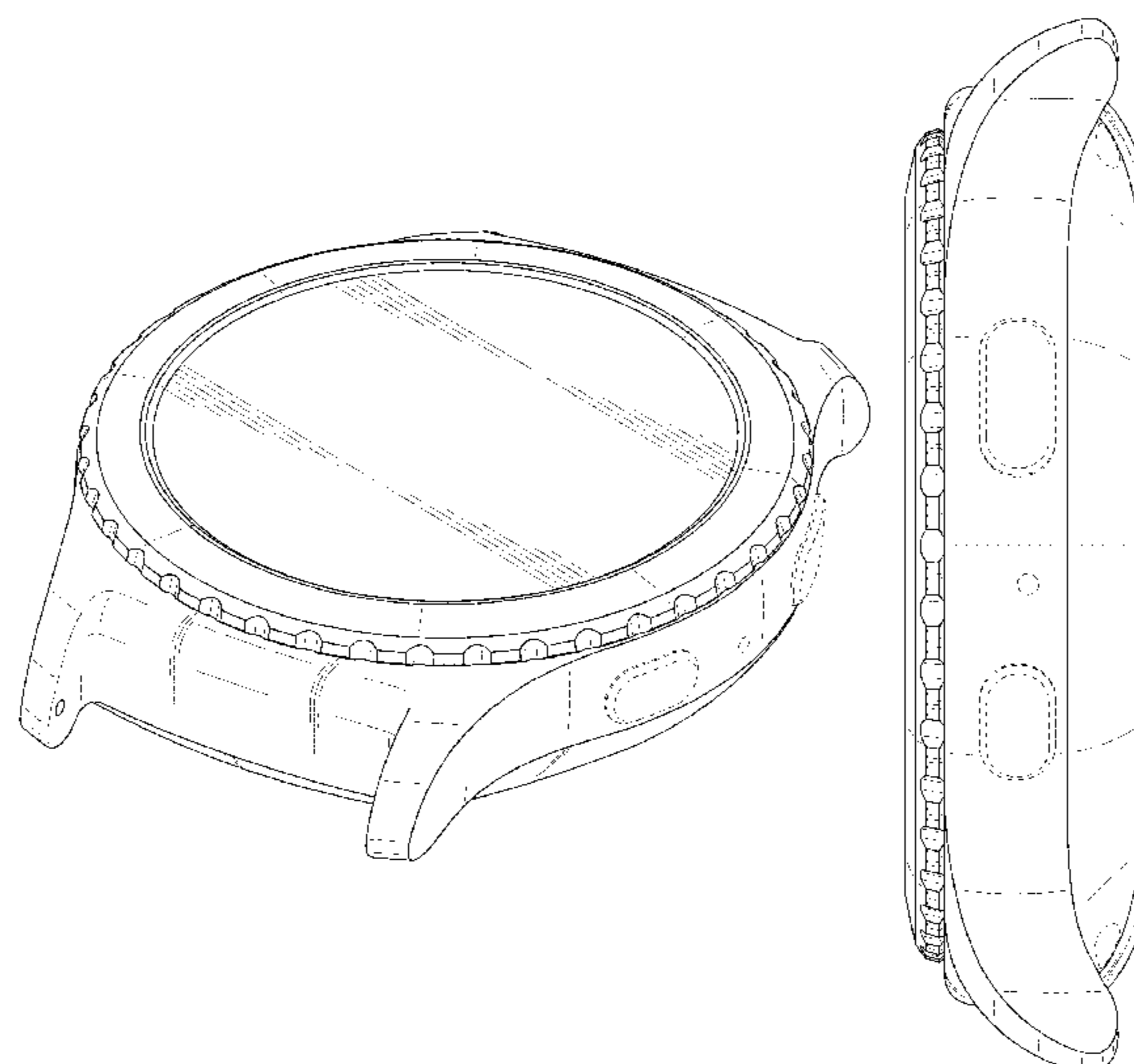
(57) **CLAIM**

The ornamental design for an electronic device, as shown and described.

DESCRIPTION

FIG. 1 is a front perspective view of an electronic device showing our new design;
FIG. 2 is a front elevation view thereof;
FIG. 3 is a rear elevation view thereof;
FIG. 4 is a left side elevation view thereof;
FIG. 5 is a right side elevation view thereof;
FIG. 6 is a top plan view thereof;
FIG. 7 is a bottom plan view thereof;
FIG. 8 is a rear perspective view thereof; and,
FIG. 9 is a front perspective view thereof, in which a wristband in dashed broken lines is provided to depict an example environment.
The dashed broken lines, showing portions of the electronic device in the figures and the wristband in FIG. 9, form no part of the claimed design.

1 Claim, 9 Drawing Sheets



(58) **Field of Classification Search**

CPC 1/3888; H04B 1/3833; G06Q 20/10; G06Q
20/108; G06Q 20/12; G06Q 20/145
See application file for complete search history.

(56) **References Cited**

U.S. PATENT DOCUMENTS

D541,675 S * 5/2007 Ruchonnet D10/38
D579,350 S * 10/2008 Calvani D10/39
D730,201 S * 5/2015 Giannini D10/39
D760,096 S * 6/2016 Lutgen D10/126

OTHER PUBLICATIONS

Alcatel OneTouch's new device family has a pretty tempting smartwatch, posted Sep. 4, 2014, [retrieved Jun. 24, 2017]. Retrieved from Internet, <URL: <https://www.engadget.com/2014/09/04/alcatel-hero-2-hero-8-smartwatch/> >.*

Thread: What can you tell me about Rip Curl watches?, posted Sep. 30, 2012, [retrieved Jun. 24, 2017]. Retrieved from Internet, <URL: <http://forums.watchuseek.com/f71/what-can-you-tell-me-about-rip-curl-watches-755833.html> >.*

* cited by examiner

FIG. 1

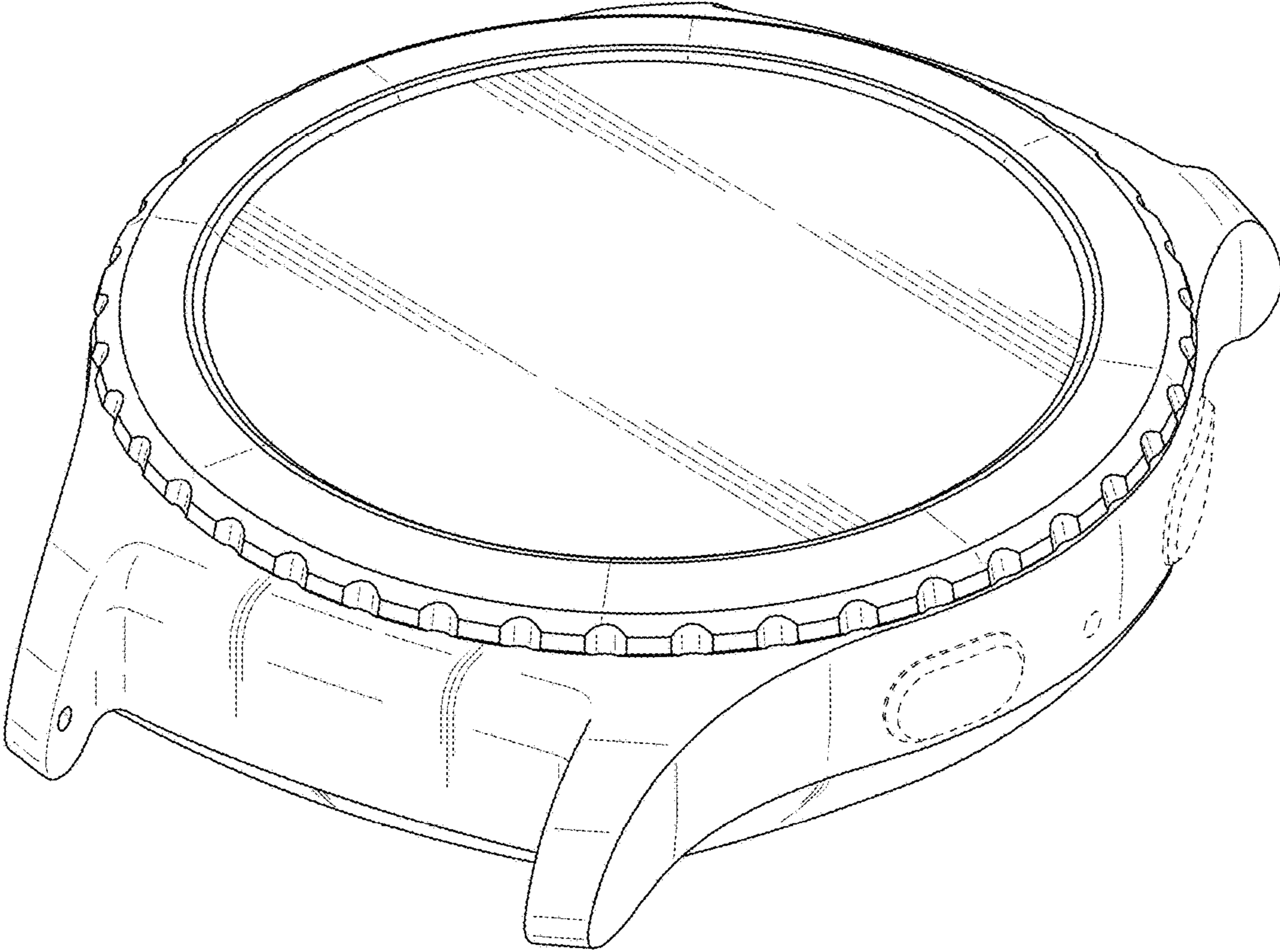


FIG. 2

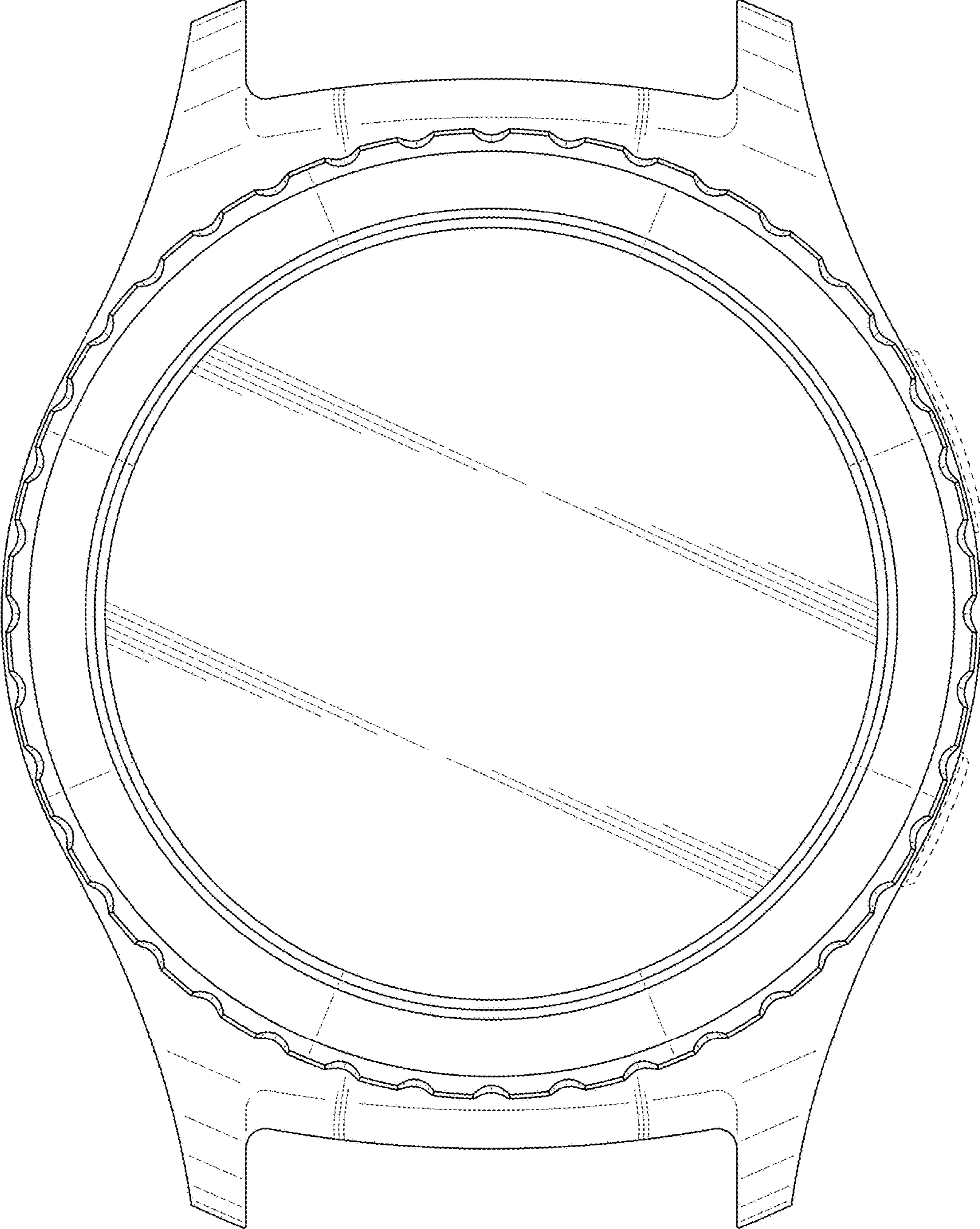


FIG. 3

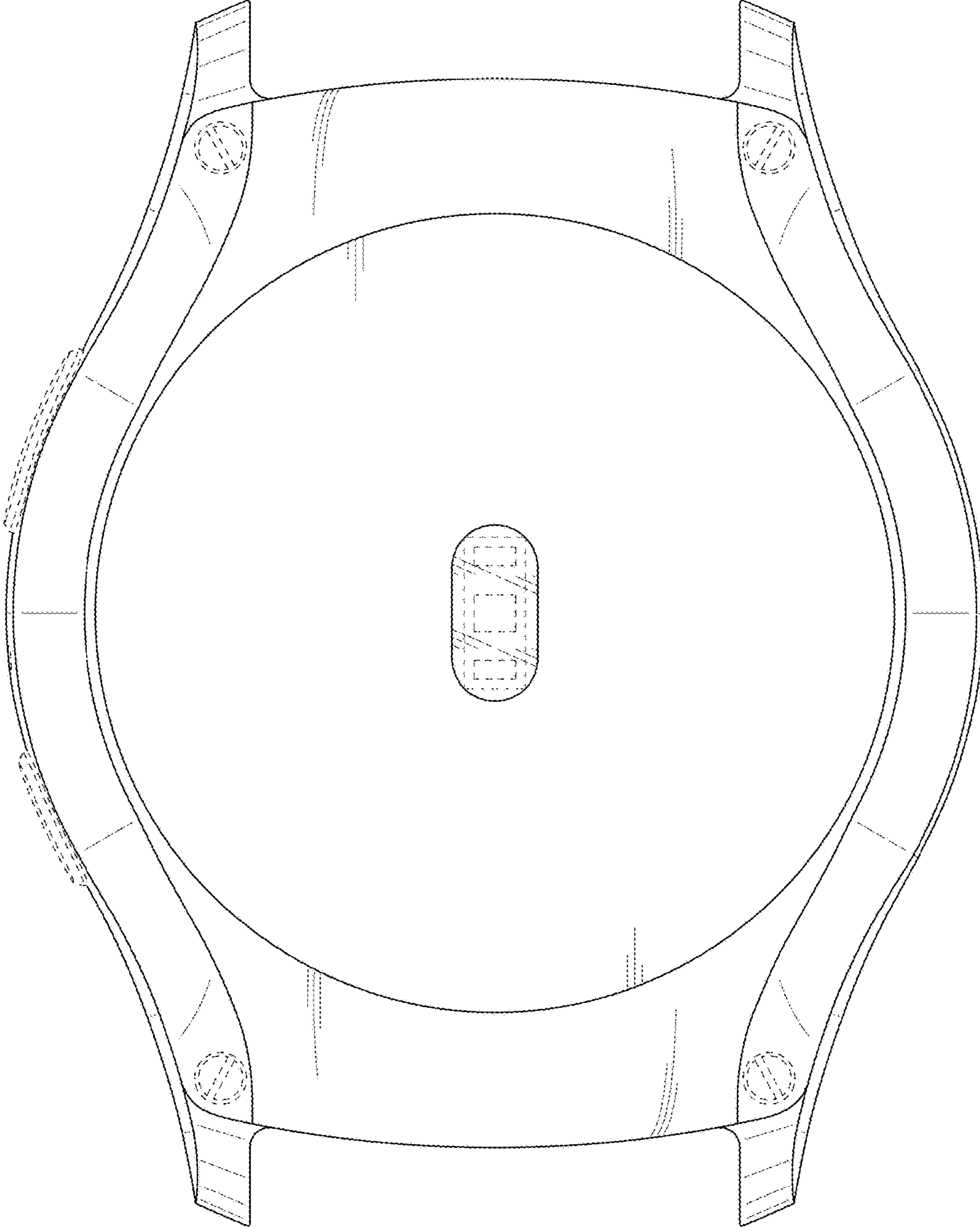


FIG. 4

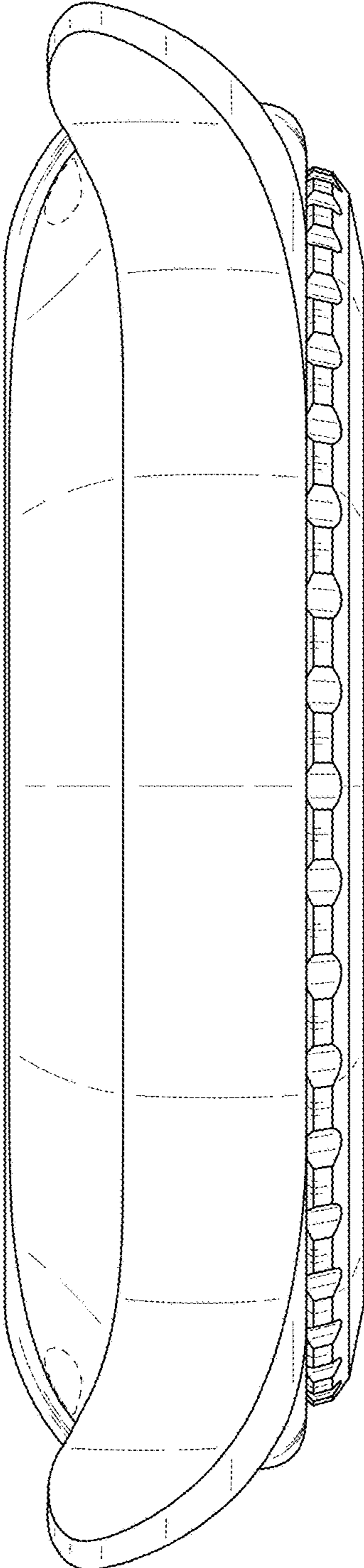


FIG. 5

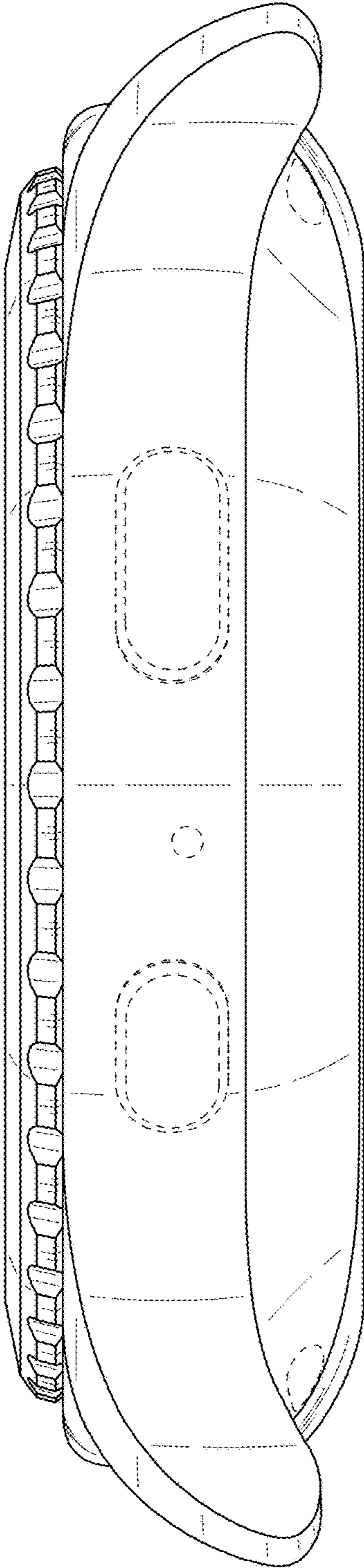


FIG. 6

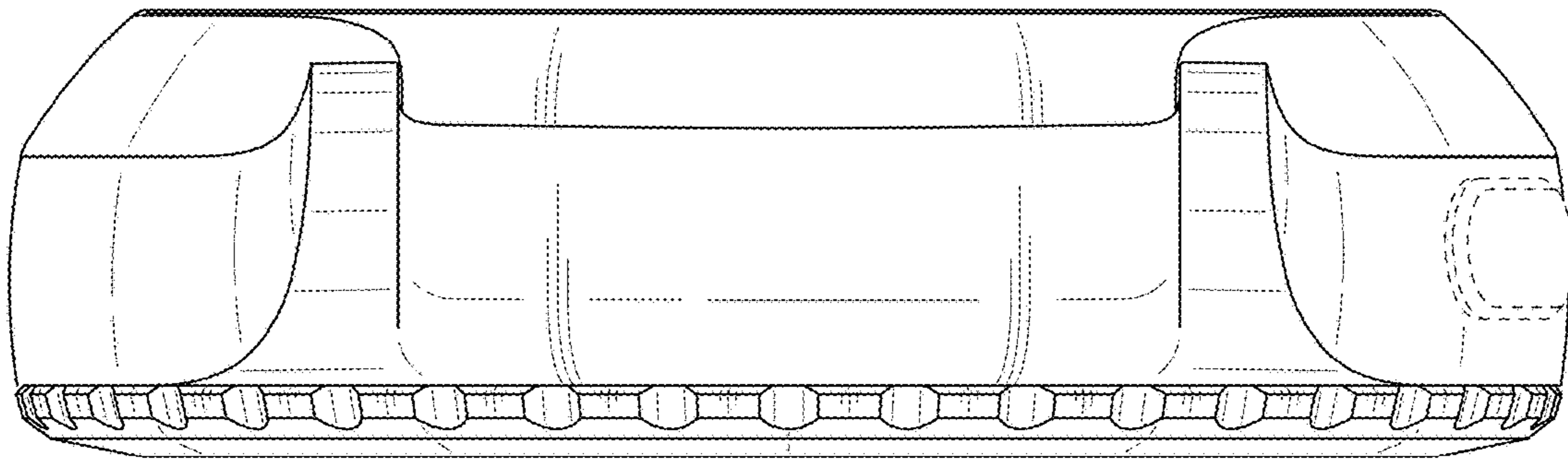


FIG. 7

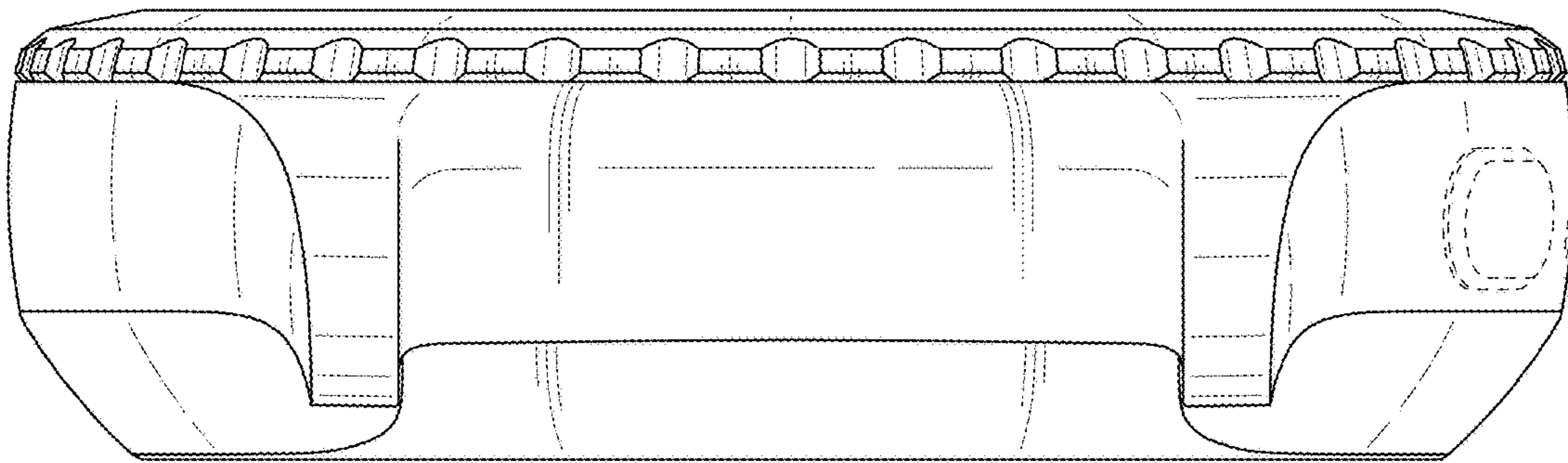


FIG. 8

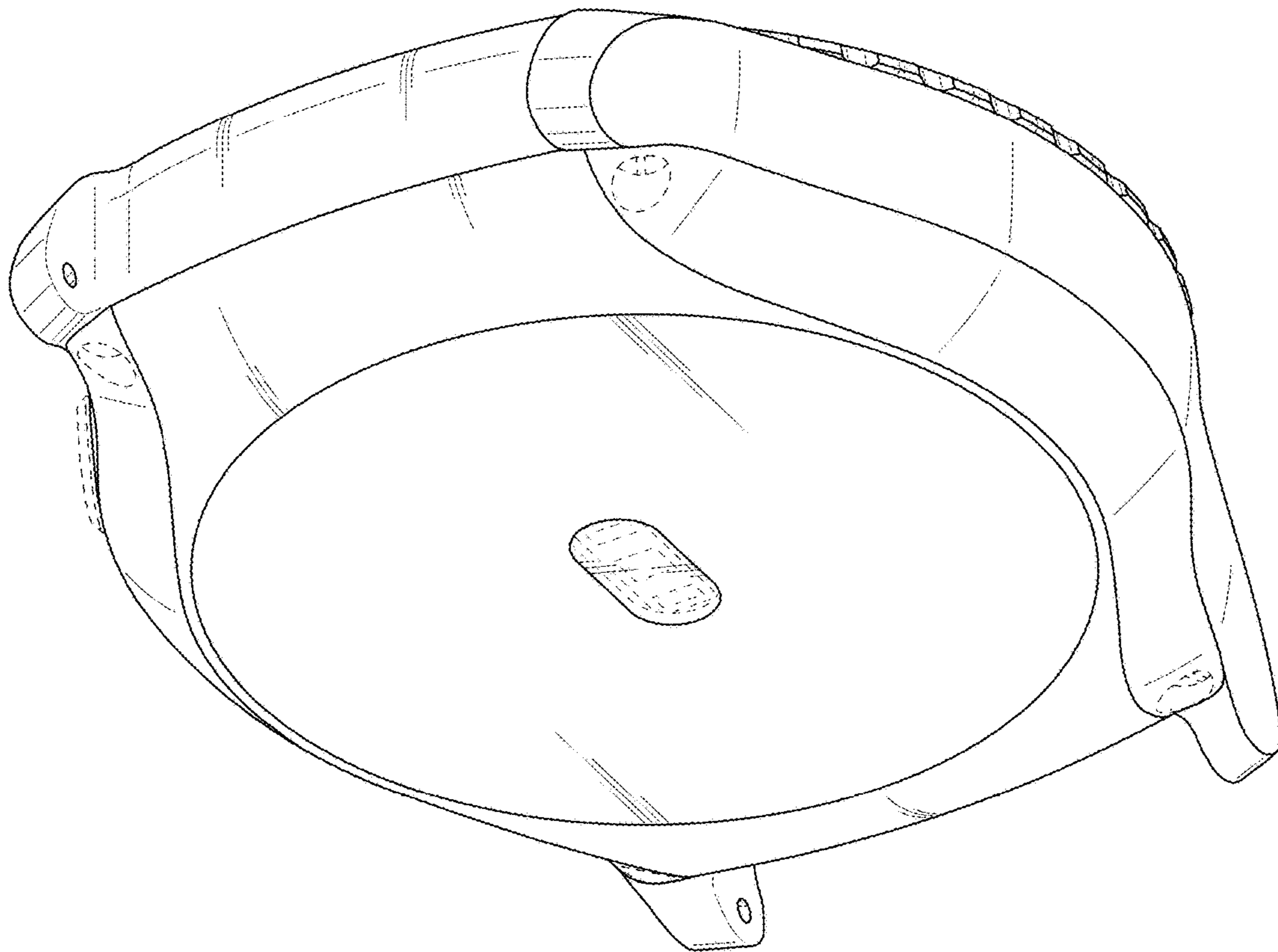


FIG. 9

