



US00D807351S

(12) **United States Design Patent** (10) **Patent No.:** **US D807,351 S**
Bang et al. (45) **Date of Patent:** **** Jan. 9, 2018**

(54) **ELECTRONIC DEVICE**

FOREIGN PATENT DOCUMENTS

(71) Applicant: **Samsung Electronics Co., Ltd.**,
Suwon-si (KR)

TW D119047 9/2007

(72) Inventors: **Yongseok Bang**, Yongin-si (KR); **Miri Lee**, Namyangju-si (KR); **In Sik Chung**, Seoul (KR); **Jaehyung Hong**, Seoul (KR)

OTHER PUBLICATIONS

King-Wear KW18 Smart Watch Phone CPU MTK2502C Metal Plating OGS Capacitive Screen with Anodic Oxidation Treatment Wrist Watch, posted Jun. 14, 2016, [retrieved Jun. 24, 2017]. Retrieved from Internet, <URL: <https://www.amazon.com/KING-WEAR-MTK2502C-Capacitive-Oxidation-Treatment/dp/B01FOECMMU>>.*

(73) Assignee: **SAMSUNG ELECTRONICS CO., LTD.**, Suwon-si (KR)

(Continued)

(**) Term: **15 Years**

Primary Examiner — Karen Kearney

(21) Appl. No.: **29/542,434**

Assistant Examiner — Kristin E Reed

(22) Filed: **Oct. 14, 2015**

(74) *Attorney, Agent, or Firm* — McAndrews Held & Malloy, Ltd.

(30) **Foreign Application Priority Data**

(57) **CLAIM**

Aug. 13, 2015 (KR) 30-2015-0041024

The ornamental design for an electronic device, as shown and described.

(51) **LOC (11) Cl.** **14-02**

DESCRIPTION

(52) **U.S. Cl.**
USPC **D14/344**

(58) **Field of Classification Search**
USPC D14/344, 138 R, 144, 358; D24/167, D24/169, 186-187; D11/3, 93-94; D10/30-39, 70, 98; 379/433.1; 361/679.03
CPC G06F 1/163; G06F 1/1628; G06F 1/1626; G06F 1/1635; G06F 1/08; G06F 1/10; G06F 1/04; G06F 1/14; G06F 1/3203; A41D

FIG. 1 is a front perspective view of an electronic device showing our new design;

FIG. 2 is a front elevation view thereof;

FIG. 3 is a rear elevation view thereof;

FIG. 4 is a left side elevation view thereof;

FIG. 5 is a right side elevation view thereof;

FIG. 6 is a top plan view thereof;

FIG. 7 is a bottom plan view thereof;

FIG. 8 is a rear perspective view thereof; and,

FIG. 9 is a front perspective thereof, in which a wristband in dot-dot-dash broken lines is provided to depict an example environment.

The dashed broken lines in the figures depict portions of the electronic device that form no part of the claimed design.

The dot-dot-dash broken lines in FIG. 9 showing the wristband depict environmental structure and form no part of the claimed design.

(Continued)

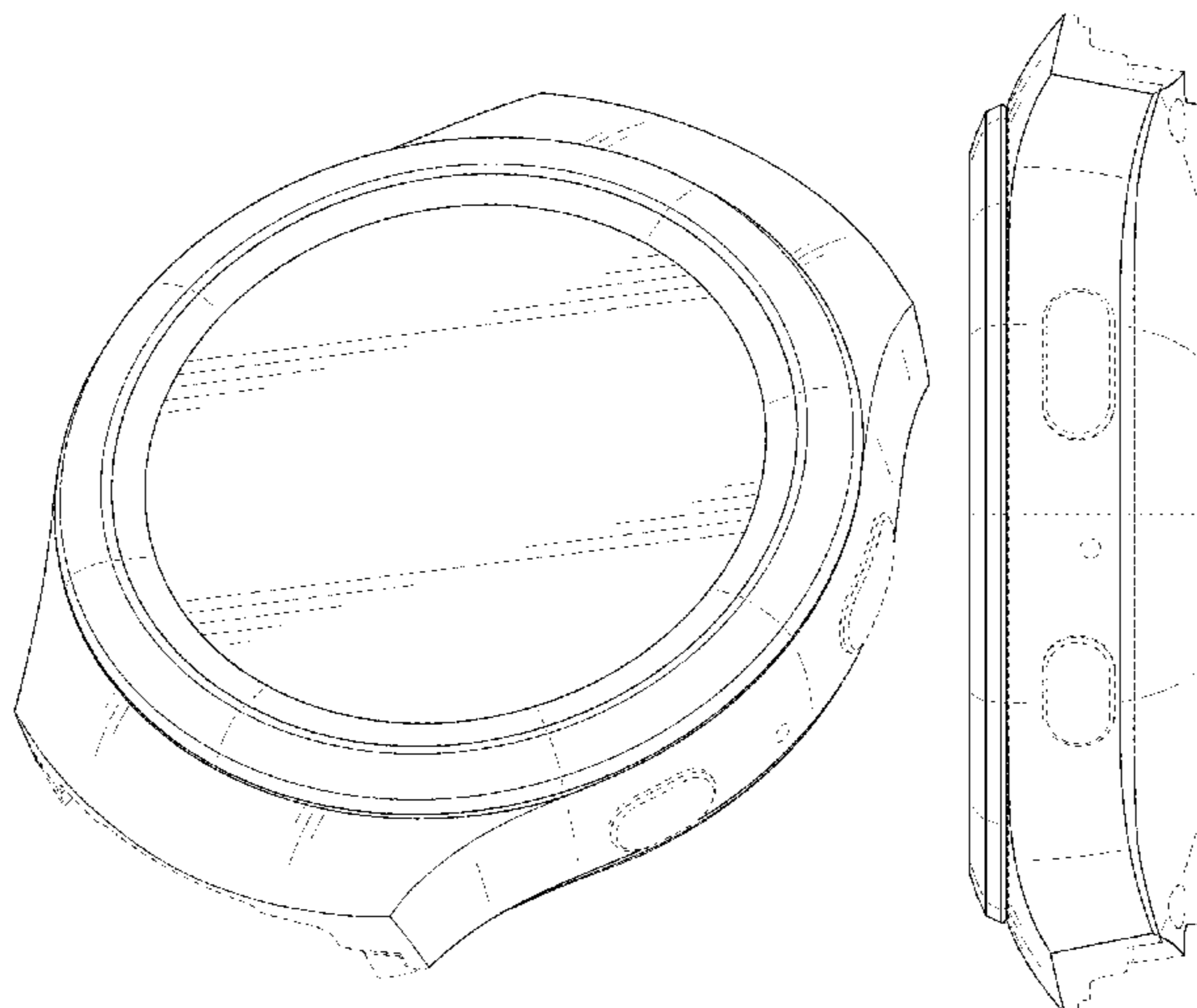
(56) **References Cited**

U.S. PATENT DOCUMENTS

D246,577 S * 12/1977 Inaba D10/30
D323,124 S * 1/1992 Osawa D10/30

(Continued)

1 Claim, 9 Drawing Sheets



(58) **Field of Classification Search**
 CPC 1/002; H04M 1/02; H04M 1/03; H04M
 1/04; H04M 1/05; H04M 1/667; H04M
 1/6058; Y02B 60/12; H04B 1/385; H04B
 1/3888; H04B 1/3833; G06Q 20/10;
 G06Q 20/108; G06Q 20/12; G06Q
 20/145

See application file for complete search history.

(56) **References Cited**

U.S. PATENT DOCUMENTS

D478,012 S * 8/2003 Tavenas D10/39
 D501,641 S * 2/2005 Sugiura D10/39
 D502,413 S * 3/2005 Sugiura D10/39
 D502,879 S * 3/2005 Bernheim D10/32
 D502,880 S * 3/2005 Bernheim D10/32
 D536,266 S * 2/2007 Tomimatsu D10/38
 D536,997 S * 2/2007 Asakawa D10/38
 D538,181 S * 3/2007 Sugiura D10/31
 D569,741 S * 5/2008 Safou D10/39
 D583,682 S * 12/2008 Blank D10/32
 D594,351 S * 6/2009 Tonohori D10/32
 D594,765 S * 6/2009 Rieseler D10/39
 D611,841 S * 3/2010 Hatem D10/32
 D658,510 S * 5/2012 Wai Kei D10/32

D661,206 S * 6/2012 Register D10/38
 D666,925 S * 9/2012 Ahlstrom D10/32
 D673,463 S * 1/2013 Duport D10/32
 D681,482 S * 5/2013 Ramos, Jr. D10/38
 D695,637 S * 12/2013 Jacquerye D10/39
 D725,073 S * 3/2015 Ji D10/38
 D739,268 S * 9/2015 Lammers-Meis D10/30
 D756,240 S * 5/2016 Register D10/30
 D756,805 S * 5/2016 Delhotal D10/30
 D762,492 S * 8/2016 Sugiura D10/126
 D767,566 S * 9/2016 Morgenroth D14/344
 D772,868 S * 11/2016 Park D10/39
 D779,342 S * 2/2017 Lintz D10/30

OTHER PUBLICATIONS

Google's smartwatches get one critical thing wrong, posted Oct. 1, 2015, [retrieved Jun. 24, 2017]. Retrieved from Internet, <URL: <http://www.businessinsider.com/android-wear-notifications-are-bad-on-smartwatches-2015-9> >.*

Alcatel OneTouch's new device family has a pretty tempting smartwatch, posted Sep. 4, 2014, [retrieved Jun. 24, 2017]. Retrieved from Internet, <URL: <https://www.engadget.com/2014/09/04/alcatel-hero-2-hero-8-smartwatch/> >.*

* cited by examiner

FIG. 1

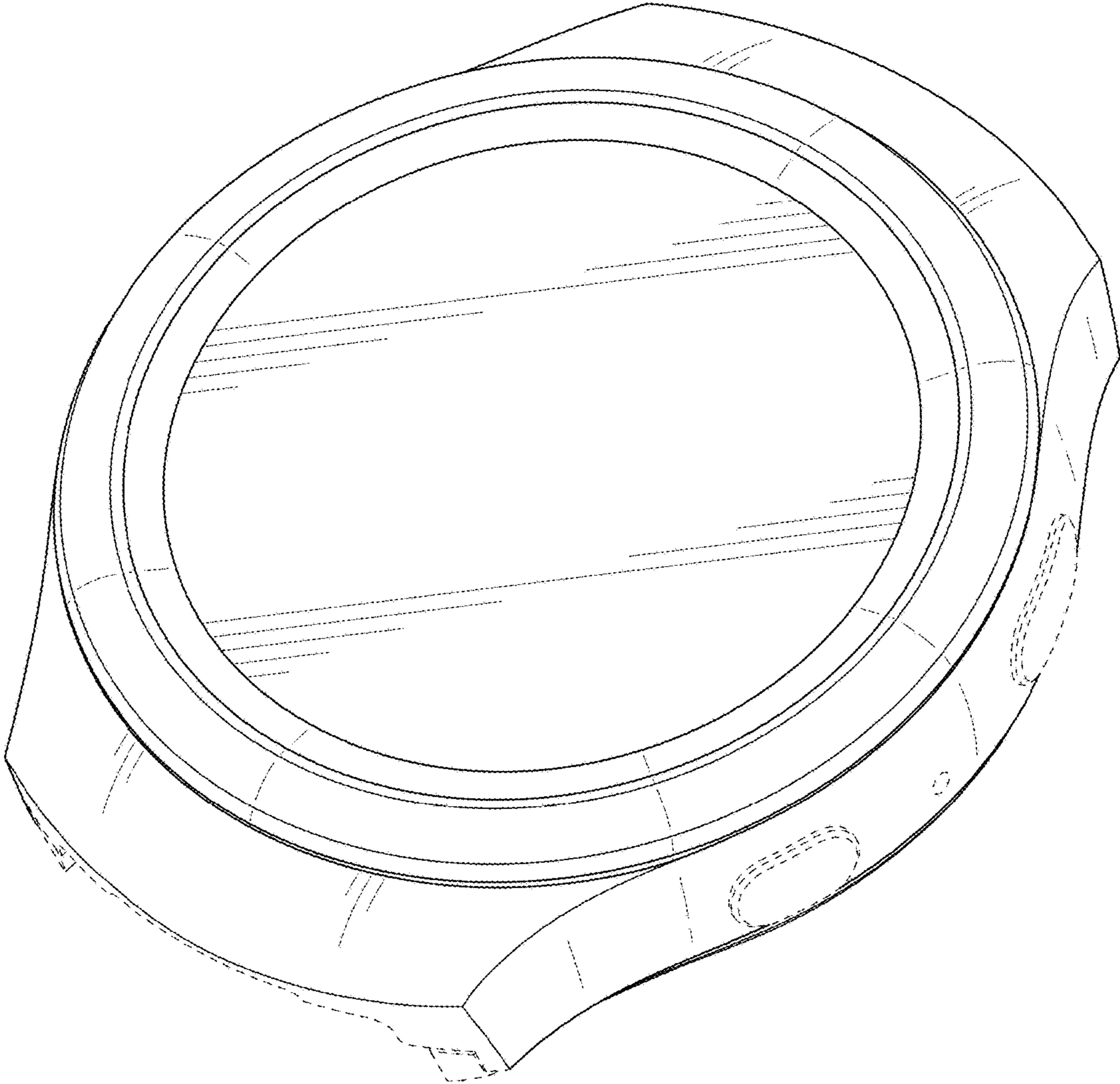


FIG. 2

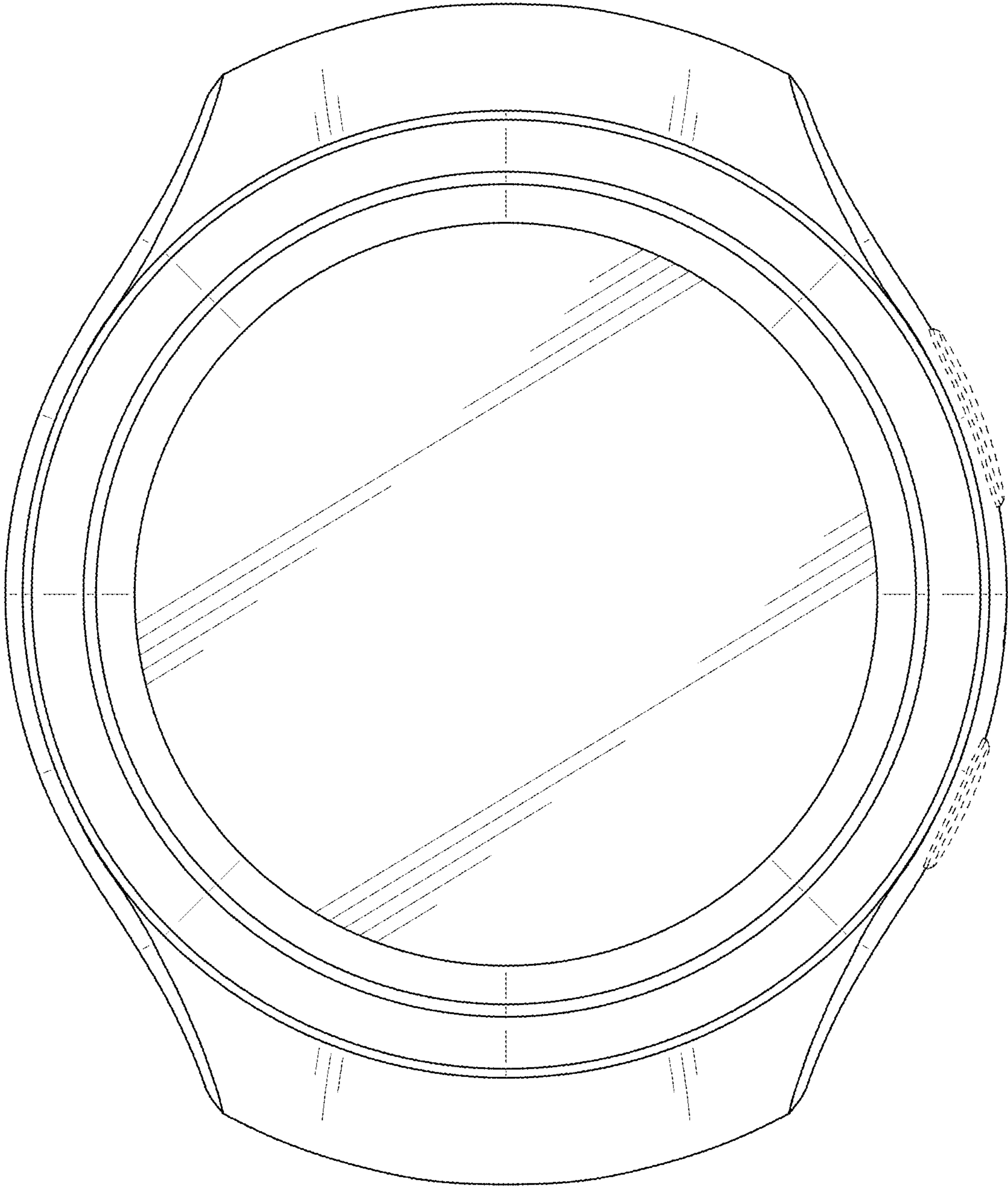


FIG. 3

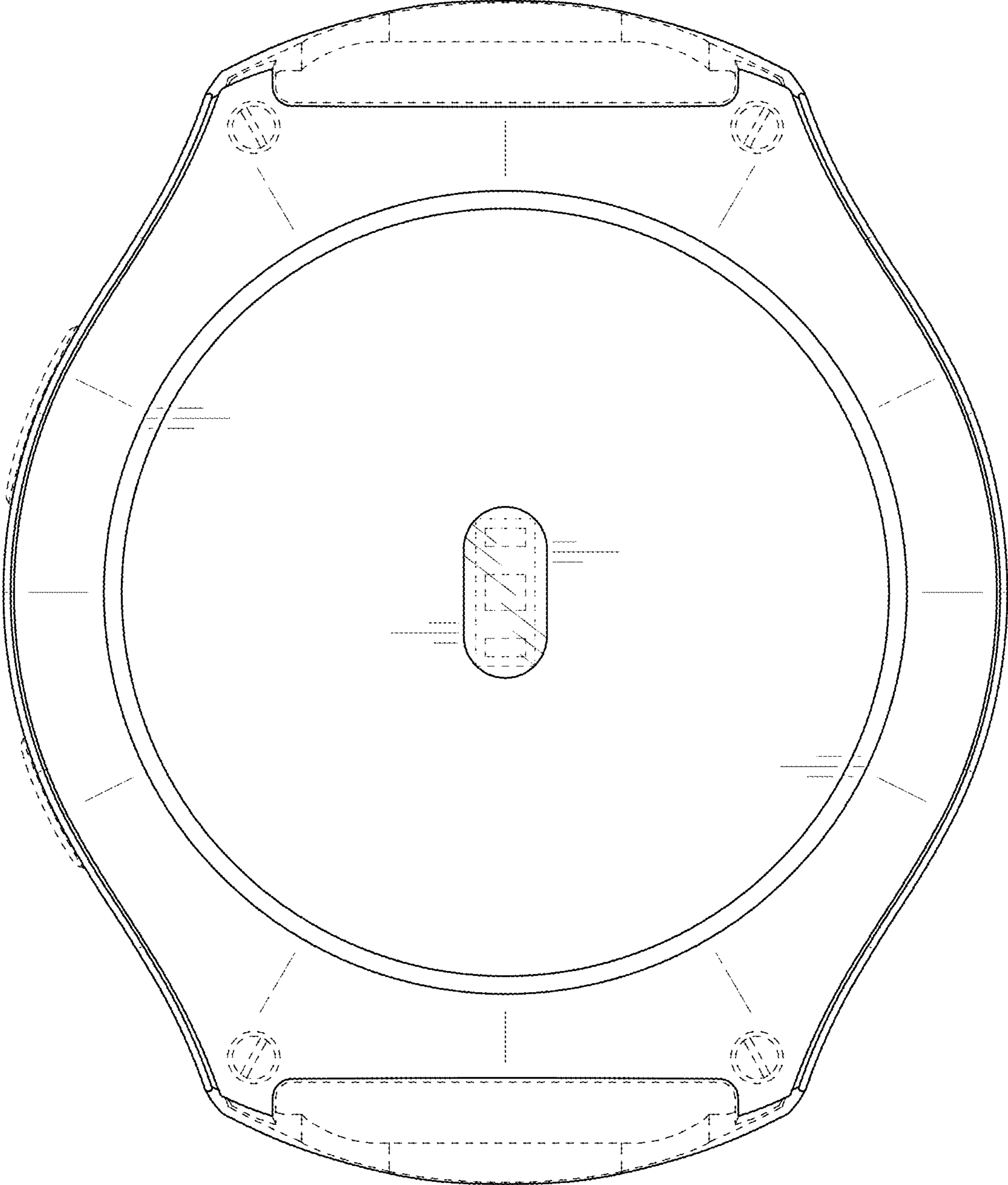


FIG. 4

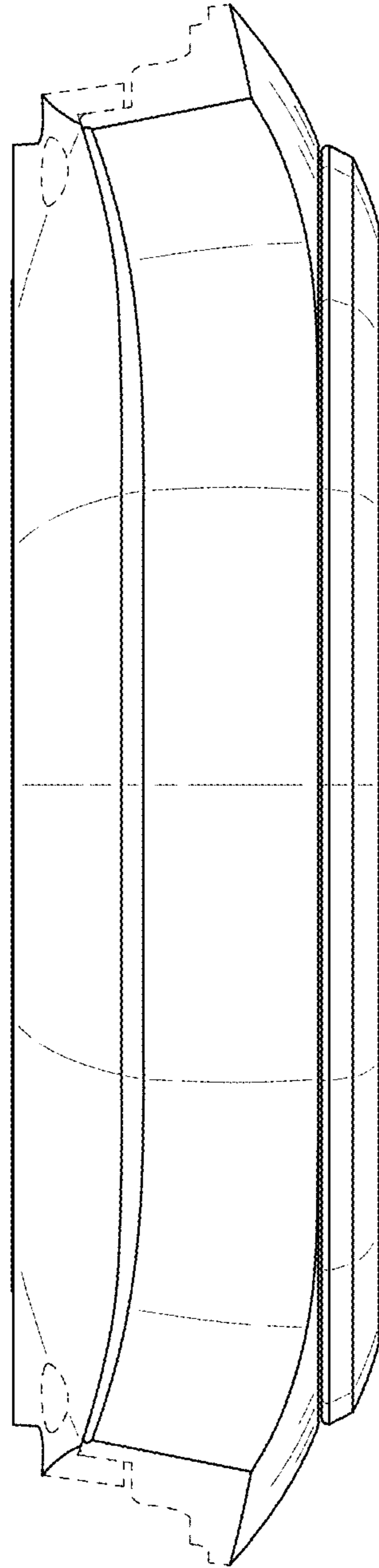


FIG. 5

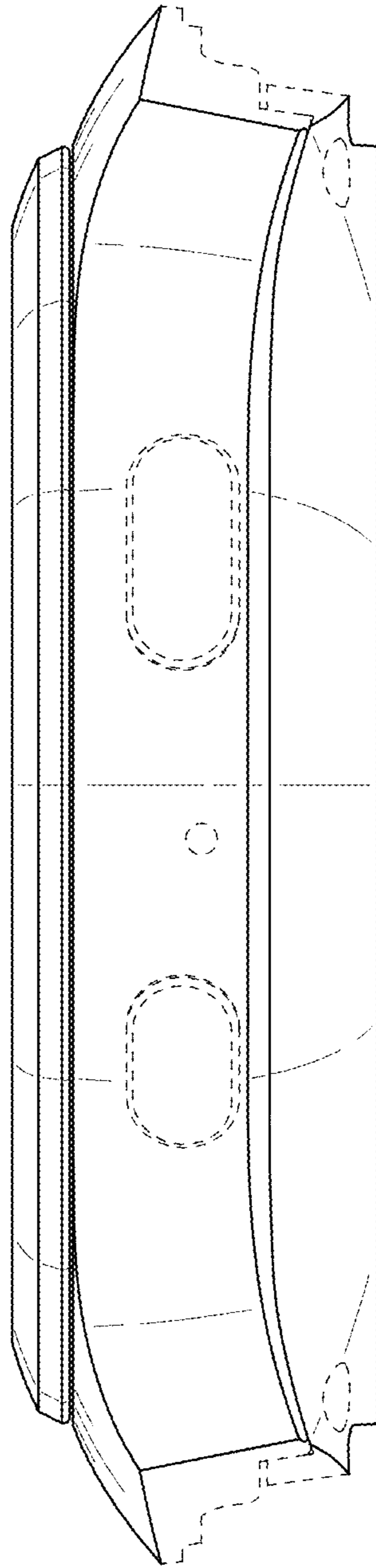


FIG. 6

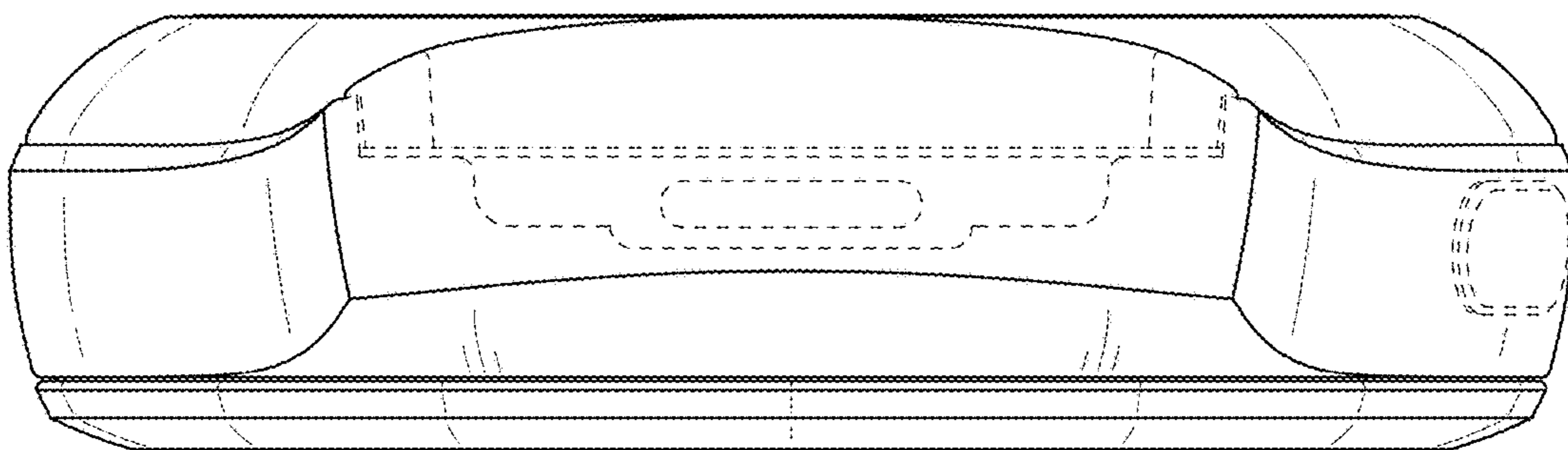


FIG. 7

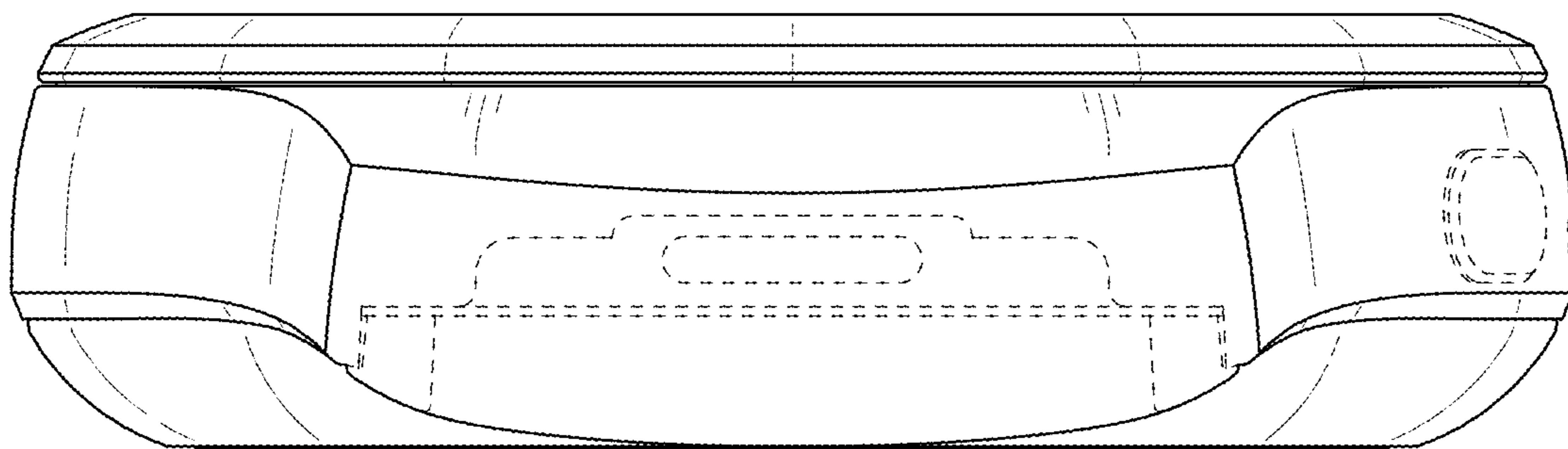


FIG. 8

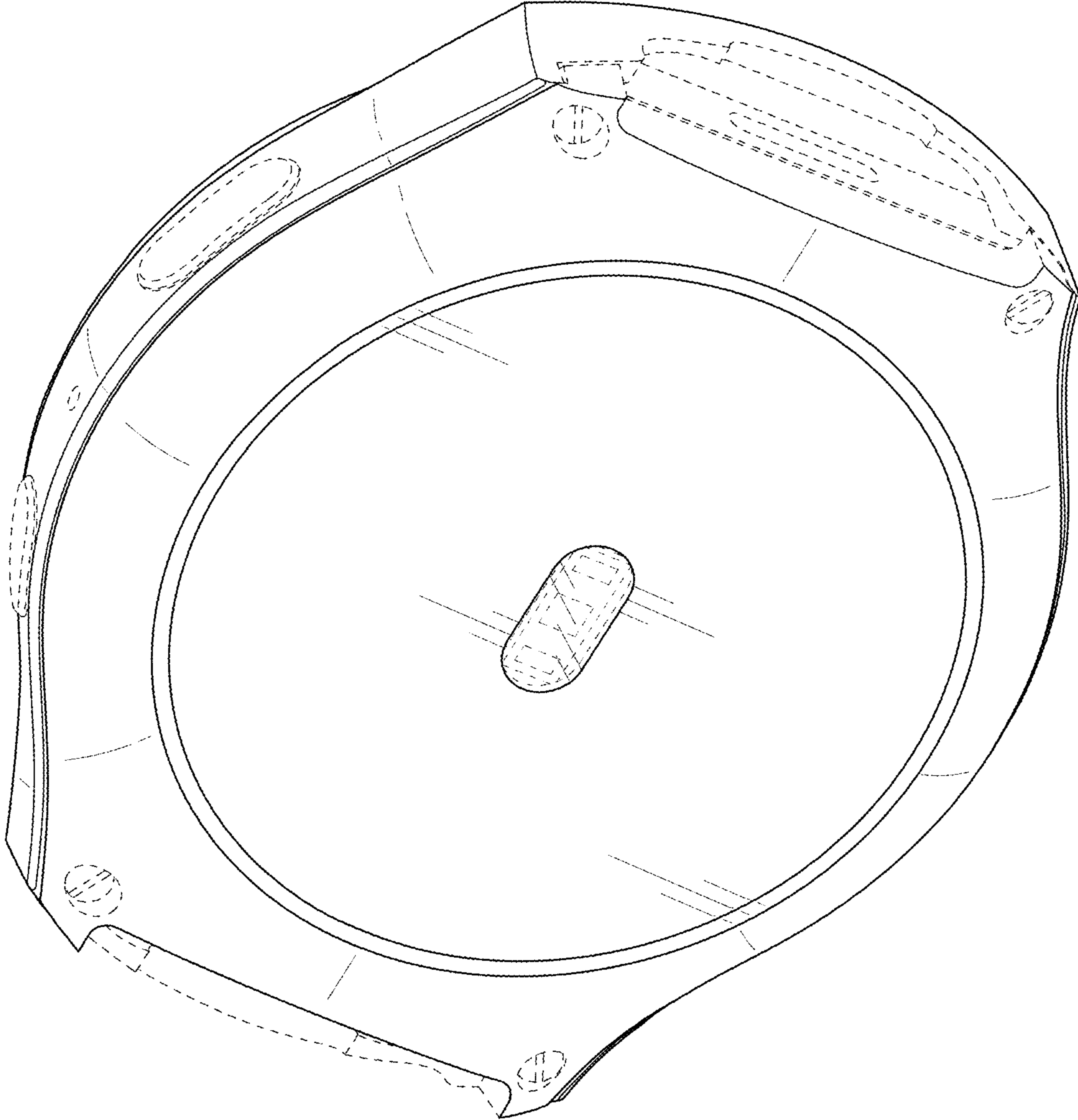


FIG. 9

