



US00D807349S

(12) **United States Design Patent**
Lee

(10) **Patent No.:** **US D807,349 S**
(45) **Date of Patent:** **** Jan. 9, 2018**

(54) **COMBINED PEN AND ELECTRONIC DEVICE**

(71) Applicant: **Samsung Electronics Co., Ltd., Suwon-si (KR)**

(72) Inventor: **Junyoung Lee, Seoul (KR)**

(73) Assignee: **SAMSUNG ELECTRONICS CO., LTD., Suwon-si (KR)**

(**) Term: **15 Years**

(21) Appl. No.: **29/543,882**

(22) Filed: **Oct. 29, 2015**

(51) **LOC (11) Cl.** **14-02**

(52) **U.S. Cl.**
USPC **D14/342; D14/341**

(58) **Field of Classification Search**
USPC D14/341, 342, 138 R, 138 AA, 411
CPC G06F 1/1626; G06F 1/16; H04M 1/00; H04M 1/03
See application file for complete search history.

(56) **References Cited**

U.S. PATENT DOCUMENTS

| | | | | |
|----------------|---------|-------------|-------|------------------------|
| D360,195 S * | 7/1995 | Kimbrough | | D14/342 |
| D413,308 S * | 8/1999 | Nelson | | D14/341 |
| D466,115 S * | 11/2002 | Hawkins | | D14/341 |
| D513,749 S * | 1/2006 | Schlieffers | | D14/346 |
| D515,085 S * | 2/2006 | Schlieffers | | D14/346 |
| D528,527 S * | 9/2006 | Lee | | D14/138 AB |
| D529,909 S * | 10/2006 | Daw | | D14/346 |
| D531,177 S * | 10/2006 | Okanoya | | D14/346 |
| 7,181,256 B2 * | 2/2007 | Hyun | | H04M 1/0216 345/173 |
| D568,310 S * | 5/2008 | Franck | | D14/240 |
| D573,970 S * | 7/2008 | Park | | D14/138 AA |
| D574,850 S * | 8/2008 | Zimman | | D14/496 |
| D583,810 S * | 12/2008 | Chen | | D14/315 |
| D586,801 S * | 2/2009 | Mincoelli | | D14/341 |

| | | | | |
|--------------|---------|--------|-------|------------|
| D591,743 S * | 5/2009 | Corley | | D14/138 AA |
| D598,893 S * | 8/2009 | Asai | | D14/188 |
| D603,823 S * | 11/2009 | Chon | | D14/138 AA |
| D606,539 S * | 12/2009 | Liao | | D14/138 AD |
| D615,520 S * | 5/2010 | Kim | | D14/138 AA |
| D615,955 S * | 5/2010 | Oh | | D14/138 AA |
| D627,778 S * | 11/2010 | Akana | | D14/341 |
| D638,014 S * | 5/2011 | Chong | | D14/336 |
| D638,015 S * | 5/2011 | Chong | | D14/336 |

(Continued)

Primary Examiner — Barbara Fox

(74) *Attorney, Agent, or Firm* — McAndrews Held & Malloy, Ltd.

(57) **CLAIM**

The ornamental design for a combined pen and electronic device, as shown and described.

DESCRIPTION

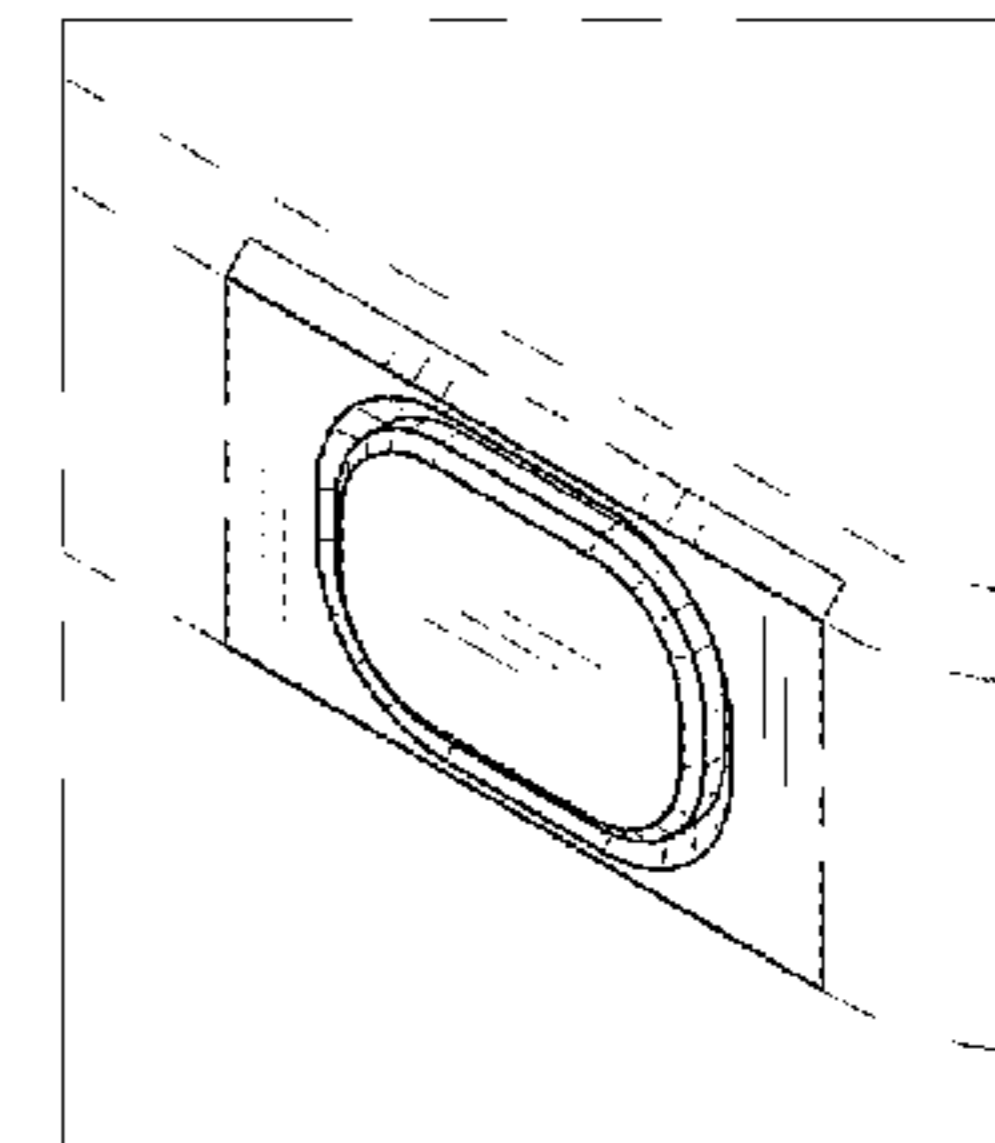
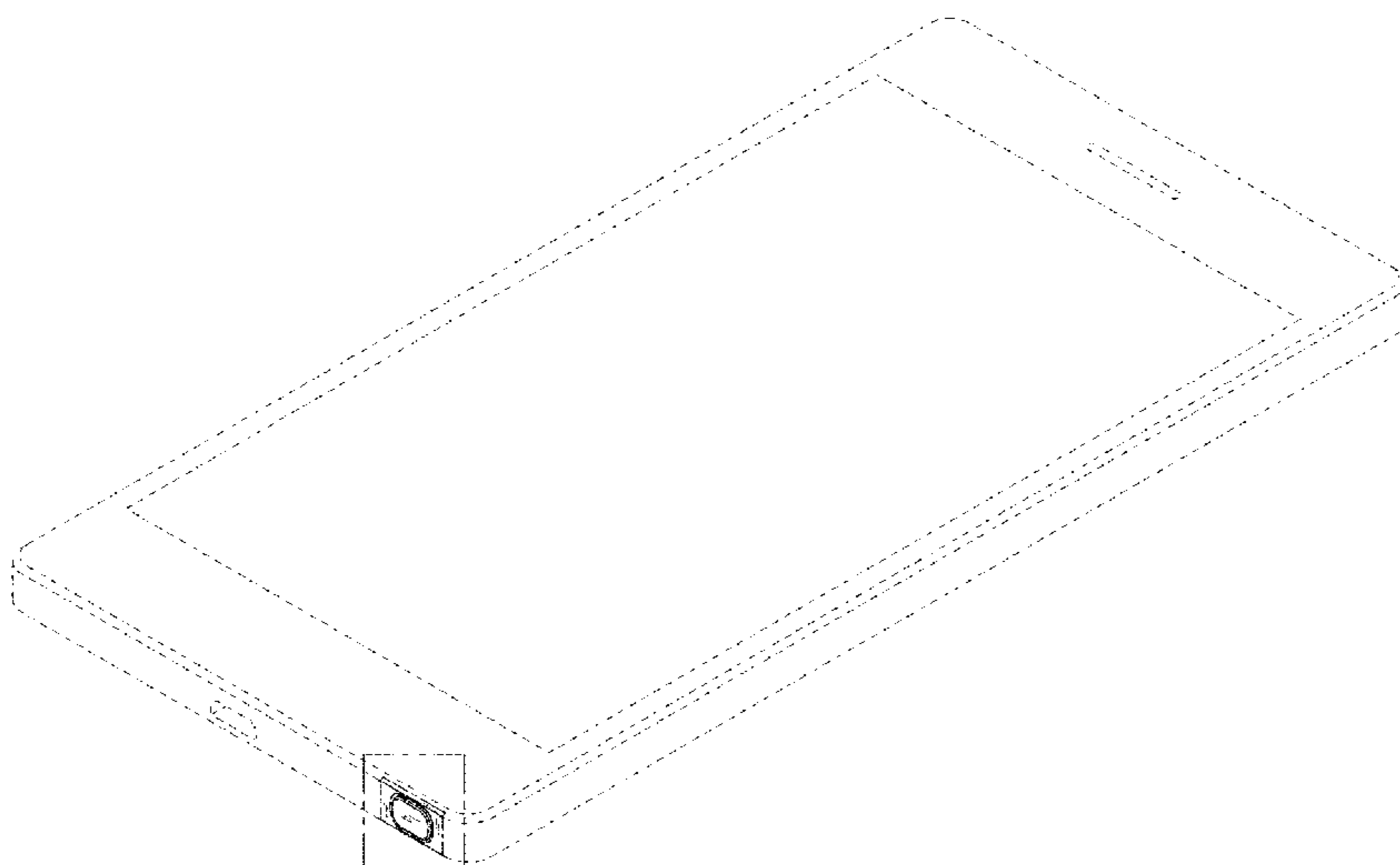
FIG. 1 is a bottom perspective view of a combined pen and electronic device showing my new design; FIG. 2 is a front elevation view thereof; FIG. 3 is a rear elevation view thereof; FIG. 4 is a left-side elevation view thereof; FIG. 5 is a right-side elevation view thereof; FIG. 6 is a top plan view thereof; FIG. 7 is a bottom plan view thereof; and, FIG. 8 is an enlarged bottom perspective view of the portion encircled in FIG. 1.

The evenly spaced broken lines shown in the drawings illustrate portions of the electronic device that form no part of the claimed design.

The dot-dash broken lines shown in the drawings illustrate a boundary line that forms no part of the claimed design.

The dot-dot-dash broken lines shown in the drawings delineate portions of the claimed design in FIGS. 1 and 8 that are illustrated in enlarged views and form no part of the claimed design.

1 Claim, 5 Drawing Sheets



(56)

References Cited

U.S. PATENT DOCUMENTS

D652,015 S * 1/2012 Han D14/138 AA
 D655,292 S * 3/2012 Nakata D14/411
 D675,182 S * 1/2013 He D14/138 AA
 D675,186 S * 1/2013 Han D14/138 AA
 D676,014 S * 2/2013 Chung D14/138 AA
 D682,242 S * 5/2013 Yoo D14/138 AA
 D686,590 S * 7/2013 Cho D14/138 AA
 D688,645 S * 8/2013 Cho D14/138 AA
 D696,664 S * 12/2013 Iida D14/342
 D701,183 S * 3/2014 Son D14/125
 D709,477 S * 7/2014 Hirota D14/138 AA
 D709,851 S * 7/2014 Cai D14/138 AA
 D716,796 S * 11/2014 Clegg D14/341
 D716,814 S * 11/2014 Nakata D14/411
 D717,757 S * 11/2014 Cho D14/138 AA
 D720,326 S * 12/2014 Chao D14/138 AA
 D720,716 S * 1/2015 Bonar D14/138 AA
 D721,348 S * 1/2015 Plaschke D14/138 AA
 D722,116 S * 2/2015 Gottschalk D21/332
 D734,749 S * 7/2015 Chen D14/341
 D737,815 S * 9/2015 Finney D14/138 G
 D740,281 S * 10/2015 Kim D14/341
 D745,002 S * 12/2015 Sohn D14/341
 D745,510 S * 12/2015 Lee D14/341

D748,623 S * 2/2016 Guo D14/341
 D758,361 S * 6/2016 Yeo D14/341
 D760,217 S * 6/2016 Akana D14/341
 D762,207 S * 7/2016 Akana D14/341
 D763,846 S * 8/2016 Lee D14/341
 D763,847 S * 8/2016 Lee D14/341
 D767,562 S * 9/2016 Jang D14/341
 D771,620 S * 11/2016 Kim D14/341
 D778,905 S * 2/2017 Akana D14/341
 D780,175 S * 2/2017 Jung D14/341
 D780,748 S * 3/2017 Wang D14/138 G
 D783,602 S * 4/2017 Akana D14/341
 D783,604 S * 4/2017 Wesolek D14/341
 D785,617 S * 5/2017 Bidwell D14/341
 D792,394 S * 7/2017 Lee D14/341
 2008/0094292 A1 * 4/2008 Su H01Q 1/242
 343/702
 2009/0128521 A1 * 5/2009 Chen G06F 1/1626
 345/179
 2010/0110043 A1 * 5/2010 Lu G06F 1/1626
 345/179
 2011/0133997 A1 * 6/2011 Lee H01Q 1/244
 343/702
 2011/0254781 A1 * 10/2011 Liang G06F 3/03545
 345/173

* cited by examiner

FIG. 1

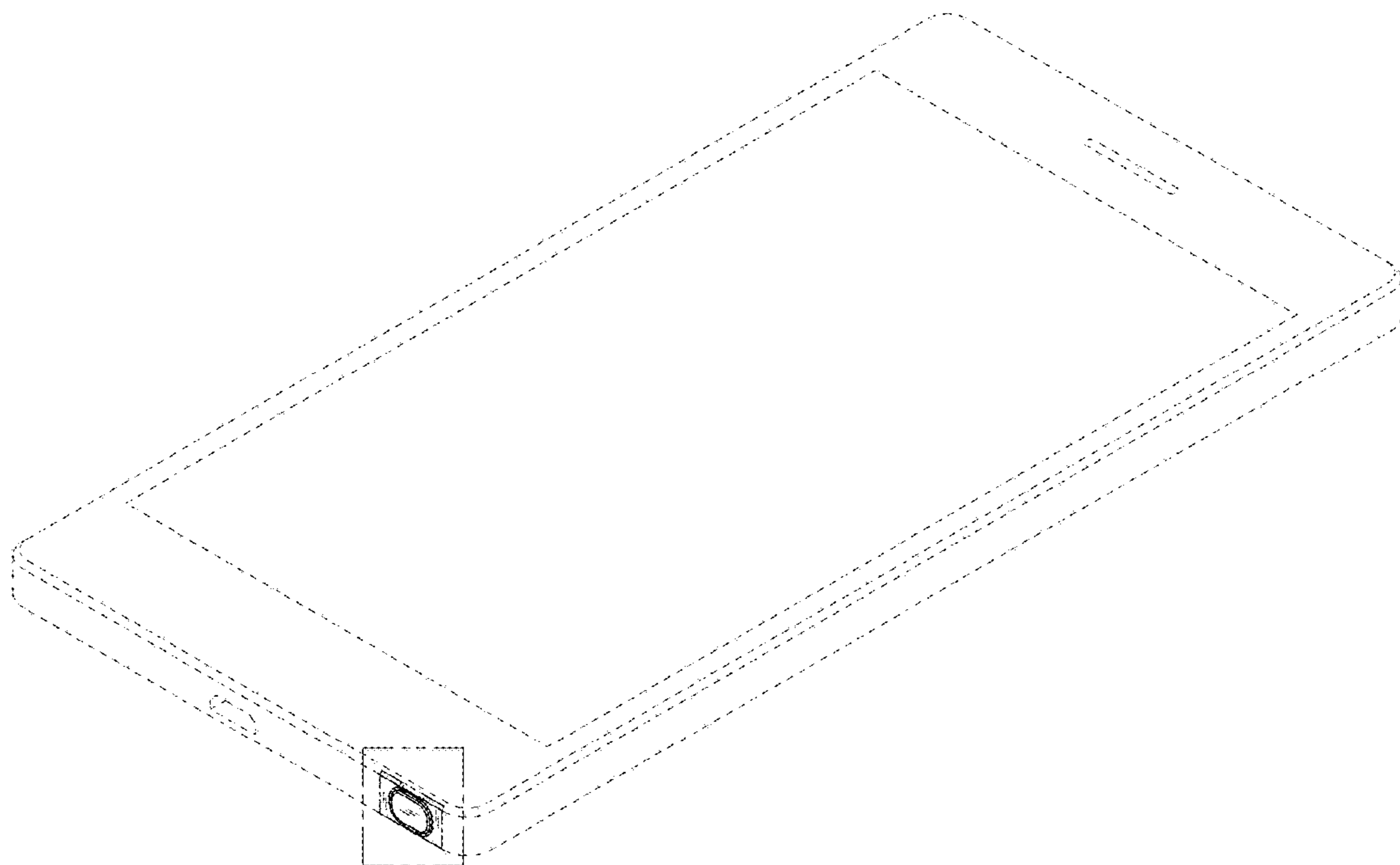


FIG. 2

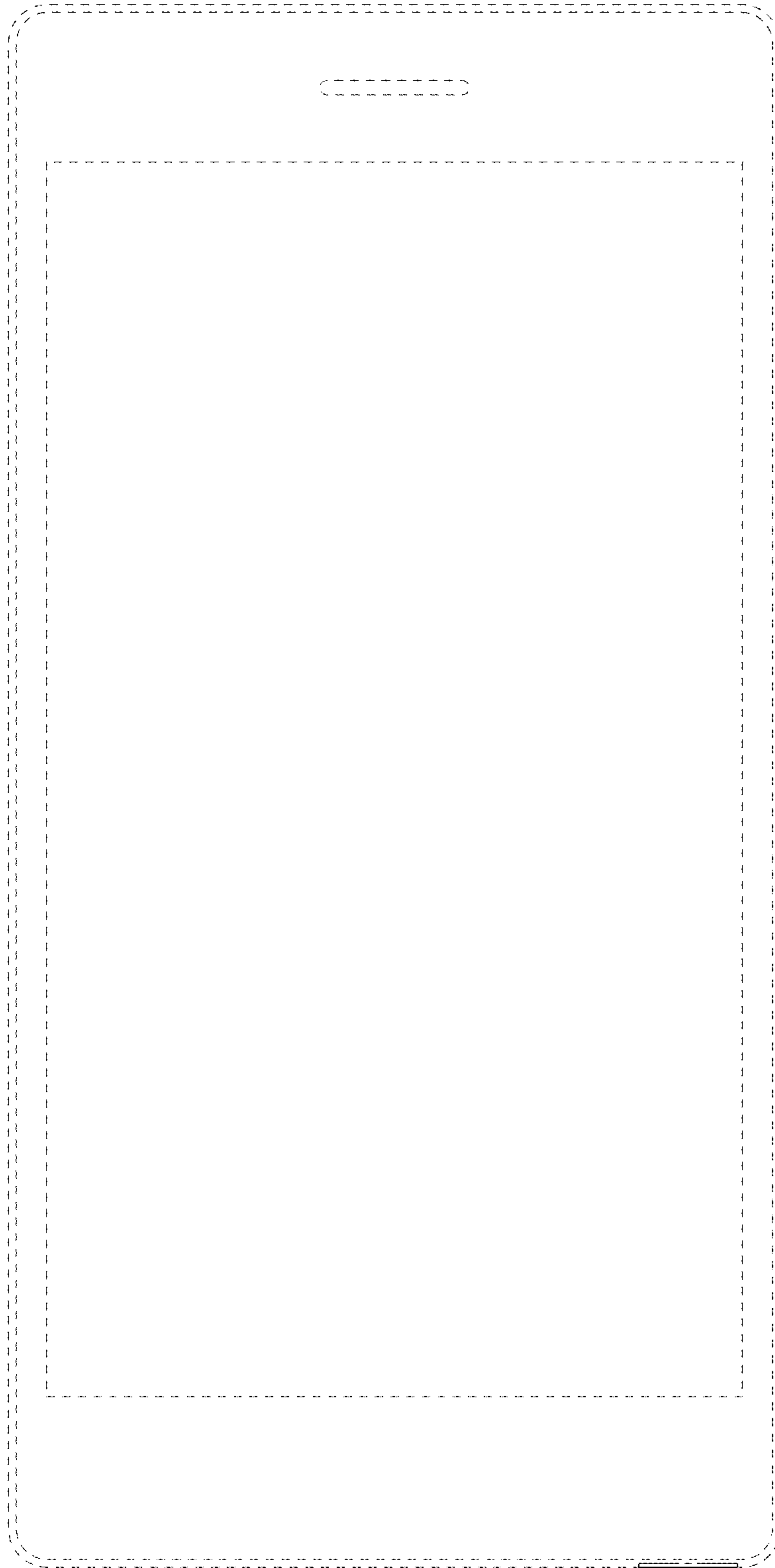


FIG. 3

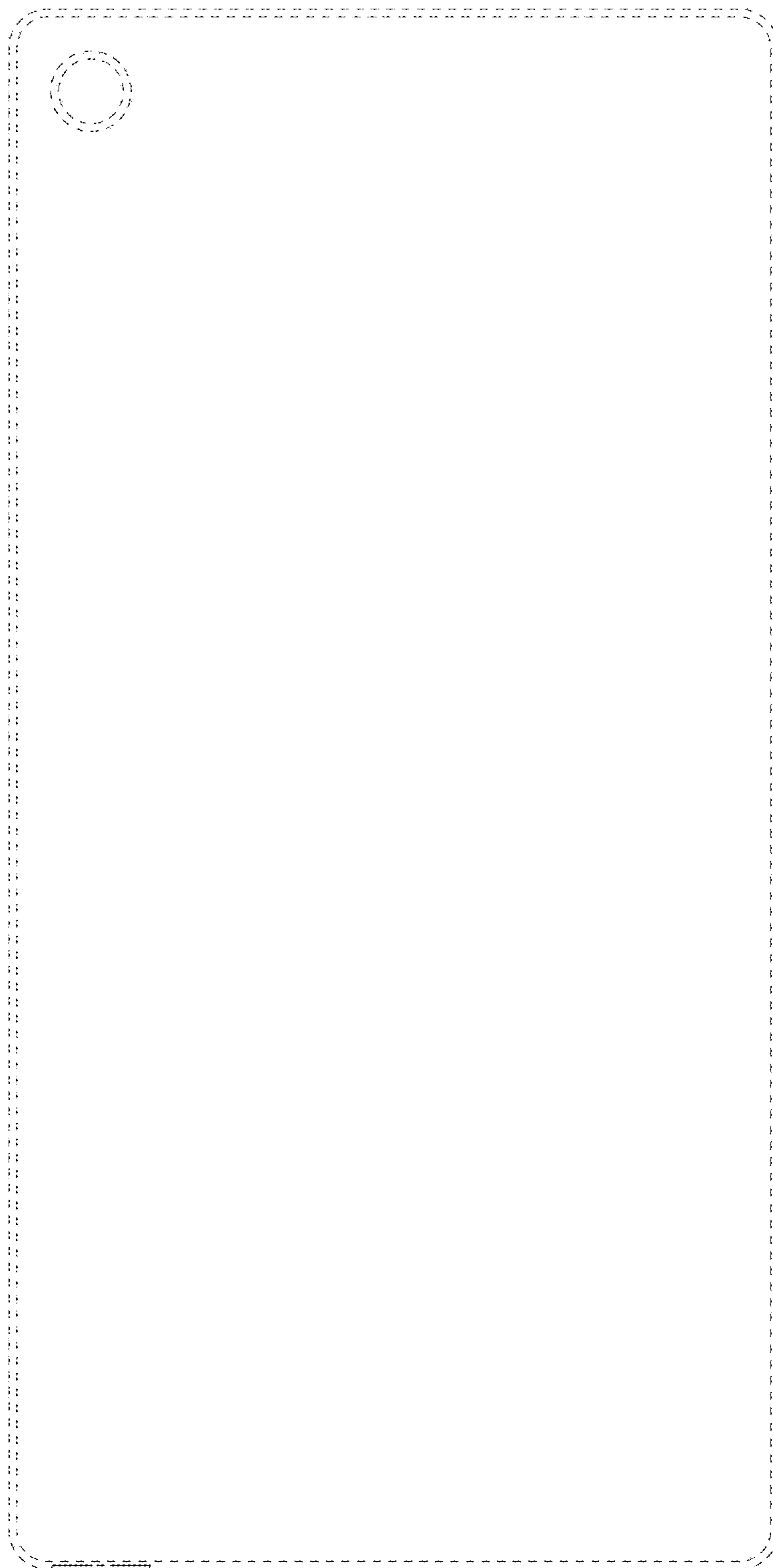


FIG. 4

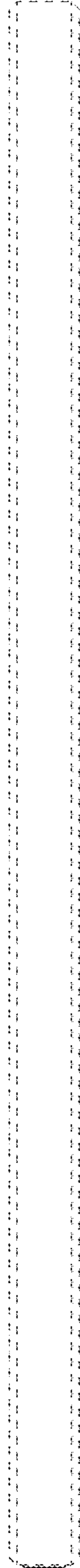


FIG. 5

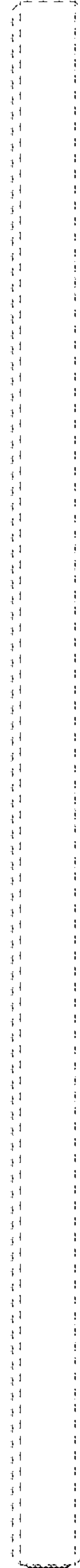


FIG. 6

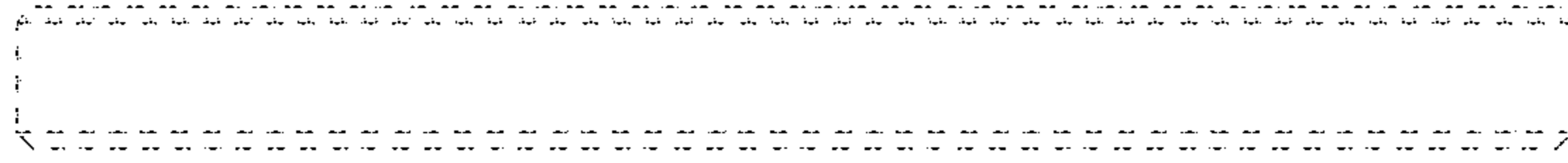


FIG. 7

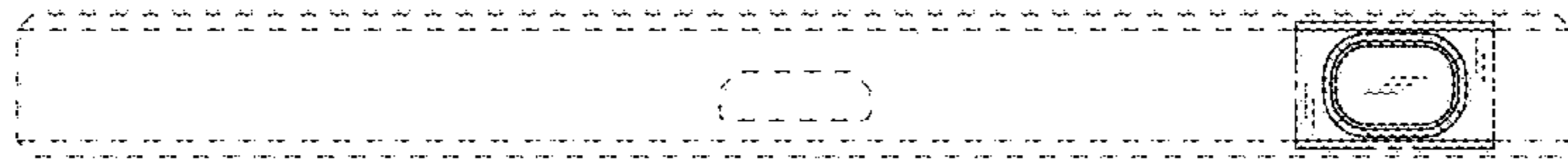


FIG. 8

