



US00D807342S

(12) **United States Design Patent**
Chang et al.

(10) **Patent No.:** **US D807,342 S**
(45) **Date of Patent:** **** Jan. 9, 2018**

(54) **INFORMATION HANDLING SYSTEM**

(71) Applicant: **Dell Products L.P.**, Round Rock, TX
(US)

(72) Inventors: **Sheng-Kuo Chang**, Taipei (TW); **Paul J. Doczy**, Austin, TX (US)

(73) Assignee: **Dell Products L.P.**, Round Rock, TX
(US)

(**) Term: **15 Years**

(21) Appl. No.: **29/583,655**

(22) Filed: **Nov. 8, 2016**

(51) **LOC (11) Cl.** **14-02**

(52) **U.S. Cl.**
USPC **D14/315**

(58) **Field of Classification Search**
USPC D14/315-327; D18/1, 2, 7, 11;
235/145 A, 145 R; 341/22, 23; 345/104,
345/156, 168, 169, 173; 361/679.08,
361/679.09, 679.11, 679.26, 679.27
CPC G06F 1/16; G06F 1/1616; G06F 1/1626;
G06F 1/1632; G06F 1/1613; G06F
1/1601; G06F 1/1618; G06F 1/162; G06F
1/166; G06F 1/1654; G06F 1/1681; G06F
1/1637; G06F 1/1688; G06F 1/1656;
H01R 35/02; H03M 11/00; G09B 13/04;
H03K 17/94; G09G 5/00; F16M 11/10;
H05K 5/00; H04M 1/0237
See application file for complete search history.

(56) **References Cited**

U.S. PATENT DOCUMENTS

D615,539 S * 5/2010 Jen D14/315
D617,789 S * 6/2010 Akana D14/318
D624,911 S * 10/2010 Lee D14/315

D676,041 S * 2/2013 McManigal D14/315
D714,777 S * 10/2014 Chang D14/315
D719,149 S * 12/2014 Matsuoka D14/318
D743,390 S * 11/2015 Lyles D14/315
D756,351 S * 5/2016 Sun D14/315
D762,638 S * 8/2016 Chang D14/315

OTHER PUBLICATIONS

Lenovo, Robust Hinge for Greater Strength and Flexibility, down-
loaded Apr. 4, 2017.

* cited by examiner

Primary Examiner — Freda S Nunn

(74) *Attorney, Agent, or Firm* — Terrile, Cannatti,
Chambers & Holland, LLP; Stephen A. Terrile

(57) **CLAIM**

We claim the ornamental design for an information handling
system, as shown and described.

DESCRIPTION

FIG. 1 is a front perspective view of the information
handling system in a closed position comprising the present
invention;

FIG. 2 is a front view thereof in a closed position;

FIG. 3 is a rear view thereof in a closed position;

FIG. 4 is a right side view thereof in a closed position;

FIG. 5 is a left side view thereof in a closed position;

FIG. 6 is a top view thereof;

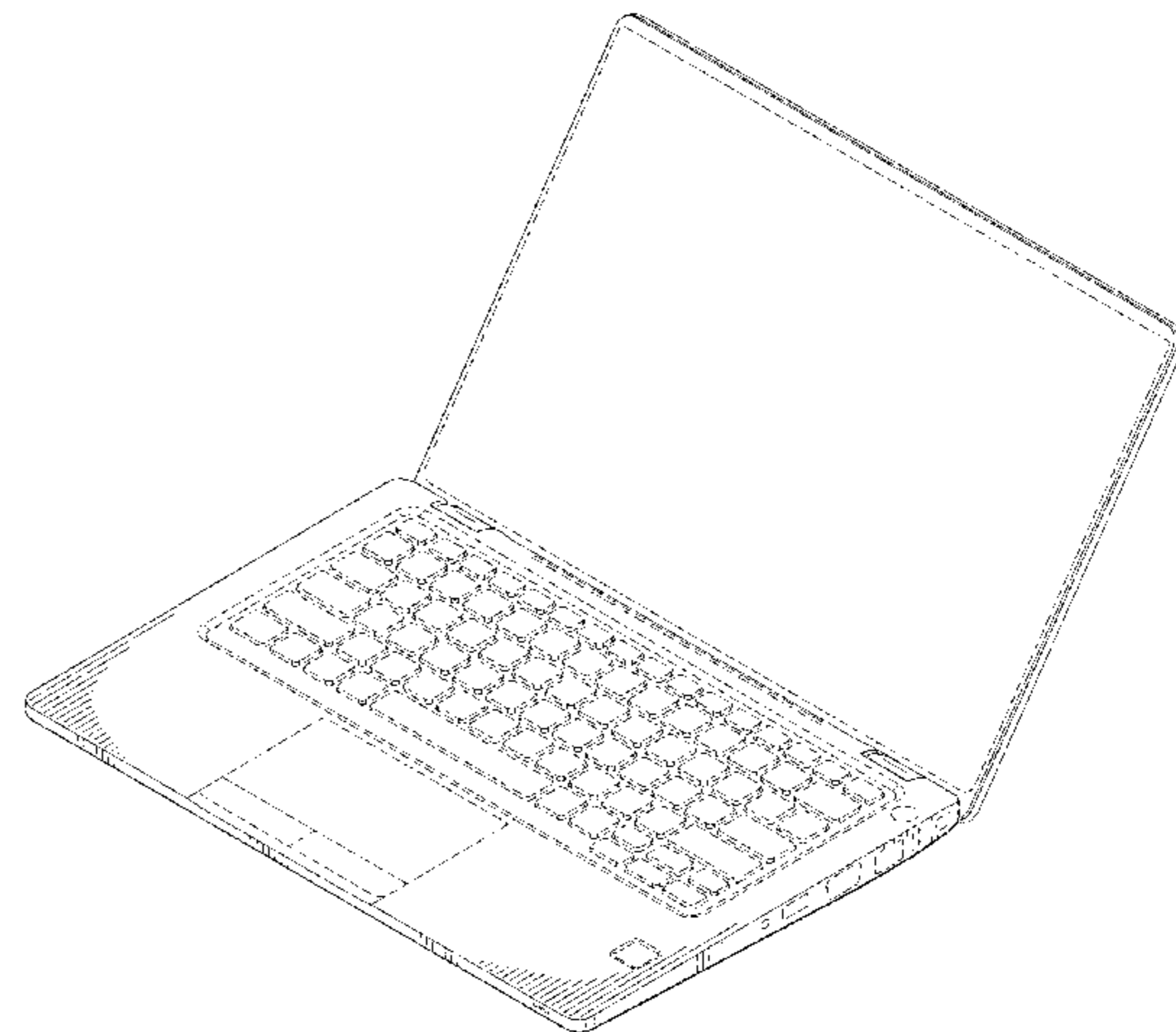
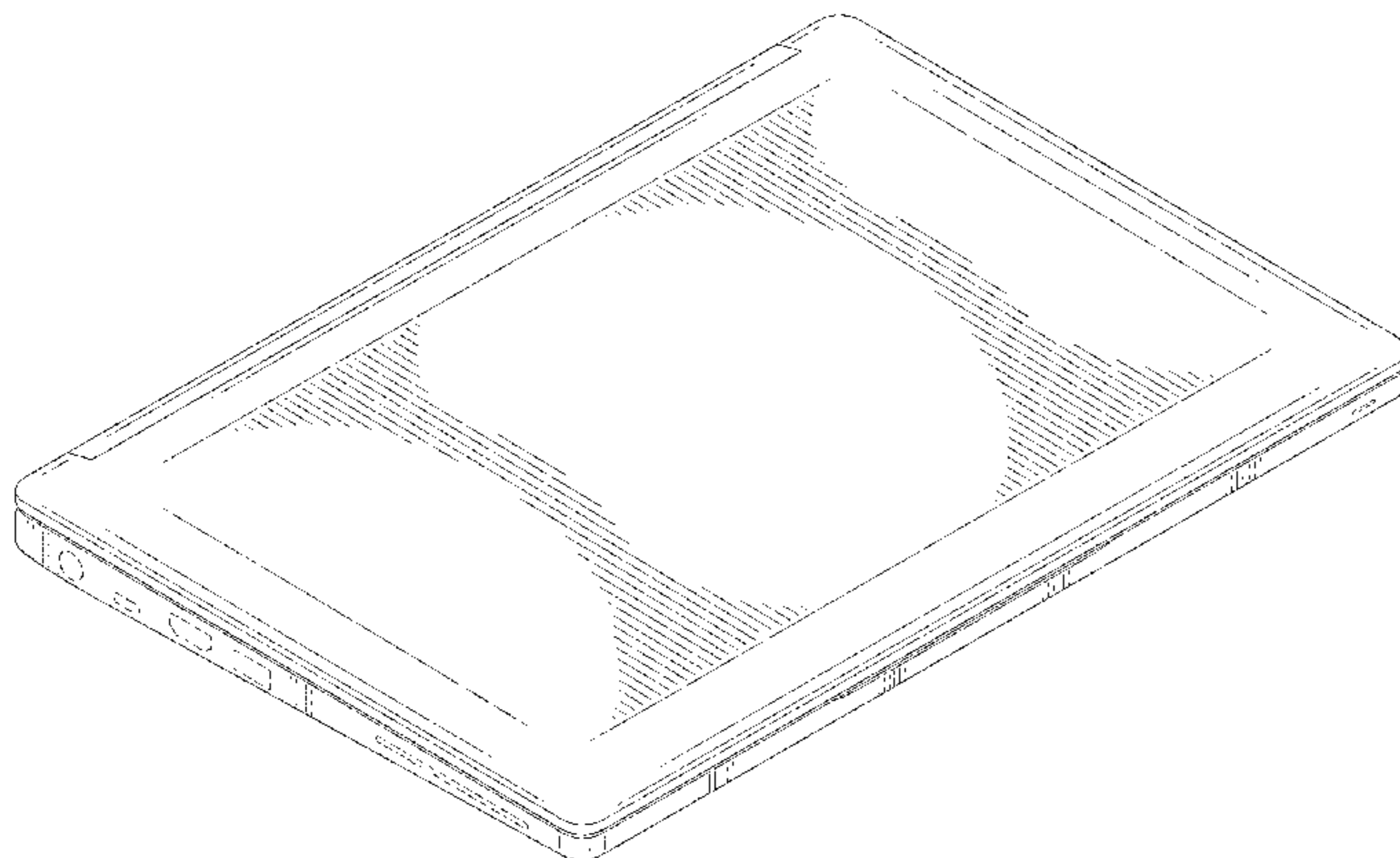
FIG. 7 is a bottom view thereof;

FIG. 8 is a bottom perspective view thereof; and,

FIG. 9 is a front perspective view thereof in an open
position.

Broken lines shown in the drawings illustrate portions of the
information handling system, and form no part of the
claimed design.

1 Claim, 7 Drawing Sheets



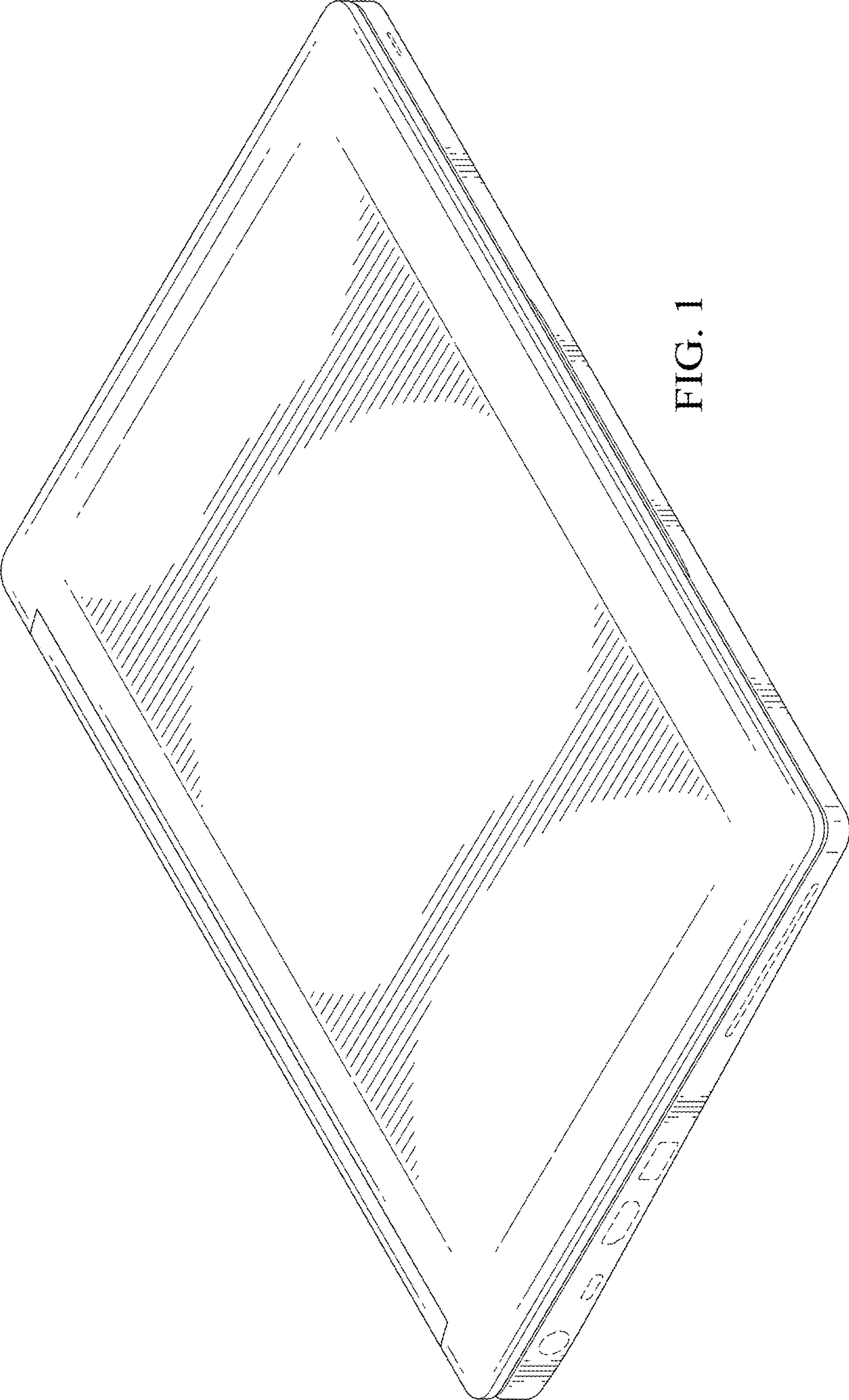


FIG. 1

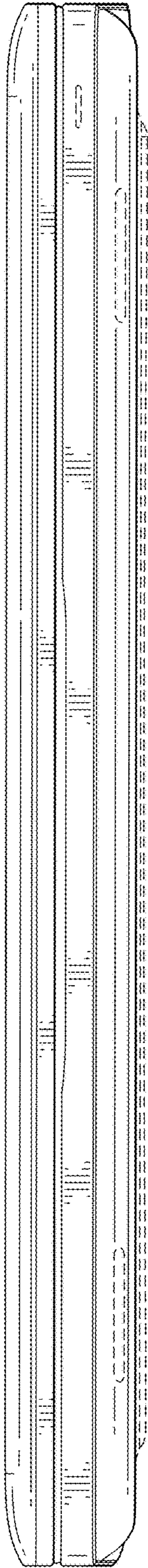


FIG. 2



FIG. 3

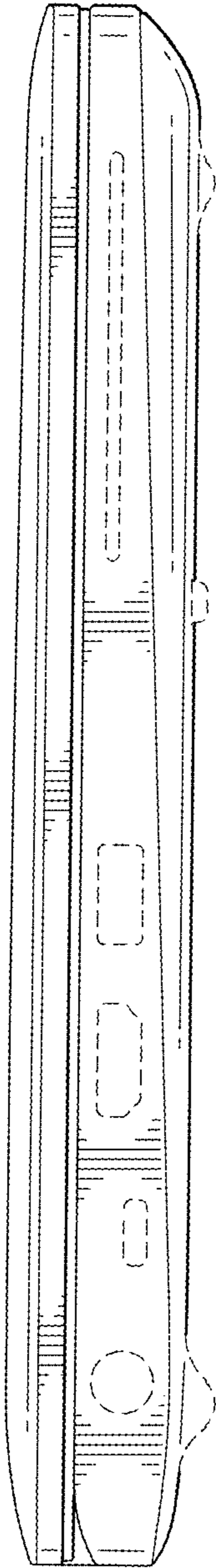


FIG. 4

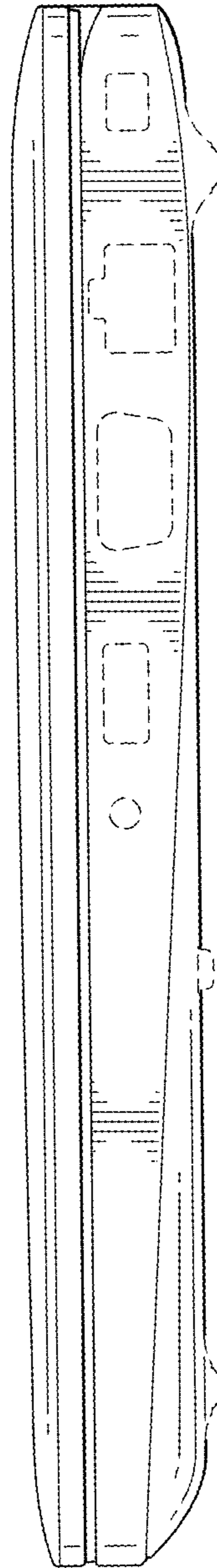


FIG. 5

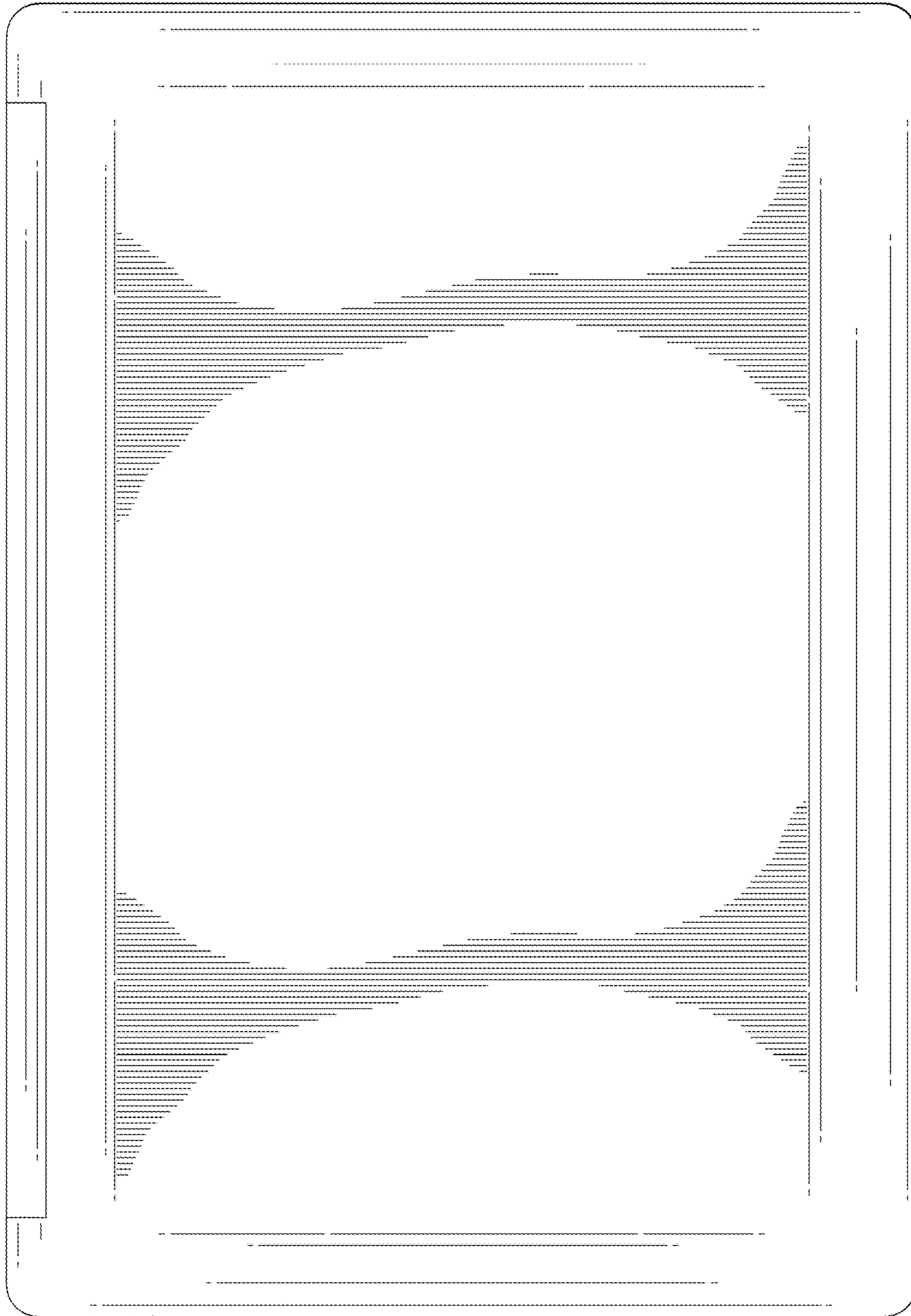


FIG. 6

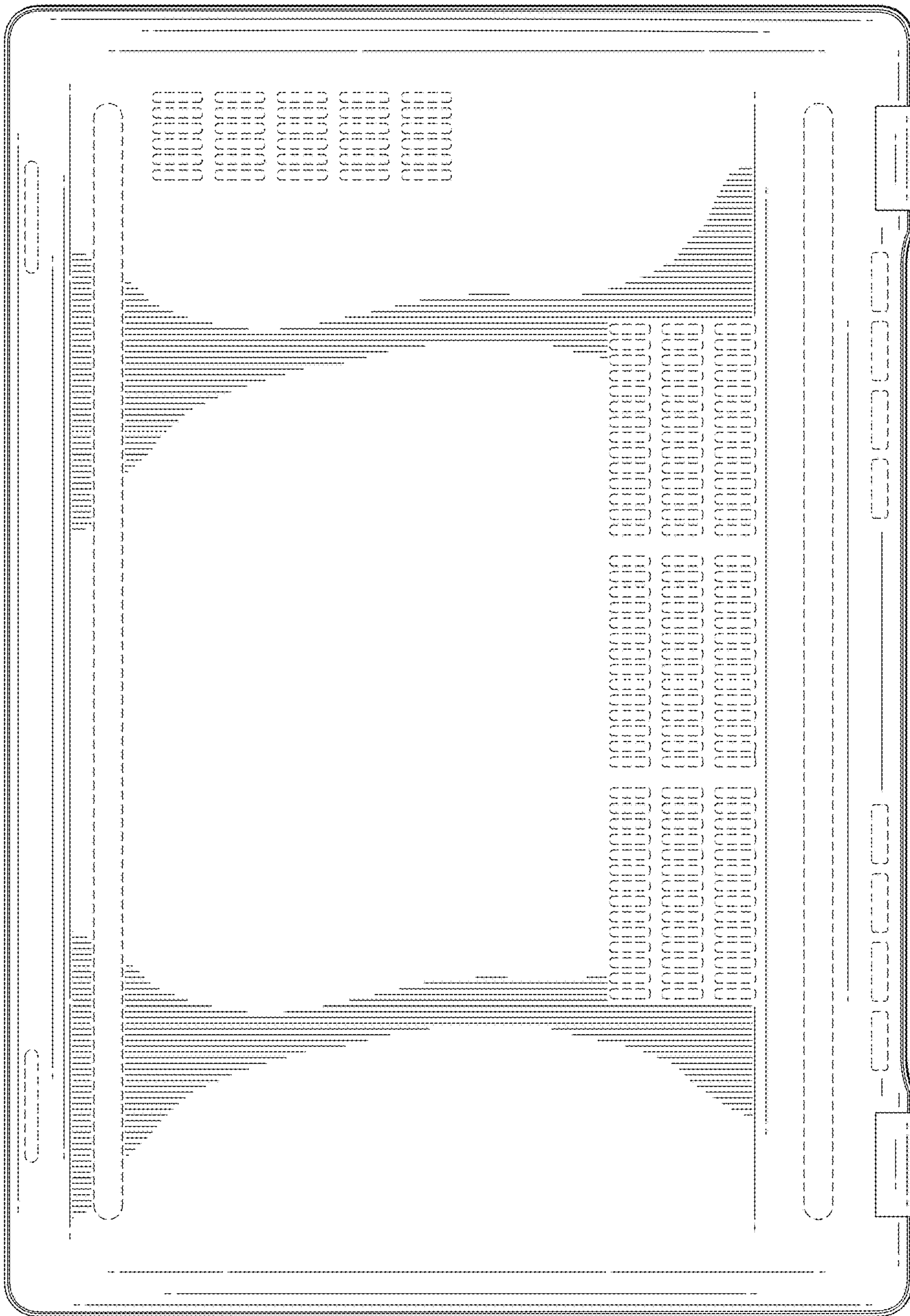


FIG. 7

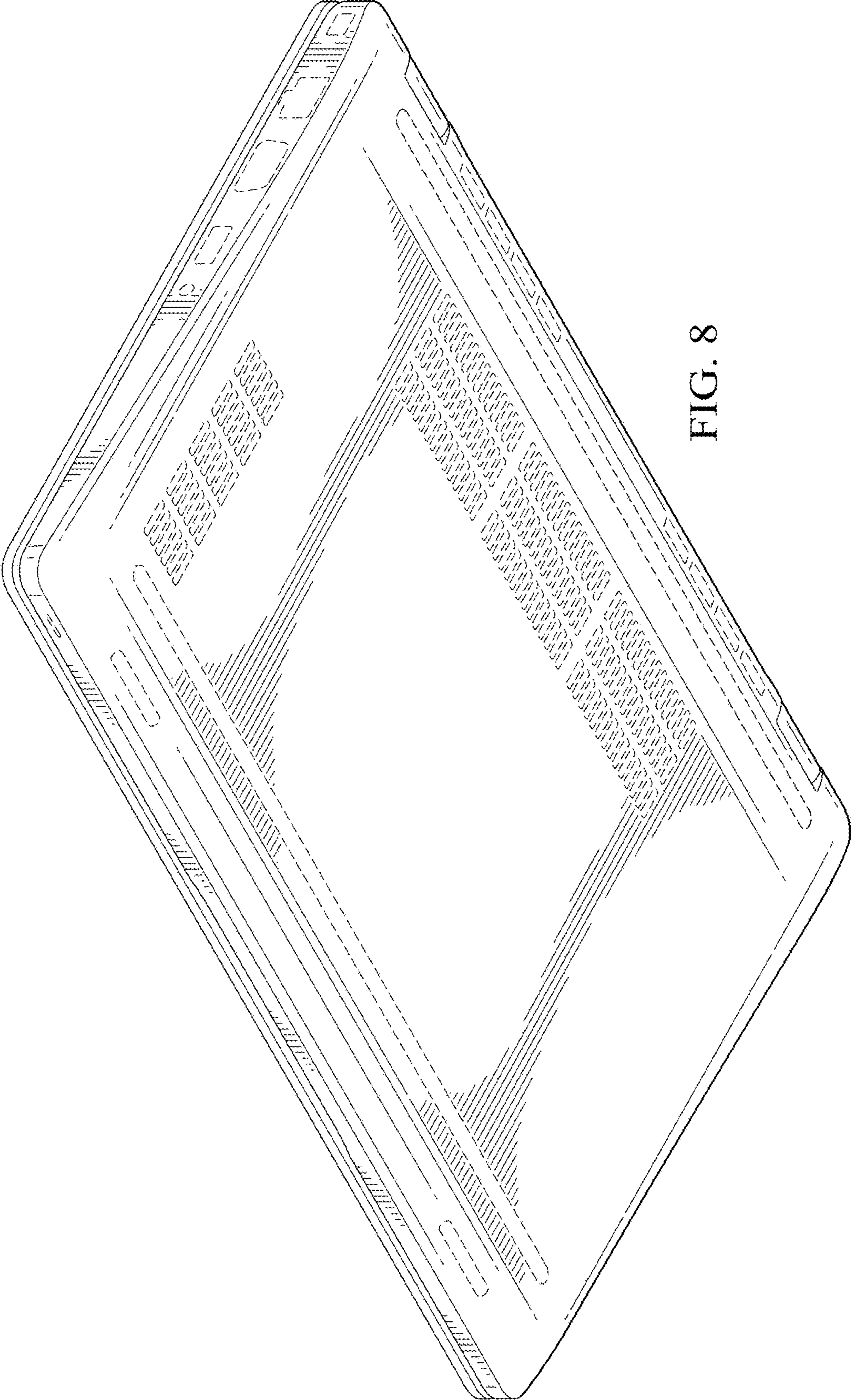


FIG. 8

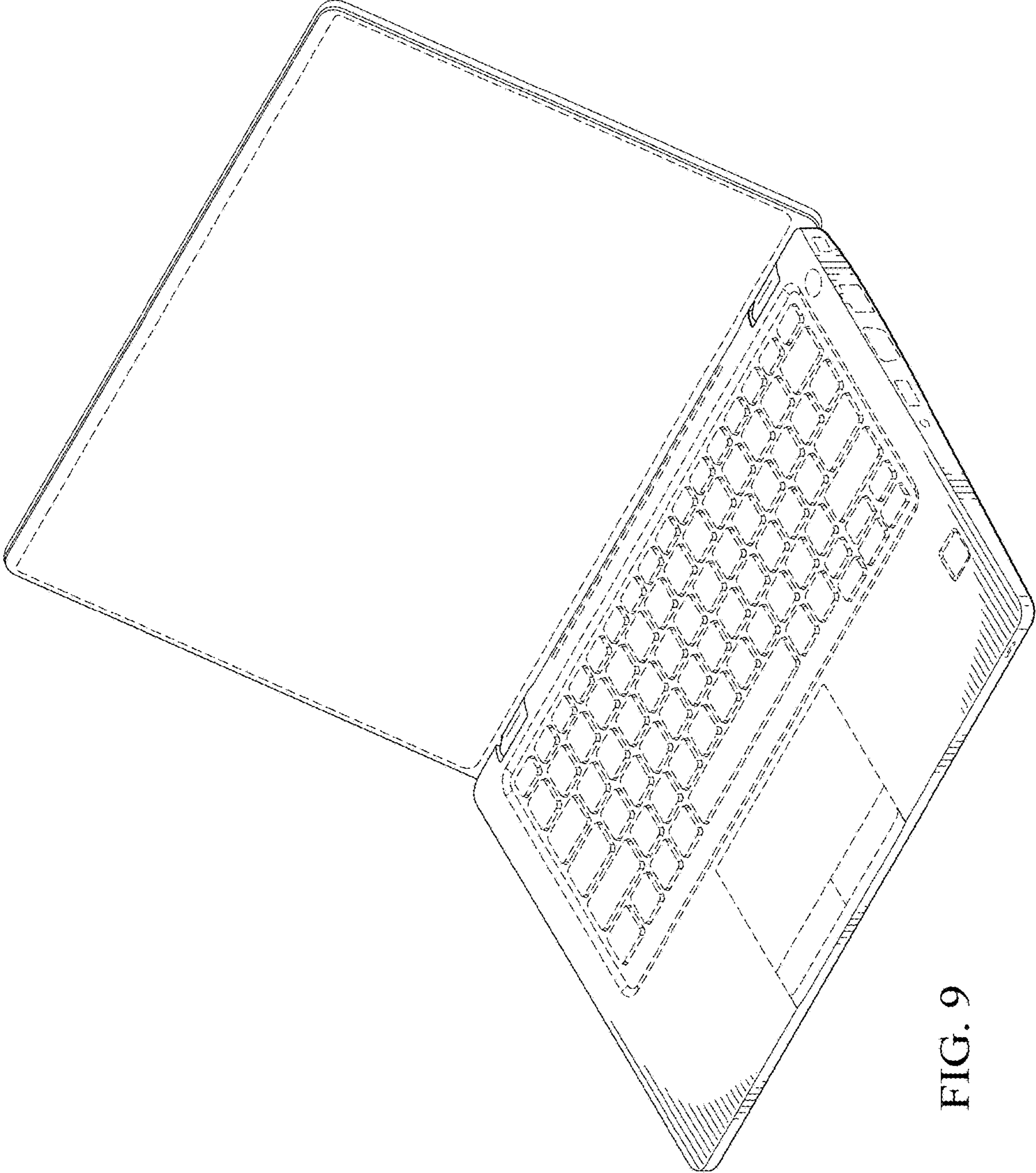


FIG. 9